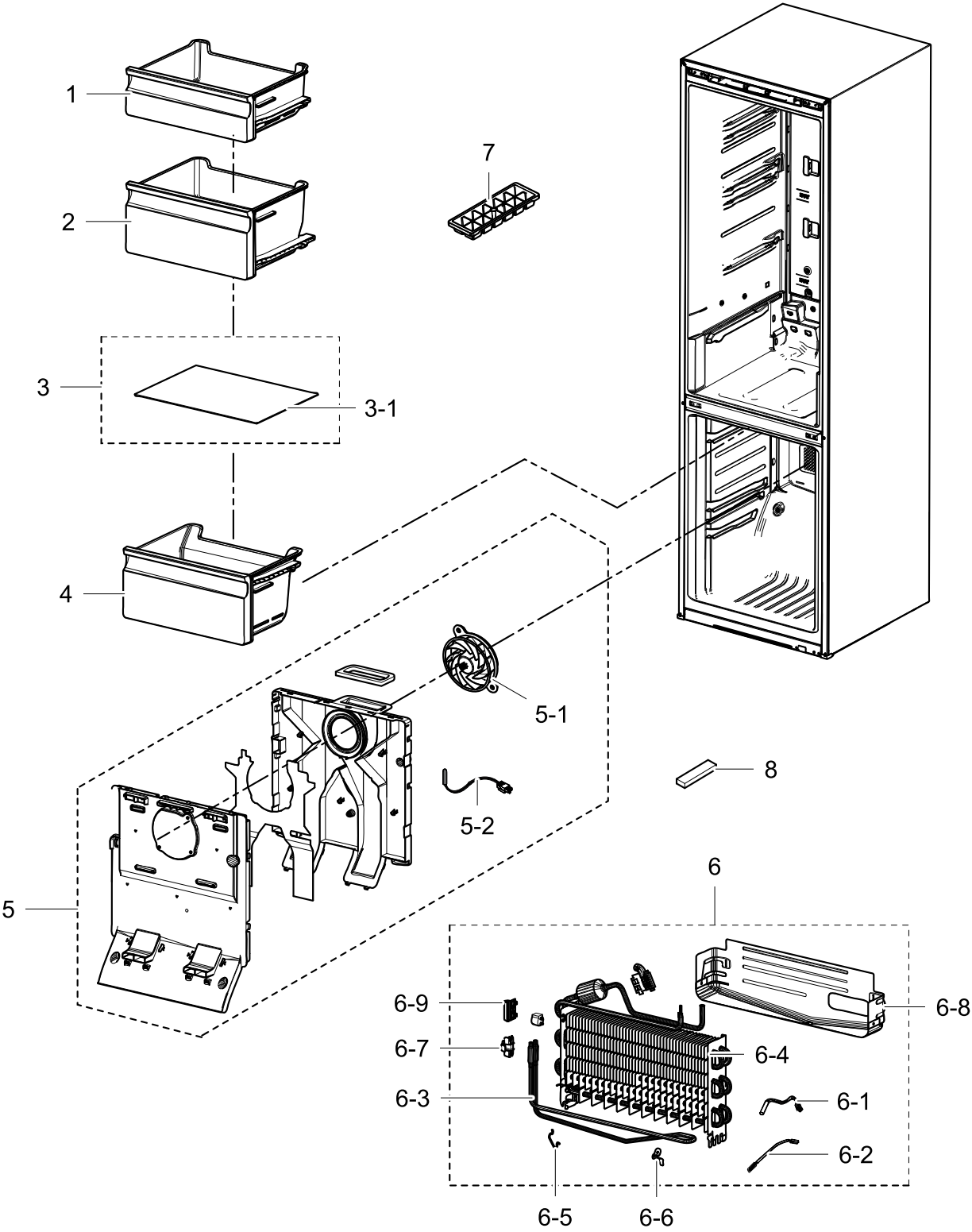


1. Freezer

Exploded View

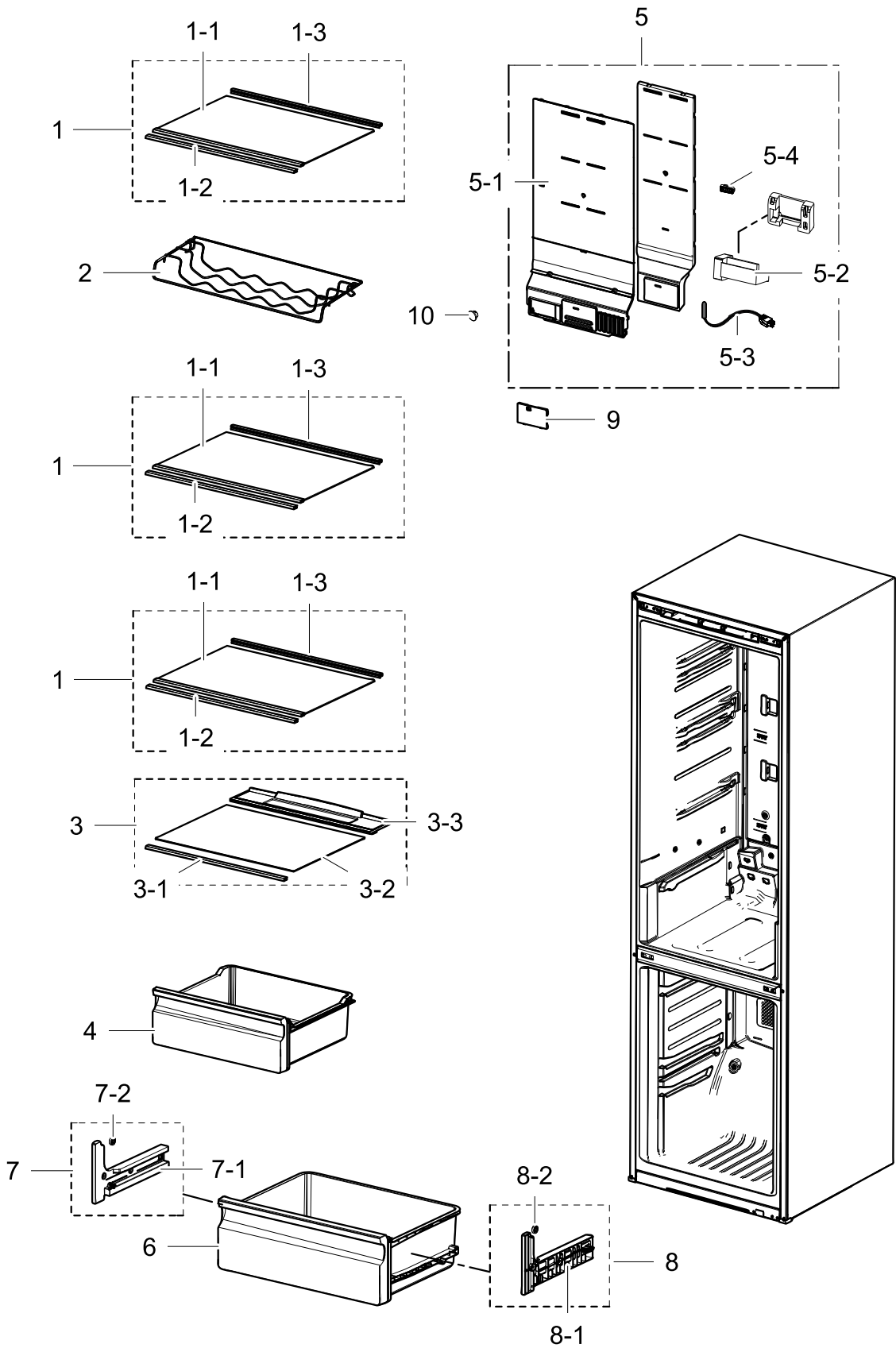


Parts List

| No. | Lvl. | Loc. | Material Code | Description & Specification | SNA | Qty. |
|-----|------|-------|---------------|--|-----|------|
| 1 | 2 | M0121 | DA97-13480A | ASSY TRAY-FRE UPP; 3050,W479.1,L394.3 | SA | 1 |
| 2 | 2 | G0268 | DA97-13472A | ASSY TRAY-FRE MID; 3050,W466.3,H227.0 | SA | 1 |
| 3 | 2 | | DA97-15985A | ASSY SHELF GLASS-FRE; RL31/29,NO TRIMS | SA | 1 |
| 3-1 | 3 | A0720 | DA67-03645N | GLASS-SHELF FRE; RL310/290,TEMPERED GLASS | SNA | 1 |
| 4 | 2 | G0267 | DA97-13475A | ASSY TRAY-FRE LOW; 3050,W466.2 | SA | 1 |
| 5 | 2 | M0303 | DA97-19096A | ASSY COVER EVAP-FRE; 3050.,NTR,NATURAL | SA | 1 |
| 5-1 | 3 | | DA31-00334C | MOTOR BLDC FAN; 12035GE-12M-YT,17757%,1 | SA | 1 |
| 5-2 | 3 | A1018 | DA32-10105X | SENSOR TEMP; PX-41C,502AT,DKST1329GW,QUEE | SA | 1 |
| 6 | 2 | A0163 | DA96-01009C | ASSY EVAP-FRE; 3050-BMF | SA | 1 |
| 6-1 | 3 | A1018 | DA32-00006D | SENSOR TEMP; PX-41C,502AT,DKST1329GW,EXPO | SNA | 1 |
| 6-2 | 3 | A1008 | DA47-00301D | THERMO FUSE-ASSY; AC250V,10A,109~110??S | SA | 1 |
| 6-3 | 3 | A0921 | DA47-00460A | HEATER METAL SHEATH; AC230V,3050 BMF, 352 | SA | 1 |
| 6-4 | 3 | A0742 | DA59-00555A | EVAP FRE; FIN TUBE,AL,3050-PJT | SNA | 1 |
| 6-5 | 3 | | DA61-02526A | FIXER-EVAP FRE,SUB; NEXT,AL,2.0,-,- | SNA | 1 |
| 6-6 | 3 | M9010 | DA61-03644A | PLATE-EVAP HEATER; AW-PJT,Al,T0.7 | SA | 1 |
| 6-7 | 3 | G0205 | DA61-07410A | FIXER-HEATER FRE; NW2,PP,NATURAL,BJ750 | SA | 1 |
| 6-8 | 3 | A0754 | DA61-08936A | PLATE-DRAIN; 3050,GI-SGCC,T0.3 | SA | 1 |
| 6-9 | 3 | A0744 | DA61-07411A | FIXER-FUSE; NW2,PP,NATURAL,BJ750 | SA | 1 |
| 7 | 2 | A0120 | DA67-40146B | TRAY ICE; SR-1500,PP,HB,COOL WHITE | SA | 1 |
| 8 | 2 | | DA72-60040W | SEAL-CUTT RUBBER; TD-PJT,BUTYL RUBBER,BLA | SA | 1 |

2. Refrigerator

Exploded View

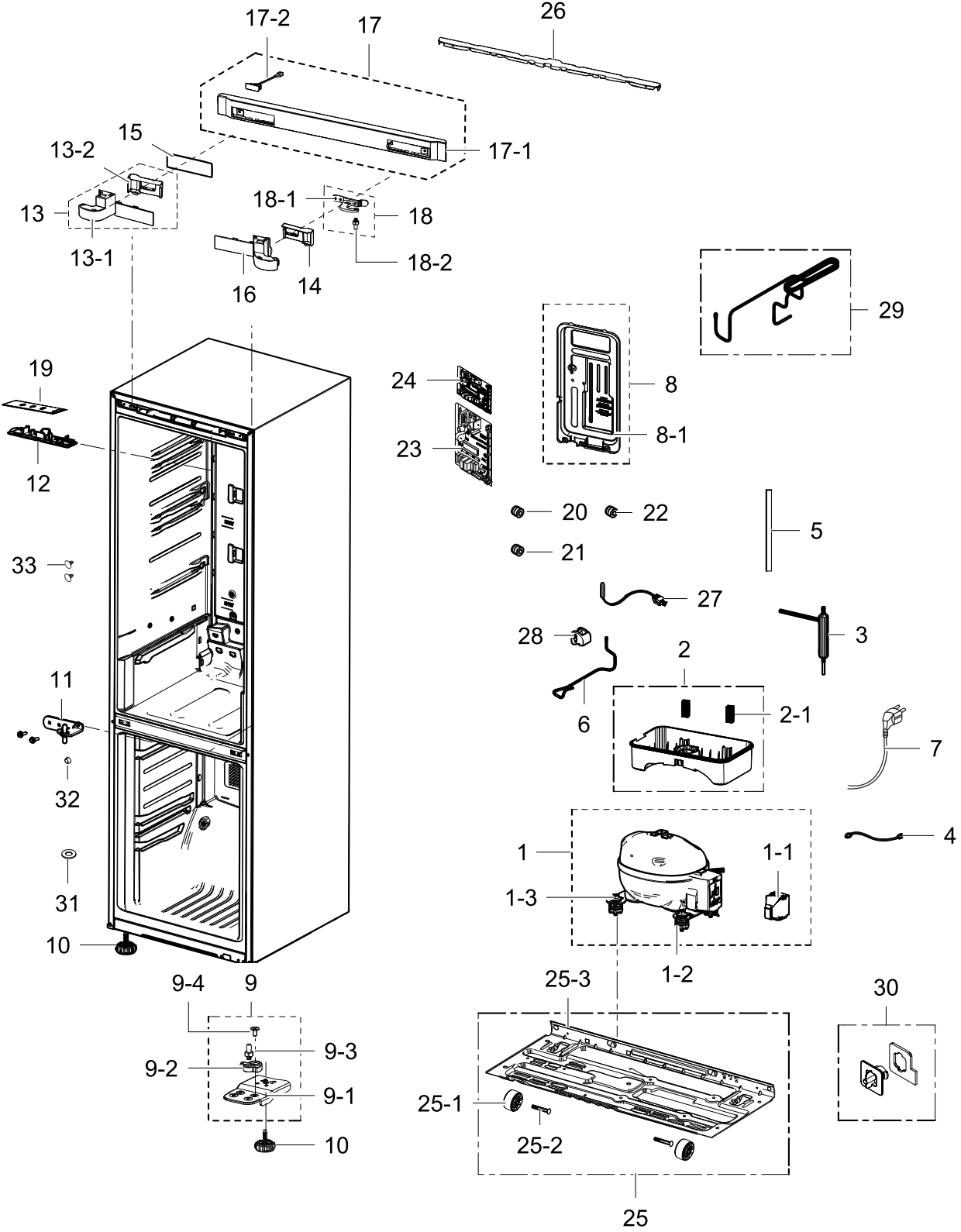


Parts List

| No. | Lvl. | Loc. | Material Code | Description & Specification | SNA | Qty. |
|-----|------|-------|---------------|--|-----|------|
| 1 | 2 | | DA97-13502G | ASSY SHELF GLASS-REF; RL31/29 BEST,SILVER | SA | 3 |
| 1-1 | 3 | A0720 | DA67-03645K | GLASS-SHELF REF; RL310/290,TEMPERED GLASS | SNA | 3 |
| 1-2 | 3 | | DA64-04407A | TRIM SHELF-FRONT; RT320,HIPS,HIPS+SOFT UR | SA | 3 |
| 1-3 | 3 | | DA64-04395A | TRIM SHELF-REAR; RT320,ABS,SV-0157,COOL W | SNA | 3 |
| 2 | 2 | | DA75-00313B | RACK WINE; 3050-BMF,-,MSWR,6,503,304,natu | SC | 1 |
| 3 | 2 | | DA97-13550C | ASSY SHELF VEG; RB5000,SILVER TRIM | SA | 1 |
| 3-1 | 3 | | DA64-04407C | TRIM SHELF-FRONT VEG; RL31/29,HIPS,HIPS+S | SNA | 1 |
| 3-2 | 4 | A0720 | DA67-03645M | GLASS-SHELF VEG; RL310/290,TEMPERED GLASS | SNA | 1 |
| 3-3 | 3 | | DA67-03652A | SHELF-VEG; RL310/290,ABS,COOL WHITE | SNA | 1 |
| 4 | 2 | M0236 | DA97-13474A | ASSY CASE-VEG LOW; 3050,W479.2,H175,6 | SA | 1 |
| 5 | 2 | G0239 | DA97-15458A | ASSY COVER MULTI-REF; RB5000J,A+,A++ | SA | 1 |
| 5-1 | 3 | | DA97-15720A | ASSY COVER MULTI; RB5000J | SNA | 1 |
| 5-2 | 3 | G0242 | DA31-00043F | MOTOR DC-DAMPER; -,CORE-PJT,Max 60mA,-,-, | SA | 1 |
| 5-3 | 3 | A1018 | DA32-00011E | SENSOR TEMP; PX-41C,TD-PJT,-40~110 5V | SA | 1 |
| 5-4 | 3 | | DA63-07761A | GROMMET FIXER; RF-H920G,RUBBER,BLACK | SA | 1 |
| 6 | 2 | | DA97-13473B | ASSY CASE VEG-UP; 3050-2M | SA | 1 |
| 7 | 2 | M0110 | DA97-13599A | ASSY RAIL-VEG L; 3050_BMF | SA | 1 |
| 7-1 | 3 | | DA61-09032A | RAIL-VEG L; 3050,HIPS,COOL WHITE,454N | SNA | 1 |
| 7-2 | 3 | | DA66-10104A | ROLLER-FRE; POM,D22,NATURAL | SNA | 2 |
| 8 | 2 | M0111 | DA97-13598A | ASSY RAIL-VEG R; 3050_BMF | SA | 1 |
| 8-1 | 3 | | DA61-09037A | RAIL-VEG R; 3050,HIPS,COOL WHITE,454N | SNA | 1 |
| 8-2 | 3 | | DA66-10104A | ROLLER-FRE; POM,D22,NATURAL | SNA | 2 |
| 9 | 2 | | DA63-06337A | COVER-CONV MULTI; GRAND CRU,PP,HB,COOL WH | SA | 1 |
| 10 | 2 | A0270 | DA67-30266K | CAP SCREW; A-TOP,PP,T1.5,HB,BJ750,COOL WH | SA | 1 |

3. cabinet

Exploded View



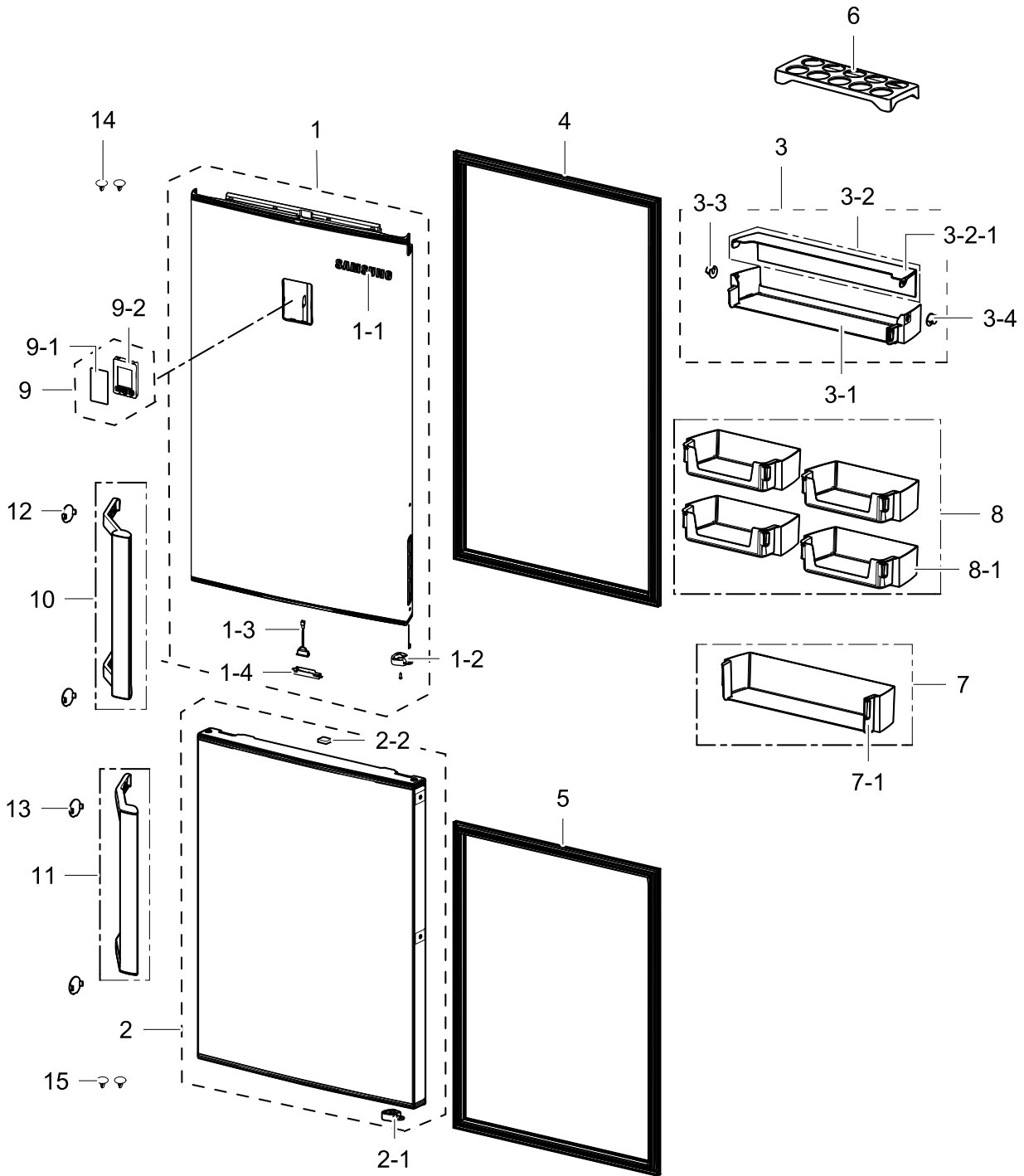
Parts List

| No. | Lvl. | Loc. | Material Code | Description & Specification | SNA | Qty. |
|------|------|-------|----------------|---|-----|------|
| 1 | 2 | | NC4MVA1ALP/TT3 | CMP,COMP,REFRIGERATOR,R-600A; CMP,COMP,REFRIGERATOR,R-600A | | 1 |
| 1-1 | 3 | Z1032 | DA63-06122A | COVER RELAY; MSV,MPPO,T2,BLACK,V-0 | SA | 1 |
| 1-2 | 3 | Z1112 | DA63-02617A | GROMMET COMP; USP05,EPDM,OD27.0,BLACK | SA | 4 |
| 1-3 | 3 | A0564 | 6011-004061 | BOLT-HEX; M6,L43.6,SWRCH10A | SNA | 4 |
| 2 | 2 | A0749 | DA97-13658A | ASSY TRAY-DRAIN WATER; 3050_LMF(RB29/31), | SA | 1 |
| 2-1 | 3 | | DA63-08036B | GROMMET-LOW; PVC,GRAY | SA | 2 |
| 3 | 2 | A0669 | DA62-04309C | DRYER; Cu,118,SINGLE MOUTH,6g | SA | 1 |
| 4 | 2 | A0562 | DA39-20389A | ASSY WIRE HARNESS-EARTH; ALL,FREE VOLT,UL | SA | 1 |
| 5 | 2 | A0523 | DA73-10190U | PIPE-CONNECT DISC,B; ALL,Cu,C1220T,OD6.35 | SA | 1 |
| 6 | 2 | | DA62-04325A | PIPE CONNECT; 3050,Cu,C1220T,OD6.35,T0.6 | SA | 1 |
| 7 | 2 | A0273 | 3903-000794 | CBF-POWER CORD; AT,E.U,EU3F,3C,250V,16A,B | SA | 1 |
| 8 | 2 | M0306 | DA97-13562A | ASSY COVER-PCB PANEL; 290, 310,GI,3050 | SA | 1 |
| 8-1 | 3 | | DA63-07420A | COVER-PCB PANEL; BMF,GI-SGCC,T0.5,3050 | SNA | 1 |
| 9 | 2 | A0515 | DA97-13557B | ASSY HINGE LOW; 3050(BMF) | SA | 1 |
| 9-1 | 3 | A0247 | DA61-08990A | HINGE-LOW; 3050PJ,PO-SPHC,T3,LMF | SA | 1 |
| 9-2 | 3 | A0516 | DA61-08991B | GUIDE-AUTO CLOSE; 3050PJ,PA66,HB,HG-0760G | SA | 1 |
| 9-3 | 3 | A0518 | DA66-00385A | SHAFT-HINGE; CORE,SWRCH10A,NATURAL,ZPC3(W) | SA | 2 |
| 9-4 | 3 | A0848 | DA81-01532A | SCREW-MACHINE; BH,+,M5,L12.7,ZPC(WHT),SWR | SA | 1 |
| 10 | 2 | Z1128 | DA61-07546B | LEG-FRONT; GRAND CRU,PP,BLACK,RM60,PP Scr | SA | 2 |
| 11 | 2 | A0513 | DA97-13564A | ASSY HINGE MID; 3050_BMF | SA | 1 |
| 12 | 2 | A0280 | DA63-08570A | COVER LAMP; 3050,GPPS,T2,TP BLUE | SA | 1 |
| 13 | 2 | | DA91-04472A | ASSY INSTALL-ACCESSORY; INOX GRAY | SA | 1 |
| 13-1 | 3 | | DA63-08034A | COVER WIRE-HINGE LEFT; RB5000J,ABS,HB,INO | SA | 1 |
| 13-2 | 3 | | DA67-03988A | CAP SPACE-DOOR LEFT; RB5000J,ABS,T1.8,HB, | SA | 1 |
| 14 | 2 | | DA67-03989A | CAP SPACE-DOOR RIGHT; RB5000J,ABS,T1.8,HB | SA | 1 |
| 15 | 2 | | DA61-08932A | CAP CONTROL-PANEL; 3050,ABS,HB,HG-0760GP, | SA | 1 |
| 16 | 2 | | DA63-08035A | COVER WIRE-HINGE RIGHT; RB5000J,ABS,HB,IN | SA | 1 |
| 17 | 2 | G0022 | DA97-13615A | ASSY COVER CONTROL-PANEL; 3050PJT,ASSY,IN | SA | 1 |

| No. | Lvl. | Loc. | Material Code | Description & Specification | SNA | Qty. |
|------|------|-------|---------------|--|-----|------|
| 17-1 | 3 | A0506 | DA63-07353A | COVER-CONTROL PANEL; 3050,ABS,HB,INOX GRA | SA | 1 |
| 17-2 | 3 | G0068 | DA34-00043A | SWITCH REED; UL1007 AWG 22,100mm,DEM1-B50 | SA | 1 |
| 18 | 2 | A0705 | DA97-13567A | ASSY HINGE UPP; 3050_BMF | SA | 1 |
| 18-1 | 3 | A0510 | DA97-13566A | ASSY HINGE UPP-SUB; 3050_BMF | SA | 1 |
| 18-2 | 3 | A0518 | DA66-00385A | SHAFT-HINGE; CORE,SWRCH10A,NATURAL,ZPC3(W | SA | 2 |
| 19 | 2 | G0090 | DA41-00519R | ASSY LAMP LED; 3ea,CEM-1,FR-4 65*10*1.6T, | SA | 1 |
| 20 | 2 | | DA60-00279A | FITTING-LOKRING 16; SUM23,16, 11SMnPb30K | SA | 1 |
| 21 | 2 | | DA60-00280A | FITTING-LOKRING 33; SUM23,33, 11SMnPb30K | SA | 1 |
| 22 | 2 | | DA60-00281A | FITTING LOKRING; SUM23,ID5.02,11SMnPb30K, | SA | 1 |
| 23 | 1 | A0952 | DA92-00735U | ASSY PCB MAIN; BETTER,RB5000J,148*197,230 | SA | 1 |
| 24 | 1 | | DA92-00459Y | ASSY PCB INVERTER; INVERTER,BMF3050,148*9 | SNA | 1 |
| 25 | 2 | A0526 | DA97-14151A | ASSY CHASSIS COMP; 3050-PJT,GI-SGCC, T0.8 | SA | 1 |
| 25-1 | 3 | A0527 | DA61-06202A | CASTER-REAR; GRAND-CRU,PP,NATURAL | SA | 2 |
| 25-2 | 3 | A0861 | DA60-90146A | PIN-CASTER; SR-289-429,MSWR,L38,ZPC2 | SA | 2 |
| 25-3 | 3 | A0526 | DA97-13454A | ASSY CHASSIS COMP; 3050-PJT,T0.8,RB31 | SC | 1 |
| 26 | 2 | | DA63-08030A | COVER WIRE-DOOR; RB5000J,ABS,T1.8,HB,INOX | SA | 1 |
| 27 | 2 | A1018 | DA32-10105F | SENSOR TEMP; 502AT,PX-41C,DKST1329GW,ACE, | SA | 1 |
| 28 | 2 | | DA63-08103A | GROMMET-PIPE; RB5000J,NBR,BLACK,3ROW | SA | 1 |
| 29 | 2 | | DA97-15658A | ASSY PIPE IMMERSING; RB5000J,3ROW | SA | 1 |
| 30 | 3 | | DA97-17246A | ASSY GROMMET; POLARIS,POM | SA | 4 |
| 31 | 2 | | DA66-00073C | WASHER-SHAFT, C; SR-32,35,PVC,T1.0 | SA | 1 |
| 32 | 2 | | DA67-03725A | CAP SCREW; 3050,PP,HB,INOX GRAY | SA | 1 |
| 33 | 2 | A0297 | DA67-02684A | CAP SCREW; GRAND CRU,ABS,T1,HB,HG-0760GP, | SA | 2 |

4. Door

Exploded View



Parts List

| No. | Lvl. | Loc. | Material Code | Description & Specification | SNA | Qty. |
|-------|------|-------|---------------|--|-----|------|
| 1 | 2 | | DA91-04896A | ASSY DOOR FOAM-REF;RB37*,SS M-DOI,BAR,D | SA | 1 |
| 1-1 | 3 | M0196 | DA64-04020C | MASCOT; ALL,Ni,T0.06,L80 | SA | 1 |
| 1-2 | 5 | | DA66-01011B | LEVER-AUTO CLOSE; 3050PJ,POM,EBONY BLACK, | SA | 2 |
| 1-3 | 5 | | DA34-00043J | SWITCH REED; UL1007 AWG 22,50mm | SA | 1 |
| 1-4 | 5 | G0271 | DA67-02385L | CAP-REED SWITCH; SVETA-PJT,PP,-,NOBLE GRA | SA | 1 |
| 2 | 2 | | DA91-04895A | ASSY DOOR FOAM-FRE;RB37*,SS M-DOI,,BAR H | SA | 1 |
| 2-1 | 5 | | DA66-01011B | LEVER-AUTO CLOSE; 3050PJ,POM,EBONY BLACK, | SA | 2 |
| 2-2 | 5 | A0534 | DA61-03769B | MAGNET; SVETA,FERRITE,1600Gauss | SA | 1 |
| 3 | 2 | A0636 | DA97-15734A | ASSY GUARD DAIRY; 3050,hot stamping | SA | 1 |
| 3-1 | 3 | A0155 | DA63-07404C | GUARD-DAIRY; GPPS,TP BLUE | SA | 1 |
| 3-2 | 3 | | DA97-15731A | ASSY GUARD DAIRY-COVER; 3050,hot stamping | SA | 1 |
| 3-2-1 | 4 | | DA63-08119A | COVER DAIRY; RB5000J,GPPS,T3,TP BLUE,165N | SA | 1 |
| 3-3 | 3 | | DA67-02920A | CAP-HINGE DAIRY R; HERMES,POM,NTR | SA | 1 |
| 3-4 | 3 | | DA67-02921A | CAP-HINGE DAIRY L; HERMES,POM,NTR | SA | 1 |
| 4 | 2 | G0508 | DA97-12383U | ASSY-GASKET DOOR; GRAND-CRU, REF RL60,GRA | SA | 1 |
| 5 | 2 | | DA97-12383Y | ASSY-GASKET DOOR; GRAND-CRU, FRE RL56, RB | SA | 1 |
| 6 | 2 | A0656 | DA63-06221A | TRAY EGG; GRAND-CRU,GPPS,TP BLUE,165N,HI- | SA | 1 |
| 7 | 2 | A0167 | DA97-15730A | ASSY GUARD BOTTLE; 3050,hot stamping | SA | 1 |
| 7-1 | 3 | A0151 | DA63-08118A | GUARD BOTTLE; RB5000J,GPPS,T3,TP BLUE | SA | 1 |
| 8 | 2 | | DA97-15728A | ASSY GUARD VARIETY; 3050,hot stamping | SA | 4 |
| 8-1 | 3 | A0153 | DA63-08117A | GUARD VARIETY; RB5000J,GPPS,T3,TP BLUE,16 | SA | 4 |
| 9 | 2 | A0626 | DA97-13300Y | ASSY COVER CONTROL; RB5000J,3050-2M, Exte | SA | 1 |
| 9-1 | 3 | | DA64-05039N | INLAY-CONTROL; RB5000J,PC,3050-2M, Extern | SNA | 1 |
| 9-2 | 4 | A1196 | DA63-07296C | COVER-CONTROL; 3050PJT,ABS,I BLACK,HG-076 | SNA | 1 |
| 10 | 2 | A0553 | DA97-15091C | ASSY HANDLE; 3050_BMF,INOX GRAY | SA | 2 |
| 11 | 2 | A0553 | DA97-15091C | ASSY HANDLE; 3050_BMF,INOX GRAY | SA | 2 |
| 12 | 2 | A0550 | DA67-02780C | CAP-HANDLE SCREW; ABS,VERSAILLES SILVER | SA | 4 |
| 13 | 2 | A0550 | DA67-02780C | CAP-HANDLE SCREW; ABS,VERSAILLES SILVER | SA | 4 |

Exploded Views and Parts List

| No. | Lvl. | Loc. | Material Code | Description & Specification | SNA | Qty. |
|-----|------|------|---------------|---|-----|------|
| 14 | 2 | | DA67-02684K | CAP SCREW; 3050,ABS,T1,HB,HG-0760GP,INOX | SA | 4 |
| 15 | 2 | | DA67-02684K | CAP SCREW; 3050,ABS,T1,HB,HG-0760GP,INOX | SA | 4 |