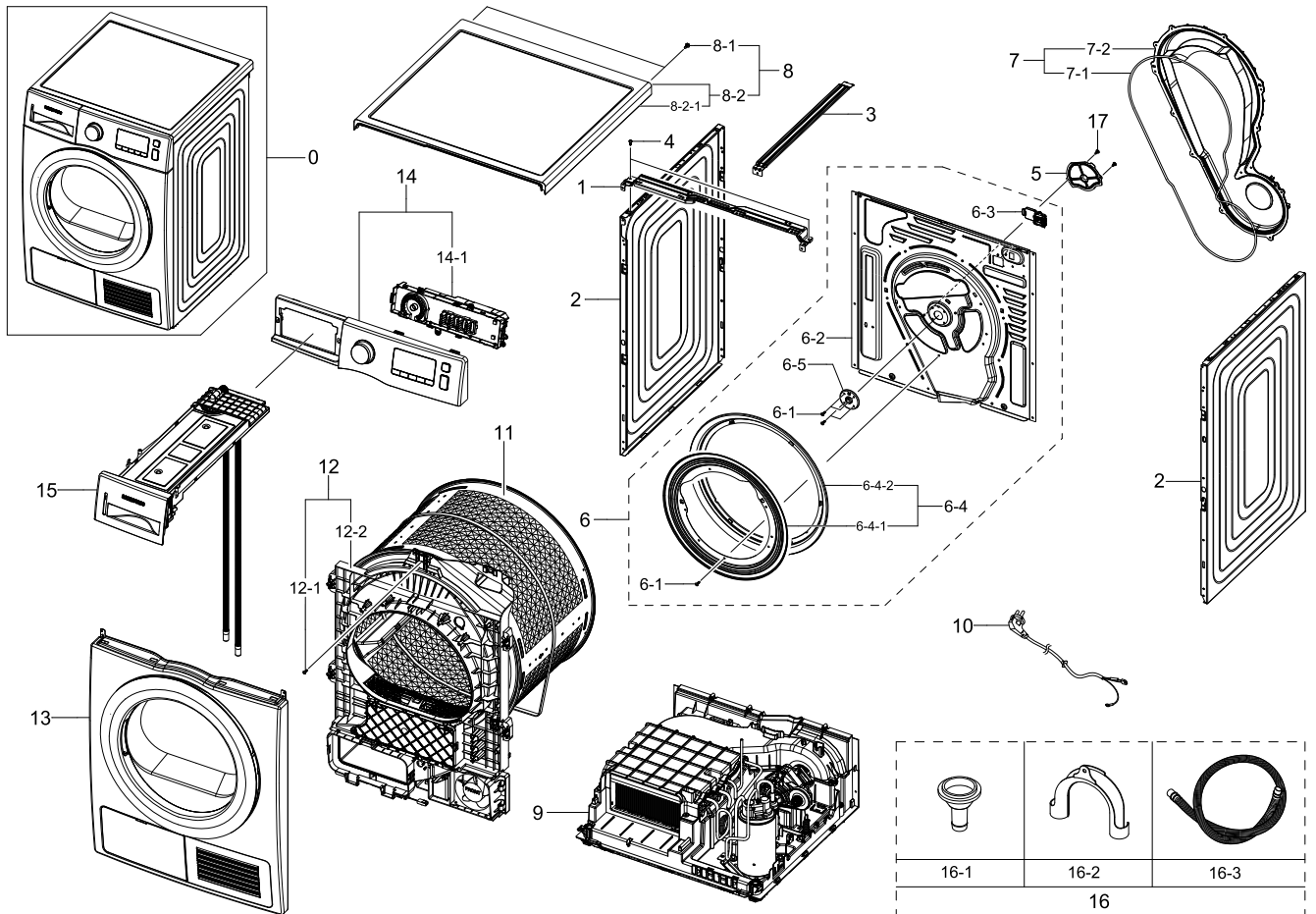


1. Main

Exploded View



Parts List

| No. | Lvl. | Loc. | Material Code | Description & Specification | SNA | Qty. |
|-----|------|--------|---------------|--|-----|------|
| 1 | 2 | | DC61-03629A | FRAME PLATE-UP; DV90F5E6HGW,GI-SGCC,T1 | SA | 1 |
| 2 | 2 | | DC61-03638A | FRAME-SIDE; DV90F5E6HGW,EGI-SECC,-,DA WHI | SA | 2 |
| 3 | 2 | | DC61-03639A | GUIDE WIRE; DV90F5E6HGW,GI-SGCC,T1 | SA | 1 |
| 4 | 2 | WX0512 | 6009-001240 | SCREW-SPECIAL; TH,+,M5,L13.5,ZPC(WHT),SWR | SA | 2 |
| 5 | 2 | WS0141 | DC63-01263A | COVER BEARING; SDC18809,EGI-SECC,T0.8,W10 | SA | 1 |
| 6 | 2 | | DC97-19980C | ASSY FRAME-REAR; DV8/6/5000M,DV90M5000QW/ | SA | 1 |
| 6-1 | 3 | WX0419 | 6002-000239 | SCREW-TAPPING; TH,+,NO,2S,M4,L8,ZPC(WHT), | SA | 8 |
| 6-2 | 3 | | DC61-03637B | FRAME-REAR; DV80M8215AW,GI-SGCC,T0.7 | SA | 1 |
| 6-3 | 3 | | DC63-01964A | COVER CONNECTOR; PP,T2.5,HB,NATURAL,HASS | SA | 1 |

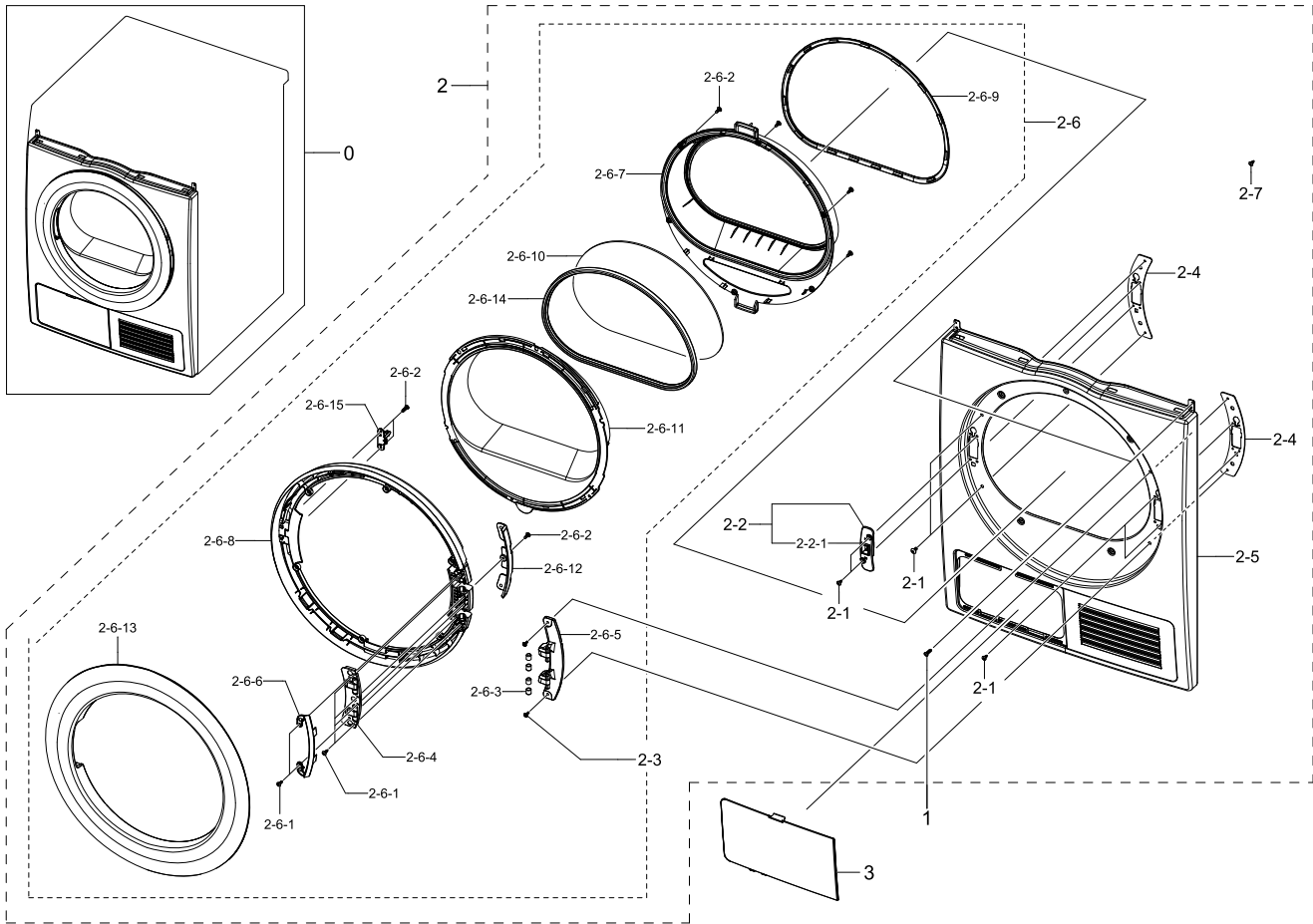
Exploded Views and Parts List

| No. | Lvl. | Loc. | Material Code | Description & Specification | SNA | Qty. |
|-------|------|--------|---------------|--|-----|------|
| 6-4 | 3 | WJ0091 | DC93-00072A | ASSY GASKET FELT; GE24-DRYER,DCVH480EK,-, | SA | 1 |
| 6-4-1 | 4 | WJ0093 | DC61-02263A | BRACKET GASKET FELT; DCVH480EK0WW,STS430, | SA | 1 |
| 6-4-2 | 4 | WJ0110 | DC93-00093A | ASSY GASKET FELT SUB; GE24-DRYER,DCVH480E | SA | 1 |
| 6-5 | 3 | WS0009 | DC97-16288A | ASSY HOUSING BEARING; D100-PJT,SDC18809(O | SA | 1 |
| 7 | 2 | WY0097 | DC93-00658B | ASSY COVER DUCT; DV8000M,DV80M8214AW,PP+P | SA | 1 |
| 7-1 | 3 | | DC62-00377C | SEAL DUCT; DV90F5E6HGW,EPDM,BLACK,-,L1840 | SA | 1 |
| 7-2 | 3 | | DC63-02060A | COVER DUCT FAN; DV80M8215AW/EG,PP,HB,DARK | SA | 1 |
| 8 | 1 | WF0003 | DC90-13380A | ASSY COVER TOP; DV-F500E 9KG | SNA | 1 |
| 8-1 | 2 | WX0490 | 6002-001431 | SCREW-TAPPING; HEX,+,2,M5,L16,ZPC(WHT),SW | SA | 2 |
| 8-2 | 2 | WF0003 | DC97-17446A | ASSY COVER TOP; DV-F500E,DV90F5E6HGW,DA-W | SA | 1 |
| 8-2-1 | 3 | | DC63-01606A | COVER TOP; DV90F5E6HGW,ABS,T3.5,-,DA WHIT | SA | 1 |
| 9 | 1 | | DC90-00021W | ASSY BASE PARTS; DV5000M,DV90M5000QW/EU | SNA | 1 |
| 10 | 2 | WE0054 | DC90-11229B | CBF-POWER CORD; AT,U.K,GB3F,Gray,1900,H05 | SA | 1 |
| 11 | 1 | WG0004 | DC90-13381A | ASSY DRUM; DV-F500E 9KG | SNA | 1 |
| 12 | 1 | | DC90-00021T | ASSY INNER PARTS; DV6000M,DV90M6200CW/EN | SNA | 1 |
| 12-1 | 2 | S0025 | 6006-001174 | SCREW-TAPPING; TH,+,WT,2S,M4,L12,ZPC(WHT) | SA | 1 |
| 12-2 | 2 | | DC97-19978B | ASSY DRUM FRONT; DV6/5000M,PP FC2305,HEAT | SA | 1 |
| 13 | 1 | | DC90-24306C | ASSY FRONT PARTS; DV5000M,DV90M5000QW/EU | SNA | 1 |
| 14 | 1 | | DC90-00019C | ASSY PANEL CONTROL PARTS; DV5000M,DV80M50 | SNA | 1 |
| 14-1 | 2 | | DC92-02028B | ASSY KIT; FCD_AC,DV5000M,AC MOTOR, 8KG | SA | 1 |
| 15 | 1 | | DC90-24366A | ASSY DRAWER PARTS; DV5000M,DV90M5000QW/EU | SNA | 1 |
| 16 | 2 | WA0002 | DC98-01730A | ASSY ACCESSORY; DV-F500E,DV90F5E6HGW | SNA | 1 |
| 16-1 | 3 | | DC61-02479A | GUIDE HOSE; SDC18809,PP,T1.5,L34.5,NTR,D1 | SA | 1 |
| 16-2 | 3 | WH5379 | DC62-10278A | HOSE HANGER; PUMP MODEL,PP,BLACK | SA | 1 |

| No. | Lvl. | Loc. | Material Code | Description & Specification | SNA | Qty. |
|------|------|--------|---------------|--|-----|------|
| 16-3 | 3 | WH0023 | DC97-15757C | ASSY HOSE DRAIN; D100,SDC18809,L1998,ID9. | SA | 1 |
| 17 | 2 | WX0419 | 6002-000239 | SCREW-TAPPING; TH,+,NO,2S,M4,L8,ZPC(WHT), | SA | 2 |

2. Assy Front Parts

Exploded View



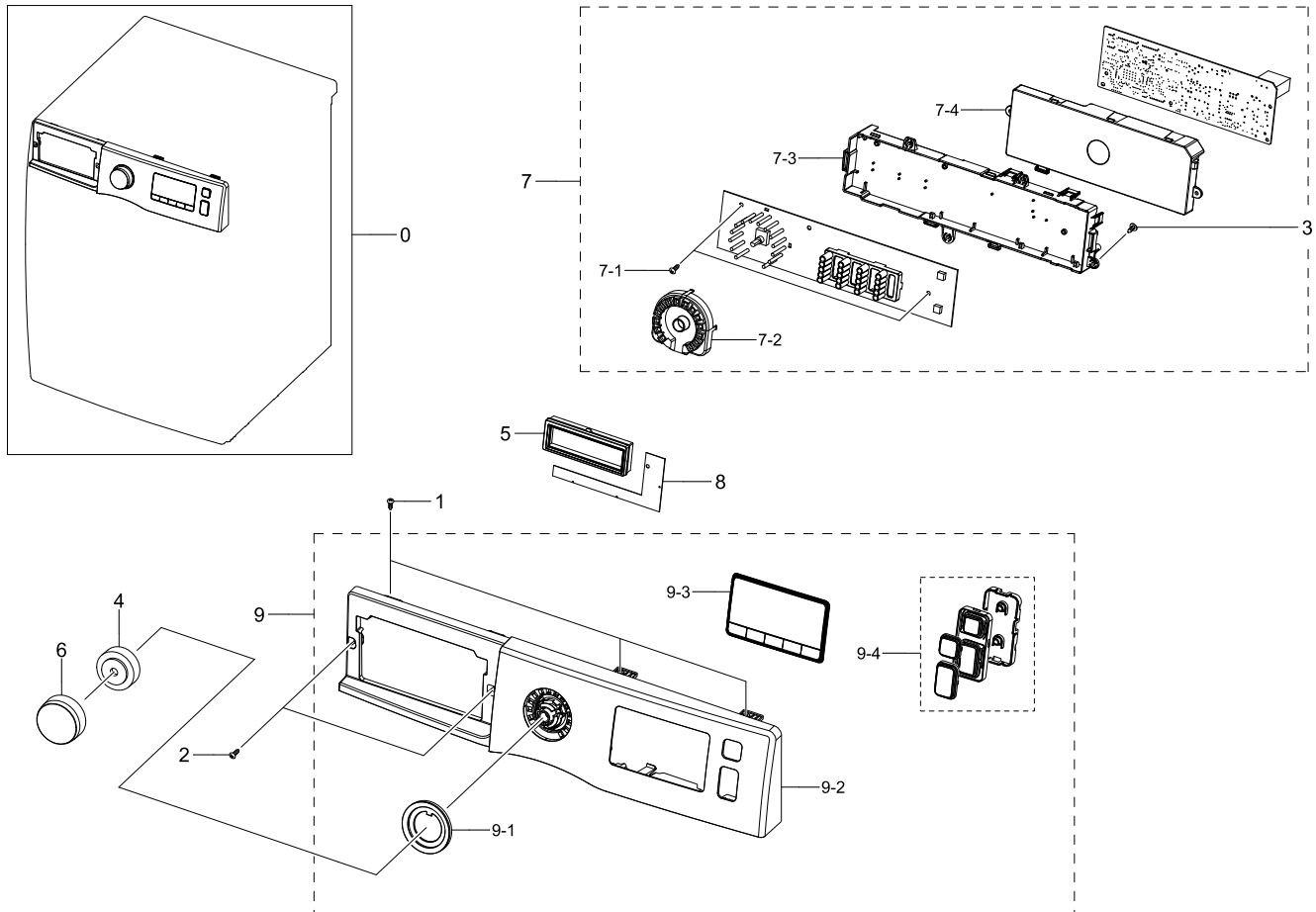
Parts List

| No. | Lvl. | Loc. | Material Code | Description & Specification | SNA | Qty. |
|-------|------|--------|---------------|--|-----|------|
| 0 | 1 | | DC90-24306C | ASSY FRONT PARTS; DV5000M,DV90M5000QW/EU | SNA | 1 |
| 1 | 2 | S0025 | 6006-001174 | SCREW-TAPPING; TH,+,WT,2S,M4,L12,ZPC(WHT) | SA | 2 |
| 2 | 2 | WF0005 | DC97-17440H | ASSY FRAME FRONT; DV5000M,DV90M52003W/EO, | SNA | 1 |
| 2-1 | 3 | S0025 | 6002-001149 | SCREW-TAPPING; TH,+,NO,2S,M4,L12,NI PLT,S | SA | 4 |
| 2-2 | 3 | WD0011 | DC97-15505B | ASSY HOLDER LEVER; D100,SDC18809,DARK HOL | SA | 1 |
| 2-2-1 | 4 | WD0106 | DC61-02253B | HOLDER LEVER; D100,POM,DARK HOLDER GRAY | SA | 1 |
| 2-3 | 3 | WX0534 | 6009-001522 | SCREW-HEX; HWH,+,M5,L16,PASS,STS430,FP,SE | SA | 2 |

| No. | Lvl. | Loc. | Material Code | Description & Specification | SNA | Qty. |
|--------|------|--------|---------------|--|-----|------|
| 2-4 | 3 | WP0101 | DC61-02283A | BRACKET HINGE; DCVH480EK0WW,HGI-SGHC,T2,G | SA | 2 |
| 2-5 | 3 | | DC61-03640A | FRAME FRONT; DV-F500E,EGI-SECD,-,DA WHITE | SA | 1 |
| 2-6 | 3 | WD0003 | DC97-17483E | ASSY DOOR; DV5000M,DV90M5000QW | SA | 1 |
| 2-6-1 | 4 | WX0616 | 6002-000215 | SCREW-TAPPING; TH,+,NO,1,M4,L16,ZPC(WHT), | SA | 6 |
| 2-6-2 | 4 | WX0427 | 6002-000445 | SCREW-TAPPING; TH,+,NO,2,M4,L18,PASS,STS4 | SA | 8 |
| 2-6-3 | 4 | WD0090 | DC61-00891A | GUIDE HINGE; HAUZEN(DOM),POM,NTR(WHT),HIN | SA | 4 |
| 2-6-4 | 4 | WD0134 | DC61-02462A | SUPPORT HINGE; SDC18809,GI-SGCC,T1.4,-,-, | SA | 1 |
| 2-6-5 | 4 | | DC61-03665B | HINGE DOOR; DV80H4100CW,ALDC,T4 | SA | 1 |
| 2-6-6 | 4 | | DC61-03670B | GUIDE HOLDER GLASS; DV90M5000QW,PP,HB,FC2 | SA | 1 |
| 2-6-7 | 4 | WD0104 | DC61-03671B | HOLDER GLASS; DV90M5000QW,PP,VERSAILLES G | SA | 1 |
| 2-6-8 | 4 | WD0104 | DC61-03672B | HOLDER GLASS; DV90M5000QW,PP,VERSAILLES G | SA | 1 |
| 2-6-9 | 4 | | DC62-00488A | SEAL AIR; DV6000K,TPE,XR-1045 | SA | 1 |
| 2-6-10 | 4 | | DC64-02962A | DOOR GLASS; DV90F5E6HGW,GLASS,T3.2,-,CLEA | SA | 1 |
| 2-6-11 | 4 | | DC63-01616B | COVER DOOR; DV90M5000QW,ABS,HB,Deep Gentl | SA | 1 |
| 2-6-12 | 4 | | DC63-01627A | COVER HOLDER; DV80F5E5HGW,PMMA,T2.5,NATUR | SA | 1 |
| 2-6-13 | 4 | | DC63-01628D | COVER DOOR; DV80F5EMHGW/EE,ABS+PMMA,T1.8, | SA | 1 |
| 2-6-14 | 4 | | DC62-00270B | SEAL DOOR; DV90F5E6HGW,TPE,-,-,XR-1045,GR | SA | 1 |
| 2-6-15 | 4 | WD0114 | DC66-00643A | LEVER DOOR; DV-F500E,ZNDC,PLATING NI | SA | 1 |
| 2-7 | 3 | WX0407 | 6001-001773 | SCREW-MACHINE; TH,+,-,M5,L12,PASS,STS430, | SA | 2 |
| 3 | 2 | | DC63-02078A | COVER CONDENSER; DV6000M,ABS,HB,DA WHITE | SA | 1 |

3. Assy Panel Control Parts

Exploded View



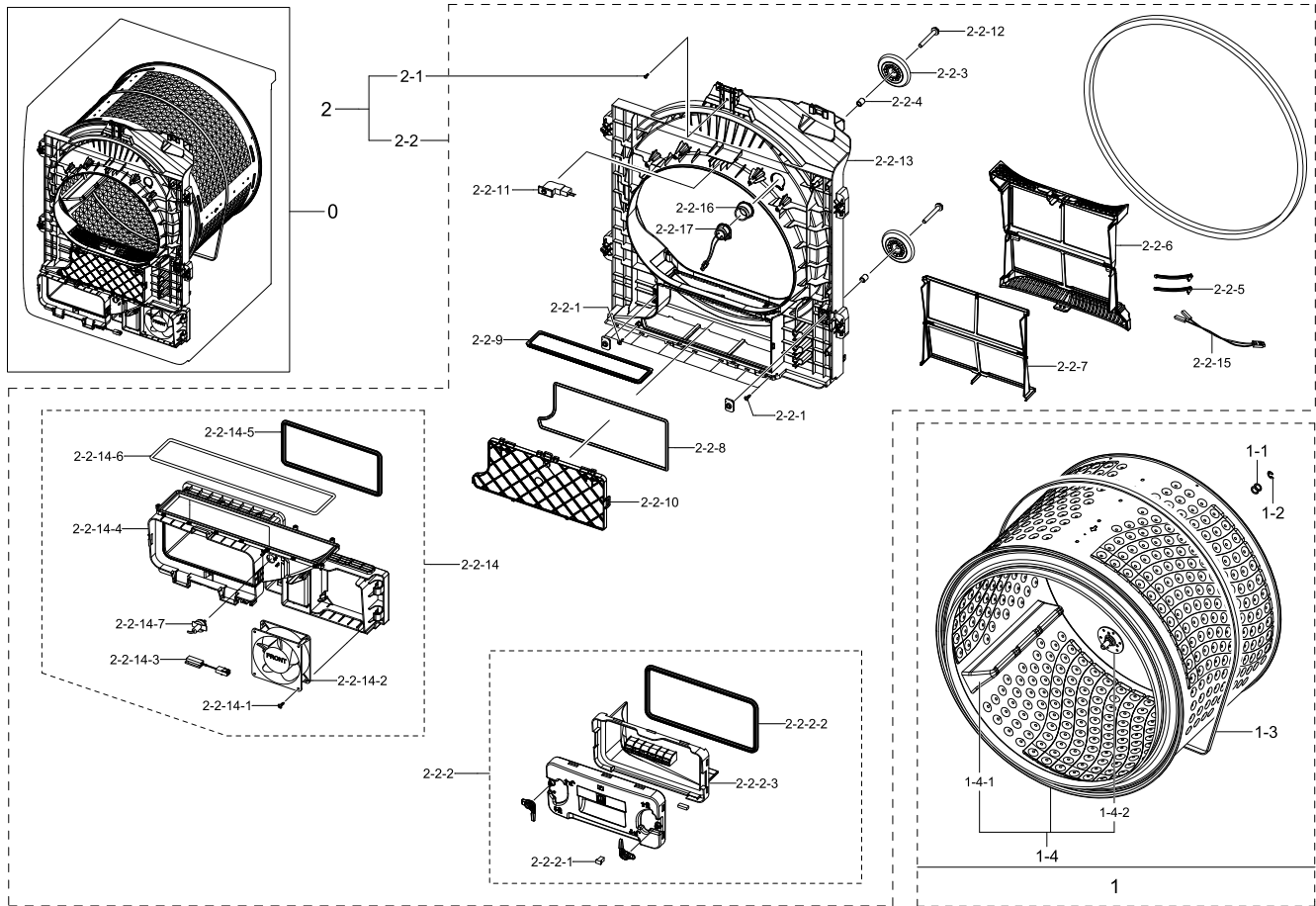
Parts List

| No. | Lvl. | Loc. | Material Code | Description & Specification | SNA | Qty. |
|-----|------|--------|---------------|--|-----|------|
| 0 | 1 | | DC90-00019C | ASSY PANEL CONTROL PARTS; DV5000M,DV80M50 | SNA | 1 |
| 1 | 2 | WX0419 | 6002-000239 | SCREW-TAPPING; TH,+,NO,2S,M4,L8,ZPC(WHT), | SA | 3 |
| 2 | 2 | WX0427 | 6002-000445 | SCREW-TAPPING; TH,+,NO,2,M4,L18,PASS,STS4 | SA | 2 |
| 3 | 2 | WX0622 | 6002-001306 | SCREW-TAPPING; TH,+,1,M4,L14,ZPC(WHT),SWR | SA | 3 |
| 4 | 2 | | DC62-00404B | SEAL RUBBER; EPDM,BLACK | SA | 1 |
| 5 | 2 | | DC62-00403A | SEAL RUBBER; EPDM,BLACK,-,BETTER | SA | 1 |
| 6 | 2 | | DC64-03312B | KNOB ENCODER; F500E,ABS+PMMA,BK0018, TP00 | SA | 1 |
| 7 | 2 | | DC92-02028B | ASSY KIT; FCD_AC,DV5000M,AC MOTOR, 8KG | SA | 1 |
| 7-1 | 3 | WX0419 | 6002-000239 | SCREW-TAPPING; TH,+,NO,2S,M4,L8,ZPC(WHT), | SA | 2 |

| No. | Lvl. | Loc. | Material Code | Description & Specification | SNA | Qty. |
|-----|------|--------|---------------|--|-----|------|
| 7-2 | 3 | WP0088 | DC61-03098A | BRACKET-ENCODER; ARNO,HIPS,T1.5,W75.8,L78 | SA | 1 |
| 7-3 | 3 | | DC63-02064A | COVER PCB-SUB; DV80M8215AW/EG,HIPS,V-0,NA | SA | 1 |
| 7-4 | 3 | | DC63-02065A | COVER PCB-MAIN; DV80M8215AW/EG,HIPS,V-0,N | SA | 1 |
| 8 | 2 | | DC93-00540A | ASSY SENSOR; F500 IML BEST,5V,7-BUTTON,TO | SA | 1 |
| 9 | 2 | WC0016 | DC97-20166B | ASSY PANEL CONTROL; DV5000M,DV80M5013QW/E | SA | 1 |
| 9-1 | 3 | | DC64-02856B | WINDOW ENCODER; ABS+PMMA,HB,TF-0930,GRAY | SA | 1 |
| 9-2 | 3 | | DC64-02955A | PANEL CONTROL; DV90D5E5HGW,ABS,-,HG-0760G | SA | 1 |
| 9-3 | 3 | | DC64-03598S | WINDOW PANEL; DV5000M,PMMA,HB,FT6120,CLEA | SNA | 1 |
| 9-4 | 3 | WC0001 | DC97-17392A | ASSY BUTTON; WF80F50FU4W/EF | SA | 1 |

4. Assy Drum&Assy Inner Parts

Exploded View



Parts List

| No. | Lvl. | Loc. | Material Code | Description & Specification | SNA | Qty. |
|-------|------|--------|---------------|--|-----|------|
| 1 | 1 | WG0004 | DC90-13381A | ASSY DRUM; DV-F500E 9KG | SNA | 1 |
| 1-1 | 2 | WJ0083 | 6031-002038 | WASHER-PLAIN; NYLON,ID12,OD17,T1.0,NTR | SA | 2 |
| 1-2 | 2 | WX0623 | 6044-001784 | RING-C; ID11.1,STW-12,T1.0,BLK,SK5 | SA | 1 |
| 1-3 | 2 | WS0060 | 6602-002024 | BELT-TIMING GEAR; 7PH1970,RUBBER,T2.7,L19 | SA | 1 |
| 1-4 | 2 | WG0007 | DC97-17465A | ASSY DRUM WRAPPER; DV90F5E6HGW | SA | 1 |
| 1-4-1 | 3 | WG0055 | DC66-00541A | DRUM LIFTER; GE24-DRYER,PP,T3.0,FC2210,GR | SA | 3 |
| 1-4-2 | 3 | WS0006 | DC97-15550B | ASSY FLANGE SHAFT; DV90F5E6HGW | SA | 1 |
| 2 | 1 | | DC90-00021T | ASSY INNER PARTS; DV6000M,DV90M6200CW/EN | SNA | 1 |
| 2-1 | 2 | S0025 | 6006-001174 | SCREW-TAPPING; TH,+,WT,2S,M4,L12,ZPC(WHT) | SA | 1 |

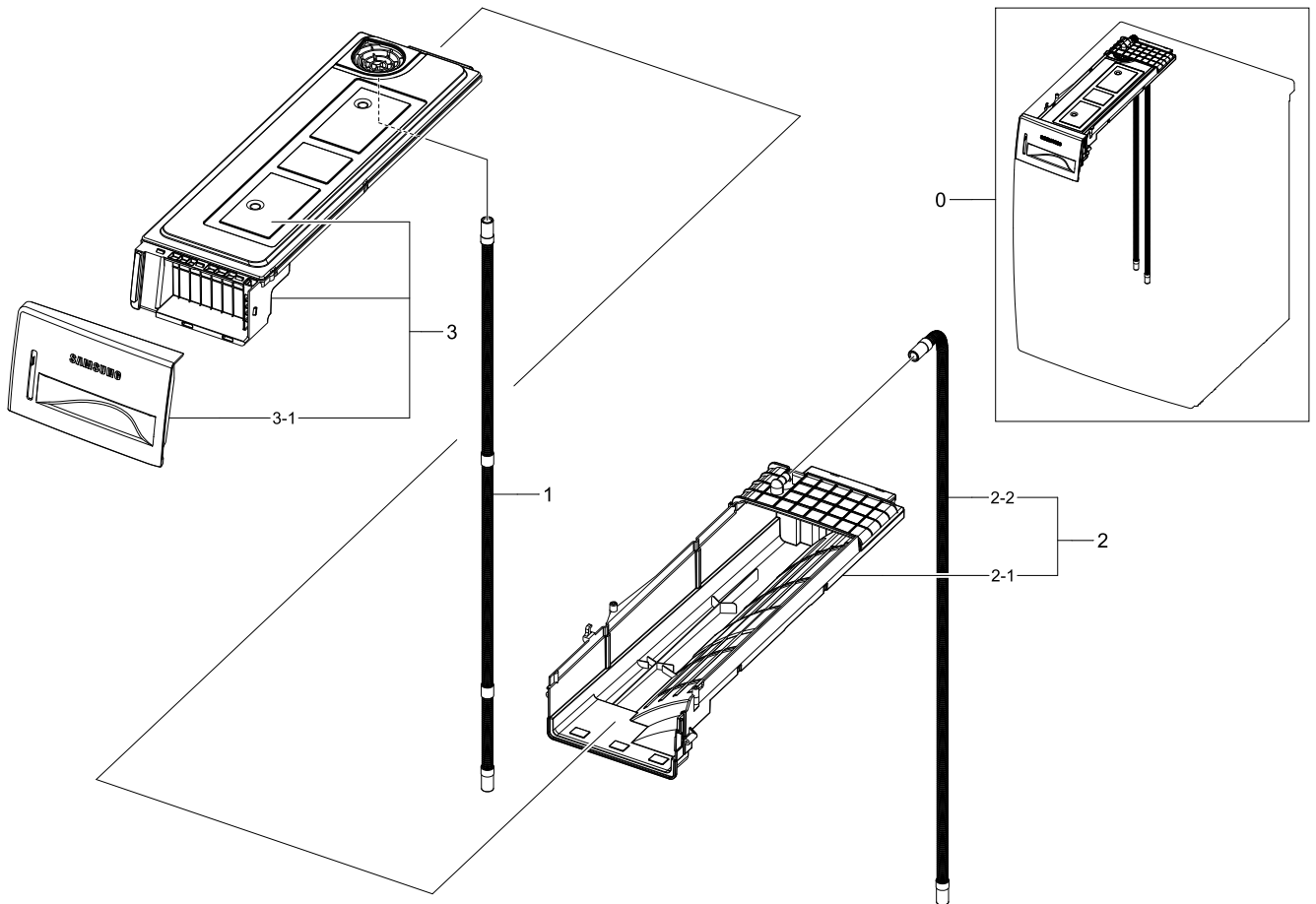
| No. | Lvl. | Loc. | Material Code | Description & Specification | SNA | Qty. |
|----------|------|--------|---------------|--|-----|------|
| 2-2 | 2 | | DC97-19978B | ASSY DRUM FRONT; DV6/5000M,PP FC2305,HEAT | SA | 1 |
| 2-2-1 | 3 | WX0622 | 6002-001306 | SCREW-TAPPING; TH,+,1,M4,L14,ZPC(WHT),SWR | SA | 8 |
| 2-2-2 | 3 | WI0026 | DC97-19977A | ASSY FILTER GUIDE; DV8000M,DV80M8215AW/EG | SA | 1 |
| 2-2-2-1 | 4 | WD0107 | DA66-01072A | LATCH; LATOUR,POM,NATURAL,DC LATCH | SA | 1 |
| 2-2-2-2 | 4 | | DC62-00280B | SEAL CONDENSER; DV-F500E,TPE,KT GRAY,XR-1 | SA | 1 |
| 2-2-2-3 | 4 | | DC63-02067A | FILTER GUIDE; DV80M8215AW/EG,PP,KT GRAY | SA | 1 |
| 2-2-3 | 3 | WS0021 | DC97-15768A | ASSY ROLLER; D100-PJT,SDC18809 | SA | 2 |
| 2-2-4 | 3 | WS0063 | DC61-02485A | BUSH BEARING; SDC18809,SWRCH10A,ID8,OD12, | SA | 2 |
| 2-2-5 | 3 | | DC61-04406A | PLATE SENSOR; DV80M8215AW/EG,STS430,T0.8 | SA | 2 |
| 2-2-6 | 3 | | DC61-04407A | CASE FILTER; DV80M8215AW/EG,PP,DARK HOLDE | SA | 1 |
| 2-2-7 | 3 | | DC61-04409A | CASE FILTER; DV80M8215AW/EG,PP,DARK HOLDE | SA | 1 |
| 2-2-8 | 3 | | DC62-00377A | SEAL DUCT; DV90F5E6HGW,EPDM,BLACK,- | SA | 1 |
| 2-2-9 | 3 | | DC62-00503A | SEAL PACKING; DV80M8215AW/EG,EPDM,DARK HO | SA | 1 |
| 2-2-10 | 3 | | DC63-01604A | COVER DUCT-F; DV90F5E6HGW,PP,T2.5,DARK HO | SNA | 1 |
| 2-2-11 | 3 | WE0068 | DC64-00828D | SWITCH DOOR; AC125V/250V,7.5/5,OP0.8mm | SA | 1 |
| 2-2-12 | 3 | WF0126 | DC66-00572A | SHAFT ROLLER; SDC18809,SWRCH10A,L61,OD8,Z | SA | 2 |
| 2-2-13 | 3 | | DC66-00923A | DRUM FRONT-R; DV80M8215AW/EG,PP,HB,DARK H | SA | 1 |
| 2-2-14 | 3 | WY0012 | DC93-00700A | ASSY DUCT FRONT; DV8000M,DV80M8215AW,PP(F | SA | 1 |
| 2-2-14-1 | 4 | WX0622 | 6002-001306 | SCREW-TAPPING; TH,+,1,M4,L14,ZPC(WHT),SWR | SA | 1 |
| 2-2-14-2 | 4 | WS0093 | DC31-00177A | MOTOR FAN; F1238S12B,0.29A,3.5W,2000,DC 1 | SA | 1 |
| 2-2-14-3 | 4 | WE0134 | DC34-00001G | SWITCH REED; 14~30,370mm,25.4 0.5mm,14mm | SA | 1 |
| 2-2-14-4 | 4 | | DC61-04413A | GUIDE AIR FLOW; DV80M8215AW/EG,PP,HB,FC23 | SA | 1 |
| 2-2-14-5 | 4 | | DC62-00280C | SEAL CONDENSER; DV-F500E,TPE,KT GRAY,-,L7 | SA | 1 |
| 2-2-14-6 | 4 | | DC62-00377D | SEAL DUCT; DV80M8214AW,EPDM,BLACK,L850 | SNA | 1 |
| 2-2-14-7 | 4 | WE5048 | DC90-10128G | ASSY THERMISTOR; DRYER,5V,-20~125120m | SA | 1 |

Exploded Views and Parts List

| No. | Lvl. | Loc. | Material Code | Description & Specification | SNA | Qty. |
|--------|------|--------|---------------|--|-----|------|
| 2-2-15 | 3 | WW5193 | DC96-00766A | ASSY WIRE HARNESS-TOUCH; DRYER-L,-,SUB/TO | SA | 1 |
| 2-2-16 | 3 | WI0349 | DC61-02457A | FIXER LAMP; D100-DRYER,EPDM,GRAY | SA | 1 |
| 2-2-17 | 3 | WE0174 | DC47-00027A | ASSY LAMP LED; 2ea,FR-1,14*12,WHITE,AMP 1 | SA | 1 |

5. Assy Drawer

Exploded View

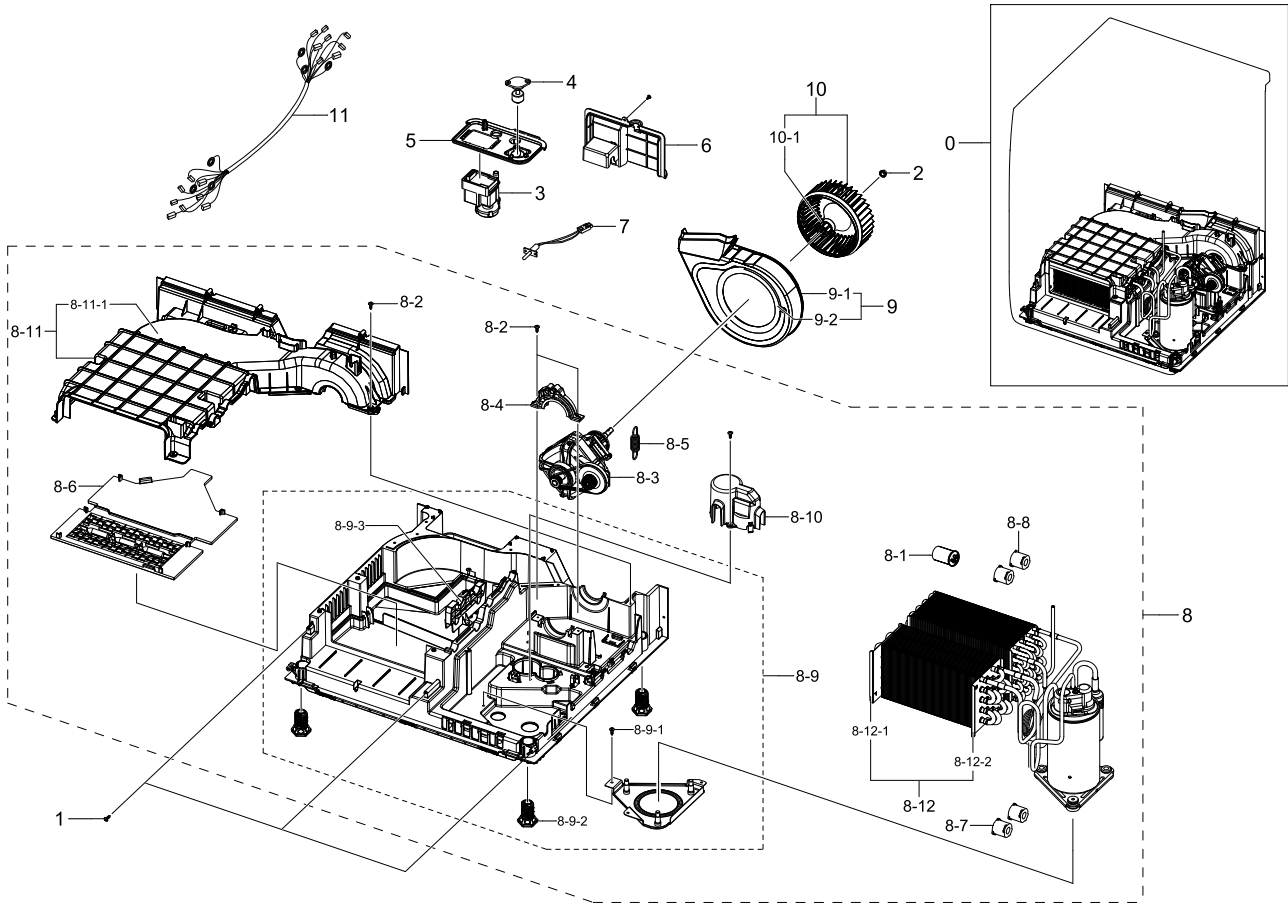


Parts List

| No. | Lvl. | Loc. | Material Code | Description & Specification | SNA | Qty. |
|-----|------|--------|---------------|--|-----|------|
| 0 | 1 | | DC90-24366A | ASSY DRAWER PARTS; DV5000M,DV90M5000QW/EU | SNA | 1 |
| 1 | 2 | WH0023 | DC97-15757F | ASSY HOSE DRAIN; DV-F500E,DV90D5E5HGW,GRA | SA | 1 |
| 2 | 2 | WR0008 | DC97-17451B | ASSY HOUSING DRAWER; DV5000M,DV90M53A0QW, | SA | 1 |
| 2-1 | 3 | | DC61-04555A | HOUSING DRAWER; DV5000M,PP,NATURAL,HB,BJ3 | SNA | 1 |
| 2-2 | 3 | WH0023 | DC97-15757E | ASSY HOSE DRAIN; DV-F500E,DV90D5E5HGW,GRA | SA | 1 |
| 3 | 2 | WR0005 | DC97-20183B | ASSY DRAWER; DV5000M,DV90M5000QW/EU | SA | 1 |
| 3-1 | 3 | WC0120 | DC64-02950A | PANEL DRAWER; DV90D5E5HGW,ABS,-,HG-0760GP | SA | 1 |

6. Assy Base Parts

Exploded View



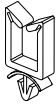






Parts List

| No. | Lvl. | Loc. | Material Code | Description & Specification | SNA | Qty. |
|-----|------|--------|---------------|--|-----|------|
| 0 | 1 | | DC90-00021W | ASSY BASE PARTS; DV5000M,DV90M5000QW/EU | SNA | 1 |
| 1 | 2 | WX0622 | 6002-001306 | SCREW-TAPPING; TH,+,1,M4,L14,ZPC(WHT),SWR | SA | 3 |
| 2 | 2 | WX0618 | 6021-001321 | NUT-INCH; RIGHT TURN,3/8"-24,ZPC(BLK),SWC | SA | 1 |
| 3 | 2 | WU5017 | DC31-00105A | PUMP-DRAIN; B13-6AA01120,220V-240V,50Hz,4 | SA | 1 |
| 4 | 2 | WE0176 | DC34-00010A | SWITCH FLOAT; 500.5mm,1.5,50mm,MG624537 | SA | 1 |
| 5 | 2 | | DC61-03643A | HOLDER PUMP MOTOR; DV-F500E,PP,T2.5,NATUR | SA | 1 |
| 6 | 2 | | DC63-01609A | COVER PUMP; DV-F500E,PP,T2.5,NATURAL,MU30 | SA | 1 |
| 7 | 2 | WE5048 | DC90-10128G | ASSY THERMISTOR; DRYER,5V,-20~125120m | SA | 1 |

| No. | Lvl. | Loc. | Material Code | Description & Specification | SNA | Qty. |
|--------|------|--------|---------------|--|-----|------|
| 8 | 2 | | DC90-24049E | ASSY CIRCULATION SYSTEM PARTS; DV5000M | SA | 1 |
| 8-1 | 3 | WX0187 | 2501-001233 | C-OIL; 15,-25to+80,450V,5,50x65,#250,PP | SA | 1 |
| 8-2 | 3 | WX0622 | 6002-001306 | SCREW-TAPPING; TH,+,1,M4,L14,ZPC(WHT),SWR | SA | 13 |
| 8-3 | 3 | | DC31-00106C | MOTOR AC DRIVE; DV-F500E,2Pole,220/240V,5 | SA | 1 |
| 8-4 | 3 | WS0139 | DC61-02467A | SUPPORT-MOTOR(U); D100-PJT,PP,T3 | SA | 1 |
| 8-5 | 3 | WP0015 | DC61-02487A | SPRING ETC TENSION; SDC18809,HSWR,CD2.0,O | SA | 1 |
| 8-6 | 3 | | DC63-01602A | COVER BASE; DV-F500E,PP,T2.5,GRAY | SA | 1 |
| 8-7 | 3 | | DC63-01644A | ABSORBER SOUND; DV90F5E6HGW,EPDM,OD20.5,- | SA | 2 |
| 8-8 | 3 | | DC63-01645A | ABSORBER SOUND; DV90F5E6HGW,EPDM,OD20.5,- | SA | 2 |
| 8-9 | 3 | WB0004 | DC97-20213A | ASSY BOTTOM; DV8000M,DV80M8214AW | SNA | 1 |
| 8-9-1 | 4 | WX0441 | 6002-000520 | SCREW-TAPPING; TH,+,-,2,M4,L12,ZPC(WHT),S | SA | 4 |
| 8-9-2 | 4 | | DC61-02447B | LEG; D100 DRYER,FRPP,NTR | SA | 4 |
| 8-9-3 | 4 | | DC63-02061A | COVER CONNECTOR; DV80M8215AW/EG,PP,HB,NAT | SA | 1 |
| 8-10 | 3 | | DC61-03633A | HOLDER CONDENSER; DV-F500E,PP,T2.5,NATURA | SA | 1 |
| 8-11 | 3 | | DC93-00661B | ASSY COVER CONDENSER; DV8000M,DV80M8215AW | SA | 1 |
| 8-11-1 | 4 | | DC63-02062B | COVER CONDENSER-U; DV8000M,PP,HB,NATURAL | SA | 1 |
| 8-12 | 3 | WY0003 | DC93-00662A | ASSY CONDENSER; DV8000M,DV80M8215AW,AL | SNA | 1 |
| 8-12-1 | 4 | | DC61-04410A | BRACKET EVAP-LEFT; DV80M8215AW/EG,GI-SGCC | SA | 1 |
| 8-12-2 | 4 | | DC61-04411A | BRACKET EVAP-RIGHT; DV80M8215AW/EG,GI-SGC | SA | 1 |
| 9 | 2 | | DC93-00660A | ASSY GUIDE DUCT FAN; DV8000M,DV80M8215AW/ | SA | 1 |
| 9-1 | 3 | | DC61-04412A | GUIDE DUCT FAN; DV80M8215AW/EG,PP,HB,PTN9 | SA | 1 |
| 9-2 | 3 | | DC62-00551A | SEAL GUIDE DUCT; DV8000M,EPDM,T2, W30, L2 | SA | 1 |
| 10 | 2 | WY0022 | DC93-00659A | ASSY FAN DRY; DV8000M,DV80M8215AW/EG,FRPP | SA | 1 |
| 10-1 | 3 | | DC66-00922A | BLADE-BLOWER; DV80M8215AW/EG,FRPP,NATURAL | SNA | 1 |
| 11 | 2 | | DC93-00682A | ASSY WIRE HARNESS-MAIN; DRYER-M,DV5000M,F | SA | 1 |

7. Small Parts

Exploded View

| | | | | | | |
|---|---|---|---|---|---|---|
|  |  |  |  |  |  |  |
| 1 | 2 | 3 | 4 | 5 | 6 | 7 |

Parts List

| No. | Lvl. | Loc. | Material Code | Description & Specification | SNA | Qty. |
|-----|------|--------|---------------|---|-----|------|
| 1 | 3 | WI0294 | DC61-00553B | CABLE CLAMP; DAWS-3NE,PA66,NTR | SA | 1 |
| 2 | 2 | | 6502-000127 | CABLE CLAMP; DAWH-18NB,PA66,NTR | SNA | 2 |
| 3 | 3 | WJ5055 | DC65-00026A | CLAMPER HOSE-FIX; SDC18809,PP,BJ350,NTR | SA | 1 |
| 4 | 3 | WI0293 | DC61-40081A | HOLDER WIRE; DAWH-2NC,PA66,-,NATURAL,- | SA | 1 |
| 5 | 3 | WI0326 | 6046-000310 | STAND OFF; NTR,PA66,DAWH-3NA | SA | 2 |
| 6 | 3 | WI0295 | DC61-60074A | HOLDER WIRE; PA,-,NATURAL,-,101F,rectangl | SA | 1 |
| 7 | 4 | WI0326 | 6046-000310 | STAND OFF; NTR,PA66,DAWH-3NA | SA | 1 |