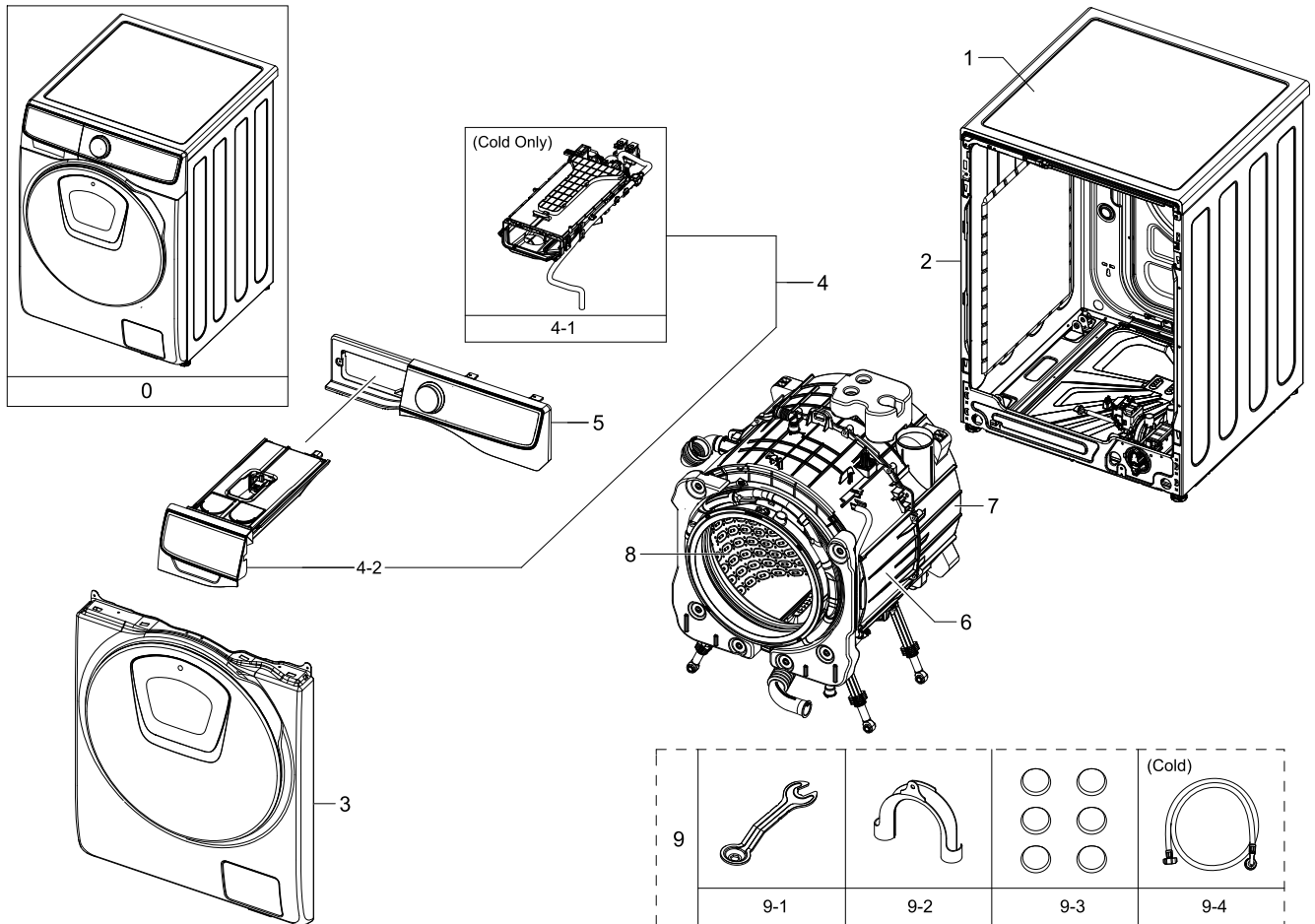


# 1. WW10M86GNOA/EC

## Exploded View



## Parts List

No.	Lvl.	Loc.	Material Code	Description & Specification	SNA	Qty.
1	1		DC90-00048R	ASSY COVER TOP PARTS; WW8800M,DA WHITE	SNA	1
2	1		DC90-24833A	ASSY FRAME PARTS; WW8800M	SNA	1
3	1		DC90-24835A	ASSY FRONT PARTS; WW8800M	SNA	1
4	1		DC90-00049K	ASSY DRAWER PARTS; WW8800M,ASD,10kg,WHITE	SNA	1
4-1	2	WR0008	DC97-20534A	ASSY HOUSING DRAWER; WW8800M,WW10M8,Auto	SA	1
4-2	2	WR0005	DC97-20533B	ASSY DRAWER; WW8800M,AOW,10KG,WHITE	SA	1
5	1		DC90-25102A	ASSY PANEL CONTROL PARTS; WW8800M,WW10M86	SNA	1
6	1		DC90-25202A	ASSY TUB FRONT PARTS; WW8800M,Auto Dispen	SNA	1
7	1		DC90-24837B	ASSY TUB BACK PARTS; WW8800M,WW10M86GNOA/	SNA	1
8	1		DC90-24825A	ASSY DRUM PARTS; WW8800M	SNA	1
9	1		DC90-25062A	ASSY ACCESSORY PARTS; WW8800M,COLD,AOW	SNA	1

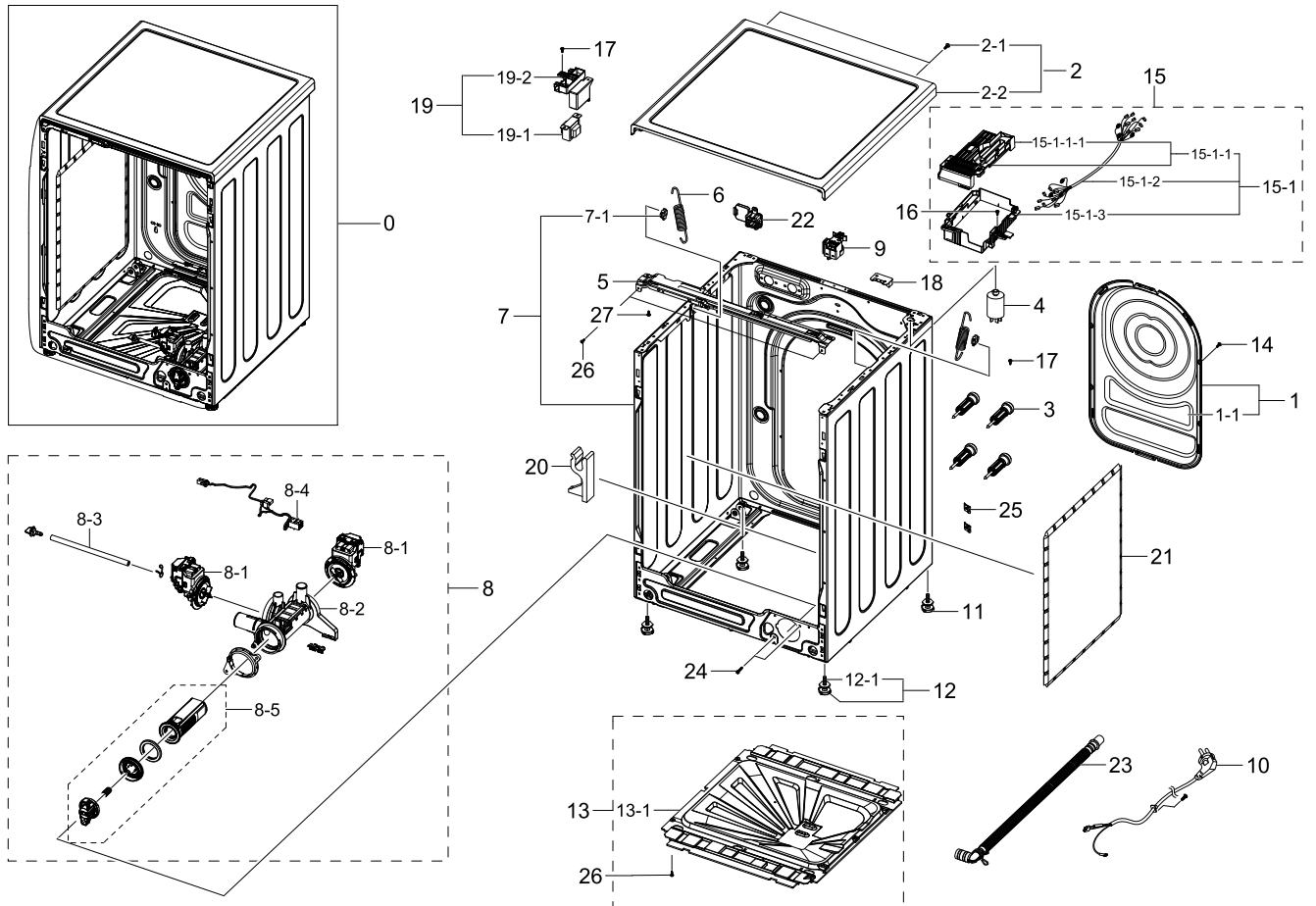
Exploded Views and Parts List

---

No.	Lvl.	Loc.	Material Code	Description & Specification	SNA	Qty.
9-1	2	WJ5077	DC60-40146A	BOLT SPANER; PO-SPHC,T2.5,L166	SA	1
9-2	2	WH5379	DC62-10278A	HOSE HANGER; PUMP MODEL,PP,ID27,T1.5,HS95	SA	1
9-3	2	WA5001	DC67-00307A	CAP-FIXER; WF438AAC/XAA,PP,T1.5,RECYCLE,B	SC	6
9-4	2		DC97-17845A	ASSY HOSE WATER; COLD,ALL MODEL	SA	1

## 2. Assy Frame&Cover Parts

### Exploded View



### Parts List

No.	Lvl.	Loc.	Material Code	Description & Specification	SNA	Qty.
1	2	WF0002	DC97-20431A	ASSY COVER BACK; WW8800M,GI-SGCC,T0.35	SA	1
1-1	3		DC63-02126A	COVER BACK; WW8800M,GI-SGCC,T0.35	SA	1
2	1		DC90-00048R	ASSY COVER TOP PARTS; WW8800M,DA WHITE	SNA	1
2-1	2	WX0490	6002-001431	SCREW-TAPPING; HEX,+,2,M5,L16,ZPC(WHT),SW	SA	2
2-2	2	WF0003	DC97-20437A	ASSY COVER TOP; WW8800M,EUROPE,T3.5,DA WH	SA	1
3	2	WJ5109	DC97-14653C	ASSY FIXER TUB; SCOUT,WF0804Y8E/XEF	SA	4
4	2		DC29-00015G	FILTER EMI; LFT-215G,300Khz,VDE, KS,6.5mH	SA	1
5	2		DC97-20429A	ASSY FRAME PLATE-UP; WW8800M,WW10M8,GI-SG	SA	1
6	2	WF0102	DC61-03099A	SPRING ETC-HANGER; ARNO,HSWR,CD4.2,OD32.2	SA	2
7	2	WF0004	DC97-19388E	ASSY FRAME; WW8800M,DA WHITE,DDPD	SA	1
7-1	3	WI0266	DC61-02065A	GUIDE SPRING; WF448AAG/XXA,POM,T4,W24,L36	SA	2

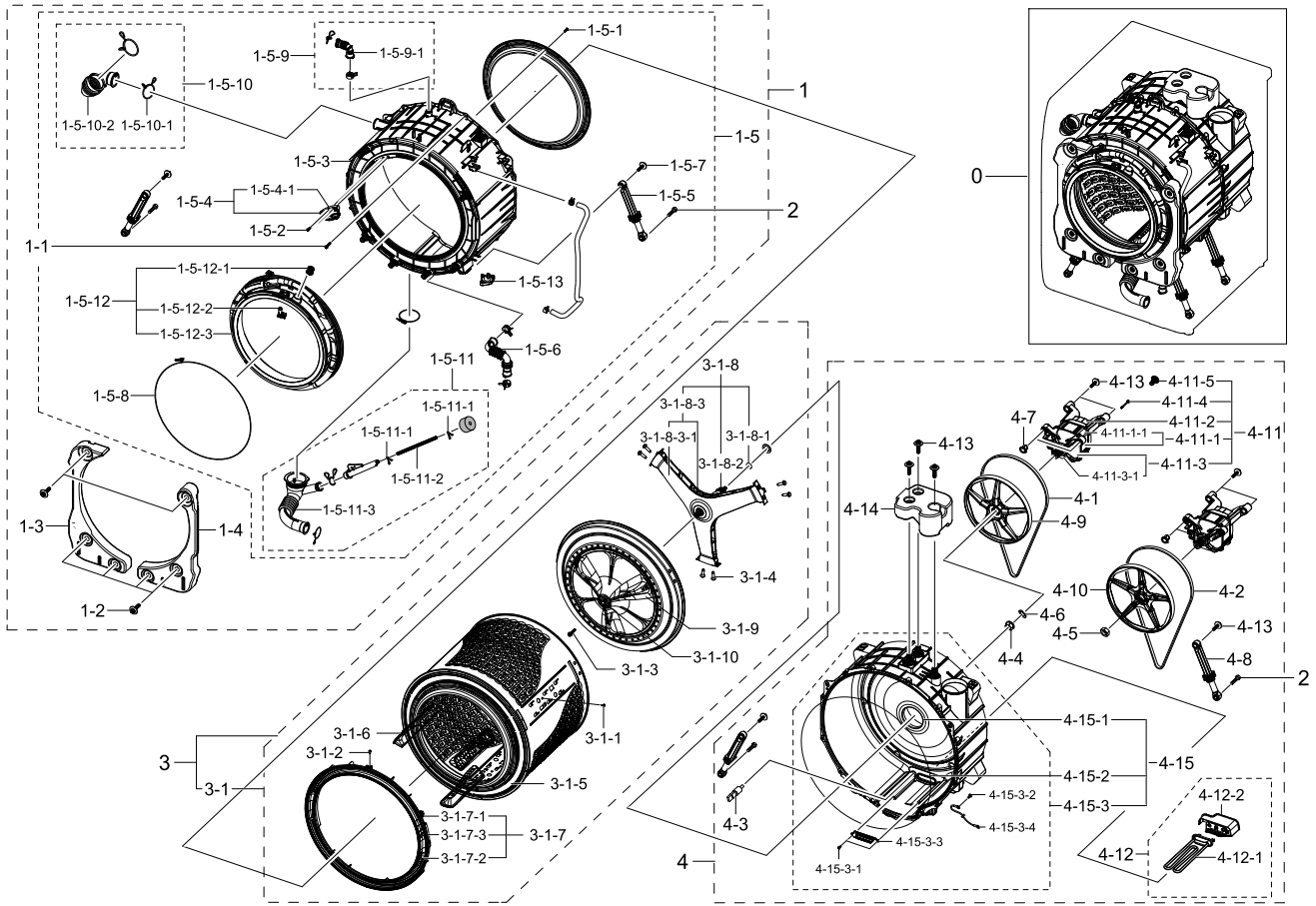
Exploded Views and Parts List

No.	Lvl.	Loc.	Material Code	Description & Specification	SNA	Qty.
8	2		DC97-16645G	ASSY PUMP DRAIN; ARNO,WW10H9610EW/SC,230V	SA	1
8-1	3		DC31-00181A	MOTOR AC PUMP; Drum & Auto,B15-6A/S3019/S30	SA	2
8-2	3	WU0023	DC61-03082A	CASE PUMP; ARNO,PP,T2.5,W184.6,L165.2,NAT	SA	1
8-3	3		DC67-00244J	HOSE DRAIN; WA5471ABP,EPDM,ID6,OD11,T2.5,	SA	1
8-4	3	WW0006	DC93-00150D	ASSY WIRE HARNESS-PUMP; DRUM-M,ARNO,DRAIN	SA	1
8-5	3	WA0006	DC97-16642B	ASSY FILTER; ARNO,WF1124ZAC/XEF,CLICK HAN	SA	1
9	2	WE0125	DC96-01703G	SENSOR PRESSURE; Air,5V,L0,400mmH2O	SA	1
10	2	WE0054	DC96-00146A	POWER CORD-AT; H05VV-F 3x1.5mm2,GRY,EU3F,	SC	1
11	2		DC97-00920U	ASSY LEG; F500E,WF80F5E5U4W/EF,H33.5,P1.5	SA	2
12	2	WB5005	DC97-14293B	ASSY LEG; GE-PJT,WCVH4800KWW,H52.1	SA	2
12-1	3	WJ0092	DC97-14294B	ASSY LEG BOLT; GE-PJT,WCVH4800KWW	SC	2
13	2	WF0015	DC97-20430B	ASSY PLATE BOTTOM; WW8800M,WW10M864QOA/EU	SA	1
13-1	3	WI0156	DC63-02129A	COVER-BOTTOM; DD PJT,PP,T2.5,NATURAL,HFFR	SA	1
14	2	WX0441	6002-000520	SCREW-TAPPING; TH,+,2,M4,L12,ZPC(WHT),SWR	SA	4
15	2		DC94-07976A	ASSY PCB EEPROM; 0118,WW8800M,10, 7000 Jo	SA	1
15-1	3		DC92-02227B	ASSY COVER PCB W/HARNESS; WW8800M,G.LED,	SA	1
15-1-1	4		DC92-02134A	ASSY COVER PBA-MAIN; WW8800M,WW10M86DQOO/	SA	1
15-1-1-1	5		DC63-02127A	COVER PCB-MAIN; DD PJT,ABS,5VA,NATURAL,NC	SNA	1
15-1-2	4		DC93-00721F	ASSY WIRE HARNESS-MAIN; DRUM-M,WW8800M,N,	SA	1
15-1-3	4		DC92-02131B	ASSY KIT; FWM_INV,MK PJT,WW8800M,Washer,A	SNA	1
16	2	WX0412	6002-000213	SCREW-TAPPING; TH,+,1,M4,L12,ZPC(WHT),SWR	SA	3
17	2	WX0622	6002-001306	SCREW-TAPPING; TH,+,1,M4,L14,ZPC(WHT),SWR	SA	2
18	2	WE5187	DC93-00278A	ASSY MODULE; MEMS SENSOR,ARNIO,"3.3V, WIR	SA	1
19	2	WE0026	DC96-01002A	ASSY TRANS REACTORV; Q1657,FH44N,-,-	SA	1
19-1	3	WE0149	DC26-00009P	COIL HARMONIC; 8.5mH,15%,EI 48mm S-30NA	SA	1
19-2	3		DC61-04523A	BRACKET REACTOR; DDPD,PP,T2,NATURAL	SNA	1
20	2	WI0383	DC61-02601A	GUIDE HOSE; SEINE COMBO 9.0kg,PS FOAM,WHI	SA	1
21	2	WA0001	DC63-01313A	ABSORBER SOUND; SCOUT2-PJT,PP,WHITE,SOUND	SA	2
22	2		DC63-02169A	COVER WIRE; WW8800M,PP,HB,NATURAL	SA	1
23	2		DC97-16680B	ASSY HOSE DRAIN(O); WW8800M,WW10M,ASSY	SA	1
24	2	WJ0007	DC97-14006A	ASSY SCREW; WF203,M4/L16	SA	2
25	2		DD61-00140A	BRACKET-TAPPING; SDW-T120B,SWRCH10A,T0.6,	SNA	2

No.	Lvl.	Loc.	Material Code	Description & Specification	SNA	Qty.
26	2	S0025	6006-001174	SCREW-TAPPING; TH,+,WT,2S,M4,L12,ZPC(WHT)	SA	8
27	2	WX0512	6009-001240	SCREW-SPECIAL; TH,+,M5,L13.5,ZPC(WHT),SWR	SA	2

# 3. Assy Tub&Drum Parts

## Exploded View



## Parts List

No.	Lvl.	Loc.	Material Code	Description & Specification	SNA	Qty.
1	1		DC90-25202A	ASSY TUB FRONT PARTS; WW8800M,Auto Dispen	SNA	1
1-1	2	WX0520	6009-001367	BOLT-HEX; M6.5,L32,ZPC(WHT),SWRCH18A,HWH	SA	14
1-2	2	WJ5013	DC97-14263A	ASSY BOLT; MOTOR/BOLT(M8)+WASHER(OD27.5),	SA	6
1-3	2		DC97-18015A	ASSY WEIGHT BALANCER-LEFT; H800E,Assy	SA	1
1-4	2		DC97-18016A	ASSY WEIGHT BALANCER-RIGHT; H800E,Assy	SA	1
1-5	2	WT0004	DC97-19348B	ASSY SEMI TUB FRONT; WW8800M,ASD	SA	1
1-5-1	3	WX0621	6002-000444	SCREW-TAPPING; TH,+,2,M4,L14,PASS,STS430	SNA	6
1-5-2	3	WX0427	6002-000445	SCREW-TAPPING; TH,+,NO,2,M4,L18,PASS,STS4	SA	2
1-5-3	3		DC61-03815C	TUB FRONT; WW8800M,FRPP,T3.5,WHITE	SA	1
1-5-4	3		DC61-03910A	GUIDE FRONT; TPE,T2,XR-1045,GY0196	SA	1
1-5-4-1	4		DC61-03871A	GUIDE TUB; WW9000HE,PA66+GF30%,T3,KN333G3	SA	1
1-5-5	3	WB5214	DC66-00343K	DAMPER SHOCK; GE24"-PJT,PP,60N,W24,BLACK,	SA	2

No.	Lvl.	Loc.	Material Code	Description & Specification	SNA	Qty.
1-5-6	3	WH5389	DC67-00568A	HOSE AIR TUB; ARNO-PJT,EPDM,T1.5,BLACK	SA	1
1-5-7	3	WJ5013	DC97-14263A	ASSY BOLT; MOTOR/BOLT(M8)+WASHER(OD27.5),	SA	2
1-5-8	3		DC97-14618G	ASSY CLAMP DIAPHRAGM; H900E	SA	1
1-5-9	3	WH5017	DC97-14873B	ASSY HOSE AIR; HEBA,WF8702,-,BLACK	SA	1
1-5-9-1	4	WH5206	DC67-00354A	HOSE AIR; HEBA PJT,EPDM,BLACK,18.3g	SA	1
1-5-10	3	WH5375	DC97-14874C	ASSY HOSE DRAWER; HEBA BIGBANG,WF0800NCE,	SA	1
1-5-10-1	4		DC65-60118R	CLIP RING; AEGIS-PJT,HSWR-SWRH,T3.0,ID37	SA	1
1-5-10-2	4	WH5191	DC67-00422A	HOSE DRAWER TUB; HEBA-PJT,EPDM,BLACK	SC	1
1-5-11	3	WH5387	DC97-16644A	ASSY HOSE PRESSURE; ARNO,WF1124ZAC/XEF	SA	1
1-5-11-1	4	WP0165	DC61-70029C	CLIP RING; SEW-HW125,HSWR,WHITE	SA	2
1-5-11-2	4	WH5388	DC67-00576A	HOSE WATER; ARNO,TPE,ID4.5,OD8,T2.5,L870,	SA	1
1-5-11-3	4	WH0012	DC67-00577A	HOSE FILTER TUB; ARNO,EPDM,T1.5,BLACK	SA	1
1-5-12	3	WD0004	DC97-18019D	ASSY DOOR DIAPHRAGM; WW8800M,ADD BUMP	SA	1
1-5-12-1	4		DC47-00027D	ASSY LAMP LED; 1ea,FR-4,14*12,WHITE,AMP 5	SA	1
1-5-12-2	4	WJ0047	DC62-00348A	NOZZLE DIAPHRAGM; WF457ARGSGR,PP,OD10,GRA	SA	1
1-5-12-3	4		DC64-03080B	DOOR DIAPHRAGM; WW8800M,EPDM,ADD BUMP	SA	1
1-5-13	3		DC32-00018A	SENSOR PHOTO; RCM-A301,5V	SA	1
2	2	WX0558	6011-001644	BOLT-HEX; M10,L35,ZPC2,SM10C,DAMPER	SA	4
3	1		DC90-24825A	ASSY DRUM PARTS; WW8800M	SNA	1
3-1	2	WG0004	DC97-20432A	ASSY DRUM; WW8800M,STAINLESS-ST5430,OD504	SA	1
3-1-1	3	WX0621	6002-000444	SCREW-TAPPING; TH,+,2,M4,L14,PASS,STS430	SNA	3
3-1-2	3	WX0458	6002-001186	SCREW-TAPPING; TH,+,-,2,M5.5,L16,PASS,STS	SA	6
3-1-3	3	WJ5083	DC60-40133A	BOLT PULSATOR; AUTOMATIC 8-10kg,STS430,L2	SA	1
3-1-4	3	WJ5081	DC60-40137A	BOLT HEX; MARS-PJT,STS430,M8,P1.25,L30,HE	SA	6
3-1-5	3		DC66-00828A	DRUM FRONT; STS430,T0.8	SA	1
3-1-6	3		DC66-00938A	DRUM LIFTER; DD-PJT,PP,DARK HOLDER GRAY	SA	3
3-1-7	3		DC97-18047A	ASSY BALANCER; H900E,1.5KG,14EA	SA	1
3-1-7-1	4		DC63-01713A	BALANCER-LOW; FRPP,T3.5,White	SA	1
3-1-7-2	4		DC63-01714A	BALANCER-UP; FRPP,T3.5,PP2315SD,White,BAL	SA	1
3-1-7-3	4		DC97-18050A	ASSY BALANCER COVER; H900E,ASSY BALANCER	SA	2
3-1-8	3	WS0006	DC97-20418A	ASSY FLANGE SHAFT; WW8800M	SA	1
3-1-8-1	4		DC62-00542A	SEAL WATER; DUAL DRIVE,NBR,BLACK,Hs70	SA	1
3-1-8-2	4		DC66-00939A	SHAFT WASHING; DUAL DRIVE,STS410,OD15.0,N	SNA	1
3-1-8-3	4		DC97-20419A	ASSY FLANGE SHAFT-SEMI; WW8800M	SNA	1
3-1-8-3-1	5		DC60-00129A	FLANGE SHAFT; DUAL DRIVE,ALDC12,OD501.8	SNA	1

## Exploded Views and Parts List

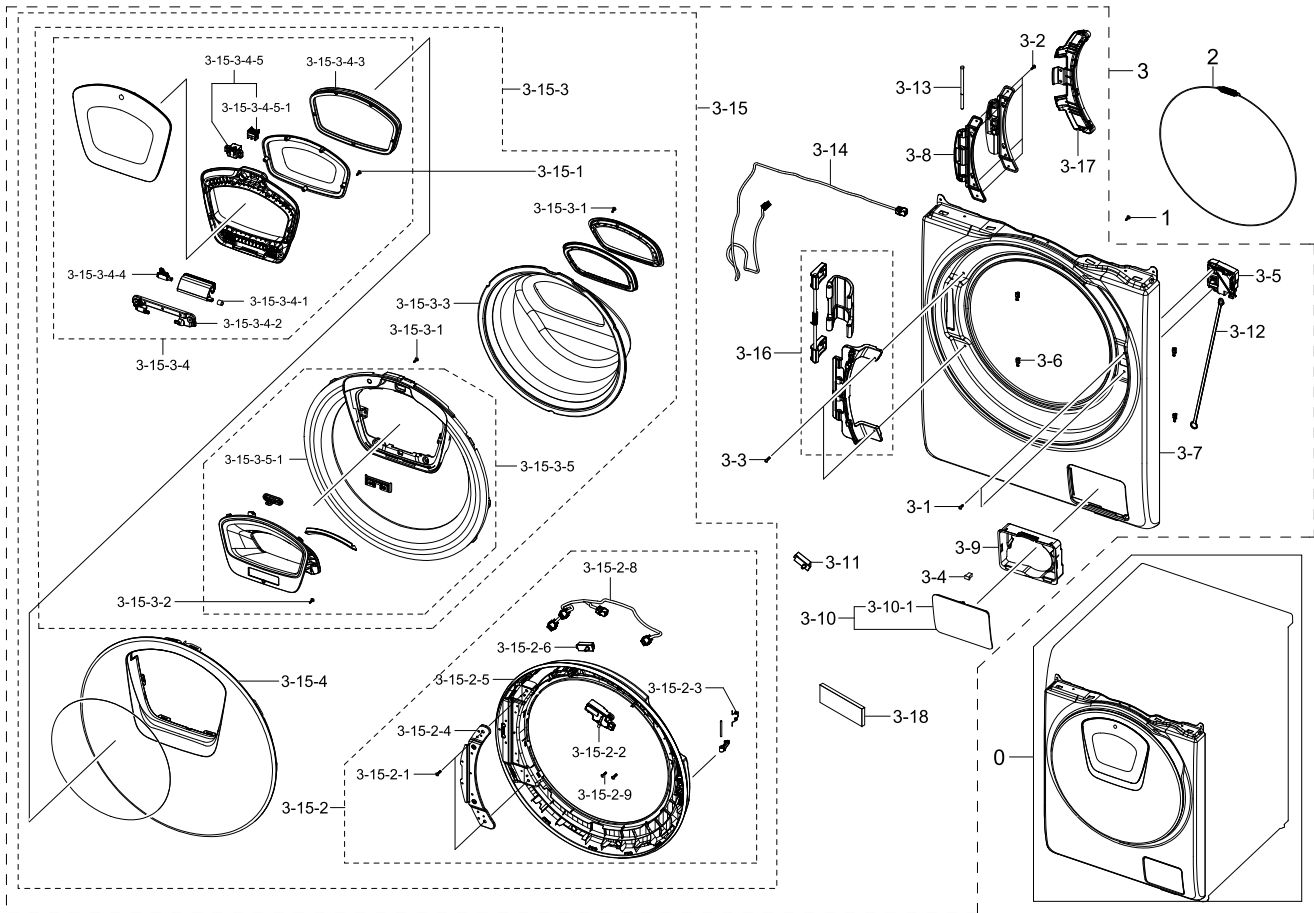
No.	Lvl.	Loc.	Material Code	Description & Specification	SNA	Qty.
3-1-9	3	WG0009	DC97-20406A	ASSY PULSATOR; WW8800M	SA	1
3-1-10	3	WI0051	DC97-20943A	ASSY PULSATOR CAP; WW8800M.WD8800N	SA	1
4	1		DC90-24837B	ASSY TUB BACK PARTS; WW8800M,WW10M86GNOA/	SNA	1
4-1	2	WS0060	6602-003993	BELT-TIMING GEAR; 5J,RUBBER,T3.2,W11.7,L1	SA	1
4-2	2	WS0060	6602-003999	BELT-TIMING GEAR; 5J,RUBBER,T3.2,W11.7,L1	SA	1
4-3	2	WE5177	DC32-00010C	THERMISTOR; WASHER,-10~100,5,5,3.243k ± 2	SA	1
4-4	2	WJ0048	DC60-00128A	NUT SPIN; DUAL DRIVE,ZNDC,11mm,M28*1.5	SA	1
4-5	2		DC60-00130A	NUT HEX; DUAL DRIVE,SM10C,9.8,M10*1.5, ZP	SA	1
4-6	2	WJ0089	DC60-60011B	WASHER WAVE; STS301,ID28.7,OD42,T0.8,ACP	SA	1
4-7	2	WS0064	DC61-02549A	BUSH MOTOR; HEBA BIGBANG,PA,NATURAL	SA	4
4-8	2	WB5214	DC66-00343K	DAMPER SHOCK; GE24"-PJT,PP,60N,W24,BLACK,	SA	2
4-9	2		DC66-00936A	PULLEY MOTOR; DUAL DRIVE,ALDC,NATURAL,OD2	SA	1
4-10	2		DC66-00937A	PULLEY MOTOR; DUAL DRIVE,ALDC,NATURAL,OD2	SA	1
4-11	2		DC93-00316E	ASSY MOTOR BLDC; MK PJT,WDM500FGB 1,F,PWM	SA	2
4-11-1	3		DC93-00314A	ASSY STATOR; WF-MTR00316A,220~240V,46mm	SNA	2
4-11-1-1	4		DC97-17002A	ASSY CORE STATOR; WDM500FGB	SNA	2
4-11-2	3		DC97-16999C	ASSY ROTOR; WF-MTR00316A	SNA	2
4-11-3	3	WI0042	DC97-17008B	ASSY HOUSING; WDM500FGB 1,ALDC 12,VE Type	SA	2
4-11-3-1	4		DC61-04537A	GUIDE BRACKET; DD-PJT,PA66,A205F,NATURAL	SA	2
4-11-4	3		6011-004740	BOLT-ETC; M5,L 50/60/75,SWCH 10A,LOCK,SWC	SA	8
4-11-5	3		6001-002674	SCREW-MACHINE; TH,+,NO,M4,L10,ZPC(WHT),SW	SA	4
4-12	2	WE0010	DC93-00716B	ASSY HEATER; WW8800M,220~240V,NORMAL	SA	1
4-12-1	3	WE0155	DC47-00033B	HEATER WASH; AC230V,2000W,SUS316L,728mm,N	SA	1
4-12-2	3		DC63-02131B	COVER HEATER; WW8800M,,ABS+PC,V-0,NATURAL	SA	1
4-13	2	WJ5013	DC97-14263A	ASSY BOLT; MOTOR/BOLT(M8)+WASHER(OD27.5),	SA	9
4-14	2		DC97-16702B	ASSY WEIGHT BALANCER-UP; WW8800M,3.5kg,PP	SA	1
4-15	2	WT0007	DC97-20424A	ASSY TUB BACK; WW8800M	SA	1
4-15-1	3	WS0119	DC62-00156A	SEAL OIL; TS85-PJT,NBR,BLK	SA	1
4-15-2	3	WO0055	DC69-01769A	PACKING-TUB; ARNO,EPDM,EPDM,T5.5,L1720,BL	SA	1
4-15-3	3	WT0003	DC97-20423A	ASSY SEMI TUB BACK; WW8800M	SNA	1
4-15-3-1	4	WX0434	6002-000471	SCREW-TAPPING; TH,+,1,M4,L12,PASS,STS304	SA	2
4-15-3-2	4	S0025	6006-001174	SCREW-TAPPING; TH,+,WT,2S,M4,L12,ZPC(WHT)	SA	1



No.	Lvl.	Loc.	Material Code	Description & Specification	SNA	Qty.
4-15-3-3	4	WP0099	DC61-02664A	BRACKET HEATER; HEBA,STS430,T0.6	SA	1
4-15-3-4	4	WW5711	DC96-01327D	ASSY WIRE HARNESS-EARTH; DRUM-M,WF1124ZAQ	SA	1

# 4. Assy Front Parts

## Exploded View



## Parts List

No.	Lvl.	Loc.	Material Code	Description & Specification	SNA	Qty.
0	1		DC90-24835A	ASSY FRONT PARTS; WW8800M	SNA	1
1	2	WX0441	6002-000520	SCREW-TAPPING; TH,+,2,M4,L12,ZPC(WHT),SWR	SA	3
2	2	WJ0008	DC91-12078H	ASSY WIRE DIAPHRAGM; H900E	SA	1
3	2	WF0005	DC97-20412A	ASSY FRAME FRONT; WW8800M,DA WHITE	SA	1
3-1	3	WX0621	6002-000444	SCREW-TAPPING; TH,+,2,M4,L14,PASS,STS430	SNA	2
3-2	3	WX0427	6002-000445	SCREW-TAPPING; TH,+,NO,2,M4,L18,PASS,STS4	SA	4
3-3	3	WX0534	6009-001522	SCREW-HEX; HWH,+,M5,L16,PASS,STS430,FP,SE	SA	2
3-4	3	WD0107	DA66-01072A	LATCH; LATOUR,POM,NATURAL,DC LATCH	SA	1
3-5	3		DC34-00026A	SWITCH DOOR LOCK; AC250V,16A,SOLENOID, DO	SA	1
3-6	3	WF0128	DC61-02577A	GUIDE FRAME FRONT; WF0800NCE,POM,W4.1,L18	SA	4
3-7	3		DC61-03830F	FRAME FRONT; GI-SGCD,DA WHITE,T0.8,WT9007	SA	1

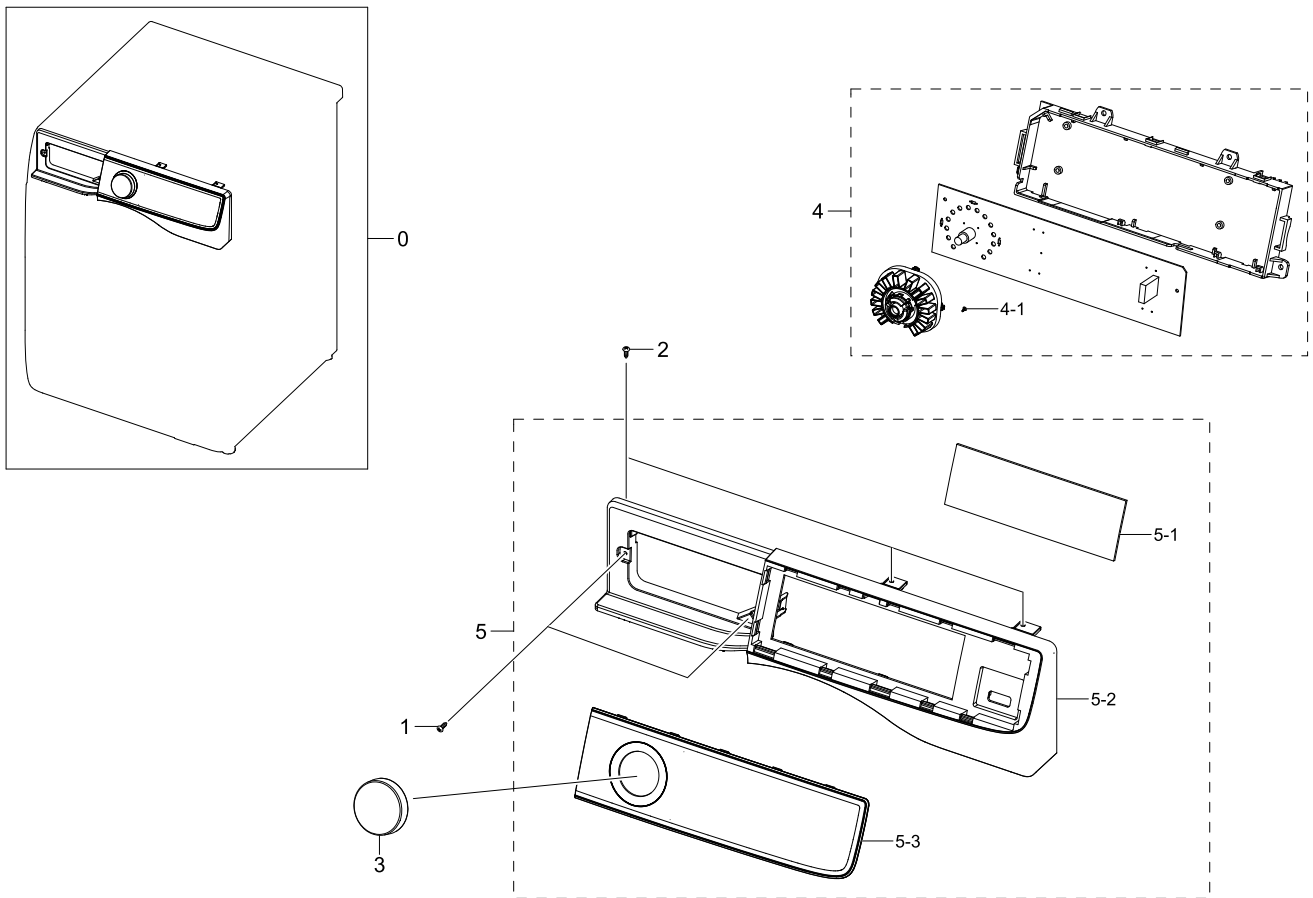
No.	Lvl.	Loc.	Material Code	Description & Specification	SNA	Qty.
3-8	3		DC61-04135A	BRACKET DOOR; WW8/7500K,ALDC,T3,228X76X18	SA	1
3-9	3		DC61-04208A	GUIDE FILTER; HIPS,T2.5,HB,S834S1,DA WHIT	SA	1
3-10	3	WI0012	DC97-19792A	ASSY COVER FILTER; WW8500K,DA WHITE	SA	1
3-10-1	4		DC63-01966A	COVER FILTER; WW8500K,ABS,T2.5,DA WHITE,W	SA	1
3-11	3		DC64-00828G	SWITCH DOOR; AC125-250V,1.5/0.75,1BUTTON,	SA	1
3-12	3		DC66-00850A	LEVER ACTUATOR; PP,T1.5,RM60C	SA	1
3-13	3		DC66-00891A	SHAFT HINGE; WW8500K,STS304,L115.5,OD6.0,	SA	1
3-14	3		DC93-00624A	ASSY WIRE HARNESS-SUB; DRUM-M,SUB ADDWASH	SA	1
3-15	3	WD0003	DC97-19295E	ASSY DOOR; WW8800M,DD	SA	1
3-15-1	4		6002-001615	SCREW-TAPPING; FH,+,1,M4,L16,PASS,STS304	SA	4
3-15-2	4	WD0010	DC97-19297A	ASSY HOLDER GLASS; WW8500K,WW12K8412OW/EU	SNA	1
3-15-2-1	5	WX0621	6002-000444	SCREW-TAPPING; TH,+,2,M4,L14,PASS,STS430	SNA	2
3-15-2-2	5		DC34-00025D	SWITCH DOOR LOCK; DC12V,0.35	SA	1
3-15-2-3	5	WD0130	DC61-02027A	SPRING ETC LEVER; STS304,CD1.2,L10.6	SA	1
3-15-2-4	5		DC61-03832A	BRACKET HOLDER; H800E,GI-SGCC,T1.4	SA	1
3-15-2-5	5	WD0104	DC61-04137A	HOLDER GLASS; WW8500K,WW7500K,PP,VERSAILL	SA	1
3-15-2-6	5		DC64-00828G	SWITCH DOOR; AC125-250V,1.5/0.75,1BUTTON,	SA	1
3-15-2-7	5		DC93-00622A	ASSY WIRE HARNESS-SUB; DRUM-M,SUB ADD WAS	SA	1
3-15-2-9	5	WX0412	6002-000213	SCREW-TAPPING; TH,+,1,M4,L12,ZPC(WHT),SWR	SA	2
3-15-3	4		DC97-19362B	ASSY DOOR INNER; WW8800M,WW10M8, 2nd	SNA	1
3-15-3-1	5	WX0621	6002-000444	SCREW-TAPPING; TH,+,2,M4,L14,PASS,STS430	SNA	9
3-15-3-2	5	WX0534	6009-001522	SCREW-HEX; HWH,+,M5,L16,PASS,STS430,FP,SE	SA	2
3-15-3-3	5	WD0070	DC64-03389A	DOOR-GLASS; GLASS,T5,392*140.5	SA	1
3-15-3-4	5	WD0010	DC97-19296A	ASSY HOLDER GLASS; WW8500K,WW12K8412OW/EU	SA	1
3-15-3-4-1	6	WD0090	DC61-00891A	GUIDE HINGE; HAUZEN(DOM),POM,B,white,HING	SA	1
3-15-3-4-2	6		DC61-04044A	SUPPORT HINGE; WD9500JK,ALDC,T2.5	SA	1
3-15-3-4-3	6		DC62-00474A	SEAL DOOR; Si,GY0039	SA	1
3-15-3-4-4	6		DC66-00878A	DAMPER SHOCK-AXIS; WD9500JK,POM,NATURAL	SA	1
3-15-3-4-5	6		DC97-19401A	ASSY LATCH; WW8500K	SA	1
3-15-3-4-5-1	7		DA66-00880A	CAM-LATCH; HAEMIL,POM,W16.8,H18.2,Dark Gr	SA	1
3-15-3-5	5		DC97-19361B	ASSY COVER DOOR-IN; WW8800M	SNA	1
3-15-3-5-1	6		DC63-01947A	COVER-GLASS; WW8/7500K,ABS,VERSAILLES GRA	SA	1

## Exploded Views and Parts List

No.	Lvl.	Loc.	Material Code	Description & Specification	SNA	Qty.
3-15-4	4		DC63-01939A	COVER DOOR; WW8/7500K,ABS+PMMA,GENTLE BLU	SNA	1
3-16	3	WD0007	DC97-19360A	ASSY HINGE; WW8500K	SA	1
3-17	3		DC63-01936A	COVER HOLDER; PP,VERSAILLES GRAY,GY0039,F	SA	1
3-18	3		DC63-10001Y	ABSORBER SPONGE; SEW-4HR145A,EPDM,T3,W15,	SA	1

## 5. Assy Panel Control Parts

### Exploded View



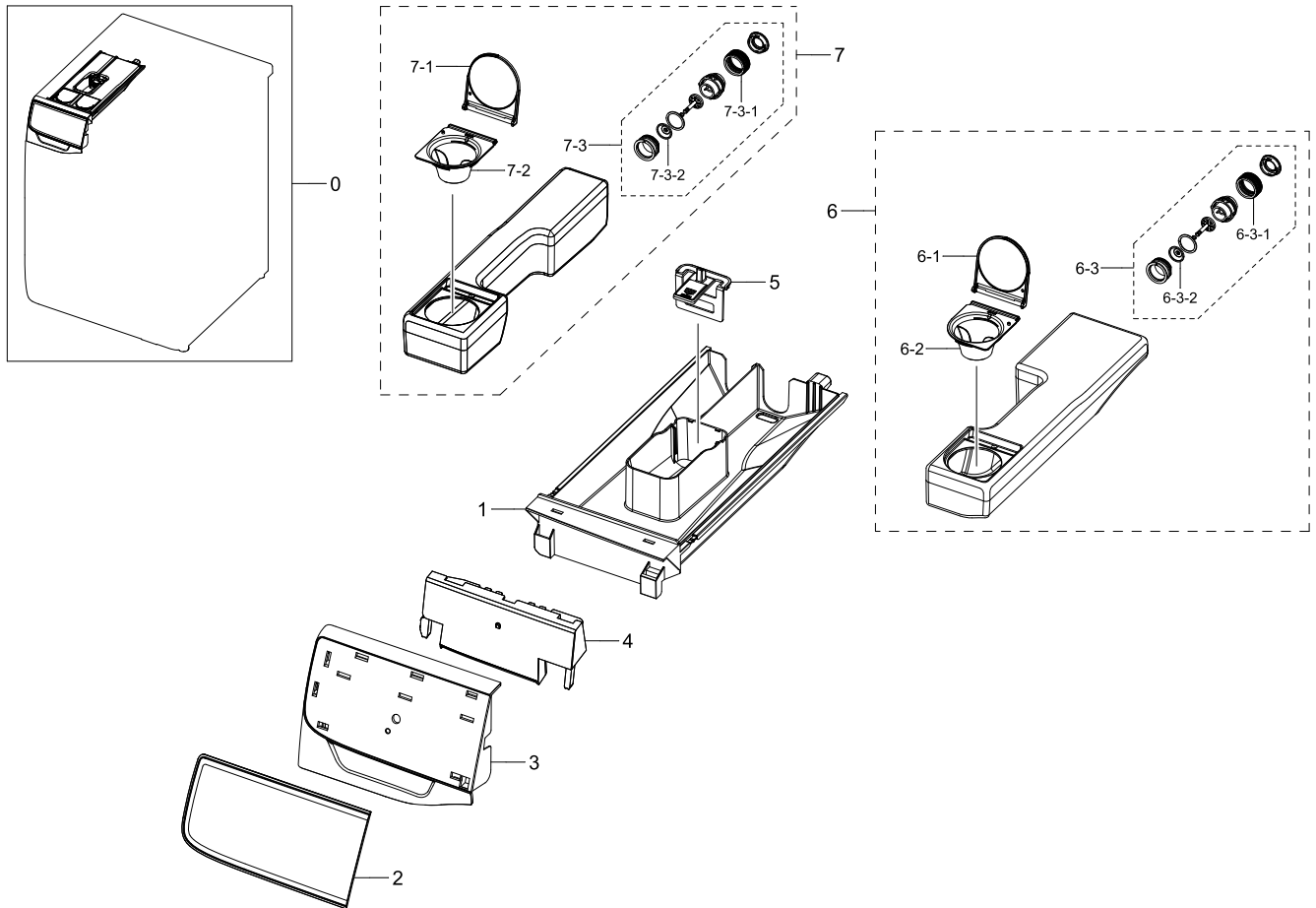
### Parts List

No.	Lvl.	Loc.	Material Code	Description & Specification	SNA	Qty.
0	1		DC90-25102A	ASSY PANEL CONTROL PARTS; WW8800M,WW10M86	SNA	1
1	2	WX0427	6002-000445	SCREW-TAPPING; TH,+,NO,2,M4,L18,PASS,STS4	SA	2
2	2	WX0441	6002-000520	SCREW-TAPPING; TH,+,2,M4,L12,ZPC(WHT),SWR	SA	3
3	2		DC64-03648A	KNOB ENCODER; WW8800M,ABS,NATURAL,MP-0160	SA	1
4	2		DC92-02133C	ASSY PCB DISPLAY; FWM_INV,MK WW8800M_G.LE	SA	1
4-1	3	WX0615	6002-000630	SCREW-TAPPING; PH,+,NO,2S,M3,L8,ZPC(WHT),	SA	1
5	2	WC0016	DC97-20411Q	ASSY PANEL CONTROL; WW8800M,EC,BEST,WHITE	SA	1
5-1	3		DC92-02211A	ASSY MODULE; FWM_Touch Sensor,WW88/7800M	SNA	1
5-2	3		DC64-03701A	PANEL CONTROL; WW8800M,ABS,HG-0760GP,DA W	SNA	1
5-3	3		DC64-03652Q	WINDOW PANEL; WW8800M,EC,MABS,TX-0510,SIL	SNA	1



## 6. Assy Drawer Parts Assy Drawer

### Exploded View



### Parts List

No.	Lvl.	Loc.	Material Code	Description & Specification	SNA	Qty.
0	2	WR0005	DC97-20533B	ASSY DRAWER; WW8800M,AOW,10KG,WHITE	SA	1
1	3		DC61-04507A	BODY DRAWER; WW8800M,PP,DA WHITE,WT0035,F	SA	1
2	3		DC64-03475D	DECORATION PANEL; WW8800M,ABS,SILKY SMOG,	SNA	1
3	3	WC0120	DC64-03650A	PANEL DRAWER; WW8800M,ABS,HG-0760GP,DA WH	SA	1
4	3	WR0037	DC64-03651A	HANDLE DRAWER; WW8800M,ABS,HG-0760GP,DA W	SA	1
5	3		DC67-00928A	CAP GUIDE WATER; WW8800M,PP,MT43,Honesty	SA	1
6	3	WR0002	DC97-20420A	ASSY CASE DETERGENT; WW8800M,WW10M8	SA	1
6-1	4		DC63-02161A	COVER DETERGENT; WW10M86DQOO/EU,PP,DA WHI	SA	1
6-2	4		DC67-00946A	CAP DETERGENT; WW10M86DQOO/EU,ABS,HG-0760	SA	1

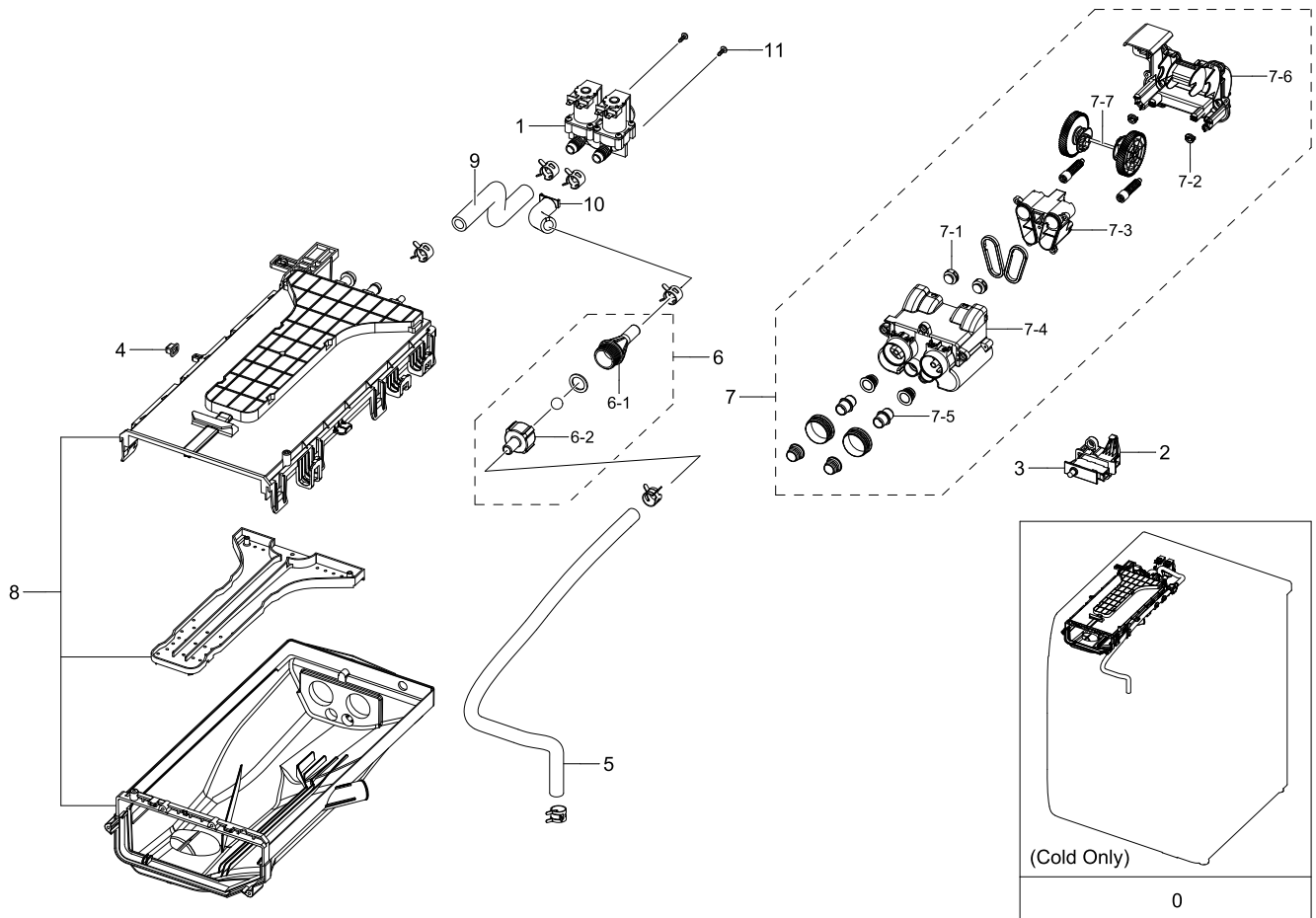
Exploded Views and Parts List

No.	Lvl.	Loc.	Material Code	Description & Specification	SNA	Qty.
6-3	4	WI0004	DC97-20415A	ASSY CAP V.W; WW8800M,WW10M8	SA	1
6-3-1	5		DC62-00490A	SEAL RING; ASD,Si,BLACK,Hs50,O.D33	SNA	1
6-3-2	5		DC62-00493A	SEAL RING; ASD,Si,BLACK,Hs50,O.D14.7	SNA	1
7	3	WI0007	DC97-20422A	ASSY CASE RINSE; WW8800M,WW10M8	SA	1
7-1	4		DC63-02162A	COVER DETERGENT; WW10M86DQOO/EU,PP,DA WHI	SA	1
7-2	4		DC67-00947A	CAP DETERGENT; WW10M86DQOO/EU,ABS,HG-0760	SA	1
7-3	4	WI0004	DC97-20415A	ASSY CAP V.W; WW8800M,WW10M8	SA	1
7-3-1	5		DC62-00490A	SEAL RING; ASD,Si,BLACK,Hs50,O.D33	SNA	1
7-3-2	5		DC62-00493A	SEAL RING; ASD,Si,BLACK,Hs50,O.D14.7	SNA	1



## 7. Assy Drawer Parts Assy Housing Drawer

### Exploded View



### Parts List


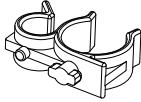

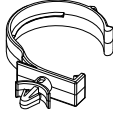

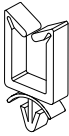

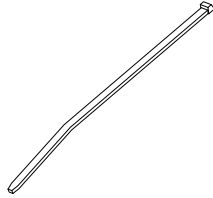
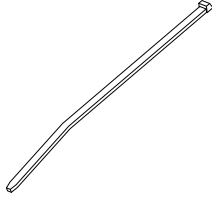
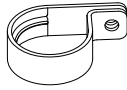
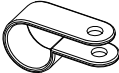


No.	Lvl.	Loc.	Material Code	Description & Specification	SNA	Qty.
0	2	WR0008	DC97-20534A	ASSY HOUSING DRAWER; WW8800M,WW10M8,Auto	SA	1
1	3	WE5152	DC62-00024M	VALVE WATER; AC220-240V,Bracket,1in 2out,	SC	1
2	3		DC63-02160A	COVER DOOR SWITCH; WW10M86DQOO/EU,PP,NATU	SA	1
3	3		DC64-00828H	SWITCH DOOR; AC125-250V,0.75-1.5A,1BUTTON	SA	1
4	3		DC67-00327A	CAP DRAWER HOOK; HEBA-PJT,EPDM,T1.1,BLACK	SA	1
5	3		DC67-00849C	HOSE DRAWER; WW8800M AOW,EPDM,ID9,HS65,BL	SA	1
6	3		DC93-00306A	ASSY S.NOZZLE CONNECTOR; WD0804,SCOUT COM	SA	1
6-1	4	WL0011	DC62-00182A	NOZZLE CONNECTOR-UP; COMBO,POM,NATURAL,TS	SA	1

## Exploded Views and Parts List

No.	Lvl.	Loc.	Material Code	Description & Specification	SNA	Qty.
6-2	4	WL0010	DC62-00183A	NOZZLE CONNECTOR-LOW; COMBO,POM,NATURAL	SA	1
7	3		DC97-19821A	ASSY PUMP DRAIN; ASD,WD9500M,12V,DC	SA	1
7-1	4		DC61-03794A	GUIDE REAR-RIGHT; H900E,POM,T1.5,K300,NAT	SNA	2
7-2	4		DC61-03796A	GUIDE CARRIER; H900E,POM,T2,HB,F20-03,NAT	SNA	2
7-3	4		DC61-04268A	GUIDE DETERGENT; ASD,PP,T2,HB,FC2305,WHIT	SNA	1
7-4	4		DC61-04269A	CASE GEAR; ASD,PP,WHITE,HB,FC2305	SNA	1
7-5	4		DC62-00489A	PIPE PUMP; ASD,PP,WHITE,FC2305	SNA	2
7-6	4		DC63-01990A	COVER MOTOR; ASD,PP,T2,HB,WHITE,FC2305	SNA	1
7-7	4	WS0167	DC66-00817B	SHAFT; DD-PJT,STS304,L86.2,OD3,T3	SNA	1
8	3	WR0012	DC97-20535A	ASSY S.HOUSING DRAWER; WW8800M,Auto Dispe	SA	1
9	3		DC67-00949A	HOSE DRAWER; WW10M86DQOA/EU,EPDM,ID9,HS65	SA	1
10	3		DC67-00732A	HOSE NOZZLE; EPDM	SA	1
11	2		6009-002233	SCREW-SPECIAL; TH,+,M4,L12(Tap6),ZPC(WHT)	SA	2

## 8. Small Parts

### Exploded View

				
1	2	3	4	5
				
6	7	8	9	10
				
11	12	13		

### Parts List

No.	Lvl.	Loc.	Material Code	Description & Specification	SNA	Qty.
1	2	WI0293	DC61-40083A	HOLDER WIRE; DAWH-3ND,PA66,NATURAL,NTR(PI	SNA	2
2	2		DC61-00133A	CLAMPER HOSE-FIX; P1291,PP,HOSE+PLUG,BJ-7	SNA	1
3	2		DC61-00118A	CLAMP-CABLE; P1291,PA66,ID27,OD30,NATURAL	SNA	1
4	2		DC61-02879A	HOLDER WIRE; WF8804CPA,PA,L58.6,NATURAL,2	SA	1
5	2	WI0295	DC61-60074A	HOLDER WIRE; PA,NATURAL,101F,rectangle	SA	3
6	3	WI0294	DC61-00553B	CABLE CLAMP; DAWS-3NE,PA66,NTR	SNA	2
7	2		6502-000127	CABLE CLAMP; DAWH-18NB,PA66,NTR	SA	1
8	3	WJ0021	6501-001001	CABLE TIE; DACT-100A,T1.0,W2.5,L100,NTR,N	SNA	1
9	3	WJ0021	6501-000123	CABLE TIE; T1.2,W3.6,L146,NYLON	SNA	2
10	2	WI0293	DC61-40081A	HOLDER WIRE; DAWH-2NC,PA66,NATURAL	SA	1

Exploded Views and Parts List

---

No.	Lvl.	Loc.	Material Code	Description & Specification	SNA	Qty.
11	3	WX0599	6502-000168	CABLE CLAMP; DA-6N,ID10.0,T1.0,NYLON6/6,N	SNA	1
12	5	WI0293	DC61-02435A	HOLDER-WIRE; PA,T2.5,W24,L61.0,NATURAL	SA	1
13	3	WI0295	DC61-60074A	HOLDER WIRE; PA,NATURAL,101F,rectangle	SA	1