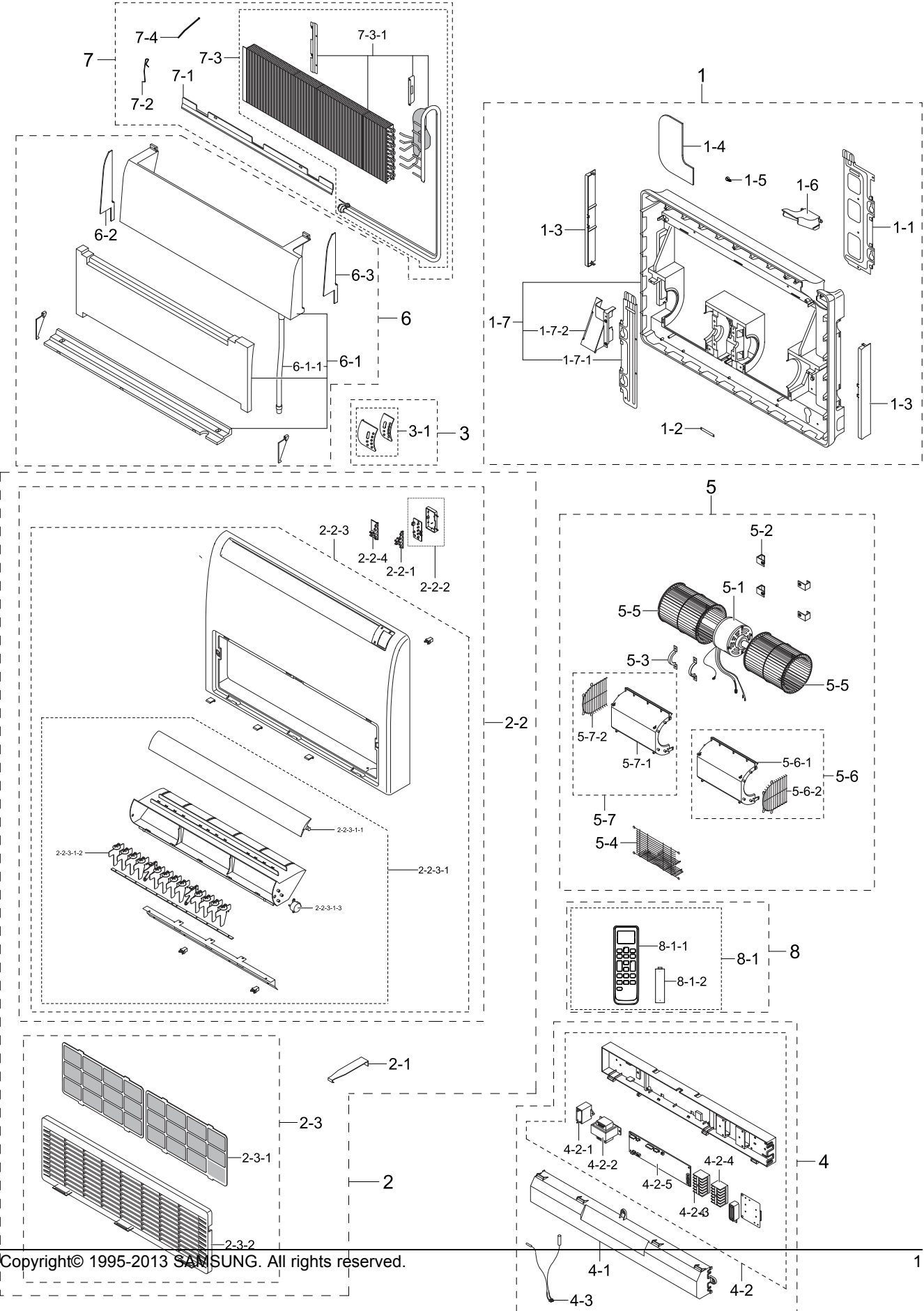


1. NS071CDXEA

Exploded View



Parts List

No.	Lvl.	Loc.	Material Code	Description & Specification	SNA	Qty.
1	1	A0152	DB90-04206A	ASSY CABI IN PARTS; FH070EAV1,SSEC	SNA	1
1-1	2	P0233	DB61-01150A	PLATE-HANGER RH; AFSFC072EA0,SGCC-M,T1,-,	SA	1
1-2	2	B0402	DB61-01155A	BRACKET COVER-PIPE; AFSFC072EA0,SGCC-M,T1	SNA	1
1-3	2	C1463	DB63-00602A	COVER-SIDE; AFSFC072EA0,ABS,T2,CEILING	SA	2
1-4	2	RI251	DB62-04850A	INSULATION-BACK A; FH070EAMC,FOAM-PE,3,15	SNA	1
1-5	2	C0515	DB65-10074F	CLAMP-CABLE; WAC,NYLON 6,T1.0,NATURAL,NYL	SNA	2
1-6	2	A0797	DB90-03155B	ASSY COVER-PIPE; UH070EAV1,SSEC	SA	1
1-7	2		DB90-05003C	ASSY CABINET-BASE PART; NS018CCREC,SSEC,C	SA	1
1-7-1	3	P0231	DB61-01149A	PLATE-HANGER LF; AFSFC072EA0,SGCC-M,T1,-,	SA	1
1-7-2	3		DB97-09426A	ASSY DRAIN-SUB RH; FH070EAV1,HIPS,T2,WHIT	SA	1
2	1	A1698	DB92-01473A	ASSY PANEL FRONT PARTS; -,,-,WHITE,-,-,R	SNA	1
2-1	2	P0230	DB61-01153A	PLATE-HANGER FRONT; AFSFC072EA0,SGCC-M,T0	SA	1
2-2	2		DB90-05239A	ASSY CABINET-FRONT; FH052EAMC,SSEC	SA	1
2-2-1	3	C1363	DB63-00604A	COVER-LED; AFSFC072EA0,ABS,T2,-,-,-,-,C	SNA	1
2-2-2	3	P0060	DB90-03142A	ASSY CASE-DISPLAY PCB; FH070EAMC,SSEC,ASS	SNA	1
2-2-3	3		DB90-05038A	ASSY CABINET-FRONT; FH052EAMC,SSEC	SA	1
2-2-3-1	4	A0369	DB90-03133A	ASSY-BRACKET OUTLET; FH070EAMC,CEILING SS	SA	1
2-2-3-1-15		B0147	DB31-00157A	BLADE-H; AFSFC072EA0,ABS,CEILING	SA	1
2-2-3-1-25		B0179	DB31-00158A	BLADE-V; AFSFC072EA0,ABS,CEILING	SA	12
2-2-3-1-35		M0045	DB31-10113A	MOTOR STEP; MP35,-,100mA,-,-,-,-,-,-,-,	SA	1
2-2-4	3	A0694	DB93-04736A	ASSY PCB SUB-DISPLAY; FH052EAMC,SSEC	SA	1
2-3	2		DB92-01727C	ASSY GRILLE-AIR INLET; FH070EAMC,SSEC	SNA	1
2-3-1	3	F0136	DB63-02236A	FILTER-AIR; CEILING,PP,T2,240,416,GRAY,SS	SA	2
2-3-2	3	G0034	DB64-00684A	GRILLE-AIR INLET; AFSFC072EA0,ABS,T2,CEIL	SA	1
3	1	A0882	DB93-04776A	ASSY DISPLAY PARTS; SSEC CEILING,SSEC	SNA	1
3-1	2	A0882	DB93-04852A	ASSY DISPLAY; FH070EAMC,CEILING P/T	SA	1
4	1	A0696	DB93-06748B	ASSY CONTROL IN PARTS; HP,INV,7.1KW,50HZ,	SNA	1
4-1	2	RD048	DB90-05052A	ASSY COVER CONTROL; GALAXY 3,SSEC	SNA	1
4-2	2	A0696	DB93-05193C	ASSY CONTROL IN; HP,NO,70K BTU,-,220-240,	SA	1

No.	Lvl.	Loc.	Material Code	Description & Specification	SNA	Qty.
4-2-1	3	RI597	2301-001960	C-FILM,LEAD; 6000nF,+10-5%,450V,BK,47x26x	SA	1
4-2-2	3	A2815	DB26-00080A	TRANS POWER; -,DVM DUCT,-,2,AC 230V, 50	SA	1
4-2-3	3	A2816	DB65-00105M	TERMINAL BLOCK; MINI-DVM,PBT,6-TAB_6-SCRE	SNA	1
4-2-4	3	A2816	DB65-00176E	TERMINAL BLOCK; FORTE-PJT,PBT,4-TAB_4-SCR	SNA	1
4-2-5	2	A1756	DB93-08867H	ASSY PCB MAIN-IN; N	SA	1
4-3	2	A2788	DB95-02011A	ASSY THERMISTOR OUT; SAC,SSEC	SA	1
5	1	A1072	DB94-01862A	ASSY FAN IN PARTS; FH070EAV1,SSEC	SNA	1
5-1	2	M0039	DB31-00467D	MOTOR FAN; Y5S413B215,CELLING,0.51A,101W,	SA	1
5-2	2	H0256	DB61-01162A	HOLDER-MOTOR; AFSFC072EA0,SGCC-M,T1.2,CEI	SNA	4
5-3	2	C1378	DB63-00611A	COVER-MOTOR; AFSFC072EA0,SGCC-M,T1.6,-,-,	SA	2
5-4	2	G0181	DB63-00738A	GUARD-SAFETY; FC070ZEA,HSWR-SWRH	SA	1
5-5	2	B0193	DB67-00260A	BLOWER; AFSFC072EA0,ABS,OD145,CEILING	SA	2
5-6	2		DB90-05283A	ASSY CASE-FAN UP; ceiling,SSEC	SA	1
5-6-1	3	C0166	DB61-01160A	CASE FAN-UP; AFSFC072EA0,HIPS,2.0T,WHT,CE	SA	1
5-6-2	3	G0153	DB63-00739A	GUARD FAN; FC070ZEA,HSWR-SWRH	SA	1
5-7	2		DB90-05283B	ASSY CASE-FAN UP; ceiling,SSEC	SA	1
5-7-1	3	C0166	DB61-01160A	CASE FAN-UP; AFSFC072EA0,HIPS,2.0T,WHT,CE	SA	1
5-7-2	3	G0153	DB63-00739A	GUARD FAN; FC070ZEA,HSWR-SWRH	SA	1
6	1	A0915	DB94-01850A	ASSY DRAIN PARTS; -,-,-,R410A,-,FH070EA	SNA	1
6-1	2	A2817	DB91-00433B	ASSY DRAIN PAN; FH070EAV1,CEILING	SA	1
6-1-1	3	A0912	DB94-00458G	ASSY HOSE DRAIN; WHITE,RIGHT,550,Y,CEILIN	SA	1
6-2	2	A0829	DB97-05612A	ASSY-CUSHION SIDE LF; FH070EAMC,CEILING P	SNA	1
6-3	2	A0827	DB97-05613A	ASSY-CUSHION SIDE RH; FH070EAMC,CEILING P	SNA	1
7	1	A1008	DB96-09915A	ASSY EVAP PARTS; FH070EAV1,SSEC	SNA	1
7-1	2	C1254	DB63-00624A	COVER-EVAP; AFSFC072EA0,HIPS,T2,CEILING	SNA	1
7-2	2	S0224	DB67-60030A	SPRING-SENSOR; WW2-PJT,STS301,0.4,T0.4,W2	SNA	1
7-3	2	A1008	DB96-07284G	ASSY EVAP-UNIT; FH052EAV,ceiling p/j	SC	1
7-3-1	3	A1008	DB96-11498G	ASSY EVAP; FH070EAVC,SSEC	SA	1
7-4	2	C0095	DB65-10088C	CABLE TIE; WHITE,NY66	SNA	1
8	1	A0001	DB97-17107A	ASSY ACCESSORY IN PARTS; HP,INV,NS071NDXE	SNA	1

Exploded Views and Parts List

No.	Lvl.	Loc.	Material Code	Description & Specification	SNA	Qty.
8-1	2		DB97-17846A	ASSY ACCESSORY-REMOCON; HP,INV,N,MR-DH00,	SNA	1
8-1-1	3	R0043	DB93-11115N	ASSY REMOCON; ARH-5012,GLOBAL 4WAY ENG	SA	1
8-1-2	3		4301-000121	BATTERY-MN; 1.5V,R03,10.5x44.5m,HOLDER,7.	SNA	2