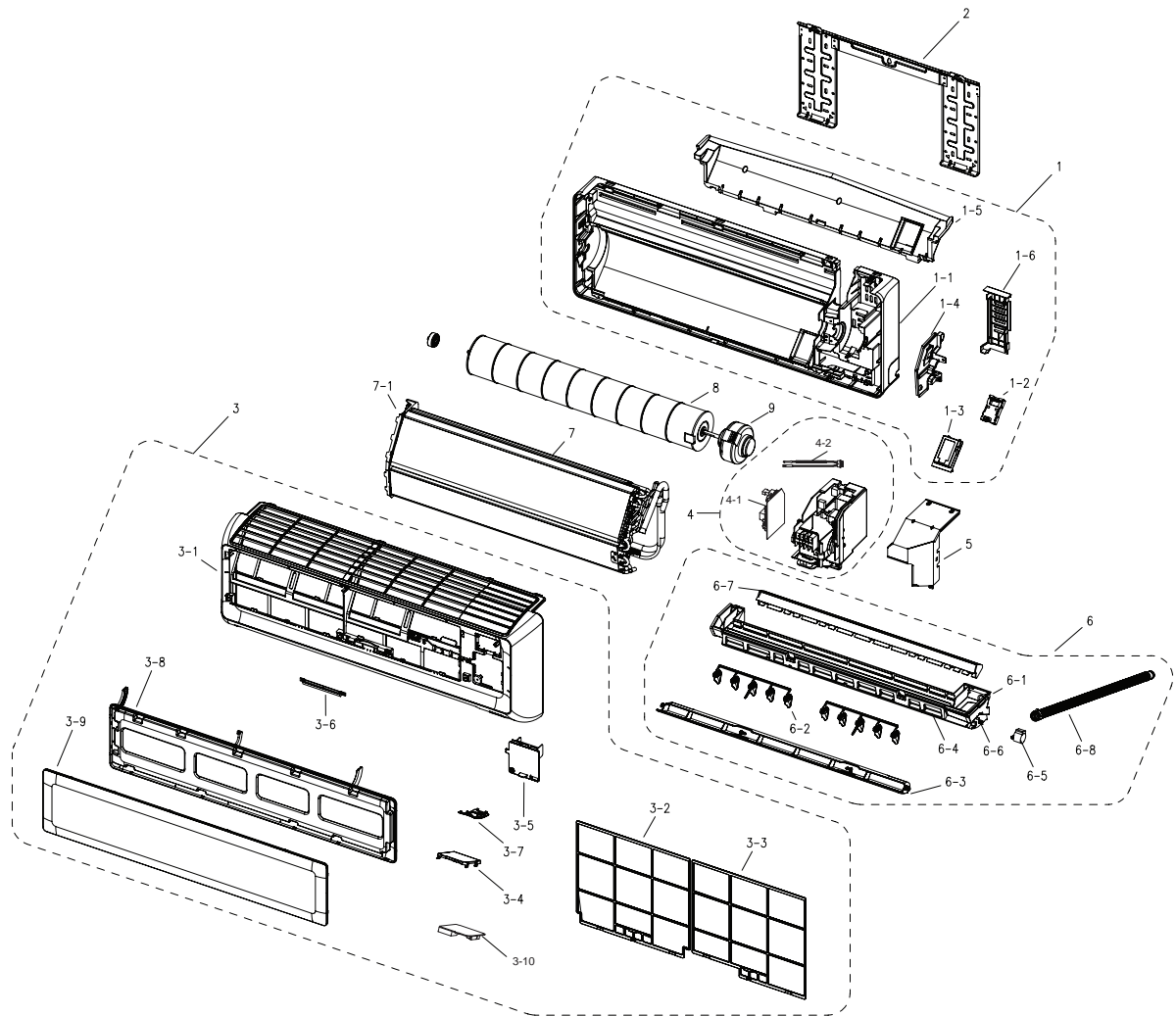


5. Exploded Views and Parts List

5-1 Indoor Unit

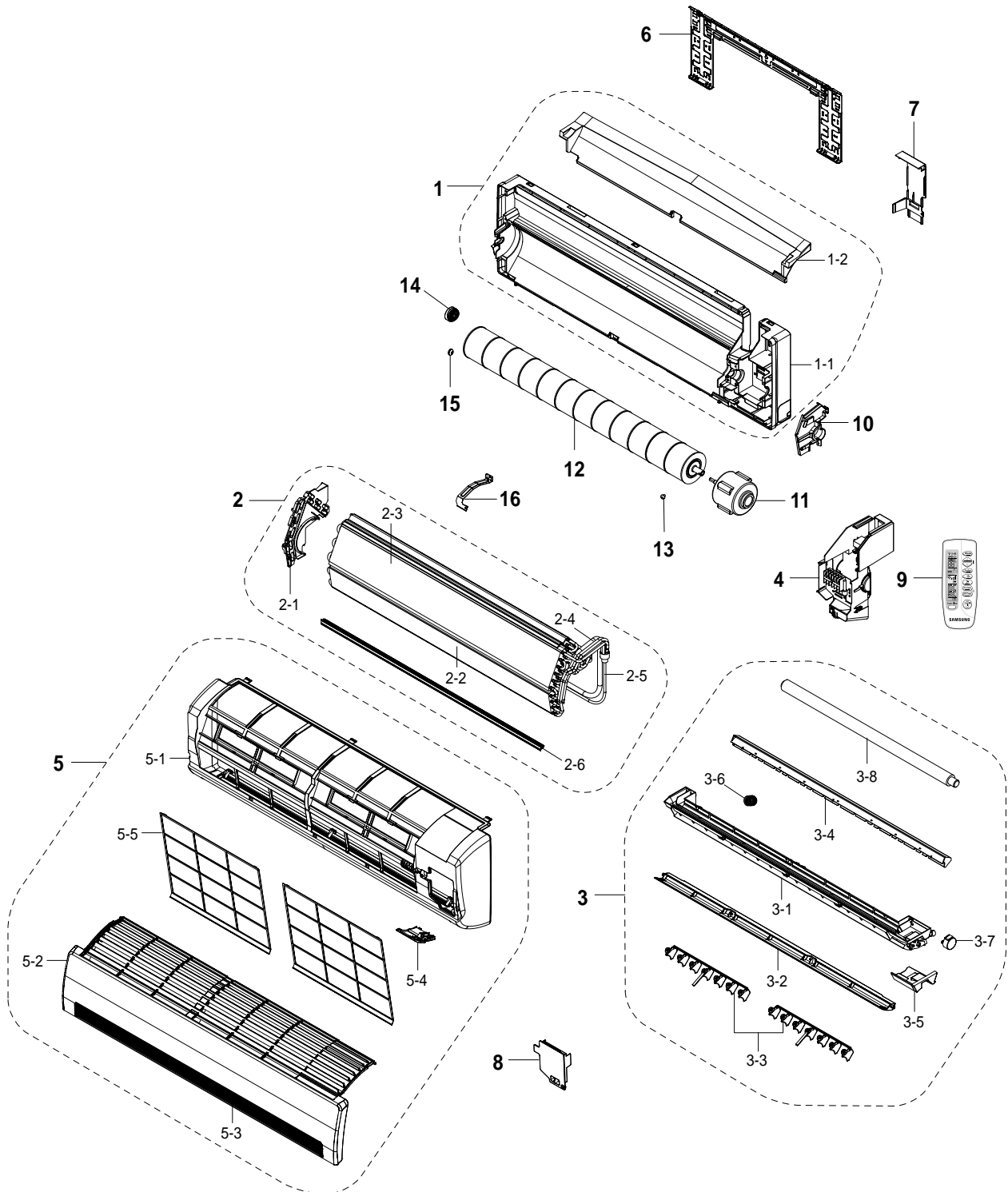
5-1-1 MH020FNEA/MH026FNEA/MH035FNEA/MH**VF1-**



■ Parts List

No.	Code No.	Description	Specification	Q'TY		SA/SNA	Remark
				MH020FNEA MH026FNEA MH18VF1-09 MH19VF1-07	MH035FNEA MH19VF1-12		
1	DB94-00454H	ASS'Y BACK BODY	ASS'Y	1	1	SA	
1-1	DB61-01632D	BACK BODY	HIPS	1	1	SNA	
1-2	DB69-00834A	CUSHION BACK BODY	EPS	1	1	SNA	
1-3	DB96-03149A	ASS'Y SUPPORT EVAP RH	HIPS	1	1	SA	
1-4	DB31-00219A	MOTOR IN	220-240V~,50/60Hz,Class E	1	1	SA	
1-5	DB94-00456A	ASS'Y CROSS FAN	OD92xL635	1	1	SA	
1-6	DB97-02075A	ASS'Y BOLT SPECIAL	ASS'Y	1	1	SNA	
1-7	DB94-00455A	ASS'Y RUBBER BEARING	ASS'Y	1	1	SNA	
1-8	DB94-40007A	ASS'Y BEARING	BEARING	1	1	SA	
1-9	DB69-00833A	CUSHION EVAP UP	EPS	1	-	SA	MH020FNEA/MH19VF1-07 Only
2	DB96-07613A	ASS'Y EVAP TOTAL	ASS'Y	1	1	SA	
2-1	DB63-00850A	COVER BEARING	ABS	1	1	SNA	
2-2	DB96-03060G	ASS'Y EVAP	ASS'Y	1	1	SNA	
3	DB94-00457J	ASS'Y TRAY DRAIN	ASS'Y	1	1	SA	
3-1	DB63-00848A	TRAY DRAIN	ABS	1	1	SNA	
3-2	DB61-01635C	BLADE-H	HIPS	1	1	SA	
3-3	DB61-01636A	BLADE-V	PP	1	1	SA	
3-4	DB63-00849A	TRAY STABILIZER	ABS	1	1	SNA	
3-5	DB69-00839A	CUSHION EPS TRAY RH	EPS	3	3	SA	
3-6	DB73-00180A	RUBBER CAP DRAIN	GUM-EPM	3	3	SNA	
3-7	DB31-00371A	ASS'Y MOTOR STEPPING	220-240V~,50/60Hz,Class E	1	1	SA	
3-8	DB94-00458B	ASS'Y DRAIN HOSE	ASS'Y	1	1	SA	
4	DB93-06025A	ASS'Y CONTROL IN	ASS'Y	1	1	SA	
5	DB92-01237A	ASS'Y PANEL FRONT	ASS'Y	1	1	SA	
5-1	DB64-00989E	PANEL FRONT	HIPS	1	1	SA	
5-2	DB92-01207A	ASS'Y GRILLE AIR INLET	ASS'Y	1	1	SA	
5-3	DB90-03094A	ASS'Y COVER DISPLAY	ASS'Y	1	1	SA	
5-4	DB63-01591A	GUARD AIR FILTER	PP	1	1	SNA	
6	DB97-02851B	ASS'Y PLATE HANGER	ASS'Y	1	-	SNA	
7	DB61-01638B	HOLDER PIPE	PS	1	1	SNA	
8	DB90-03965A	ASS'Y COVER TERMINAL	ASS'Y	1	1	SA	
9	DB93-03170Z	ASS'Y REMOCON	ARH-463	1	1	SA	

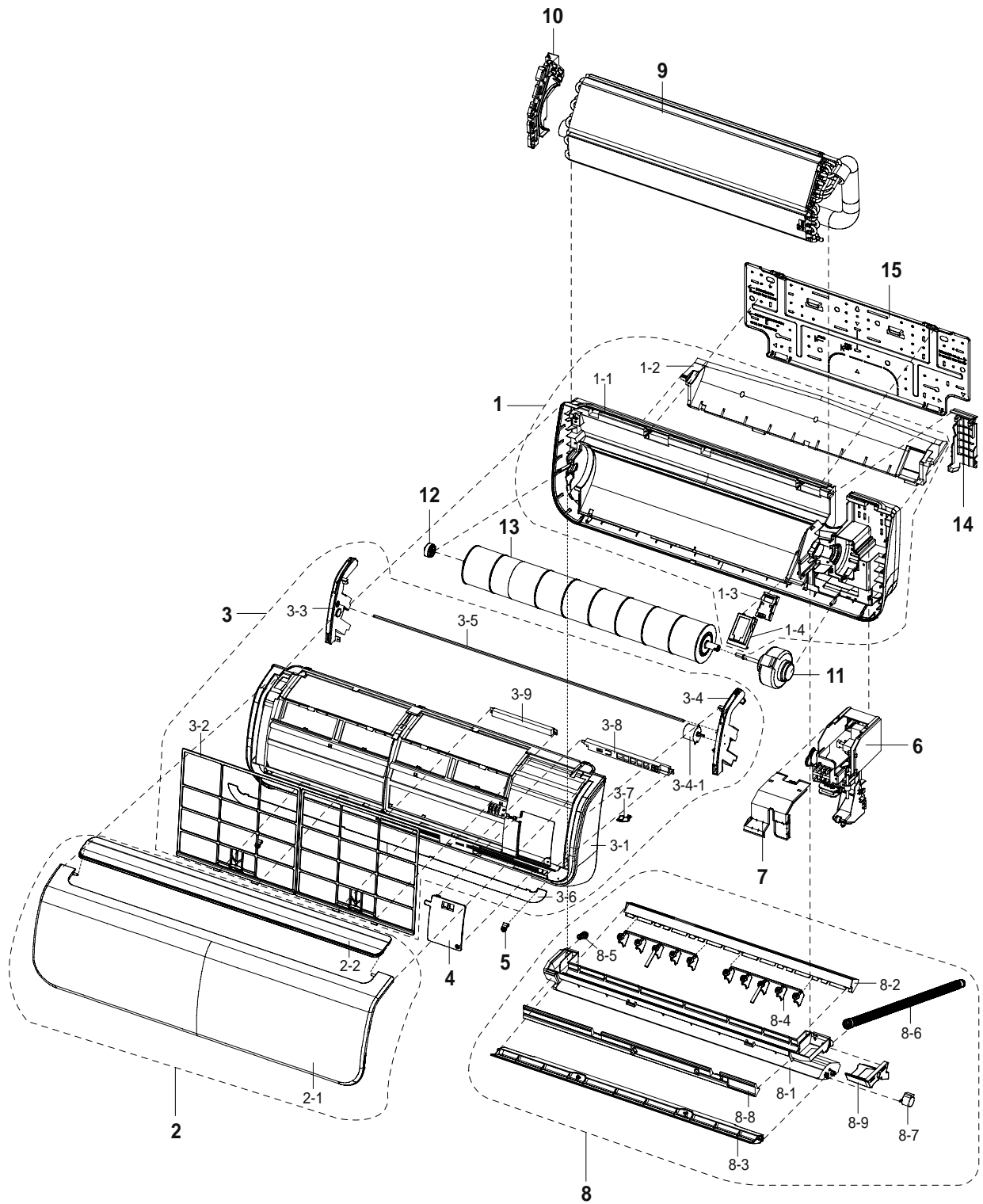
5-1-2 MH052FNEA



■ Parts List

No.	Code No.	Description	Specification	Q'TY	SA/SNA
1	DB94-00615B	ASS'Y BACK BODY	ASS'Y	1	SA
1-1	DB61-01974B	BACK BODY	HIPS	1	SNA
1-2	DB69-01039A	CUSHION BACK BODY	EPS	1	SNA
2	DB96-06587D	ASS'Y EVAP TOTAL	ASS'Y	1	SA
2-1	DB63-01065A	COVER BEARING	ABS	1	SNA
2-2	DB96-07606A	ASS'Y EVAP MAIN	ASS'Y	1	SNA
2-3	DB96-06525B	ASS'Y EVAP SUB	ASS'Y	1	SNA
2-4	DB96-07590A	ASS'Y TUBE EVAP OUT	ASS'Y	1	SA
2-5	DB96-07589A	ASS'Y TUBE EVAP IN	ASS'Y	1	SA
2-6	DB60-00192A	SPACER EVAP LOW	PVC	1	SNA
3	DB94-00616E	ASS'Y TRAY DRAIN	ASS'Y	1	SA
3-1	DB63-01071A	TRAY DRAIN	ABS	1	SNA
3-2	DB61-01975C	BLADE-H	HIPS	1	SA
3-3	DB61-01976A	BLADE-V	PP	2	SA
3-4	DB63-01066A	TRAY STABILIZER	ABS	1	SNA
3-5	DB69-01024A	CUSHION EPS TRAY RH	EPS	1	SA
3-6	DB73-00180A	RUBBER CAP DRAIN	GUM-EPM	1	SNA
3-7	DB31-00285A	ASS'Y MOTOR STEPPING	220-240V~,50/60Hz,Class E	1	SA
3-8	DB94-00458B	ASS'Y DRAIN HOSE	ASS'Y	1	SA
4	DB93-06038A	ASS'Y CONTROL IN	ASS'Y	1	SA
5	DB92-01235A	ASS'Y PANEL FRONT	ASS'Y	1	SA
5-1	DB64-01184C	PANEL FRONT	HIPS	1	SA
5-2	DB64-02045A	GRILLE AIR INLET	HIPS	1	SA
5-3	DB64-02046A	DECORATION GRILLE	PC(GRAY)	1	SA
5-4	DB93-02867C	ASS'Y COVER DISPLAY	ASS'Y	1	SA
5-5	DB63-01592B	GUARD AIR FILTER	PP	2	SNA
6	DB90-02738A	ASS'Y PLATE HANGER	ASS'Y	1	SNA
7	DB61-01981B	HOLDER PIPE	PS	1	SNA
8	DB90-03966A	ASS'Y COVER TERMINAL	ASS'Y	1	SA
9	DB93-03170Z	ASS'Y REMOCON	ARH-463	1	SA
10	DB96-03817A	ASS'Y SUPPORT EVAP RH	HIPS	1	SA
11	DB31-00267A	MOTOR IN	220-240V~,50/60Hz,Class E	1	SA
12	DB94-00456B	ASS'Y CROSS FAN	OD92	1	SA
13	DB97-02075A	ASS'Y BOLT SPECIAL	ASS'Y	1	SNA
14	DB94-00455A	ASS'Y RUBBER BEARING	ASS'Y	1	SNA
15	DB94-40007A	ASS'Y BEARING MOTOR	BEARING	1	SA
16	DB61-01977A	BRACKET EVAP	SGCC-M	1	SA

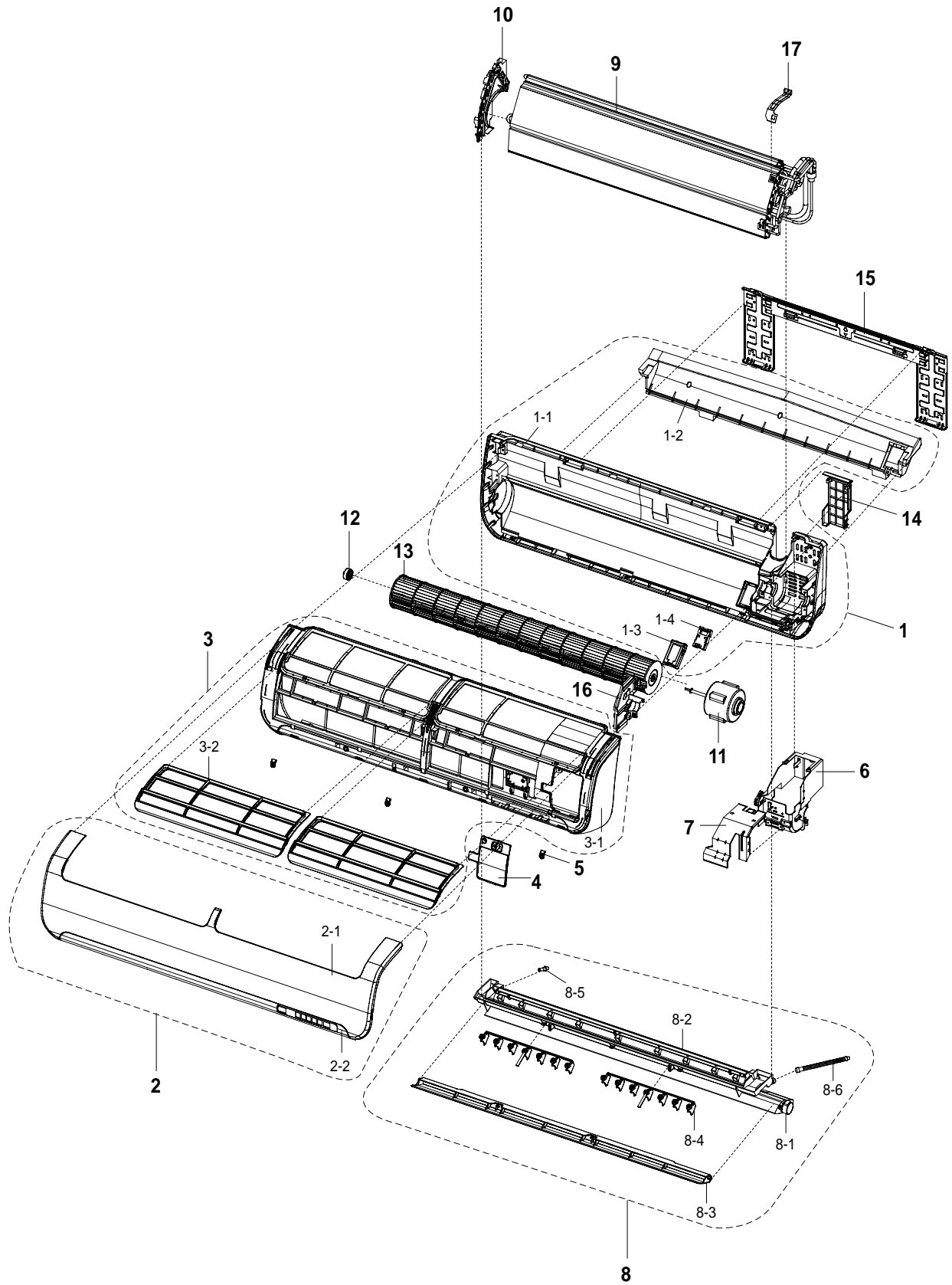
5-1-3 MH023FBEA/MH026FBEA/MH035FBEA



■ Parts List

No.	Code No.	Description	Specification	Q'TY	SA/SNA
				MH023FBEA MH026FBEA MH035FBEA	
1	DB94-01555A	ASS'Y-BODY BACK	ASS'Y	1	SA
1-1	DB61-03295A	BODY BACK	HIPS	1	SNA
1-2	DB62-05141A	SEAL-INSUL BODY REAR	EPS(30)	1	SNA
1-3	DB63-01812A	COVER-MPI	HIPS	1	SA
1-4	DB93-04230A	ASS'Y-COMPACT MPI	ASS'Y	1	SA
2	DB92-01124C	ASS'Y GRILLE	ASS'Y	1	SA
2-1	DB64-01872A	GRILLE-AIR INLET	ABS	1	SA
2-2	DB64-01867A	GRILLE-DOOR	ABS	1	SA
3	DB92-01125A	ASS'Y PANEL FRONT	ASS'Y	1	SA
3-1	DB64-01866A	PANEL FRONT	HIPS	1	SNA
3-2	DB63-01826A	FILTER-PRE	PP	2	SA
3-3	DB92-01122A	ASS'Y-RACK GRILLE LF	ASS'Y	1	SA
3-4	DB92-01123A	ASS'Y-RACK GRILLE RH	ASS'Y	1	SA
3-4-1	DB31-00368B	MOTOR STEP	DC12V,3500gf.cm	1	SNA
3-5	DB66-01256A	SHAFT-PINION	STS304	1	SNA
3-6	DB64-01873A	WINDOW-DISPLAY	PMMA	1	SNA
3-7	DB64-01876A	BUTTON-POWER	PMMA	1	SNA
3-8	DB93-05779A	ASS'Y DISPLAY	ASS'Y	1	SNA
3-9	DB93-05778A	ASS'Y DISPLAY-MPI	ASS'Y	1	SNA
4	DB90-03967A	ASS'Y COVER TERMINAL	ASS'Y	1	SA
5	DB67-00849A	CAP-SCREW	HIPS	2	SA
6	DB93-05899A	ASS'Y CONTROL IN	ASS'Y	1	SA
7	DB63-01850A	COVER-PBA	SGCC-M	1	SA
8	DB94-01557A	ASS'Y TRAY DRAIN	ASS'Y	1	SA
8-1	DB63-01849A	TRAY DRAIN	ABS	1	SNA
8-2	DB63-01837A	TRAY-STABILIZER	ABS	1	SA
8-3	DB61-03332A	BLADE-H	ABS	1	SA
8-4	DB61-01636A	BLADE-V	PP	2	SA
8-5	DB73-00180A	RUBBER-CAP DRAIN	GUM-EPM	1	SNA
8-6	DB94-00458B	ASS'Y DRAIN-HOSE	ASS'Y	1	SA
8-7	DB31-00371A	MOTOR STEP	DC12V, 600gf.cm	1	SA
8-8	DB62-05155A	SEAL-INSUL TRAY FR	EPS(30)	1	SNA
8-9	DB69-00839A	CUSHION-TRAY RH	EPS(30)	1	SNA
9	DB96-09626A	ASS'Y EVAP-TOTAL	ASS'Y	1	SA
10	DB61-03333A	HOLDER-EVAP	HIPS	1	SA
11	DB31-00474A	MOTOR FAN	0.3A,50/60Hz,35W,220/240V,1350rpm	1	SA
12	DB94-00455A	ASS'Y BEARING-RUBBER	ASS'Y	1	SA
13	DB94-01556A	ASS'Y-CROSS FAN	ASS'Y	1	SA
14	DB61-03296A	HOLDER-PIPE	HIPS	1	SA
15	DB70-00819A	PLATE-HANGER	SGCC-M	1	SA

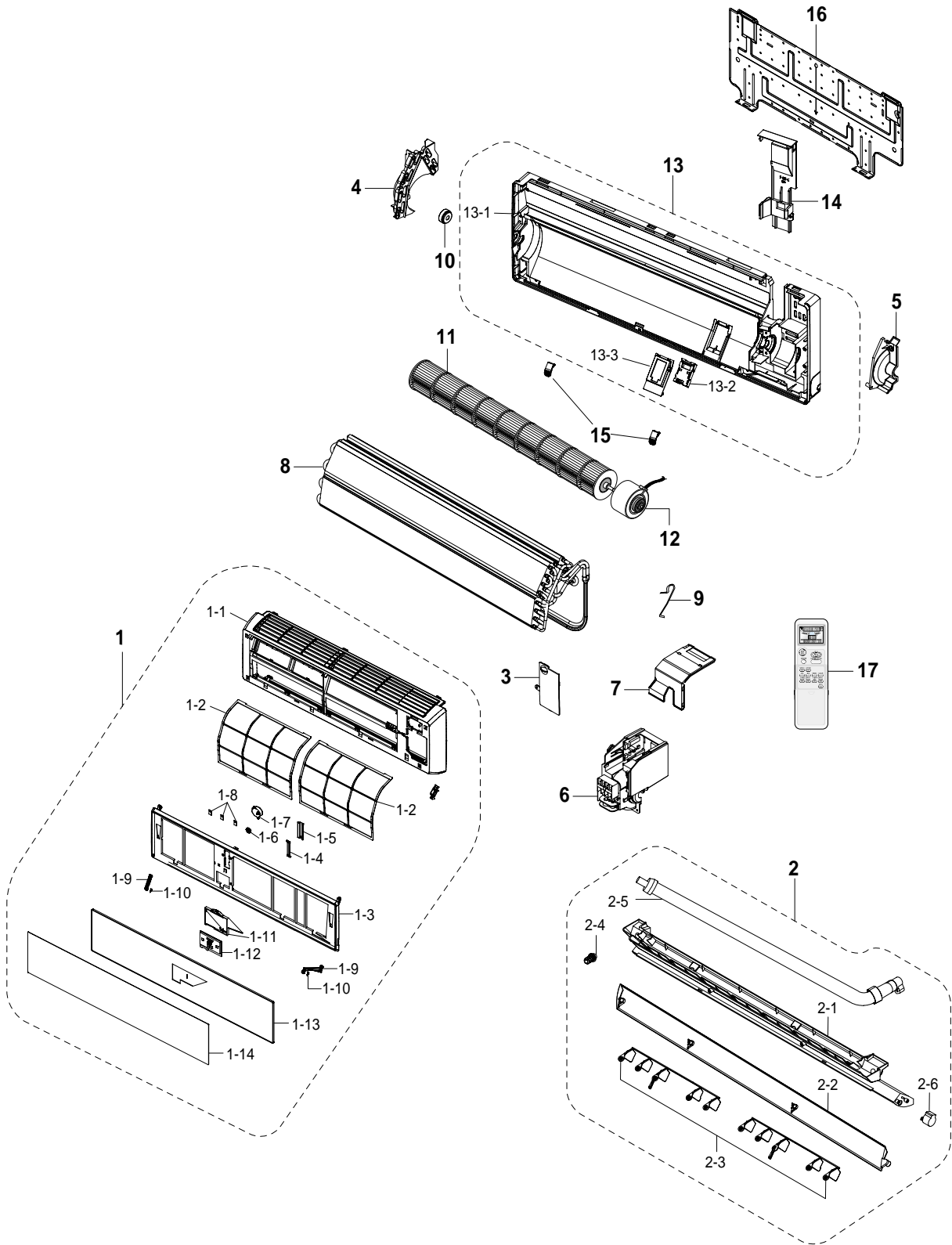
5-1-4 MH052FBEA



■ Parts List

No.	Code No.	Description	Specification	Q'TY	SA/SNA
1	DB94-01547A	ASS'Y-BODY BACK	ASS'Y	1	SA
1-1	DB61-03344A	BODY BACK	HIPS	1	SNA
1-2	DB62-05163A	SEAL-INSUL BODY REAR	EPS(30)	1	SNA
1-3	DB63-01851A	COVER-MPI	HIPS	1	SA
1-4	DB93-04230A	ASS'Y-COMPACT MPI	ASS'Y	1	SA
2	DB92-01120B	ASS'Y GRILLE	ASS'Y	1	SA
2-1	DB64-01880B	GRILLE-AIR INLET	ABS	2	SNA
2-2	DB63-01860B	COVER-DISPLAY	ABS	1	SNA
3	DB92-01119A	ASS'Y PANEL FRONT	ASS'Y	1	SA
3-1	DB64-01882A	PANEL FRONT	HIPS	1	SA
3-2	DB94-01614B	ASS'Y-GUARD AIR FILTER	ASS'Y	1	SA
4	DB90-03968A	ASS'Y COVER TERMINAL	ASS'Y	1	SA
5	DB67-00855B	CAP-SCREW	HIPS	3	SA
6	DB93-05894A	ASS'Y CONTROL IN	ASS'Y	1	SA
7	DB63-01859A	COVER-PBA	SGCC-M	1	SA
8	DB94-01549B	ASS'Y TRAY DRAIN	ASS'Y	1	SA
8-1	DB63-01853A	TRAY DRAIN	ABS	1	SNA
8-2	DB63-01861A	TRAY-STABILIZER	ABS	1	SA
8-3	DB61-03341B	BLADE-H	ABS	1	SA
8-4	DB61-01976B	BLADE-V	PP	2	SA
8-5	DB73-00180A	RUBBER-CAP DRAIN	GUM-EPM	1	SNA
8-6	DB94-00458B	ASS'Y DRAIN-HOSE	ASS'Y	1	SA
9	DB96-09670A	ASS'Y EVAP-TOTAL	ASS'Y	1	SA
10	DB61-03346A	HOLDER-EVAP	HIPS	1	SA
11	DB31-00479A	MOTOR FAN	0.3A,50/60Hz,220/240V	1	SA
12	DB94-00455A	ASS'Y BEARING-RUBBER	ASS'Y	1	SA
13	DB94-01550A	ASS'Y-CROSS FAN	ASS'Y	1	SA
14	DB61-03335A	HOLDER-PIPE	HIPS	1	SA
15	DB90-03483A	ASS'Y PLATE-HANGER	ASS'Y	1	SA
16	DB61-03334A	SUPPORT-EVAP	HIPS	1	SA
17	DB61-03361A	BRACKET-EVAP	SGCC-M	1	SA

5-1-5 MH020FVEA/MH023FVEA/MH026FVEA/MH035FVEA/MH052FVEA



■ Parts List

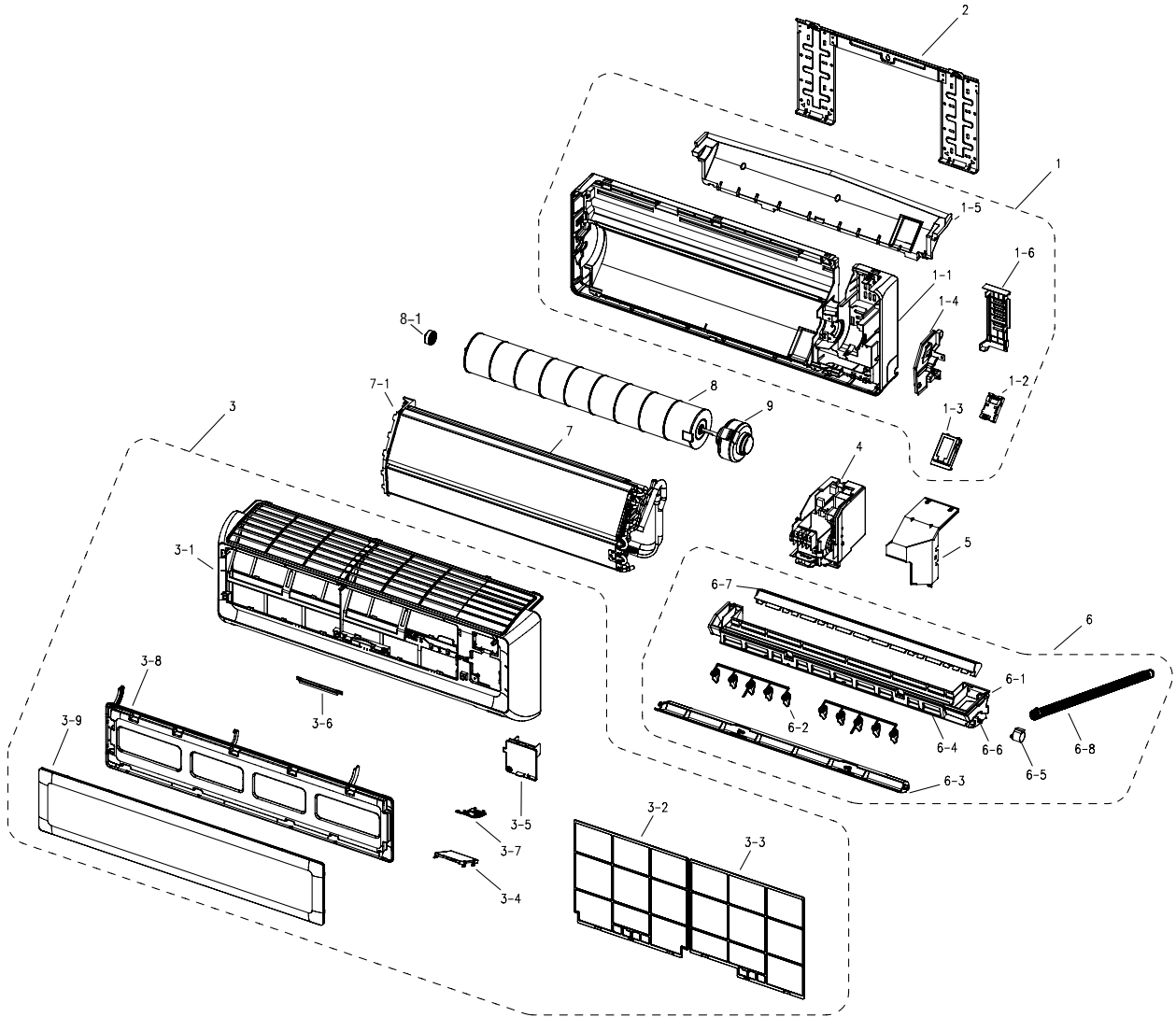
No.	Code No.	Description	Specification	Q'TY			SA/SNA
				MH020FVEA	MH023FVEA MH026FVEA MH035FVEA	MH052FVEA	
1	DB92-01087K	ASS'Y PANEL FRONT	ASS'Y HALF MIRROR	1	1	-	SNA
	DB92-01086J	ASS'Y PANEL FRONT	ASS'Y HALF MIRROR	-	-	1	SNA
1-1	DB64-01633A	PANEL FRONT	HIPS,EMPIRE SILVER	1	1	-	SA
	DB64-01638A	PANEL FRONT	HIPS,EMPIRE SILVER	-	-	1	SA
1-2	DB63-01593A	FILTER-PRE	PP,GRAY	2	2	-	SA
	DB63-01594A	FILTER-PRE	PP,GRAY	-	-	2	SA
1-3	DB64-01634A	PANEL-MID	HIPS,EMPIRE SILVER	1	1	-	SA
	DB64-01639A	PANEL-MID	HIPS,EMPIRE SILVER	-	-	1	SA
1-4	DB66-01152A	LINK-GRILLE	POM,WHITE	1	1	1	SA
1-5	DB66-01156A	GEAR-RACK	POM,WHITE	1	1	1	SA
1-6	DB66-01155A	GEAR-PINION	POM,WHITE	1	1	1	SA
1-7	DB31-00369B	MOTOR STEP	ASS'Y	1	1	1	SA
1-8	DB61-03156A	HOLDER-WIRE	PC,WHITE	-	-	3	SA
1-9	DB66-01176A	LINK-SUPPORT	POM,WHITE	4	4	4	SA
1-10	DB61-03139A	SPRING ETC-GRILLE	STS	1	1	-	SA
	DB61-03139B	SPRING ETC-GRILLE	STS	1	1	-	SA
	DB61-03139C	SPRING ETC-GRILLE	STS	-	-	1	SA
	DB61-03139D	SPRING ETC-GRILLE	STS	-	-	1	SA
1-11	DB63-01630A	COVER-DISPLAY	ABS-FR(17)	1	1	1	SA
1-12	DB93-04452F	ASS'Y DISPLAY	ASS'Y	1	1	1	SA
1-13	DB61-02910A	FRAME-GRILLE	ASS'Y	1	1	-	SA
	DB61-02913A	FRAME-GRILLE	ASS'Y	-	-	1	SA
1-14	DB92-01052A	ASS'Y WINDOW MIRROR	ASS'Y	1	1	-	SNA
	DB92-01052B	ASS'Y WINDOW MIRROR	ASS'Y	-	-	1	SNA
2	DB94-01237A	ASS'Y TRAY DRAIN	ASS'Y	1	1	-	SA
	DB94-01245A	ASS'Y TRAY DRAIN	ASS'Y	-	-	1	SA
2-1	DB63-01578A	TRAY DRAIN	ASS'Y	1	1	-	SA
	DB63-01581A	TRAY DRAIN	ASS'Y	-	-	1	SA
2-2	DB61-02908A	BLADE-H	ABS, EMPIRE SILVER	1	1	-	SA
	DB61-02914A	BLADE-H	ABS, EMPIRE SILVER	-	-	1	SA
2-3	DB61-01636A	BLADE-V	PP	2	2	-	SA
	DB61-01976A	BLADE-V	PP	-	-	2	SA
2-4	DB73-00180A	RUBBER-CAP DRAIN	GUM-EPM	1	1	1	SNA
2-5	DB94-00458B	ASS'Y DRAIN-HOSE	ASS'Y	1	1	1	SA
2-6	DB31-00371A	MOTOR STEP	ASS'Y	1	1	-	SA
	DB31-00370A	MOTOR STEP	ASS'Y	-	-	1	SA
3	DB63-00844D	COVER-TERMINAL	HIPS,V0	1	1	-	SA
	DB63-01063C	COVER-TERMINAL	HIPS,V0	-	-	1	SA
4	DB63-00850A	COVER-BEARING	ABS,BLACK	1	1	-	SNA
	DB63-01065A	COVER-BEARING	ABS,BLACK	-	-	1	SNA

■ Parts List(cont.)

No.	Code No.	Description	Specification	Q'TY			SA/SNA
				MH020FVEA	MH023FVEA MH026FVEA MH035FVEA	MH052FVEA	
5	DB96-03149A	ASS'Y EVAP-SUPPORT RH	ASS'Y	1	1	-	SA
	DB96-03817A	ASS'Y EVAP-SUPPORT RH	ASS'Y	-	-	1	SA
6	DB93-04636A	ASS'Y CONTROL IN	ASS'Y	1	1	-	SNA
	DB93-04664A	ASS'Y CONTROL IN	ASS'Y	-	-	1	SNA
7	DB90-02167B	ASS'Y COVER-CONTROL IN	ASS'Y	1	1	-	SA
	DB90-02082A	ASS'Y COVER-CONTROL IN	ASS'Y	-	-	1	SA
8	DB96-07613A	ASS'Y EVAP-TOTAL	ASS'Y	-	1	-	SNA
	DB96-06587D	ASS'Y EVAP-TOTAL	ASS'Y	-	-	1	SNA
	DB96-09014A	ASS'Y EVAP-TATAL	ASS'Y	1	-	-	SNA
9	DB67-60030A	SPRING-SENSOR	STS301	2	2	2	SNA
10	DB94-00455A	ASS'Y BEARING-RUBBER	ASS'Y	1	1	1	SA
11	DB94-00456A	ASS'Y-CROSS FAN	ASS'Y	1	1	-	SA
	DB94-00456B	ASS'Y-CROSS FAN	ASS'Y	-	-	1	SA
12	DB31-00219A	MOTOR FAN	ASS'Y	1	1	-	SA
	DB31-00267A	MOTOR FAN	ASS'Y	-	-	1	SA
13	DB94-01152B	ASS'Y-BODY BACK	ASS'Y	1	1	-	SA
	DB94-01153B	ASS'Y-BODY BACK	ASS'Y	-	-	1	SA
13-1	DB61-03028A	BODY BACK	HIPS	1	1	-	SA
	DB61-03029A	BODY BACK	HIPS	-	-	1	SA
13-2	DB93-04230A	ASS'Y-COMPACT MPI	ASS'Y	1	1	-	SA
13-3	DB63-01583A	COVER-MPI	HIPS	1	1	-	SA
14	DB61-01638B	HOLDER-PIPE	HIPS	1	1	-	SA
	DB61-01981B	HOLDER-PIPE	HIPS	-	-	1	SA
15	DB67-00499C	CAP-SCREW	HIPS,EMPIRE SILVER	2	2	3	SA
16	DB70-00543A	PLATE-HANGER	SGCC-M	1	1	-	SNA
	DB70-00703A	PLATE-HANGER	SGCC-M	-	-	1	SNA
17	DB93-04700S	ASS'Y REMOCON	ASS'Y	1	1	-	SA

MEMO

5-1-6 MH020FAEA/MH026FAEA/MH035FAEA/MH052FAEA



■ Parts List

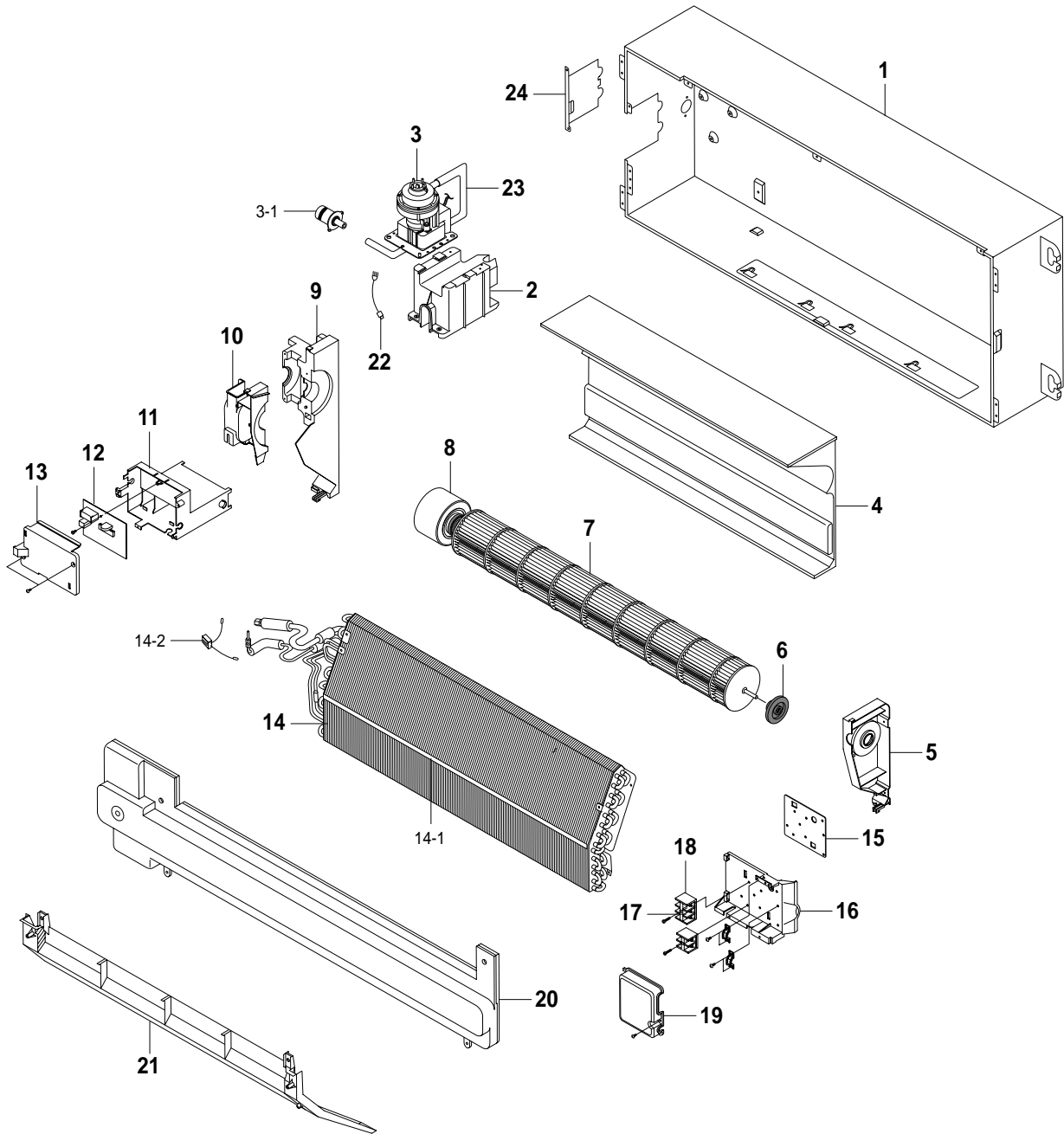
No.	Code No.	Description	Specification	Q'TY		SA/SNA	Remark
				MH020/026 /035FAEA	MH052FAEA		
1	DB94-01921A	ASS'Y BACK BODY	ASS'Y	1	-	SA	
	DB94-01153C	ASS'Y BACK BODY	ASS'Y	-	1	SA	
1-1	DB61-03656A	BODY BACK	HIPS	1	-	SNA	
	DB61-03029B	BODY BACK	HIPS	-	1	SNA	
1-2	DB93-04230B	ASS'Y-MPI	ASS'Y	1	1	SA	
1-3	DB63-01812B	COVER-MPI	HIPS	1	-	SA	
	DB63-01583B	COVER-MPI	HIPS	-	1	SA	
1-4	DB61-03651B	SUPPORT-EVAP RH	HIPS	1	-	SA	
	DB61-03659B	SUPPORT-MOTER IN	HIPS	-	1	SA	
1-5	DB62-05888A	SEAL-INSUL BODY REAR	EPS(30)	1	-	SA	
	DB62-04475A	INSULATION-BODY BACK	EPS(30)	-	1	SA	
1-6	DB61-03666A	HOLDER-PIPE	HIPS	1	-	SA	
	DB61-01981C	HOLDER-PIPE	HIPS	-	1	SA	
2	DB97-02851C	ASS'Y-PLATE HANGER	SGCC-M, T0.6	1	-	SA	
	DB90-02738A	ASS'Y-PLATE HANGER	SGCC-M, T0.6	-	1	SA	
3	DB92-01831A	ASS'Y PANEL FRONT	ASS'Y	1	-	SA	
	DB92-01402S	ASS'Y PANEL FRONT	ASS'Y	-	1	SA	
3-1	DB64-02124A	PANEL FRONT	HIPS	1	-	SNA	
	DB64-02128A	PANEL FRONT	HIPS	-	1	SNA	
3-2	DB63-02143A	FILTER-PRE L	PP	1	-	SA	
	DB63-02129A	FILTER-PRE L	PP	-	1	SA	
3-3	DB63-02144A	FILTER-PRE R	PP	1	-	SA	
	DB63-02130A	FILTER-PRE R	PP	-	1	SA	
3-4	DB90-04375F	ASS'Y CASE-PCB	ASS'Y	1	1	SA	
3-5	DB63-02120B	COVER TERMINAL	HIPS(5V)	1	-	SA	
	DB63-02132B	COVER TERMINAL	HIPS(5V)	-	1	SA	
3-6	DB93-07043A	ASS'Y DISPLAY-MPI	ASS'Y	1	-	SA	
	DB93-07043B	ASS'Y DISPLAY-MPI	ASS'Y	-	1	SA	
3-7	DB90-04305C	ASS'Y COVER DISPLAY	ASS'Y	1	-	SA	
	DB90-04301A	ASS'Y COVER DISPLAY	ASS'Y	-	1	SA	
3-8	DB92-01407G	ASS'Y GRILLE	ASS'Y	1	-	SA	
	DB92-01399F	ASS'Y GRILLE	ASS'Y	-	1	SA	
3-8-1	DB64-02126A	GRILLE-FRAME	transparent ABS	1	-	SA	
	DB64-02130A	GRILLE-FRAME DLX	transparent ABS	-	1	SA	
3-8-2	DB64-02125C	GRILLE-WINDOW	transparent ABS	1	-	SNA	
	DB64-02129E	GRILLE-AIR INLET	transparent ABS	-	1	SNA	
3-9	DB93-06984H	ASS'Y PCB SUB-DISPLAY	ASS'Y	1	1	SA	
4	DB93-08636A	ASS'Y CONTROL IN	ASS'Y	1	-	SA	
	DB93-08675A	ASS'Y CONTROL IN	ASS'Y	-	1	SA	
4-1	DB93-08241A	ASS'Y PCB MAIN	ASS'Y	1	-	SA	
	DB93-08241B	ASS'Y PCB MAIN	ASS'Y	-	1	SA	
5	DB90-04385A	ASS'Y COVER CONTROL IN	SGCC-M, T0.5	1	-	SA	
	DB90-04703A	ASS'Y COVER CONTROL IN	SGCC-M, T0.5	-	1	SA	

■ Parts List

No.	Code No.	Description	Specification	Q'TY		SA/SNA	Remark
				MH020/026 /035FAEA	MH052FAEA		
6	DB94-01922A	ASS'Y TRAY DRAIN	ASS'Y	1	-	SA	
	DB94-01925B	ASS'Y TRAY DRAIN	ASS'Y	-	1	SA	
6-1	DB63-02118A	TRAY DRAIN	ABS	1	-	SNA	
	DB63-01071A	TRAY DRAIN	ABS	-	1	SNA	
6-2	DB61-03672A	BLADE-V	PP	2	-	SA	
	DB61-03660A	BLADE-V	PP	-	2	SA	
6-3	DB61-03649A	BLADE-H	ABS	1	-	SA	
	DB61-03661A	BLADE-H	ABS	-	1	SA	
6-4	DB62-05892A	INSULATION-TRAY FR	EPS(30)	1	-	SA	
	DB62-05903A	SEAL-INSUL TRAY FR	EPS(30)	-	1	SA	
6-5	DB31-00371A	MOTOR STEP	"DC12V,600gf.cm"	1	-	SA	
	DB31-00370A	MOTOR STEP	"DC12V,800gf.cm"	-	1	SA	
6-6	DB69-00839A	CUSHION-TRAY RH	EPS(30)	1	-	SA	
	DB69-01024A	CUSHION	EPS(30)	-	1	SA	
6-7	DB63-02121A	TRAY-STABILIZER	HIPS	1	-	SA	
	DB63-01066A	TRAY-STABILIZER	HIPS	-	1	SA	
6-8	DB94-01975A	ASS'Y DRAIN-HOSE	ASS'Y	1	-	SA	
	DB94-00458D	ASS'Y DRAIN-HOSE	ASS'Y	-	1	SA	
7	DB96-13100A	ASS'Y EVAP TOTAL	ASS'Y	1	-	SA	
	DB96-13136A	ASS'Y EVAP TOTAL	ASS'Y	-	1	SA	
7-1	DB61-03650A	HOLDER-EVAP	HIPS	1	-	SA	
	DB63-01065A	COVER-BEARING	HIPS	-	1	SA	
8	DB94-01874A	ASS'Y-CROSS FAN	ASS'Y(AS+GF20%)	1	-	SA	
	DB94-01556B	ASS'Y-CROSS FAN	ASS'Y(AS+GF20%)	-	1	SA	
9	DB31-00531A	MOTOR FAN	50Hz	1	-	SA	
	DB31-00533A	MOTOR FAN	50Hz	-	1	SA	

MEMO

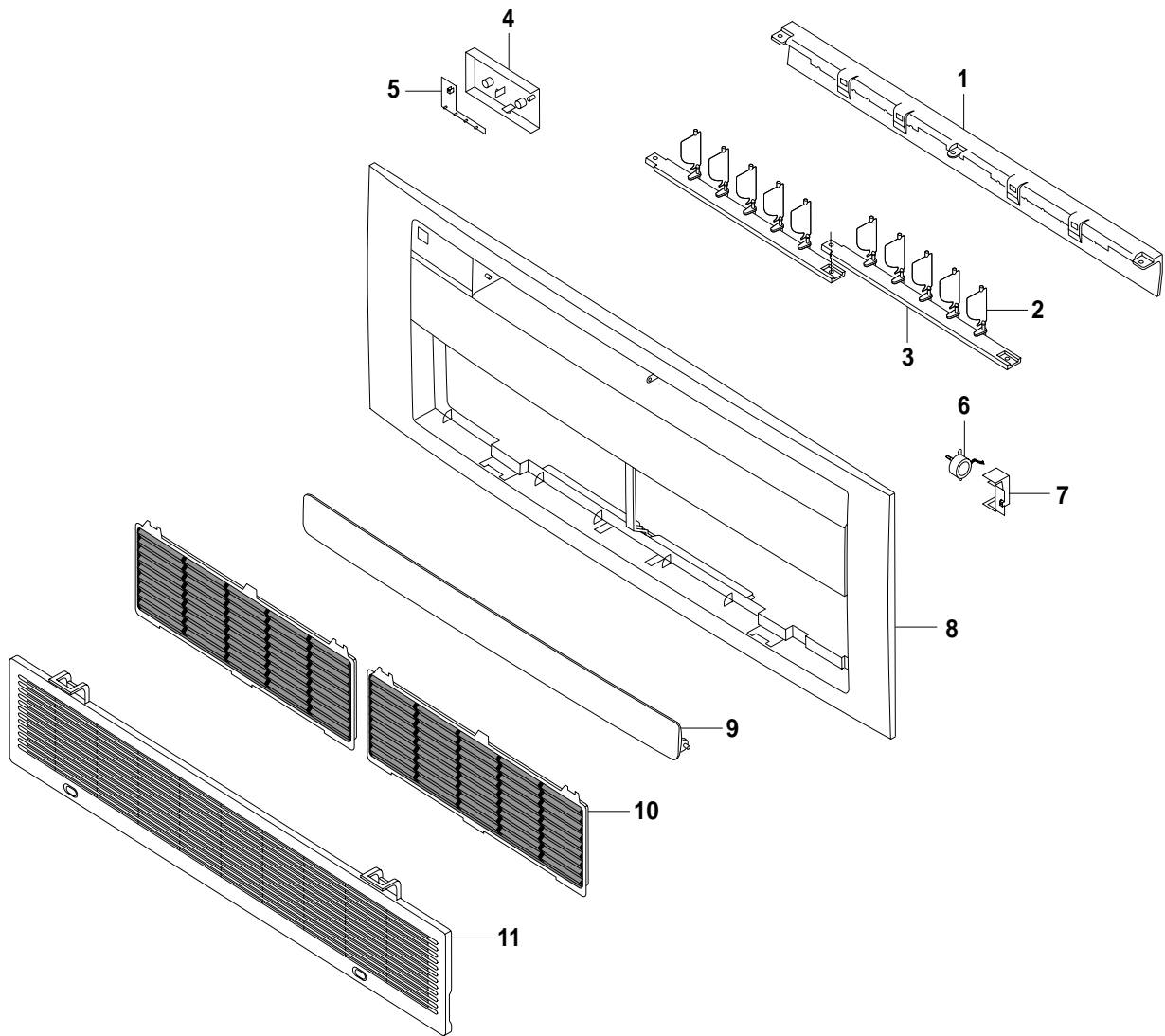
5-1-7 MH026FKEA / MH035FKEA



■ Parts List

No.	Code No.	Description	Specification	Q'TY	SA/SNA
1	DB90-00588E	ASS'Y CABINET IN	ASS'Y	1	SA
2	DB61-00364A	HOLDER DRAIN PUMP	Fire-Resistant P.S(V0)	1	SNA
3	DB31-00303A	DRAIN PUMP	FUJIKOKI	1	SA
3-1	DB31-00303A	DRAIN HOSE-SOCKET	POM	1	SNA
4	DB69-00298A	CUSHION BODY	EPS	1	SNA
5	DB61-00363A	CASE-FAN SIDE	Fire-Resistant P.S(V0)	1	SNA
6	DB94-00066A	ASS'Y BEARING	ASS'Y	1	SNA
7	DB94-00040K	ASS'Y CROSS FAN	ASS'Y	1	SA
8	DB31-10078M	MOTOR FAN	PFS040WTVE	1	SA
9	DB61-00354A	HOUSING MOTOR	Fire-Resistant P.S(V0)	1	SNA
10	DB63-00165A	COVER FAN MOTOR	Fire-Resistant P.S(V0)	1	SA
11	DB61-00362A	CASE CONTROL	Fire-Resistant P.S(V0)	1	SNA
12	DB93-02335G	ASS'Y PCB	ASS'Y	1	SA
13	DB63-00167A	COVER CONTROL	ASS'Y	1	SA
14	DB96-01190H	ASS'Y EVAP-IN	ASS'Y	1	SA
14-1	DB60-00057A	SPACER EVAP	ABS	1	SA
14-2	DB32-00035B	THERMISTOR-ASS'Y	103AT	1	SA
15	DB61-00365A	BRACKET TERMINAL	SGCC-M	1	SNA
16	DB61-00394A	BASE TERMINAL	ABS	1	SNA
17	DB65-00004B	TERMINAL BLOCK	DAF 2P	1	SA
18	DB65-00004C	TERMINAL BLOCK	DAF 4P	1	SA
19	DB63-00168A	COVER TERMINAL	Fire-Resistant P.S(V0)	1	SA
20	DB94-00084A	ASS'Y DRAIN	ASS'Y	1	SA
21	DB94-00290A	ASS'Y DRAIN PAN SUB	ASS'Y	1	SA
22	DB95-00131A	ASS'Y SENSOR FLOAT	ASS'Y	1	SA
23	DB62-02199A	VALVE CHECK	ASS'Y	1	SA
	DB67-00382A	HOSE DRAIN	DURITE-01	1	SA
24	DB90-00589A	ASS'Y CABINET-SIDE LF	ASS'Y	1	SA

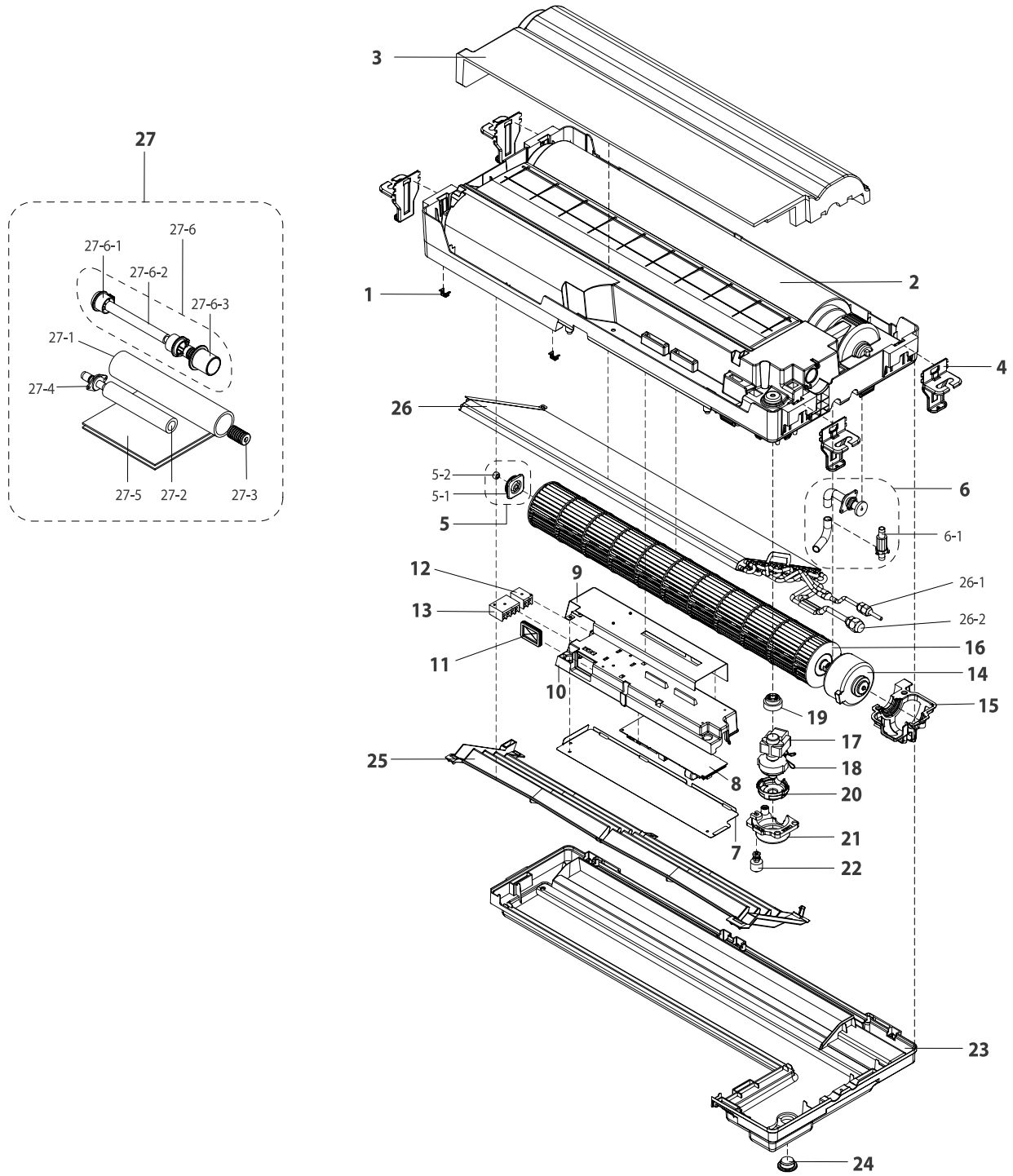
■ P1SMA(1 way Cassette Panel)



■ Parts List

No.	Code No.	Description	Specification	Q'TY	SA/SNA
1	DB63-00164A	COVER BLADE	HIPS (UL94-V0)	1	SA
2	DB66-00160A	BLADE-V	HIPS (UL94-V0)	10	SA
3	DB66-00157A	LINK BLADE-LF	POM	2	SA
4	DB63-00163A	COVER PCB CASE	HIPS (UL94-V0)	1	SA
5	DB93-04488A	ASS'Y PCB DISPLAY	-	1	SA
6	DB31-10153D	MOTOR STEP	MSFCC20A05	1	SA
7	DB61-00535A	HOLDER MOTOR	HIPS (UL94-V0)	1	SNA
8	DB64-00234B	PANEL FRONT	HIPS (UL94-V0)	1	SA
9	DB66-00159C	BLADE-H	HIPS (UL94-V0)	1	SA
10	DB64-00243B	GRILLE FRONT	HIPS (UL94-V0)	1	SA
11	DB64-00244A	GRILLE INLET AIR	PP	1	SA

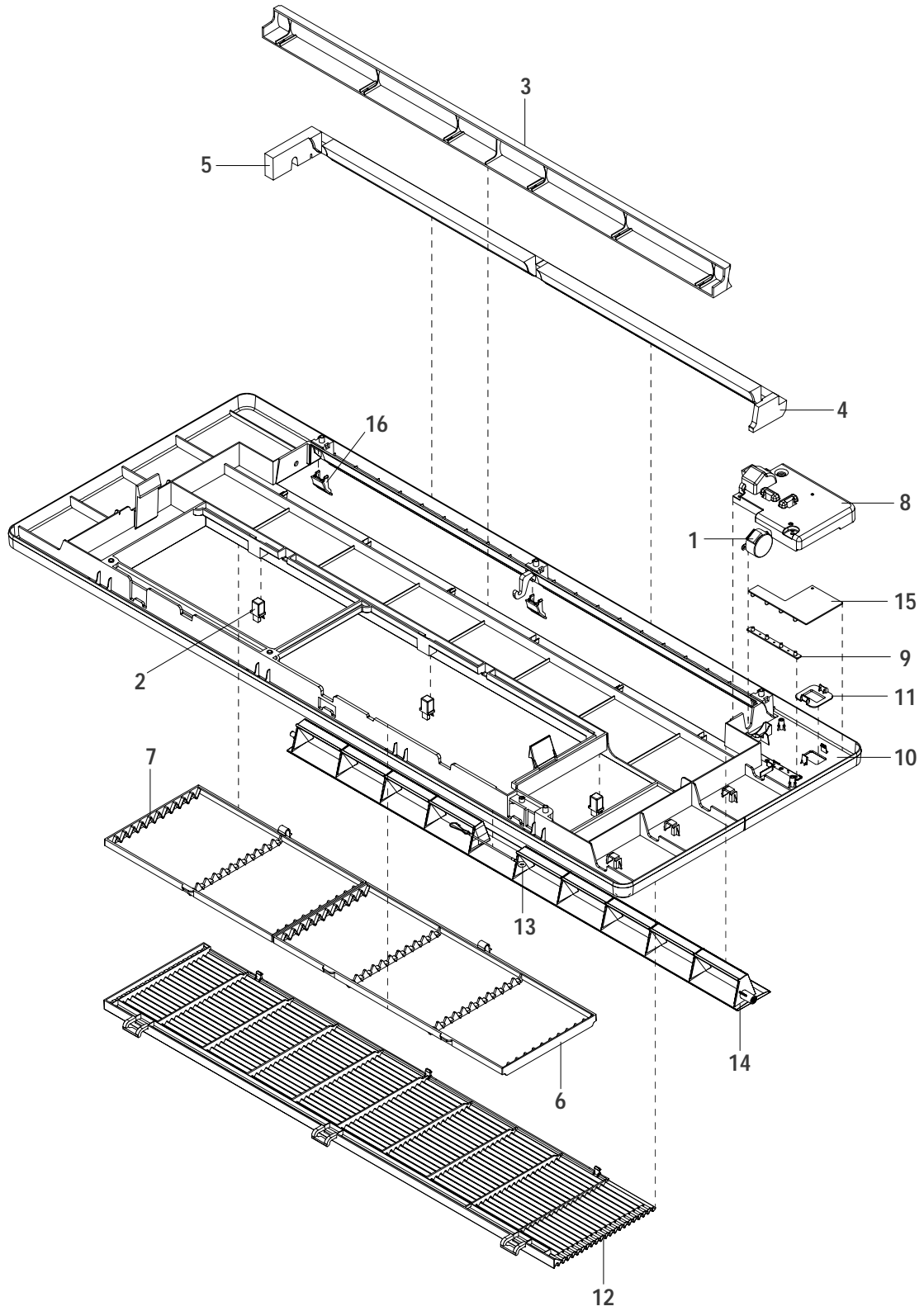
5-1-8 MH026FSEA / MH035FSEA



■ Parts List

No.	Code No.	Description	Specification	Q'TY	SA/SNA
1	DB61-03127A	BRACKET-PAN	SGCC-M,1.0,12,20,	2	SNA
2	DB64-01763A	CABINET-IN	ABS,3,417,1011,-,GRAY	1	SNA
3	DB64-01764A	CABINET-CUSHION	EPS,-,310,835,-,WHT	1	SNA
4	DB70-00753A	PLATE-HANGER	SGCC-M,1.2,73,100	4	SA
5	DB94-00258A	ASS'Y BEARING	G-PJT,CR,BLK	1	SA
5-1	DB73-00128A	RUBBER-BEARING	G-P/J,CR,55,BLK	1	SNA
5-2	DB94-40007A	ASS'Y BEARING	ASS'Y,POLYSLIDER-PG5	1	SA
6	DB94-01546A	ASS'Y-DRAIN SOCKET	ASS'Y	1	SNA
6-1	DB62-04236A	VALVE CHECK	ASS'Y,72.5	1	SA
7	DB70-00754A	PLATE-COVER CONTROL	SGCC-M,0.7,96,428	1	SNA
8	DB93-07192A	ASS'Y PCB MAIN	FR-4,1.6T,230mmx70mm,SMPS	1	SA
9	DB61-03126A	CASE-CONTROL	ABS,2.5,113,430,BLK	1	SNA
10	DB70-00755A	PLATE-CASE CONTROL	SGCC-M,0.7,96,428	1	SNA
11	DB73-00307A	RUBBER-WIRE HOLE	NBR,52.1,BLK	1	SNA
12	DB95-01058D	ASS'Y-TERMINAL BLOCK	2P	1	SNA
13	DB95-01101E	ASS'Y-TERMINAL BLOCK	4P,F1,F2,V1,V2	1	SNA
14	DB31-00436A	MOTOR FAN	SFN-220-20-4B-1,0.3A,40W,220V/230V,1250,50/60Hz, B,E,YH396-05VRT/YT396B-RT,700,ST730679-3,500	1	SA
15	DB63-01698A	COVER MOTOR	ABS,2.5,147,135,GRAY	1	SNA
16	DB94-00040Y	ASS'Y-CROSS FAN	ASS'Y	1	SA
17	DB67-00833A	DRAIN-PUMP	PBT,1.0,WHITE	1	SA
18	DB69-00137A	BAND-RING	STS304,T1.5,PI14	1	SNA
19	DB73-00390B	RUBBER-BASE PUMP	NBR,30,BLK	1	SNA
20	DB73-00391B	RUBBER-CAP PUMP	NBR,30,BLK	1	SNA
21	DB63-01699A	COVER-PUMP	ABS,2.5,78,100,GRAY	1	SNA
22	DB95-01359F	ASS'Y-SENSOR FLOAT SLIM1WAY	SmH250-02L,180mm,RED,BLK	1	SA
23	DB94-01367C	ASS'Y DRAIN PAN	ASS'Y	1	SA
24	DB73-00133B	RUBBER-CAP DRAIN SOCKET	NBR,38.30.27.24/15.12.9.4,45,15,BLK	1	SNA
25	DB94-01492A	ASS'Y DRAIN PAN-SUB	ASS'Y	1	SA
26	DB96-08129C	ASS'Y EVAP TOTAL	ASS'Y	1	SA
26-1	DB60-30010A	NUT-FLARE	HEX,7/16-20UnF	1	SA
26-2	DB60-30010B	NUT-FLARE	HEX,3/4-16UnF	1	SA
27	DB94-01904B	ASS'Y DRAIN-HOSE INSTALL	ASS'Y	1	SA
27-1	DB62-05810A	SEAL-DRAIN ASS'Y	ASS'Y	1	SNA
27-2	DB62-04783A	INSULATION DRAIN-HOSE	FOAM-PE,T12,20,165,GREY,NON FLAMMABILITY	1	SNA
27-3	DB63-00237A	GROMMET-HANGER	NBR	8	SNA
27-4	DB67-00285A	DRAIN HOSE-SOCKET	POM,T3	1	SNA
27-5	DB72-00401C	INSULATION JOINT-OUT	FOAM-PE,T3,W200,L200,GREY	2	SNA
27-6	DB94-01258C	ASS'Y DRAIN-HOSE JOINT	ASS'Y	1	SA
27-6-1	DB67-00335A	DRAIN HOSE-HOUSING	BLUE	2	SNA
27-6-2	DB67-00336E	HOSE DRAIN-PVC	SOFT PVC,14,20,3,GRAY	1	SNA
27-6-3	DB67-00805B	DRAIN HOSE-JOINT B	ABS,T3.0,NORmAL	1	SA

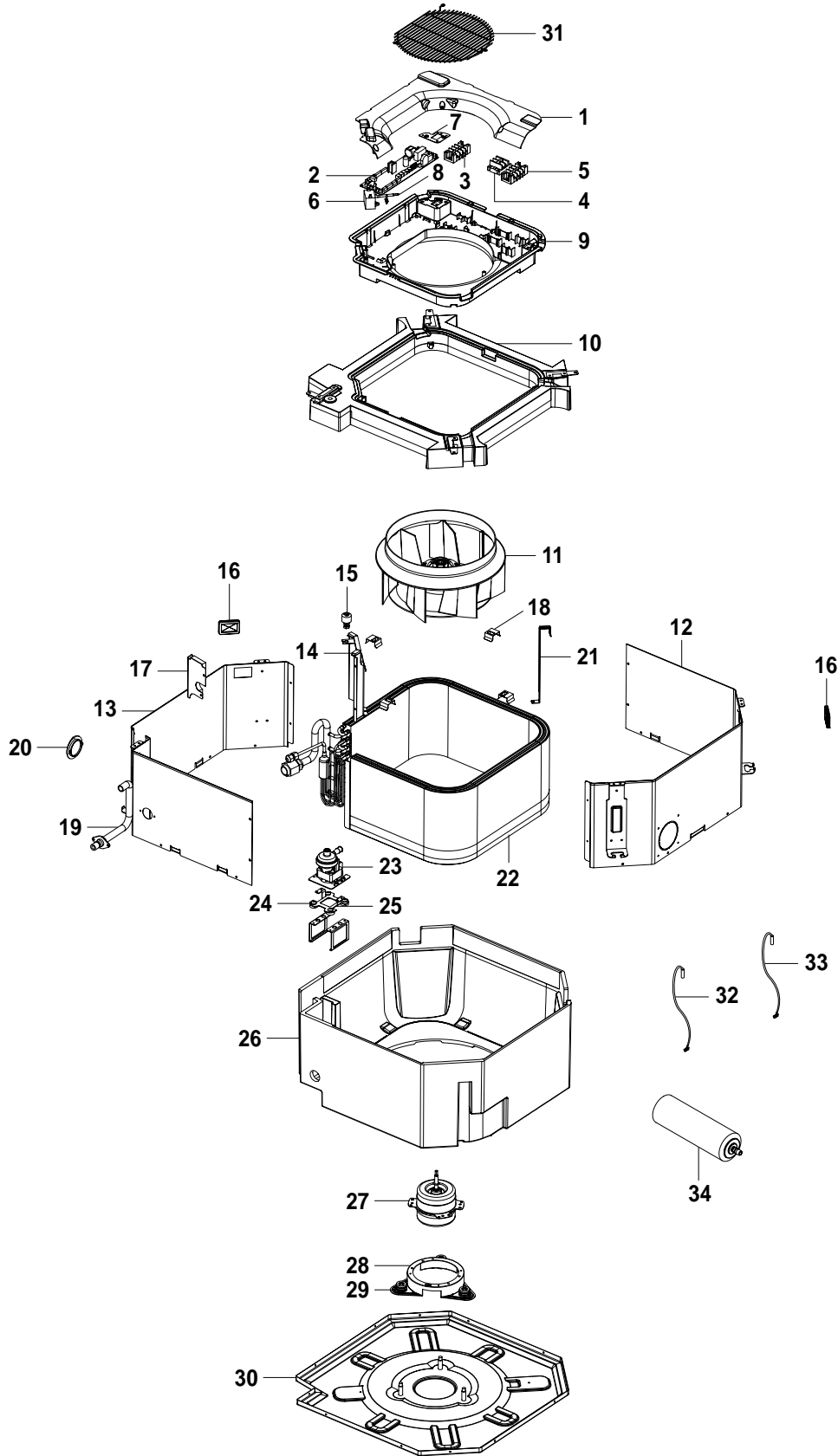
■ PSSMA(Slim 1 way Cassette Panel)



■ Parts List

No.	Code No.	Description	Specification	Q'TY	SA/SNA
1	DB31-00370A	MOTOR STEP	35BYJ46,DC12V/800gf.cm,SmH250-05L(WHT),100mm	1	SA
2	DB61-02894A	HOLDER-PUSH LATCH	POM,PC+PE,11.9,12.9,21,BLACK	3	SA
3	DB61-03123A	GUIDE-AIR OUTLET	HIPS,2.5,70,860,GRAY	1	SNA
4	DB61-03124A	GUIDE-CUSHION AIR OUT LF	EPS,105,426,WHT	1	SNA
5	DB61-03125A	GUIDE-CUSHION AIR OUT RH	EPS,105,463,WHT	1	SNA
6	DB63-01694A	FILTER-AIR INLET	ABS,2,196,437,BLK	1	SA
7	DB63-01695A	FILTER-AIR INLET G	ABS,2,196,320,BLK	1	SA
8	DB63-01697A	COVER-DISPLAY PCB	HIPS,2.5,117,154,BLK	1	SNA
9	DB64-00237A	PANEL-DISPLAY LED	AKM-2800,PC	1	SA
10	DB64-01759A	PANEL FRONT-SLIM 1WAY	ABS,40,465,1180,DA White	1	SNA
11	DB64-01760A	WINDOW-DISPLAY PCB	PC,1.5,40,40,-,MILKY WHT	1	SNA
12	DB64-01762A	GRILLE-AIR INLET	ABS,2.0,213,859,WHT	1	SA
13	DB65-00023A	CLIP-WIRE-ASS'Y	NYLON,AG-240E	1	SNA
14	DB66-01187A	BLADE-G	ABS,5,11.6,WHT	1	SNA
15	DB93-05321A	ASS'Y PCB SUB	FR-1,LEAD FREE	1	SNA
16	DB63-01696A	COVER-SCREW	ABS,2.5,19,34,WHT	1	SNA

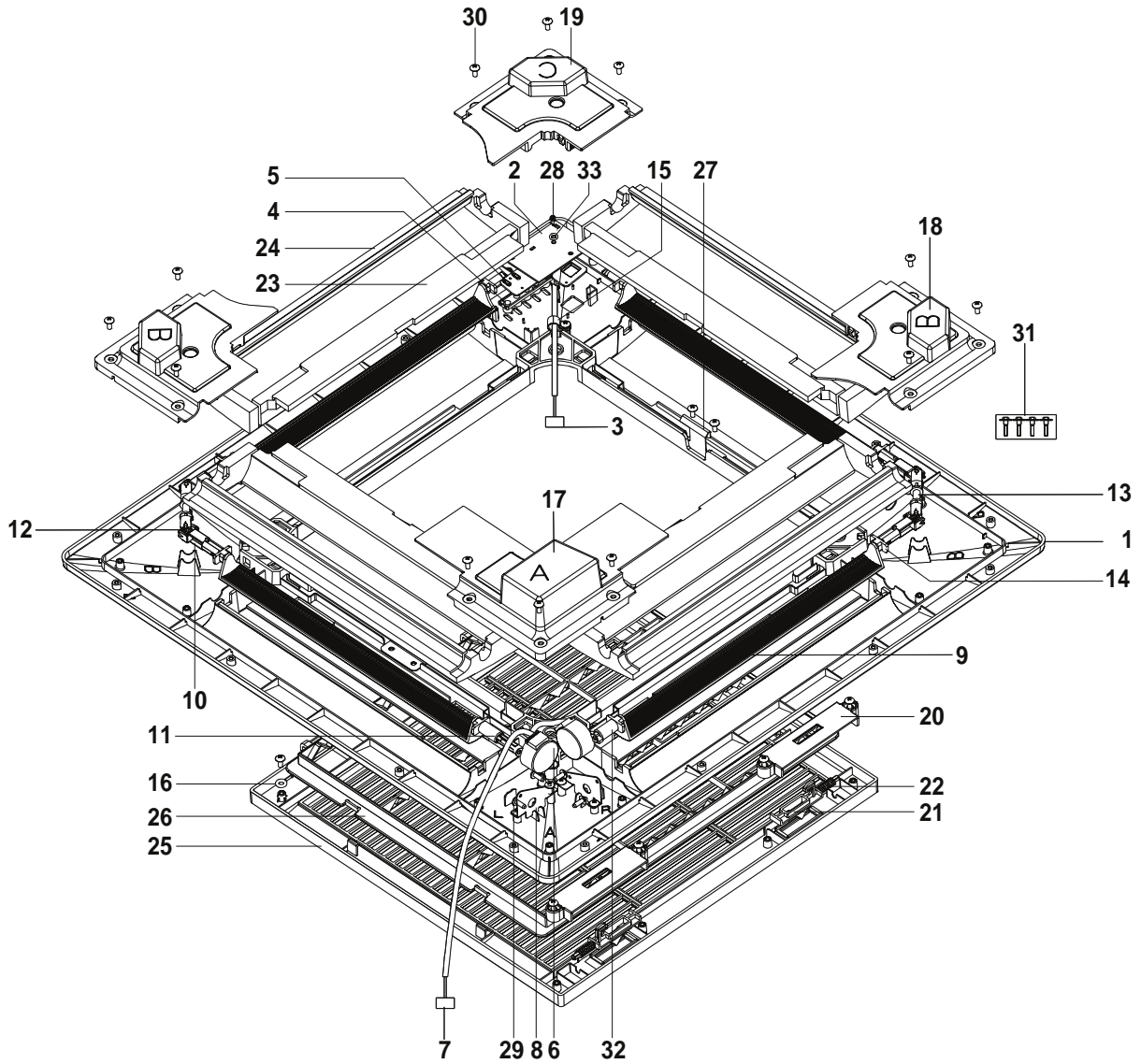
5-1-9 MH030FMEA/MH035FMEA/MH052FMEA



■ Parts List

No.	Code No.	Description	Specification	Q'TY		SA/SNA
				MH030FMEA MH035FMEA	MH052FMEA	
1	DB63-01367A	COVER CONTROL	ABS(V0),T2.0	1	1	SNA
2	DB93-04102A	ASS'Y PCB MAIN	MINI 4WAY CASSETTE	1	1	SNA
3	DB65-00029M	TERMINAL BLOCK 4P	1(L),2(N),Vc,Vc	1	1	SA
4	DB65-00182A	TERMINAL BLOCK 2P	F1,F2	1	1	SA
5	DB65-00029Z	TERMINAL BLOCK 4P	V1,V2,F3,F4	1	1	SA
6	2301-001378	C-FILM,LEAD-OTHER	450VAC,3.5uF	1	1	SA
7	DB61-02499A	BRACKET EARTH WIRE	SGCC-M,T1.0	1	1	SA
8	DB32-00067D	THERMISTOR WIRE IN PCB	103AT,-20~100°C	1	1	SA
9	DB61-02486A	BASE CONTROL	ABS(V0),T2.0	1	1	SNA
10	DB94-00826A	ASS'Y DRAIN PAN	MINI 4WAY CASSETTE	1	1	SA
11	DB94-00812A	ASS'Y FAN TURBO	SAN+GF20%	1	1	SA
12	DB90-02221A	ASS'Y CABI SIDE A	MINI 4WAY CASSETTE	1	1	SA
13	DB90-02220A	ASS'Y CABI SIDE B	MINI 4WAY CASSETTE	1	1	SA
14	DB94-00847B	ASS'Y PARTITION	MINI 4WAY CASSETTE	1	1	SA
15	DB95-00131K	ASS'Y SENSOR FLOAT	250mm,MINI 4WAY CASSETTE	1	1	SA
16	DB73-00307A	RUBBER WIRE HOLE	NBR 45°C	2	2	SNA
17	DB90-02225A	ASS'Y COVER PIPE	MINI 4WAY CASSETTE	1	1	SA
18	DB61-02527A	HOLDER EVAP	STS304,T0.7	4	4	SA
19	DB94-00846A	ASS'Y DRAIN HOSE	MINI 4WAY CASSETTE	1	1	SA
20	DB90-01010A	ASS'Y COVER DRAIN	CH040EZM,NEW 4WAY CASSETTE	1	1	SNA
21	DB61-02490A	GUIDE EVAP	STS304,T0.7	1	1	SA
22	DB96-05977B	ASS'Y EVAP UNIT	MINI 4WAY CASSETTE	1	-	SNA
	DB96-05354C	ASS'Y EVAP UNIT	MINI 4WAY CASSETTE	-	1	SNA
23	DB31-00303A	PUMP DRAIN	FUJIKOKI,220V 50Hz,60Hz	1	1	SA
24	DB73-00022C	RUBBER PUMP	EPDM+BUTYL,40~45°	4	4	SNA
25	DB61-02492A	BRACKET PUMP	SGCC-M,T1.5	1	1	SA
26	DB90-02223A	ASS'Y BASE CUSHION	MINI 4WAY CASSETTE	1	1	SA
27	DB31-00305A	MOTOR FAN	ASS035WTV,4WAYMINI- PJT,50Hz	1	1	SA
28	DB61-02495A	BRACKET MOTOR IN	SGCC-M,T1.2	1	1	SA
29	DB63-01407A	GROMMET MOTOR	NR,35°	3	3	SA
30	DB90-02222A	ASS'Y CABI BASE	MINI 4WAY CASSETTE	1	1	SA
31	DB63-01372A	GUARD SAFTY	HSWR,T2.5	1	1	SA
32	DB32-00066E	THERMISTOR EVAP IN	300mm,MINI 4WAY CASSETTE	1	1	SA
33	DB32-00029K	THERMISTOR EVAP OUT	280mm,MINI 4WAY CASSETTE	1	1	SA
34	DB94-01287B	ASS'Y DRAIN HOSE INSTALL	MINI 4WAY CASSETTE	1	-	SNA
	DB94-01287A	ASS'Y DRAIN HOSE INSTALL	MINI 4WAY CASSETTE	-	1	SNA

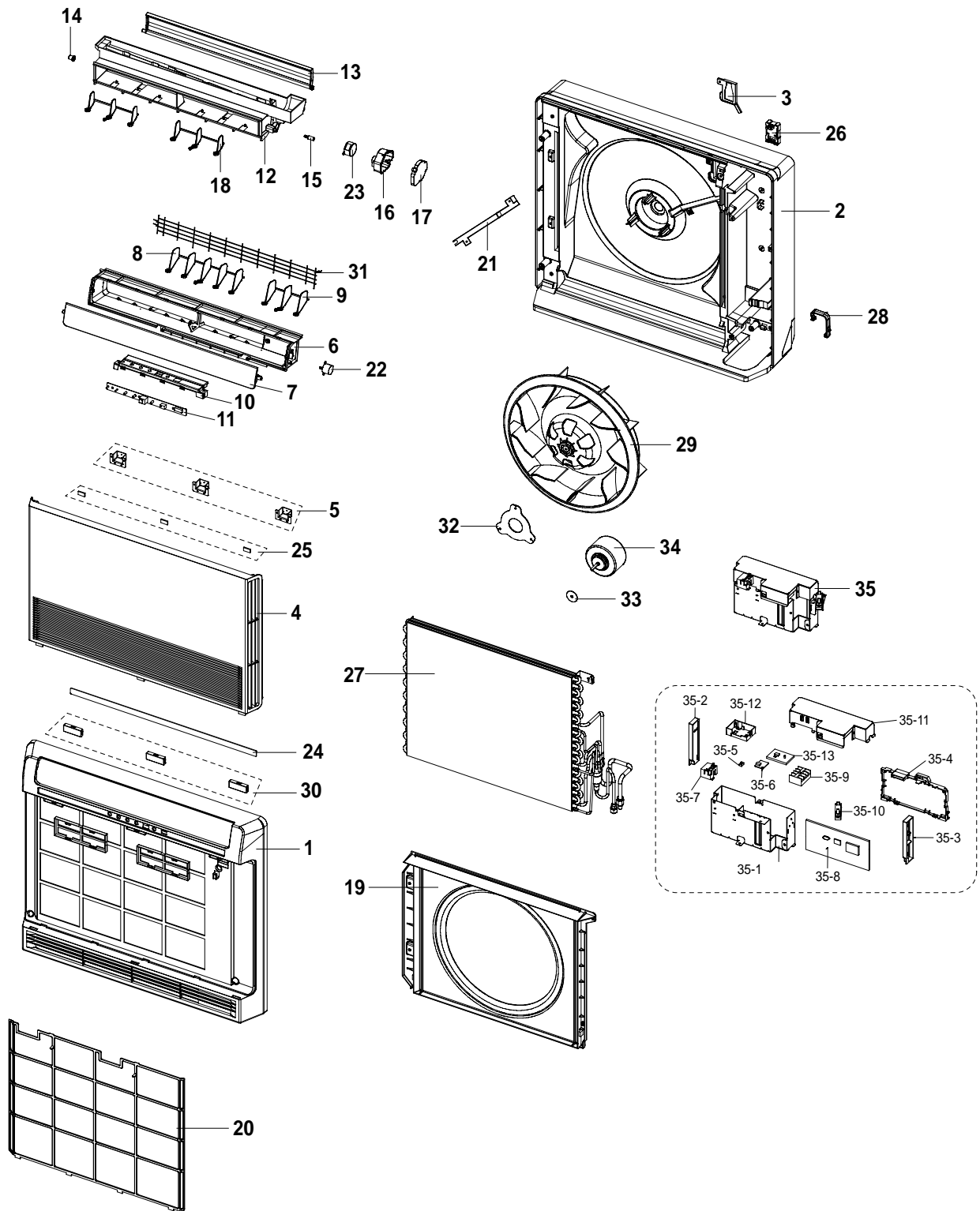
■ PMSMA(Mini 4 way Cassette Panel)



■ Parts List

No.	Code No.	Description	Specification	Q'TY	SA/SNA
1	DB64-01421A	PANEL-FRONT	ABS,T3.0,WHT	1	SA
2	DB93-02803A	ASS'Y PCB MAIN	ASS'Y	1	SA
3	DB39-00082E	CONNECT WIRE-DISPLAY PCB	L990mm	1	SA
4	DB64-01422A	BUTTON-PCB	ABS,BLK	1	SA
5	DB64-01424A	INLAY-PCB	PC,WHT	1	SA
6	DB31-00285A	MOTOR STEPPING	35BYJ46-276,800G.CM,12V	2	SA
7	DB39-00542E	CONNECT WIRE-STEP MOTOR	L320mm	1	SA
8	DB61-02485B	BRACKET MOTOR-PANEL	SGCC-M,T0.8	2	SA
9	DB66-01008A	BLADE-H	PBT/ABS,T3.5	4	SA
10	DB61-01871A	CONNECTOR-BLADE	POM,NTR	4	SA
11	DB61-02480A	CONNECTOR-MOTOR A	POM,NTR	1	SA
12	DB66-00756A	JOINT UNIVERSAL	POM,NTR	4	SA
13	DB66-01009A	LINK-BLADE	POM,NTR	2	SA
14	DB61-02488A	BUSH-MINI	POM,NTR	8	SA
15	DB65-10074D	CLAMP-CABLE	DA-4N	2	SA
16	DB65-00023A	CLIP-WIRE-ASS'Y	L130mm	1	SA
17	DB63-01364A	COVER-A	ABS(V0),BLK	1	SA
18	DB63-01366A	COVER-B	ABS(V1),BLK	2	SA
19	DB63-01377A	COVER-C	ABS(V2),BLK	1	SA
20	DB63-01036A	COVER-KNOB	HIPS,UL94-HB,WHT	2	SA
21	DB64-01145A	KNOB-SLIDE	HIPS,94HB,HG-0760,WHT	2	SA
22	DB67-00030A	SPRING-KNOB	STS304,T0.5	2	SA
23	DB69-01269A	CUSHION-IN	EPS,30	4	SA
24	DB69-01270A	CUSHION-OUT	EPS,30	4	SA
25	DB64-01420A	GRILLE-AIR INLET	ABS,WHT	1	SA
26	DB63-01423A	FILTER-PRE MINI	PP,BLK,ANTI BACTERIAL FILTER	1	SA
27	DB70-00302A	PLATE-HANGER	STS304,T0.5	2	SA
28	6002-000534	SCREW-TAPPING	PH,2S,M3,L8,ZPC(BLK),SWRCH18A	1	SNA
29	6002-000536	SCREW-TAPPING	PH,2S,M4,ZPC(YEL)	4	SNA
30	6002-001079	SCREW-TAPPING	TH,2S,M4,L10	27	SNA
31	6011-001493	BOLT-HEX	M6,L10,ZPC(YEL),SWRM18A	4	SA
32	DB61-02480B	CONNECTOR-MOTOR B	POM,NATURAL	1	SA
33	-	WASHER	-	1	SNA

5-1-10 MH026FJEA/MH035FJEA/MH052FJEA



■ Parts List

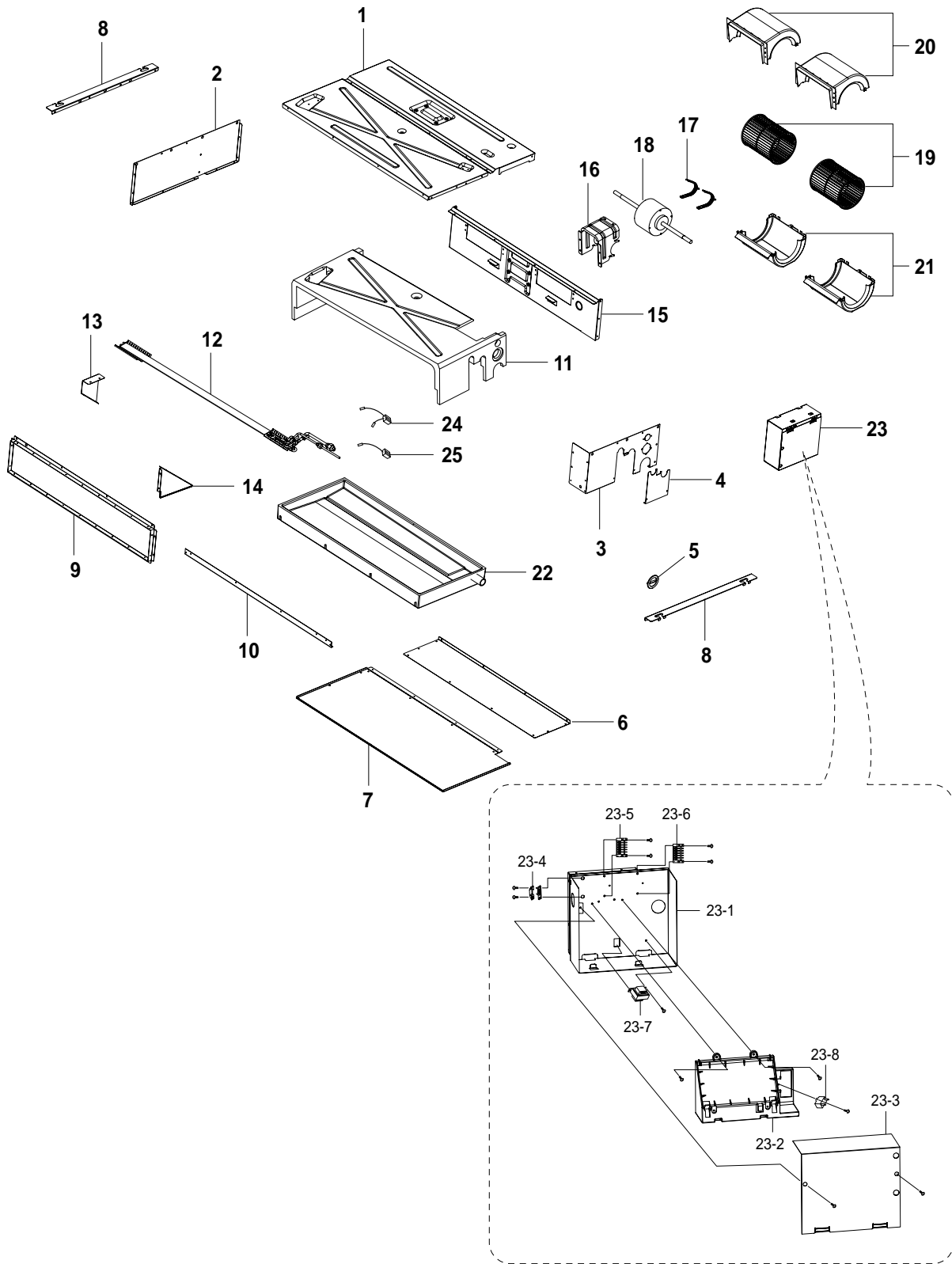
No.	Code No.	Description	Specification	Q'TY		SA/SNA
				MH026FJEA MH035FJEA	MH052FJEA	
1	DB61-03545A	BODY FRONT	HIPS,T2.5	1	1	SA
2	DB61-03547A	BODY BACK	HIPS,T2.5	1	1	SA
3	DB67-00899A	CAP MPI	HIPS,T1.8	1	1	SA
4	DB64-02060A	PANEL FRONT	HIPS,T2.5	1	-	SA
	DB64-02181A	PANEL FRONT	HIPS,T2.5	-	1	SA
5	DB67-00898A	CAP MAGNET	PC,T1.0	3	3	SA
6	DB61-03544A	BODY TOP DISCHARGE	HIPS,T2.5	1	1	SA
7	DB66-01282A	BLADE TOP H	HIPS,T2.5	1	1	SA
8	DB66-01281A	BLADE TOP V LF	PP,T2.7	1	1	SA
9	DB66-01280A	BLADE TOP V RH	PP,T2.7	1	1	SA
10	DB61-03543A	CASE DISPLAY PCB	PP,T1.0	1	1	SA
11	DB90-03848A	ASS'Y CASE DISPLAY PCB	ASS'Y	1	-	SA
	DB90-03848B	ASS'Y CASE DISPLAY PCB	ASS'Y	-	1	SA
12	DB61-03546A	BODY BOTTOM DISCHARGE	HIPS,T2.5	1	1	SA
13	DB66-01284A	BLADE BOTTOM H	HIPS,T2.5	1	1	SA
14	DB66-01286A	LINK BOTTOM BLADE LF	POM	1	1	SA
15	DB66-01285A	LINK BOTTOM BLADE RH	POM	1	1	SA
16	DB61-03553A	CASE MOTOR STEP	ABS V0,T2.5	1	1	SA
17	DB67-00897A	CAP MOTOR STEP	ABS V0,T2.5	1	1	SA
18	DB66-01283A	BLADE BOTTOM V	PP,T2.7	2	2	SA
19	DB61-03559A	BODY BELL MOUTH	HIPS,T2.5	1	1	SA
20	DB63-01998A	FILTER AIR	PP,T2.5	1	1	SA
21	DB61-03551A	BRACKET WIRE MOLD	HIPS,T1.8	1	1	SA
22	DB31-00371A	MOTOR STEP	ABS V0,T2.5	1	1	SA
23	DB31-00370A	MOTOR STEP	ABS V0,T2.5	1	1	SA
24	DB90-03823A	ASS'Y HALF MIRROR DISPLAY	PMMA,T2.0,594x17	1	1	SA
25	DB61-01477A	MAGNET	20x10x3,GAUSS 2,400~2,600	1	1	SA
26	DB93-04230C	COMPACT MPI	-	1	1	SA
27	DB96-09853A	ASS'Y EVAP	ASS'Y	1	-	SA
	DB96-11811A	ASS'Y EVAP	ASS'Y	-	1	SA
28	DB61-03542A	BRACKET PIPE	PP,T2.5	1	1	SA
29	DB31-00507A	FAN TURBO	SAN GF20%,Ø410,H76	1	1	SA
30	DB70-00923A	PLATE STEEL	SGCC-M,T0.8	1	1	SA
31	DB63-01999A	GUARD TOP OUTLET	HSWR,Ø1.5	1	1	SA
32	DB61-03554A	BRACKET MOTOR	SGCC-M,T2.0	1	1	SA
33	DB70-00921A	PLATE MOTOR	SGCC-M,T1.0	1	1	SA
34	DB31-00517A	MOTOR FAN	SIC-55CV-F137-1,SIBAURA	1	1	SA
35	DB93-06165B	ASS'Y CONTROL IN	ASS'Y	1	-	SNA
	DB93-06165F	ASS'Y CONTROL IN	ASS'Y	-	1	SNA
35-1	DB90-03842A	ASS'Y CASE CONTROL PD	ASS'Y	1	1	SA

■ Parts List(cont.)

No.	Code No.	Description	Specification	Q'TY		SA/SNA
				MH026FJEA MH035FJEA	MH052FJEA	
35-2	DB61-03540A	SLIDER CASE PCB A	ABS V0,T2.5	1	1	SA
35-3	DB61-03541A	SLIDER CASE PCB B	ABS V0,T2.5	1	1	SA
35-4	DB61-03537A	CASE PCB MAIN	ABS V0,T2.5	1	1	SA
35-5	DB67-00896A	CAP SWITCH	ABS V0,T2.0	1	1	SA
35-6	DB93-06169A	ASS'Y PCB SUB SWITCH	PBA	1	1	SA
35-7	DB61-03549A	CASE PCB SWITCH	ABS V0,T2.5	1	1	SA
35-8	DB93-07023B	ASS'Y PCB MAIN IN	PBA	1	-	SA
	DB93-07023E	ASS'Y PCB MAIN IN	PBA	-	1	SA
35-9	DB65-00004U	TERMINAL BLOCK	4P	1	1	SNA
35-10	DB61-40291C	HOLDER WIRE	-	1	1	SA
35-11	DB63-02001A	COVER CONTROL	SGCC-M,T0.5	1	1	SA
35-12	DB61-03550A	CASE PCB ADDRESS	ABS V0,T2.5	1	1	SA
35-13	DB93-04640C	ASS'Y PCB SUB	PBA	1	1	SA

MEMO

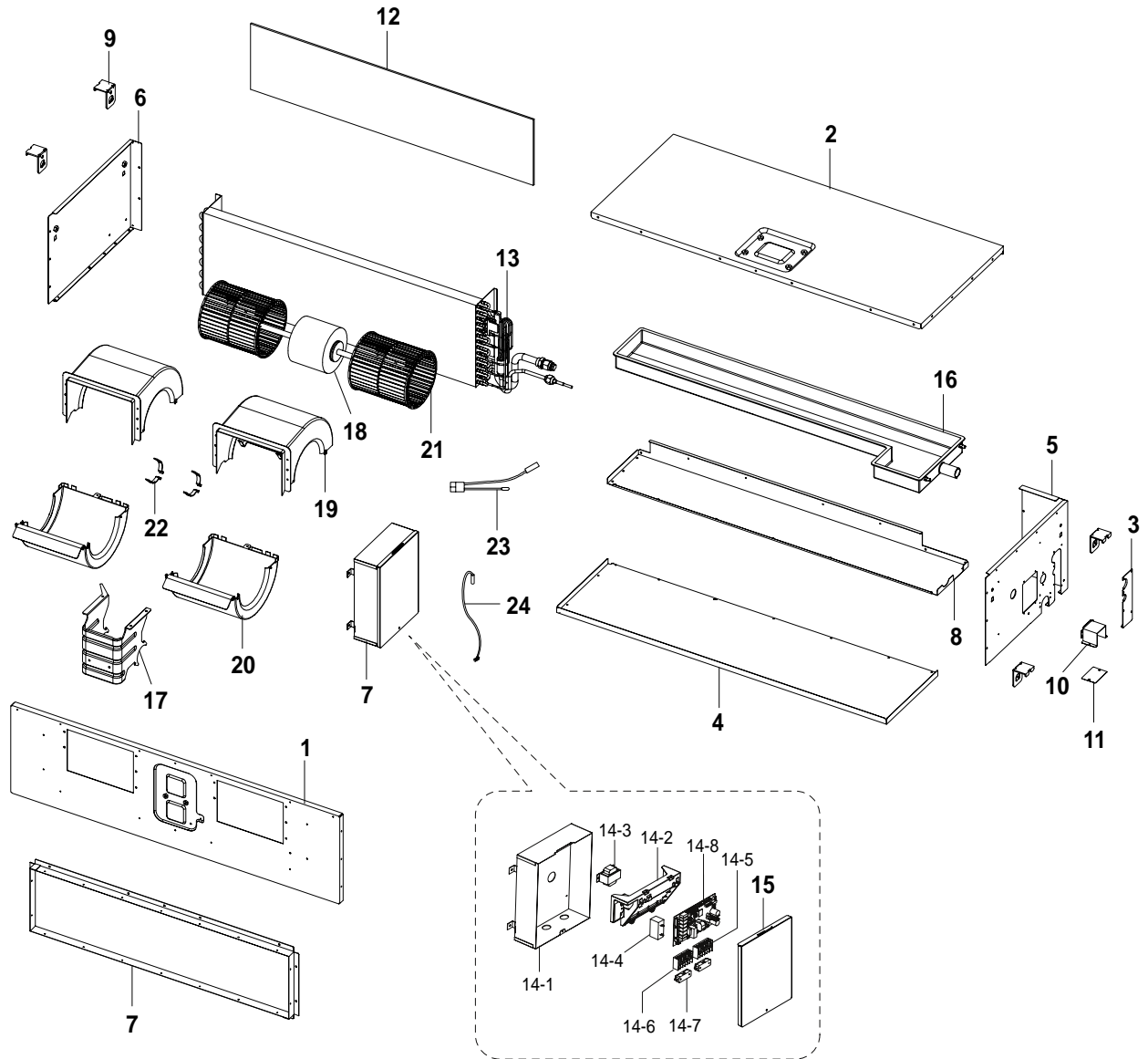
5-1-11 MH023FEEA/MH026FEEA/MH035FEEA



■ Parts List

No.	Code No.	Description	Specification	Q'TY	SA/SNA
1	DB90-02014A	ASS'Y CABINET BASE	ASS'Y	1	SA
2	DB64-01324A	ASS'Y CABINET SIDE LF	ASS'Y	1	SA
3	DB90-01951A	ASS'Y CABINET SIDE RH	ASS'Y	1	SA
4	DB90-01938A	ASS'Y COVER PIPE	ASS'Y	1	SA
5	DB90-01950A	ASS'Y COVER DRAIN PUMP	ABS T2.0	1	SA
6	DB64-01326A	CABINET TOP MOTOR	SGCC-M, T0.8	1	SA
7	DB90-02069A	ASS'Y CABINET TOP EVAP	ASS'Y	1	SA
8	DB61-02274A	PLATE HANGER	SGCC-M T2.0	2	SA
9	DB94-00712A	ASS'Y BRACKET OUTLET	ASS'Y	1	SA
10	DB61-02277A	BRACKET OUTLET SUB	SGCC-M, T0.8	1	SA
11	DB90-03397A	ASS'Y CUSHION BASE	ASS'Y	1	SA
12	DB96-05289A	ASS'Y EVAP UNIT	ASS'Y	1	SA
13	DB90-01978A	ASS'Y SUPPORT EVAP LF	ASS'Y	1	SA
14	DB90-01946A	ASS'Y SUPPORT EVAP RH	ASS'Y	1	SA
15	DB94-00768A	ASS'Y PARTITION	ASS'Y	1	SA
16	DB61-02282A	BRACKET MOTOR	SGCC-M T2.0	1	SA
17	DB99-00669A	ASS'Y BAND MOTOR	SINYA	1	SNA
18	DB31-00312A	MOTOR FAN	SINYA, SSR, PID	1	SA
19	DB67-00565A	BLOWER	ASS'Y, ABS, TORSIONAL BUSH	2	SA
20	DB90-01947A	ASS'Y CASE BLOWER UPPER	ASS'Y	2	SA
21	DB90-01948A	ASS'Y CASE BLOWER BOTTOM	ASS'Y	2	SA
22	DB94-01007B	ASS'Y DRAIN PAN	ASS'Y	1	SNA
23	DB93-03321K	ASS'Y CONTROL IN	ASS'Y	1	SA
23-1	DB90-01941B	ASS'Y CASE CONTROL	ASS'Y	1	SA
23-2	DB61-02287A	CASE PCB	ABS T2.5	1	SA
23-3	DB63-01237A	COVER CONTROL	SGCC-M T0.5	1	SA
23-4	DB61-40291A	HOLDER WIRE	PP BLACK	1	SNA
23-5	DB65-00105L	TERMINAL BLOCK 6P	6P, POWER	1	SNA
23-6	DB65-00105M	TERMINAL BLOCK 6P	6P, COMMUNICATION	1	SNA
23-7	DB26-00080A	TRANS POWER	230V, 50HZ	1	SNA
23-8	2301-001370	CAPACITOR	450V 1.5μF	1	SA
24	DB32-00142A	ASS'Y THERMISTOR	ASS'Y	1	SA
25	DB32-00141A	THERMISTOR EVAP	ASS'Y	1	SNA

5-1-12 MH052FUEA

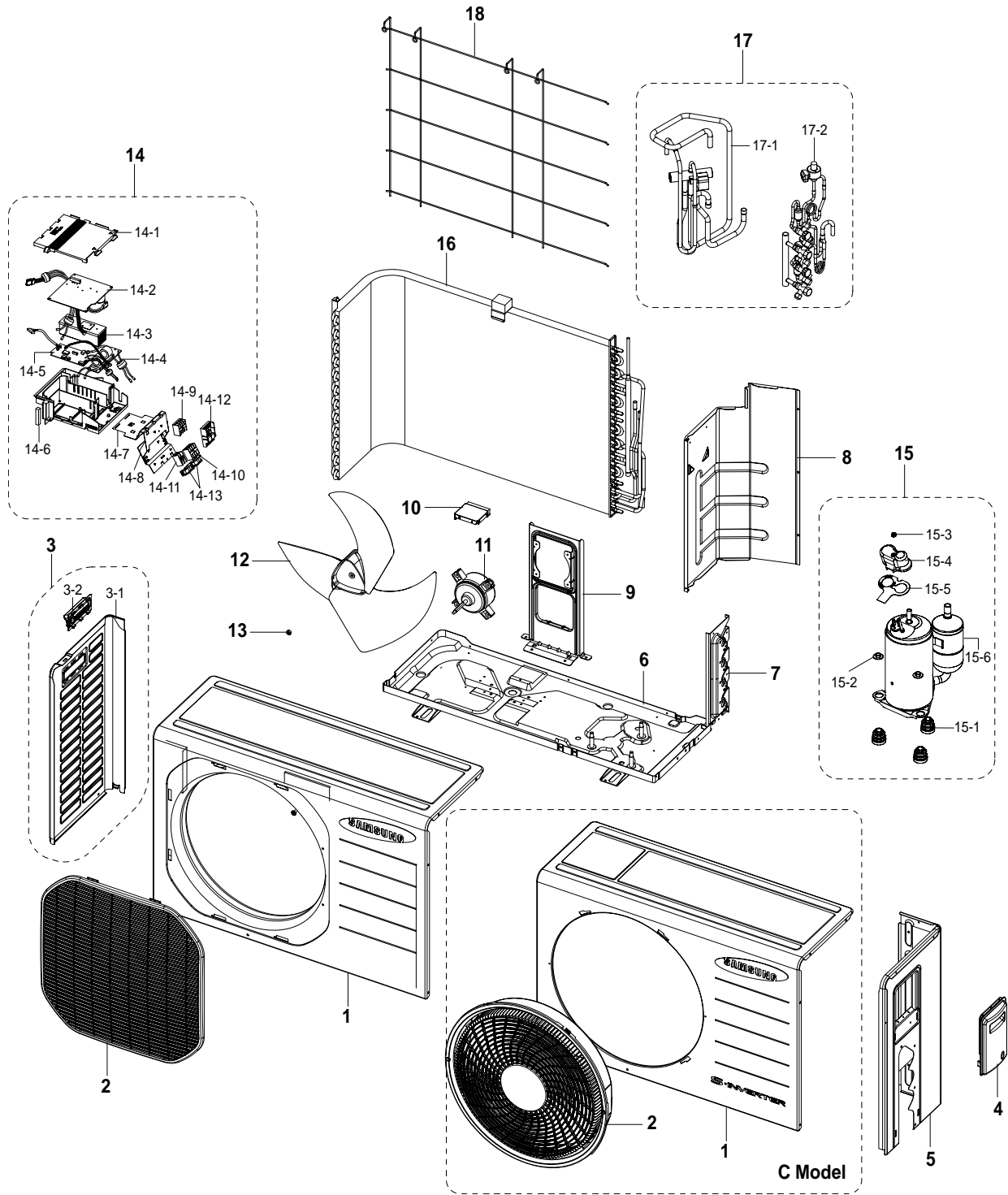


■ Parts List

No.	Code No.	Description	Specification	Q'TY	SA/SNA
1	DB90-03809A	ASS'Y CABINET FRONT	ASS'Y	1	SA
2	DB90-03805A	ASS'Y CABINET-TOP	ASS'Y	1	SA
3	DB90-02928A	ASS'Y COVER-PIPE	ASS'Y	1	SA
4	DB90-03807A	ASS'Y CABINET-BOTTOM BLOWER	ASS'Y	1	SA
5	DB90-03810A	ASS'Y CABINET-SIDE RH	ASS'Y	1	SA
6	DB90-02930A	ASS'Y CABINET-SIDE LF	ASS'Y	1	SA
7	DB90-03813A	ASS'Y-BRACKET OUTLET PART	ASS'Y	1	SNA
8	DB90-03808A	ASS'Y CABINET-BOTTOM DRAIN	ASS'Y	1	SA
9	DB61-01282A	HOLDER-SIDE CABI	SGCC-M,T3.0,45.2,65	4	SNA
10	DB61-02378A	HOLDER-PIPE	SGCC-M,T1.0	1	SNA
11	DB63-01297A	COVER-HOLDER	SGCC-M,T0.8	1	SNA
12	DB63-01299G	FILTER-PRE	ASS'Y	1	SA
13	DB96-09854A	ASS'Y EVAP-UNIT	ASS'Y	1	SNA
14	DB93-06161A	ASS'Y CONTROL IN	ASS'Y	1	SNA
14-1	DB90-02981B	ASS'Y CASE-CONTROL	ASS'Y	1	SA
14-2	DB61-02287A	CASE PCB	ABS V0,T2.5	1	SA
14-3	DB26-00080A	TRANS POWER	AC 230V,50HZ,DC 17V,DC 0.6A,VDE,ICE	1	SNA
14-4	2301-001381	C-FILM,LEAD-OTHER	8000nF,+10-5%,450V,BK,58x30x44mm	1	SA
14-5	DB65-00105L	TERMINAL BLOCK	DAF-S6P	1	SA
14-6	DB65-00105M	TERMINAL BLOCK	DAF-S6P	1	SA
14-7	DB61-00250A	HOLDER-WIRE CLAMP	ABS,BLK,ISI,SAMLINE	2	SNA
14-8	DB93-03213N	ASS'Y PCB MAIN-IN	ASS'Y	1	SNA
15	DB63-01657A	COVER-CONTROL	SGCC-M,T0.8	1	SA
16	DB94-01697A	ASS'Y DRAIN PAN	ASS'Y	1	SA
17	DB61-03058A	BRACKET MOTOR	SGCC-M,T2.0	1	SA
18	DB31-00514A	MOTOR FAN	YSK-140-200-4E1,0.7A,50HZ	1	SNA
19	DB90-04047A	ASS'Y CASE BLOWER UPPER	ABS,T2.0	2	SA
20	DB61-03060A	CASE BLOWER-BOTTOM	ABS,T2.0	2	SA
21	DB67-00583A	BLOWER-C	ABS	2	SA
22	DB97-03751A	ASS'Y-BAND MOTOR	ASS'Y	1	SNA
23	DB32-00142B	THERMISTOR-IN	10Kohm,103AT,-20~+100	1	SA
24	DB32-00141D	THERMISTOR EVAP	10Kohm,103AT,-20~+100	1	SA

5-2 Outdoor Unit

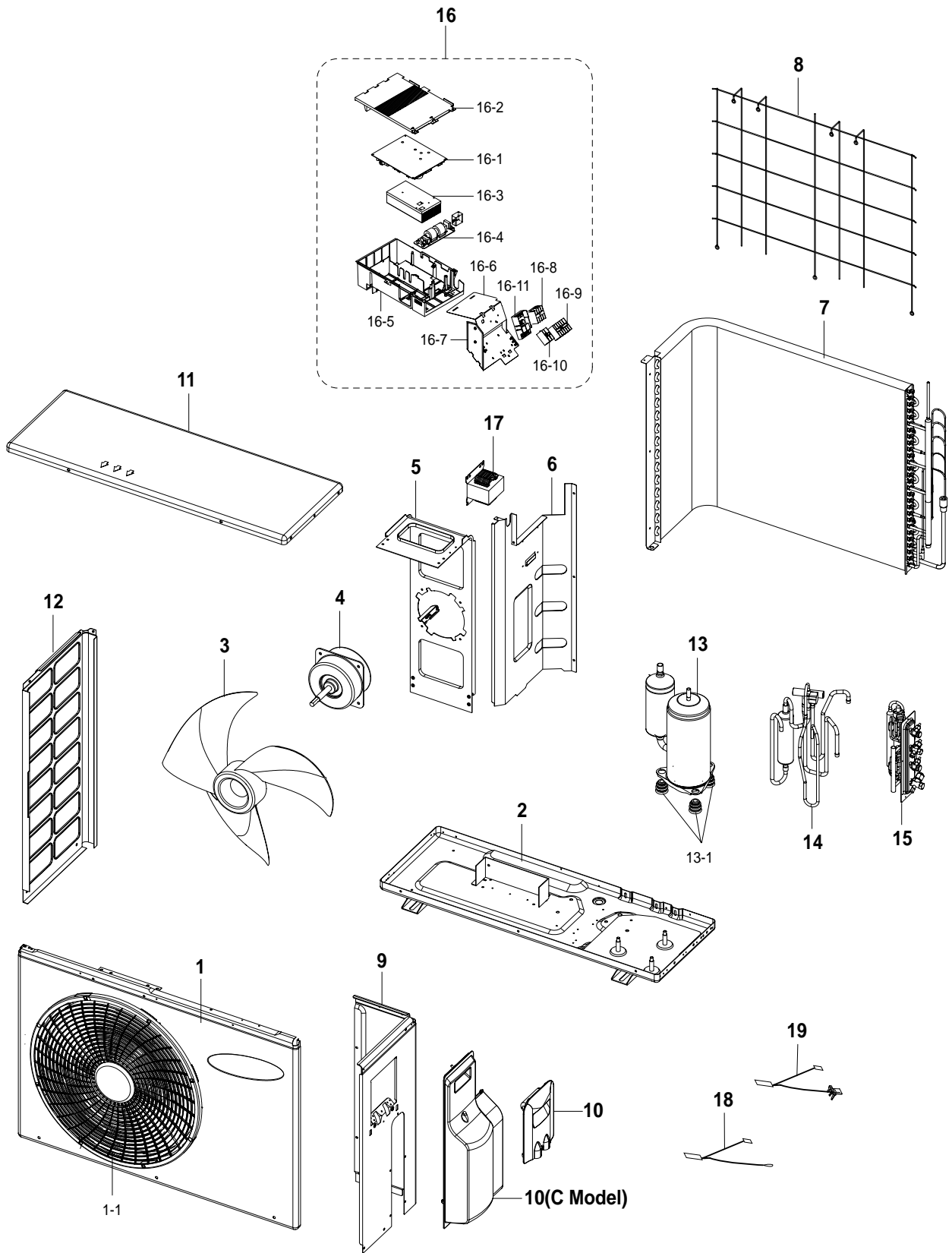
5-2-1 MH040FXEA2B/MH040FXEA2C/MH18VF1X/MH19VF1X



■ Parts List

No.	Code No.	Description	Specification	Q'TY		SA/SNA
				MH040FXEA2B	MH040FXEA2C	
1	DB90-01711J	ASS'Y CABINET-FRONT	ASS'Y	1	-	SNA
	DB90-04398H	ASS'Y CABINET-FRONT	ASS'Y	-	1	SNA
2	DB63-00847A	GUARD FAN	SC-90073T	1	-	SA
	DB63-02004A	GUARD FAN	SC-90073T	-	1	SA
3	DB90-01713A	ASS'Y-CABI SIDE LF	ASS'Y	1	1	SA
3-1	DB64-00982A	CABINET-SIDE LF	SECC-P	1	1	SA
3-2	DB64-00992A	HANDLE-LF	PP	1	1	SA
4	DB90-03653A	ASS'Y COVER CONTROL	ASS'Y	1	-	SA
	DB63-02482A	COVER VALVE	PP	-	1	SA
5	DB90-03097A	ASS'Y CABINET-SIDE	ASS'Y	1	1	SNA
6	DB90-01681A	ASS'Y BASE OUT	ASS'Y	1	1	SNA
7	DB61-03162A	BRACKET-VALVE PAINT	SECC-P	1	1	SNA
8	DB94-01327A	ASS'Y PARTITION	ASS'Y	1	1	SNA
9	DB61-01644A	BRACKET MOTOR	SECC-P	1	1	SA
10	DB61-02238A	BRACKET- SUPPORT BASE	SECC-P	3	3	SA
11	DB31-00431A	MOTOR FAN-BLDC	SIC-52FV-F726-1	1	1	SC
12	DB67-00397A	FAN PROPELLER	AS+GF 20%	1	1	SA
13	DB60-30004A	SCREW-MACHINE	"M6,ZPC(WHT)"	1	1	SNA
14	DB93-05856A	ASS'Y CONTROL OUT	ASS'Y	1	1	SA
14-1	DB61-02249A	CASE CONTROL-COVER	ABS	1	1	SA
14-2	DB93-05889A	ASS'Y PCB MAIN-INV	ASS'Y	1	1	SA
14-3	DB62-03155A	HEAT SINK	AL	1	1	SA
14-4	DB93-04906B	ASS'Y PCB SUB-EMI	ASS'Y	1	1	SNA
14-5	DB93-06291A	ASS'Y PCB MAIN	ASS'Y	1	1	SA
14-6	DB62-02250A	CASE CONTROL-BASE	ABS	1	1	SNA
14-7	DB70-00728A	PLATE-CONTROL OUT UPPER	SGCC-M	1	1	SNA
14-8	DB70-00727A	PLATE-CONTROL OUT MAIN	SGCC-M	1	1	SNA
14-9	DB65-00181D	TERMINAL BLOCK	BLK	1	1	SC
14-10	DB65-00181F	TERMINAL BLOCK	BLK	1	1	SC
14-11	DB95-01180A	ASS'Y-TERMINAL BLOCK	ASS'Y	1	1	SC
14-12	DB93-06290A	ASS'Y PCB DISPLAY	ASS'Y	1	1	SA
14-13	DB61-01097A	HOLDER-WIRE CLAMP	ABS	2	2	SA
15	DB95-01174B	ASS'Y COMP PART	ASS'Y	1	1	SNA
15-1	DB63-00763A	GROMMET ISOLATOR	NR35	3	3	SA
15-2	DB60-30028A	SCREW-HEX	ZPC(WHT)	3	3	SA
15-3	6021-001142	NUT-HEXAGON FLANGE	"M5,ZPC(YEL)"	1	1	SA
15-4	DB63-00762A	COVER TERMINAL	GE-NORYL	1	1	SA
15-5	6021-001142	GASKET	EPDM	1	1	SA
15-6	G8T200FUAEW	COMPRESSOR	BLDC	1	1	-
16	DB96-08845A	ASS'Y COND	ASS'Y	1	1	SNA
17	DB96-09247A	ASS'Y-VALVE TOTAL	ASS'Y	1	1	SNA
17-1	DB96-08860A	ASS'Y-4 WAY VALVE	ASS'Y	1	1	SNA
17-2	DB96-08905A	ASS'Y-VALVE	ASS'Y	1	1	SNA
18	DB64-02028B	SCREEN COND BAR	HSWR(SC-90073T)	1	1	SA

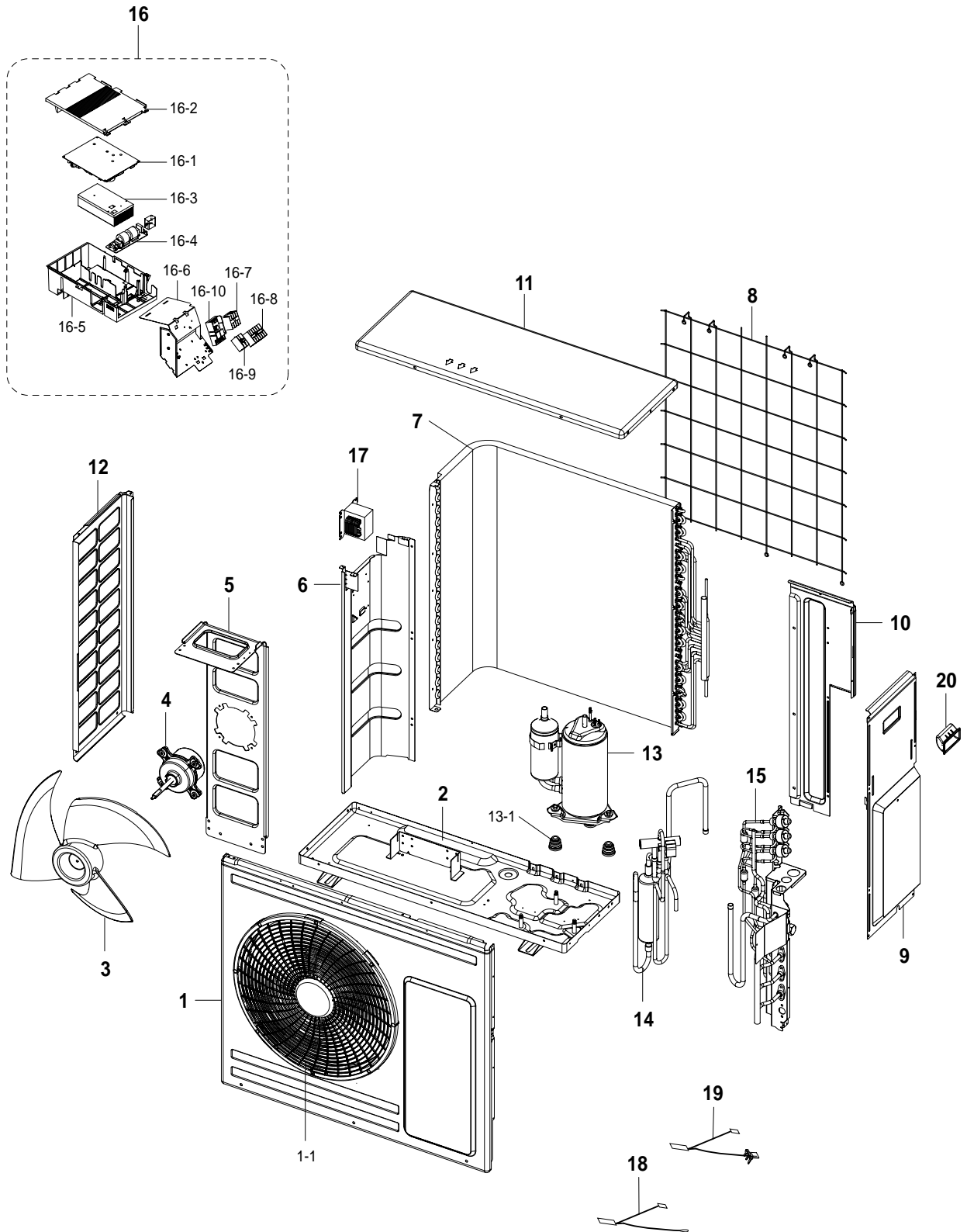
5-2-2 MH050FXEA2B/MH050FXEA2C



■ Parts List

No.	Code No.	Description	Specification	Q'TY		SA/SNA
				MH050FXEA2B	MH050FXEA2C	
1	DB90-01146H	ASS'Y CABINET FRONT	ASS'Y	1	1	SA
1-1	DB63-00838A	GUARD FAN	PP,SC-90073R	1	1	SA
2	DB90-03278B	ASS'Y BASE OUT	ASS'Y	1	1	SNA
3	DB67-00142A	FAN PROPELLER	PP	1	1	SA
4	DB31-00492A	MOTOR FAN	SGCC-M	1	1	SA
5	DB61-00696A	BRACKET MOTOR	ASS'Y	1	1	SA
6	DB94-01326A	ASS'Y PARTITION	ASS'Y	1	1	SNA
7	DB96-09225A	ASS'Y CONDENSER	ASS'Y	1	1	SA
8	DB64-02083B	SCREEN-COND BAR	HSWR(SC-90073T)	1	1	SA
9	DB90-03096A	ASS'Y CABINET SIDE	ASS'Y	1	1	SA
10	DB90-03652A	ASS'Y COVER CONTROL	ASS'Y	1	-	SA
	DB63-02483A	ASS'Y COVER VALVE	ASS'Y	-	1	SA
11	DB90-03275A	ASS'Y CABINET UP	ASS'Y	1	1	SA
12	DB90-01351A	ASS'Y CABINET LF	SECC-P	1	1	SA
13	G8T200FUAEW	ROTARY COMPRESSOR	BLDC PERMANENT MAGNETIC MOTOR	1	1	SA
13-1	DB63-00763A	GROMMET-ISOLATOR	NR	3	3	SNA
14	DB96-08909A	ASS'Y VALVE 4-WAY	ASS'Y	1	1	SA
15	DB96-08910A	ASS'Y VALVE	ASS'Y	1	1	SA
16	DB93-05697G	ASS'Y CONTROL OUT	ASS'Y	1	1	SA
16-1	DB93-05700G	ASS'Y PCB MAIN	ASS'Y	1	1	SA
16-2	DB61-02974A	CASE CONTROL-COVER	ASS'Y	1	1	SA
16-3	DB62-05315A	HEAT SINK	ABS	1	1	SNA
16-4	DB93-04745B	ASS'Y PCB EMI	ASS'Y	1	1	SNA
16-5	DB61-02973A	CASE CONTROL-BASE	AL	1	1	SA
16-6	DB70-00730A	PLATE-CONTROL OUT UPPER	ABS	1	1	SNA
16-7	DB70-00729A	PLATE-CONTROL OUT MAIN	SGCC-M	1	1	SNA
16-8	DB65-00181D	TERMINAL BLOCK	BLK	1	1	SA
16-9	DB65-00181F	TERMINAL BLOCK	BLK	1	1	SA
16-10	DB95-01180A	ASS'Y-TERMINAL BLOCK	ASS'Y	1	1	SA
16-11	DB93-06290A	ASS'Y PCB DISPLAY	ASS'Y	1	1	SA
16-12	DB61-01097A	HOLDER-WIRE CLAMP	ABS	2	2	SA
17	DB27-00042A	REACTOR	5MH \pm 5%,40.0 \pm 5V	1	1	SA
18	DB32-00175B	THERMISTOR CONDENSER	103AT,204CTB	1	1	SA
19	DB32-00176A	THERMISTOR	103AT,204CTB	1	1	SA

5-2-3 MH060FXEA3B/MH070FXEA4B/MH080FXEA4B



■ Parts List

No.	Code No.	Description	Specification	Q'TY			SA/SNA
				MH060FXEA3B	MH070FXEA4B	MH080FXEA4B	
1	DB90-03918B	ASS'Y CABI FRONT-TOTAL	ASS'Y	1	1	1	SNA
1-1	DB63-00831A	GUARD FAN-P	PP,SC-90073R	1	1	1	SA
2	DB90-03278C	ASS'Y BASE OUT-TOTAL	ASS'Y	1	1	1	SNA
3	DB67-00861A	FAN PROFELLER	AS-GF 20%	1	1	1	SNA
4	DB31-00512A	MOTOR FAN	65A,130W,DC 310V	1	1	1	SA
5	DB61-20094D	BASE MOTOR	SGCC-M	1	1	1	SNA
6	DB94-01750A	ASS'Y PARTITION	ASS'Y	1	1	1	SNA
7	DB96-08873A	ASS'Y COND	ASS'Y	1	-	-	SNA
	DB96-09223A	ASS'Y COND	ASS'Y	-	1	1	SNA
8	DB71-00122A	BAR STEEL	HSWR	1	1	1	SNA
9	DB90-03920A	ASS'Y CABINET-SIDE RH	ASS'Y	1	1	1	SNA
10	DB90-03919A	ASS'Y CABI BACK-RH	ABS	1	1	1	SNA
11	DB90-03275A	ASS'Y CABINET UP	ASS'Y	1	1	1	SNA
12	DB90-03932A	ASS'Y CABINET-SIDE LF PAINT	ASS'Y	1	1	1	SNA
13	G8T200FUAWEW	COMPRESSOR	BLDC INVERTER	1	-	-	SA
	G8T260FUAWEW	COMPRESSOR	BLDC INVERTER	-	1	1	SA
13-1	DB63-00763A	GROMMET ISOLATOR	NR	3	3	3	SNA
14	DB96-08915A	ASS'Y 4WAY VALVE	ASS'Y	1	-	-	SNA
	DB96-09230A	ASS'Y 4WAY VALVE	ASS'Y	-	1	1	SNA
15	DB96-08922A	ASS'Y VALVE	ASS'Y	1	-	-	SNA
	DB96-09236A	ASS'Y VALVE	ASS'Y	-	1	1	SNA
16	DB93-05697F	ASS'Y CONTROL OUT	ASS'Y	1	-	-	SA
	DB93-05697E	ASS'Y CONTROL OUT	ASS'Y	-	1	-	SA
	DB93-05697D	ASS'Y CONTROL OUT	ASS'Y	-	-	1	SA
16-1	DB93-05700F	ASS'Y PCB MAIN	ASS'Y	1	-	-	SA
	DB93-05700E	ASS'Y PCB MAIN	ASS'Y	-	1	-	SA
	DB93-05700D	ASS'Y PCB MAIN	ASS'Y	-	-	1	SA
16-2	DB61-02974A	CASE CONTROL COVER	ABS	1	1	1	SA
16-3	DB62-05315A	HEAT SINK		1	1	1	SNA
16-4	DB93-04745D	ASS'Y PCB SUB EMI	ASS'Y	1	-	-	SNA
	DB93-04745C	ASS'Y PCB SUB EMI	ASS'Y	-	1	1	SNA
16-5	DB61-02973A	CASE CONTROL BASE	ABS	1	1	1	SNA
16-6	DB70-00910A	PLATE-CONTROL OUT	SGCC-M	1	1	1	SC
16-7	DB95-01180B	ASS'Y-TERMINAL BLOCK	SGCC-M	1	1	1	SC
16-8	DB65-00181D	TERMINAL BLOCK	BLK	1	1	1	SC
16-9	DB65-00181F	TERMINAL BLOCK	BLK	-	1	1	SC
	DB65-00181E	TERMINAL BLOCK	BLK	1	-	-	SC
16-10	DB95-01180A	ASS'Y-TERMINAL BLOCK	ASS'Y	1	1	1	SC
16-11	DB93-06290A	ASS'Y PCB SUB-DISPLAY	ASS'Y	1	1	1	SA
16-12	DB61-01097A	HOLDER WIRE CLAMP	ABS	2	2	2	SA
17	DB27-00042A	REACTOR	15A, 50Hz	1	-	-	SA
	DB27-00043A	REACTOR	20A, 50Hz	-	1	1	SA
18	DB32-00175B	THERMISTOR COND	103AT,204CTB	1	1	1	SC
19	DB32-00176C	THERMISTOR WIRE OUT/DISCHARGE	103AT,204CTB	1	1	1	SC
20	DB64-01231A	HANDLE	ABS	1	1	1	SA