

1. WW80TA026AE/EC

EXPLODED VIEWS AND PARTS LIST



[MATERIAL CODE STANDARDS]

Material codes and names and their respective naming rules are managed in accordance with the prescribed standards. Please refer to these standards when requesting a material.

1. Material Code Type

● : Number

■ : Letter (Alphabet)

Type 1	 ex) 0204-000418 FREON	Enterprise-wide parts Type 1 materials can be used for all Samsung Electronics products. (Most electrical parts belong to this type.)
Type 2	 ex) DC96-01390A ASSY-CONTROL	Division-wide parts (DC**-Washing machine) Type 2 materials can be used for specific products. (Most instruments and tools belong to this type.)

2. Ass'y Materials

All ass'y material codes start with DC9*.

An ass'y material is created by combining more than two materials. If a requested material cannot be provided, you can request an ass'y material that contains that material.

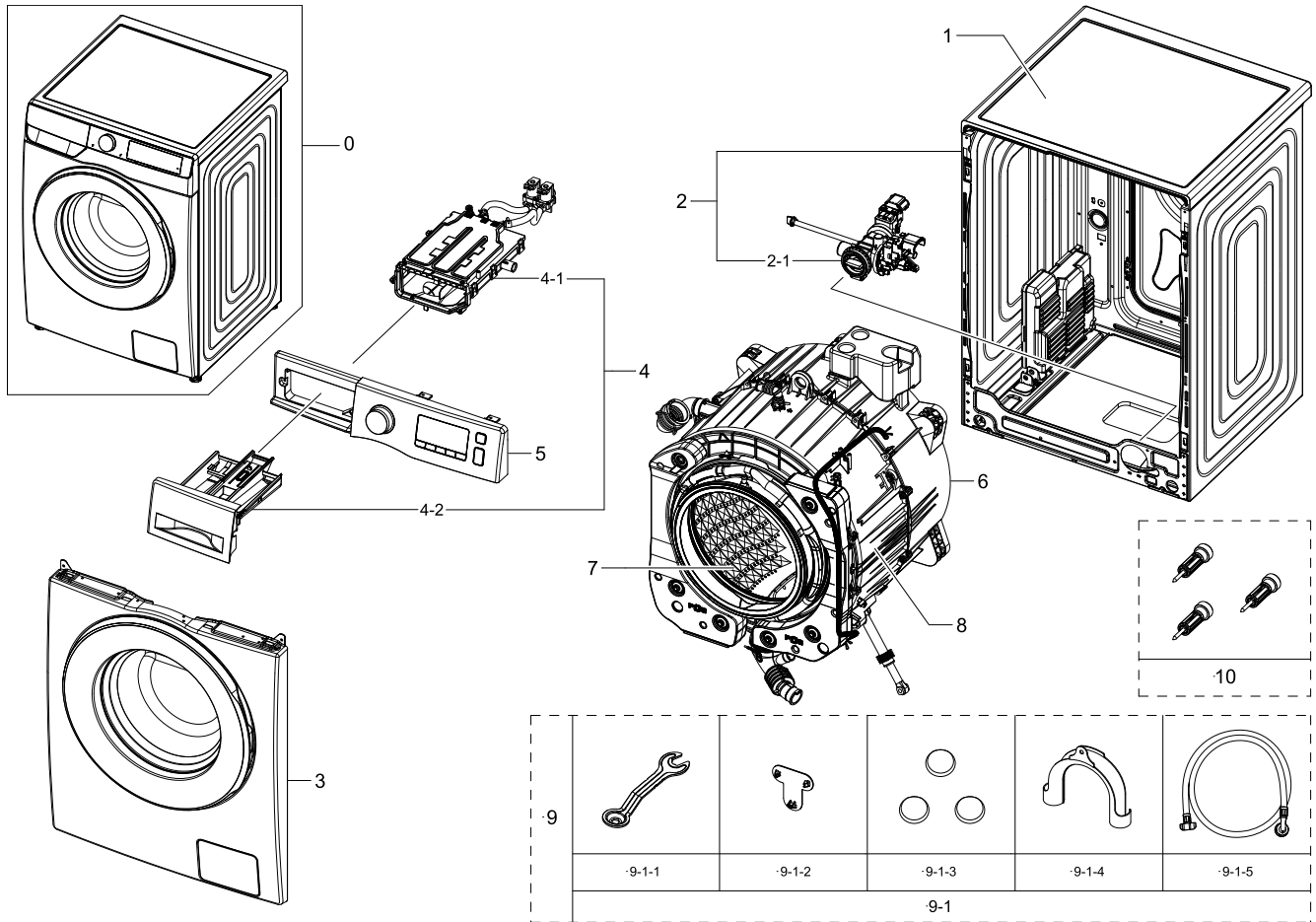
3. For information about purchasing parts and tool, please visit <http://www.samsung.com/support>

4. The part that is assigned as SA (service available) will be able to purchase.

The part that is assigned as SNA (service not available) will not supply, in result, not available in the market.

2. Main

Exploded View



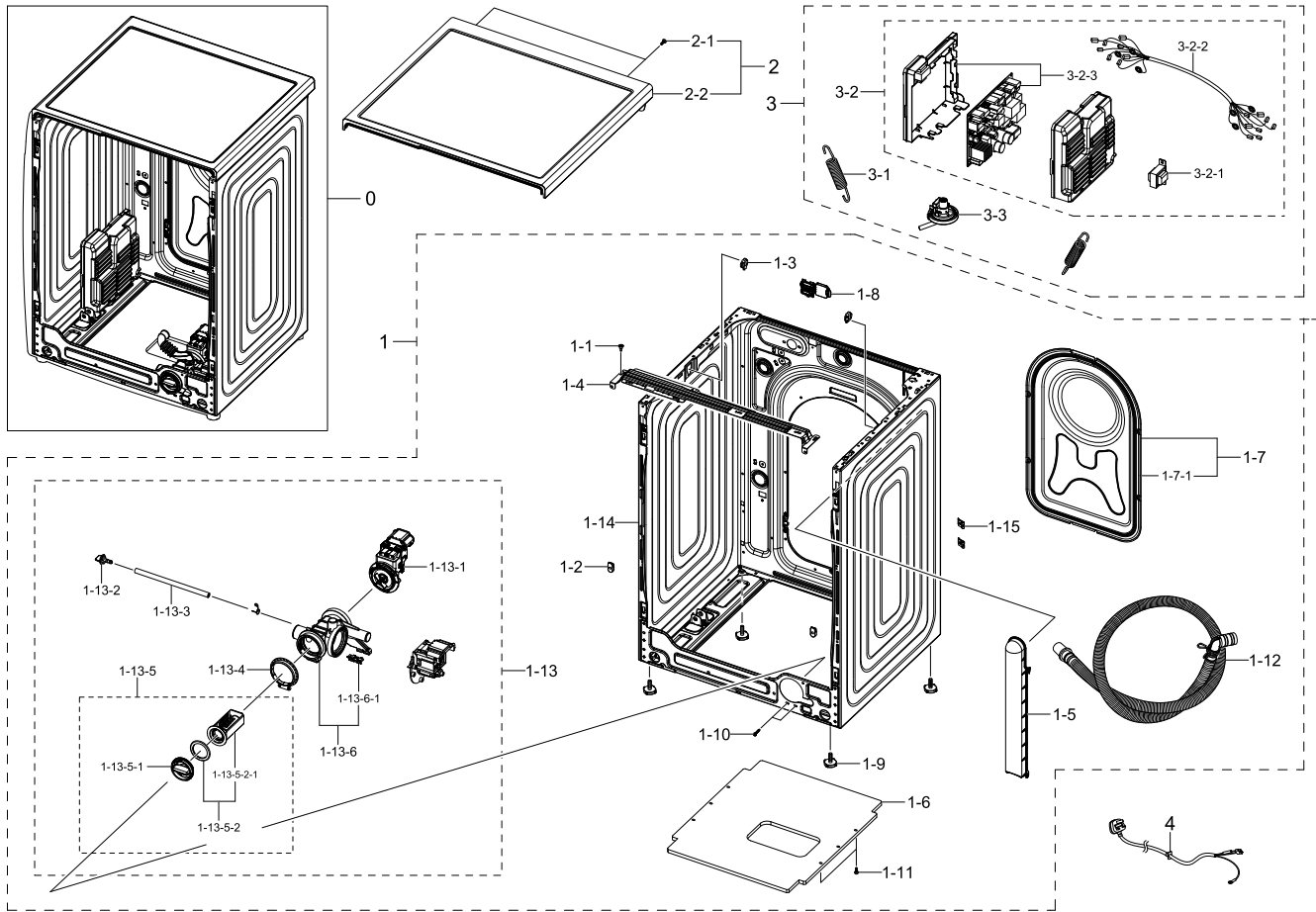
Parts List

No.	Lvl.	Loc.	Material Code	Description & Specification	SNA	Qty.
1	1		DC90-28643A	ASSY COVER TOP PARTS; WW6000T,WW90T684DLH	SNA	1
2	1		DC90-28642C	ASSY FRAME PARTS; WW5000T,WW90T534DAW/S3	SNA	1
2-1	2	W0194	DC97-17336H	ASSY PUMP DRAIN; WW6000T,EUR1,Bubble,220-	SA	1
3	1		DC90-28645B	ASSY FRONT PARTS; WW5000T,WW90T534DAW/S3	SNA	1
4	1		DC90-28644S	ASSY DRAWER PARTS; WW5000T,WW80TA046TH/EU	SNA	1
4-1	2	W0163	DC97-22247D	ASSY HOUSING DRAWER-MODULE; U-PJT (F500),	SA	1
4-2	2	W0216	DC97-22416A	ASSY DRAWER-MODULE; WW4,5000T,WW**T4(A)**	SA	1
5	1		DC90-28696Q	ASSY PANEL CONTROL PARTS; WW5000T,WW90TA0	SNA	1

No.	Lvl.	Loc.	Material Code	Description & Specification	SNA	Qty.
6	1		DC90-28647A	ASSY TUB BACK PARTS; WW6000T,WW90T684DLH/	SNA	1
7	1	W0165	DC90-12363A	ASSY DRUM; F500E,WF80F5E5U4W/EF	SNA	1
8	1		DC90-28646C	ASSY TUB FRONT PARTS; WW5000T,WW90T534DAW	SNA	1
9	1		DC90-28651B	ASSY ACCESSORY PARTS; WW4000T,WW90T4540AX	SNA	1
9-1	2	W0718	DC98-04403B	ASSY ACCESSORY; WW4000T,WW90T4540AX/EU	SNA	1
9-1-1	3	WJ5077	DC60-40146A	BOLT SPANER; PO-SPHC,T2.5,L166	SA	1
9-1-2	3	W0614	DC67-00208B	CAP-FIXER; WF8602NHS/XFA,PP,T1.5,COPO,BLA	SA	1
9-1-3	3	W0614	DC67-00307A	CAP-FIXER; WF438AAC/XAA,PP,T1.5,COPO,BLAC	SC	3
9-1-4	3	W0626	DC67-00357A	HOSE-HANGER; SEM,PP+TD20%,ID24.13,T2,INNE	SA	1
9-1-5	3	W0757	DC97-17845A	ASSY HOSE WATER; COLD,ALL MODEL	SA	1
10	2	W0603	DC97-14653C	ASSY FIXER TUB; SCOUT,WF0804Y8E/XEF	SA	3

3. Assy Frame & Inner Parts

Exploded View



Parts List

No.	Lvl.	Loc.	Material Code	Description & Specification	SNA	Qty.
1	1		DC90-28642C	ASSY FRAME PARTS; WW5000T,WW90T534DAW/S3	SNA	1
1-1	2	W0102	6009-001240	SCREW-SPECIAL; TH,+,M5,L13.5,ZPC(WHT),SWR	SA	2
1-2	2		DC61-01901A	GUIDE FRAME FRONT; ALL MODEL,POM,K300,NAT	SNA	2
1-3	2	WI0266	DC61-02065A	GUIDE SPRING; WF448AAG/XXA,POM,T4,W24,L36	SA	2
1-4	2	W0248	DC61-03467A	FRAME PLATE-UP; WF-F500E,GI-SGCC,T1,L581,	SA	1
1-5	2		DC61-05003A	GUIDE HOSE DRAIN; F500E Platform,ABS,T2.6	SNA	1
1-6	2	W0629	DC61-20001B	SHUTTER; F500E Platform, VE,PP,J370,NATUR	SA	1
1-7	2	G0430	DC97-22389A	ASSY COVER BACK; WW6000T,WW90T684DLH/S1	SA	1

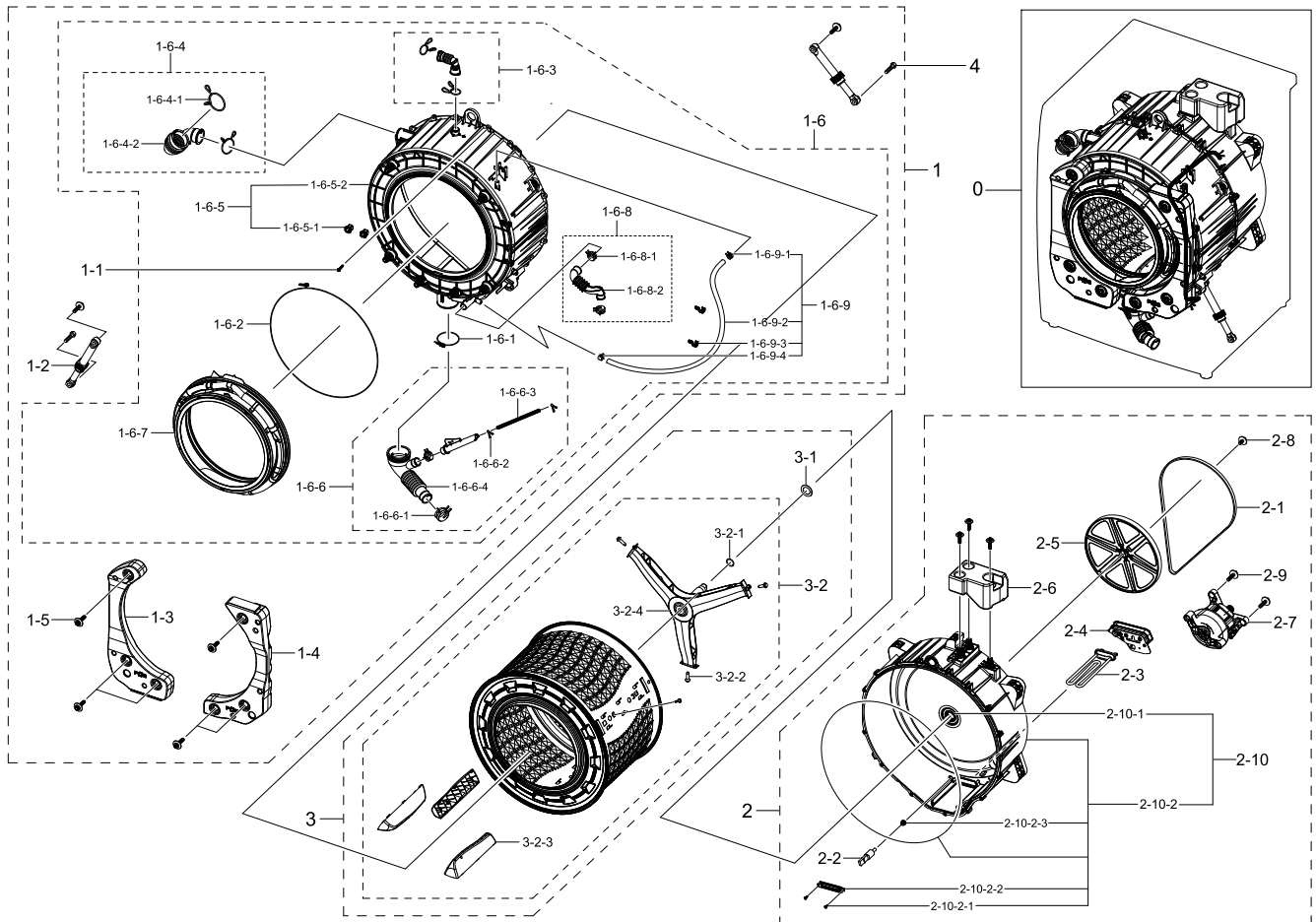
No.	Lvl.	Loc.	Material Code	Description & Specification	SNA	Qty.
1-7-1	3		DC63-01034D	COVER BACK; W6000J,GI-SGCC,T0.35	SA	1
1-8	2		DC63-02181A	COVER CONNECTOR; WW5500K (SEHC),PP,HB,NAT	SA	1
1-9	2	W0606	DC97-00920W	ASSY LEG; WW6000T,WD90T654DBH/S1,48.5,M10	SA	4
1-10	2	M0030	DC97-14006A	ASSY SCREW; WF203,M4/L16	SA	2
1-11	2	M0030	DC97-14006B	ASSY SCREW; WW5000J,M4,L16,OD14.8,NO RUBB	SA	5
1-12	2	W0604	DC97-16240B	ASSY HOSE DRAIN(O); F500E,WF80F5E5,ASSY,L	SA	1
1-13	2	W0194	DC97-17336H	ASSY PUMP DRAIN; WW6000T,EUR1,Bubble,220-	SA	1
1-13-1	3		DC31-00181E	MOTOR AC PUMP; Drum,S3032,2Pole,220-240V,	SA	2
1-13-2	3	WI0107	DC61-10673A	CAP DRAIN; WF220ANW,PP,-,-,-,-,CNTK-P10	SA	1
1-13-3	3	U2015	DC67-00244C	HOSE DRAIN; WF0804Y8E,EPDM,ID6,OD11,T2.5,	SA	1
1-13-4	3		DC69-01128A	PACKING-PUMP; WF8804DP,IIR,BUTYL,T2.5,HEB	SA	1
1-13-5	3	G0050	DC97-15695A	ASSY FILTER; GRIFFIN-PJT,WF9804RWE,PP+EPD	SA	1
1-13-5-1	4	WI0357	DC64-01317A	HANDLE FILTER; BAIKAL,PP+TD20%,FC2210,INN	SA	1
1-13-5-2	4		DC97-19203A	ASSY SEMI FILTER; F500/400, WW6000/3000,B	SNA	1
1-13-5-2-1	5	W0633	DC63-00998A	FILTER PUMP; SCOUT-PJT,PP+TD30%,W52.8,L93	SA	1
1-13-6	3	W0514	DC97-19376A	ASSY CASE FILTER; F500E,WF80F5E5U4W/EF,BU	SA	1
1-13-6-1	4	WO0031	DC63-00905A	CUSHION PUMP; WF8802DPF/XET,NBR,W37.6,L11	SA	1
1-14	2	W0506	DC97-22383A	ASSY FRAME-MODULE; WW6000T,T0.7,DA WHITE	SA	1
1-15	2		DD61-00140A	BRACKET-TAPPING; SDW-T120B,SWRCH10A,T0.6,	SNA	2
2	1		DC90-28643A	ASSY COVER TOP PARTS; WW6000T,WW90T684DLH	SNA	1
2-1	2	G0412	6002-000613	SCREW-TAPPING; TH,+,-,2,M5,L16,ZPC(WHT),S	SNA	2
2-2	2	W0183	DC97-22310A	ASSY COVER TOP-MODULE; F400,8kg,ABS+CHIP	SA	1
3	1		DC90-28669Z	ASSY INNER PARTS; WW5000T,WW80TA026TE/EF	SNA	1
3-1	2		DC61-02029D	SPRING ETC-HANGER MODULE; WW6800M,HSWR,3.	SA	2

Exploded Views and Parts List

No.	Lvl.	Loc.	Material Code	Description & Specification	SNA	Qty.
3-2	2		DC92-02784Z	ASSY COVER PCB W/HARNESS; WW5000T,WW80TA0	SNA	1
3-2-1	3		DC27-00012A	COIL HARMONIC; 4.5mH,40x69x39mm,3A,-	SA	1
3-2-2	3		DC93-00883R	ASSY WIRE HARNESS-MAIN; DRUM-M,WW4000T,F-	SA	1
3-2-3	3		DC94-10585A	ASSY PCB EEPROM; 00D6,WW5000T	SA	1
3-3	2	H2050	DC96-01703Q	SENSOR PRESSURE; Air,5V,L0,400mmH2O	SA	1
4	2		DC39-00067B	POWER CORD-AT; H05VV-F 3x1.0mm2,GRY,EU3F,	SA	1

4. Assy Tub & Drum Parts

Exploded View



Parts List

No.	Lvl.	Loc.	Material Code	Description & Specification	SNA	Qty.
1	1		DC90-28646C	ASSY TUB FRONT PARTS; WW5000T,WW90T534DAW	SNA	1
1-1	2	G0049	6009-001367	BOLT-HEX; M6.5,L32,ZPC(WHT),HWH,+,SWRCH18	SA	15
1-2	2		DC66-00470G	DAMPER SHOCK-MODULE; 24" Drum,PP/RUBBER/S	SA	2
1-3	2		DC67-01109B	WEIGHT BALANCER-LEFT MODULE; WW6000T,CONC	SA	1
1-4	2		DC67-01110B	WEIGHT BALANCER-RIGHT MODULE; WW6000T,CON	SA	1
1-5	2	W0601	DC97-14263A	ASSY BOLT; MOTOR/BOLT(M8)+WASHER(OD27.5),	SA	8
1-6	2	G0048	DC97-22380C	ASSY TUB FRONT-MODULE; WW5000T,BUBBLE,NON	SNA	1
1-6-1	3	W0744	DC65-00021A	CLAMPER HOSE-JOINT; HEBA PJT,HSWR	SA	1

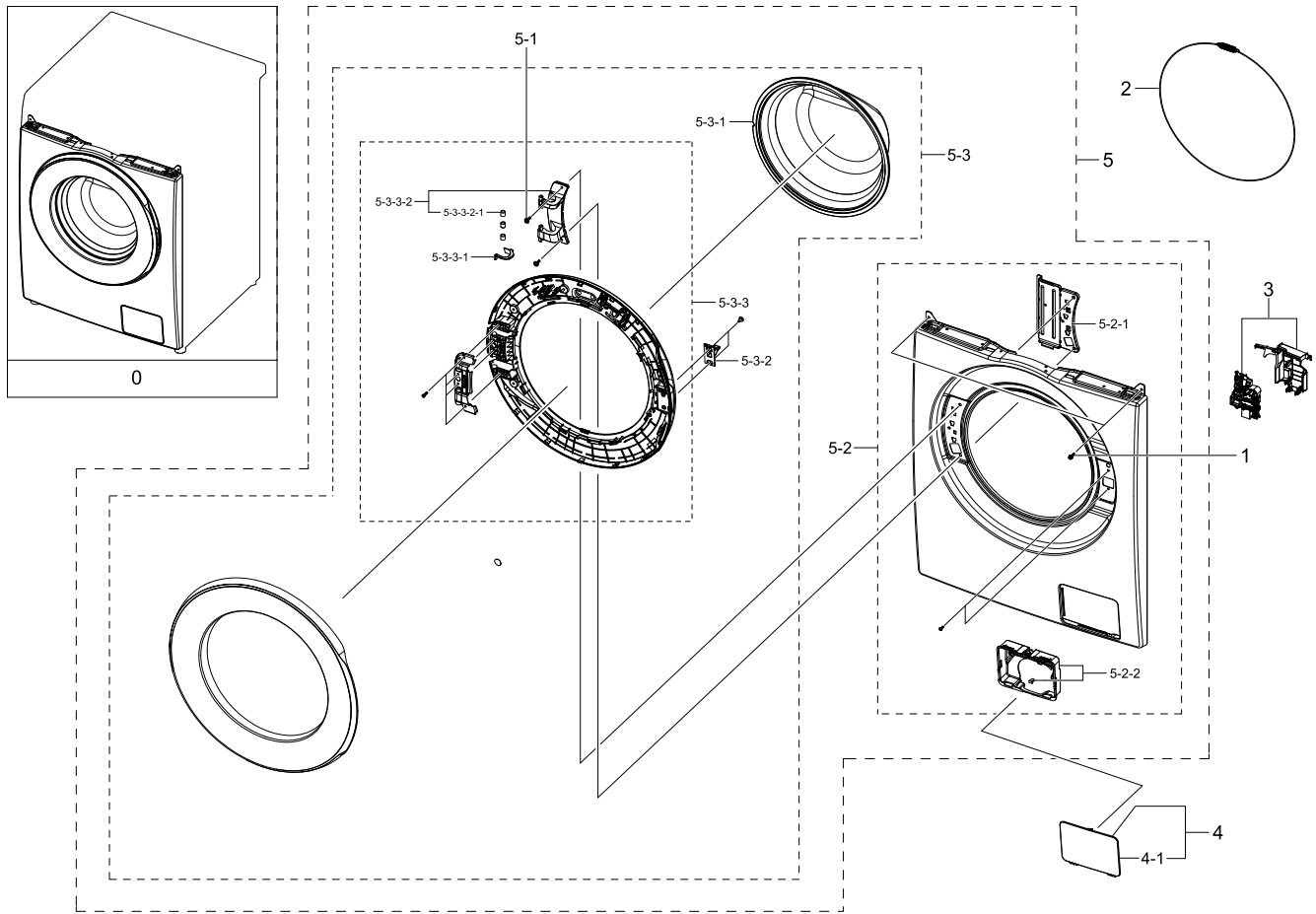
Exploded Views and Parts List

No.	Lvl.	Loc.	Material Code	Description & Specification	SNA	Qty.
1-6-2	3	M0038	DC97-14618A	ASSY CLAMP DIAPHRAGM; WF8804DP,OD2.0/L124	SA	1
1-6-3	3	G0422	DC97-14873C	ASSY HOSE AIR; F500,WF80F5E5U4W	SA	1
1-6-4	3	G0043	DC97-14874F	ASSY HOSE DRAWER; F500E,ALL	SA	1
1-6-4-1	4		DC61-04117A	CLIP RING; HSWR,T3.0	SA	1
1-6-4-2	4	WJ0027	DC72-00001G	CLIP RING; HEBA-PJT,HSWR,HSWR-SWRH ZPC2,T	SA	1
1-6-5	3	W0636	DC97-17327D	ASSY SEMI TUB FRONT; WW6000T,FRPP,BUBBLE,	SNA	1
1-6-5-1	4	WS0064	DC61-02549A	BUSH MOTOR; HEBA BIGBANG,PA66,NATURAL,KN3	SA	2
1-6-5-2	4		DC61-03453G	TUB FRONT; WW6000T,PP+GF30%,T3.5,NATURAL,	SA	1
1-6-6	3	W0605	DC97-17330A	ASSY HOSE PRESSURE; F500E,WF80F5E5U4W/EF	SA	1
1-6-6-1	4	W0615	DC61-00219C	CLAMPER HOSE; SK5,WLSL1100A,ID35,ZPC2	SA	1
1-6-6-2	4	WP0165	DC61-70029C	CLIP RING; SEW-HW125,HSWR,WHITE	SA	2
1-6-6-3	4	W0725	DC67-00230E	HOSE WATER; WD8704,TPE,ID4.5	SA	1
1-6-6-4	4	W0625	DC67-00551A	HOSE FILTER TUB; VOLGA,EPDM,ID64.5,OD70,T	SA	1
1-6-7	3	W0234	DC64-02888A	DOOR DIAPHRAGM; F500E Platform (2WAY),TPE	SA	1
1-6-8	3	G0422	DC97-17339B	ASSY HOSE AIR; WW5000J,BUBBLE,ID 19.3,BLK	SA	1
1-6-8-1	4	W0615	DC61-00158B	CLAMPER HOSE; UBS,SK5	SNA	2
1-6-8-2	4	G0053	DC67-00671A	HOSE AIR TUB; F500,EPDM,ID19.3,T2.5,BLACK	SA	1
1-6-9	3		DC97-22378A	ASSY HOSE CIRCULATION; WW6000T,WW90T684DL	SNA	1
1-6-9-1	4	W0615	DC65-00008A	CLAMPER HOSE; SEW-DR605,SK5,ID14.2/T0.9	SA	1
1-6-9-2	4	G0052	DC67-00471E	HOSE CIRCULATION; F500E,EPDM,ID9,T2.75,BL	SA	1
1-6-9-3	4	G0415	DC61-02646A	GUIDE HOSE; WF0804Y8E,PP,T2,W9.8,L36.6,RM	SA	2
1-6-9-4	4	W0615	DC65-00008F	CLAMPER HOSE; F500E,SK5,ID14.2 / T0.9 / W	SA	1
2	1		DC90-28647A	ASSY TUB BACK PARTS; WW6000T,WW90T684DLH/	SNA	1
2-1	2	W0209	6602-003939	BELT-TIMING GEAR; RUBBER,BLK,T3.2,W11.7,L	SA	1
2-2	2	M0487	DC32-00010C	THERMISTOR; WASHER,-10~100,5,5,3.243k ± 2	SA	1
2-3	2	W0237	DC47-00033B	HEATER WASH; AC230V,2000W,SUS316L,728mm,N	SA	1

No.	Lvl.	Loc.	Material Code	Description & Specification	SNA	Qty.
2-4	2	W0235	DC63-01553A	COVER HEATER; F500 PJT,PC+ABS,W77,L168.1,	SA	1
2-5	2	W0434	DC66-00767A	PULLEY MOTOR; F500,PA6,NATURAL,OD296.8,B2	SA	1
2-6	2		DC67-01108A	WEIGHT BALANCER-UP MODULE; WW6000T,CONCRE	SA	1
2-7	2		DC93-00630A	ASSY MOTOR BLDC-MODULE; F4 24mm Press Hou	SA	1
2-8	2	W0601	DC97-06080F	ASSY BOLT; WD9500J,30,M12,Washer 38	SA	1
2-9	2	W0601	DC97-14263A	ASSY BOLT; MOTOR/BOLT(M8)+WASHER(OD27.5),	SA	5
2-10	2	W0501	DC97-17334C	ASSY TUB BACK-MODULE; WW6000T, FRPP GF 30	SA	1
2-10-1	3	WS0119	DC62-00008A	SEAL OIL; NBR,BLACK,-,NBU	SA	1
2-10-2	3	G0029	DC97-17329C	ASSY SEMI TUB BACK; WW6000T,FRPP,GF30%,SE	SNA	1
2-10-2-1	4	W0105	6002-000473	SCREW-TAPPING; TH,+,NO,1,M4,L14,PASS,STS3	SA	2
2-10-2-2	4	W0230	DC61-02874A	BRACKET HEATER; WD0704CQR,STS430,T0.5	SA	1
2-10-2-3	4	M0028	DC69-00824A	PACKING-THERMISTOR; GW-PJT,EPDM,-,W17,H	SA	1
3	1	W0165	DC90-12363A	ASSY DRUM; F500E,WF80F5E5U4W/EF	SNA	1
3-1	2	WS0131	DC60-00069A	SPACER; WR-HA139WA,STS304	SA	1
3-2	2	W0165	DC97-17231A	ASSY DRUM-MODULE; F500 PJT	SA	1
3-2-1	3		6044-002157	RING-OG; ID28,OD32.2,T2.1,BLK,NBR	SA	1
3-2-2	3	WJ5081	DC60-40137A	BOLT HEX; MARS-PJT,STS430,M8,P1.25,L30,HE	SA	3
3-2-3	3	W0619	DC66-00759A	DRUM LIFTER; F500 PJT,PP+TD20%,FC2210,INN	SA	3
3-2-4	3	W0164	DC97-17234A	ASSY FLANGE SHAFT; F500 PJT,71.5	SA	1
4	2	G0049	DC60-40144A	BOLT HEX; F500,SM10C,T10,L35,DAMPER	SA	2

5. Assy Front Parts

Exploded View



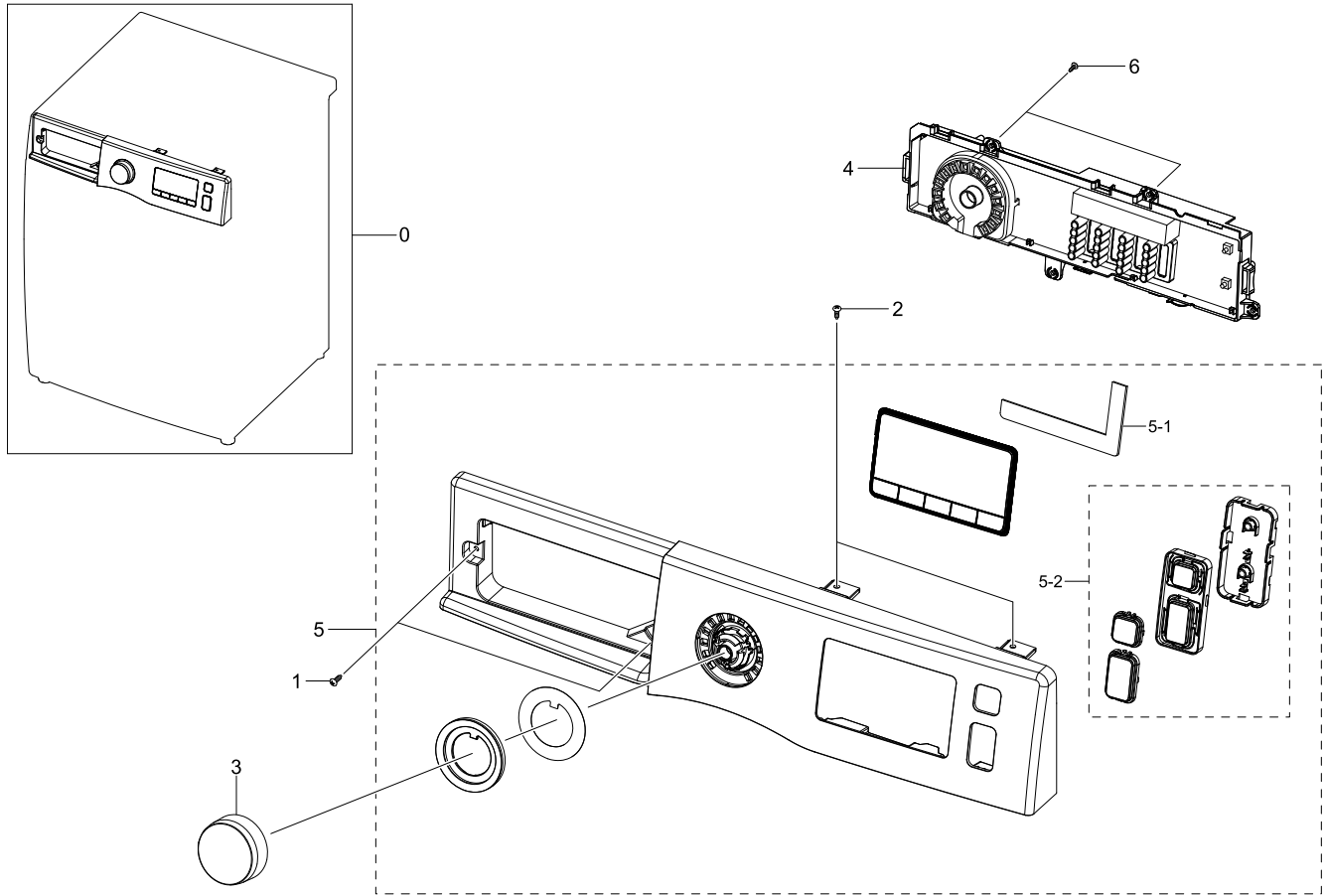
Parts List

No.	Lvl.	Loc.	Material Code	Description & Specification	SNA	Qty.
0	1		DC90-28645B	ASSY FRONT PARTS; WW5000T,WW90T534DAW/S3	SNA	1
1	2	W0105	6002-001438	SCREW-TAPPING; HWH,+,NO,1,M5,L12,ZPC(WHT)	SA	2
2	2	W0608	DC91-12078D	ASSY WIRE DIAPHRAGM; HEBA-PJT,-,-,-,-	SA	1
3	2		DC97-22289A	ASSY COVER DOOR SWITCH; WW6000T	SA	1
4	2	M0039	DC97-22290A	ASSY COVER FILTER; WW6000T,ABS,T2.5,DA WH	SA	1
4-1	3		DC63-00920M	COVER FILTER; ADD WASH,ABS,T2.5,DA WHITE,	SA	1
5	2	W0253	DC97-22377B	ASSY FRAME FRONT; WW5000T,WW90T534DAW/S3	SNA	1
5-1	3	G0425	6009-001522	SCREW-HEX; HWH,+,M5,L16,PASS,STS430,FP,SE	SA	2

No.	Lvl.	Loc.	Material Code	Description & Specification	SNA	Qty.
5-2	3		DC97-22382C	ASSY FRAME FRONT-MODULE; WW5000T,WW90T534	SA	1
5-2-1	4	W0226	DC61-02584A	BRACKET HINGE; GI-SGCC,T1.4,W127,L178	SA	1
5-2-2	4		DC97-20168A	ASSY FILTER GUIDE; F500,WW5,WW6,WF80F5E5U	SA	1
5-3	3	W0459	DC97-22399A	ASSY DOOR-MODULE; WW5000T,BLACK,BASIC	SA	1
5-3-1	4	WD0070	DC64-01521A	DOOR GLASS; WF8804DP,GLASS,T5,H120.5,NATU	SA	1
5-3-2	4	W0474	DC66-00375A	LEVER DOOR; 10KG DRUM,ZNDC,T2.5,-,-,-,N	SA	1
5-3-3	4	W0454	DC97-22130A	ASSY HOLDER GLASS; WW8000T,NON ADD WASH	SNA	1
5-3-3-1	5		DC61-02197A	GUIDE WIRE; WD9500JK,POM,T1,M90-44,NATURA	SA	1
5-3-3-2	5		DC97-20016A	ASSY HINGE DOOR; WW6500, WW5500, WW4500	SNA	1
5-3-3-2-1	6	WD0090	DC61-00891A	GUIDE HINGE; HAUZEN(DOM),POM,K300,NATURAL	SA	3

6. Assy Panel Control Parts

Exploded View

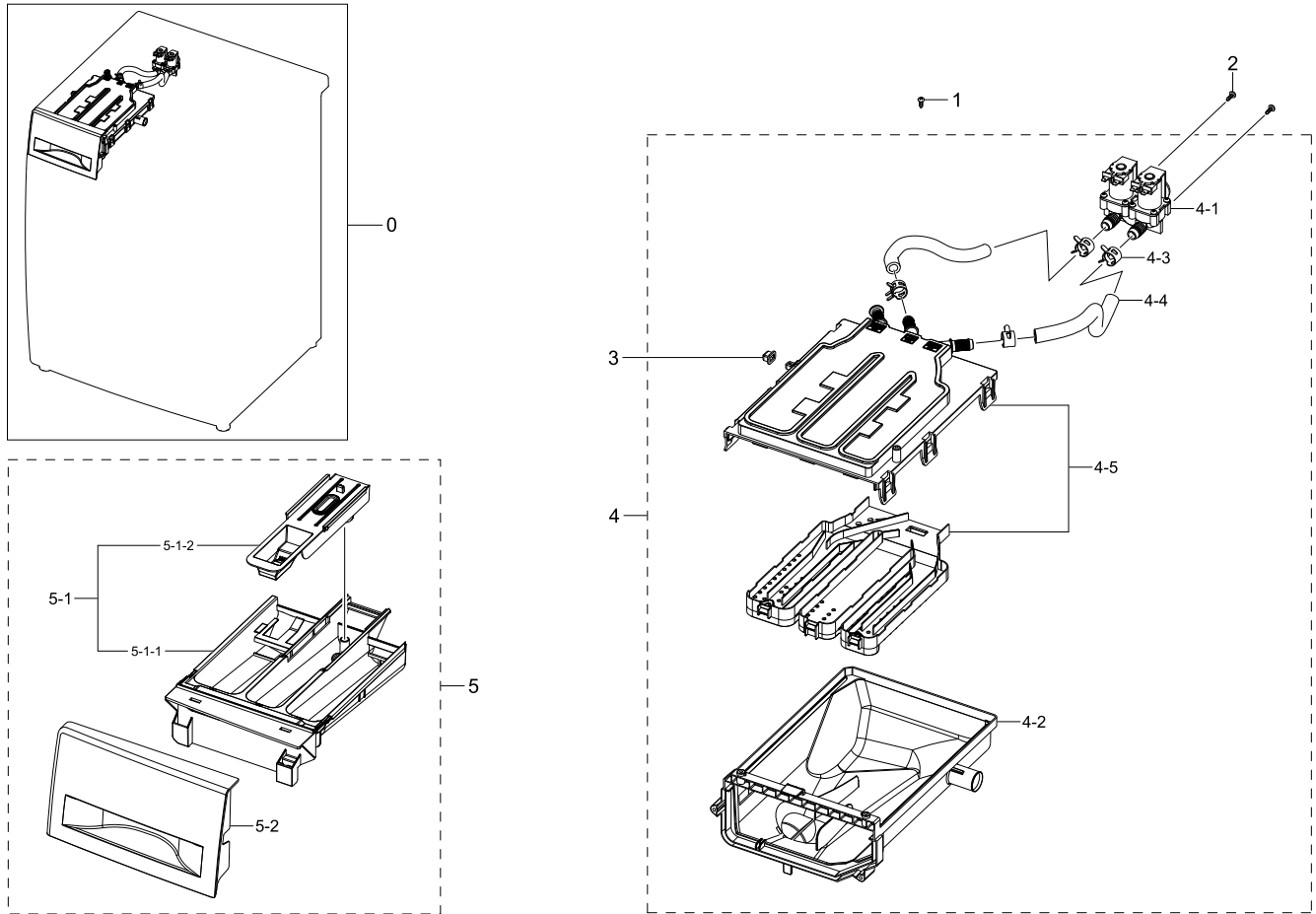


Parts List

No.	Lvl.	Loc.	Material Code	Description & Specification	SNA	Qty.
0	1		DC90-28696Q	ASSY PANEL CONTROL PARTS; WW5000T,WW90TA0	SNA	1
1	2	W0105	6002-000445	SCREW-TAPPING; TH,+,NO,2,M4,L18,PASS,STS4	SNA	2
2	2	WX0441	6002-000520	SCREW-TAPPING; TH,+,2,M4,L12,ZPC(WHT),SWR	SNA	2
3	2		DC64-03312B	KNOB ENCODER; F500E,PMMA,CLEAR TP,PMMA & AB	SA	1
4	2		DC92-01950B	ASSY PCB DISPLAY; FWM_INV WASH,WW5000T_LE	SA	1
5	2	W0478	DC97-22432U	ASSY PANEL CONTROL-MODULE; WW5000T,WW80TA	SA	1
5-1	3	W0897	DC93-00540A	ASSY MODULE; TOUCH SENSOR,F500 IML BEST,"	SA	1
5-2	3	G0431	DC97-17392A	ASSY BUTTON; WF80F50FU4W/EF	SA	1
6	2	WX0412	6002-000213	SCREW-TAPPING; TH,+,1,M4,L12,ZPC(WHT),SWR	SNA	2

7. Assy Drawer Parts

Exploded View



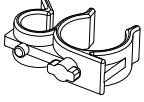
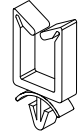
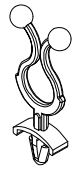

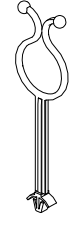
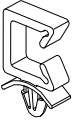


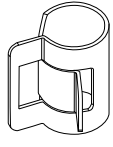
Parts List

No.	Lvl.	Loc.	Material Code	Description & Specification	SNA	Qty.
0	1		DC90-28644S	ASSY DRAWER PARTS; WW5000T,WW80TA046TH/EU	SNA	1
1	2	WX0441	6002-000520	SCREW-TAPPING; TH,+,2,M4,L12,ZPC(WHT),SWR	SNA	13
2	2	F0056	6003-001768	SCREW-TAPTYPE; TH,+,WT,S,M4,L10,ZPC(WHT),	SNA	4
3	2		DC67-00327A	CAP DRAWER HOOK; HEBA-PJT,EPDM,T1.1,BLACK	SA	1
4	2	W0163	DC97-22247D	ASSY HOUSING DRAWER-MODULE; U-PJT (F500),	SA	1
4-1	3		DC33-01010A	VALVE WATER; DC12V,Bracket,mm,#250,1,2,11	SA	1
4-2	3	W0372	DC61-03473A	HOUSING DRAWER-LOW; WF-F500E,PP+TD30%,NAT	SA	1
4-3	3	W0615	DC65-00008A	CLAMPER HOSE; SEW-DR605,SK5,ID14.2/T0.9	SA	4

No.	Lvl.	Loc.	Material Code	Description & Specification	SNA	Qty.
4-4	3	W0151	DC67-00051T	HOSE DRAWER; F500E,EPDM,ID9.0,OD14.5,L230	SA	2
4-5	3	W0497	DC97-17347A	ASSY S.HOUSING DRAWER; F500E,WF80F5E5U4W	SA	1
5	2	W0216	DC97-22416A	ASSY DRAWER-MODULE; WW4,5000T,WW**T4(A)**	SA	1
5-1	3	W0216	DC97-19194A	ASSY DRAWER; F500E,Body Drawer+Cap Rinse	SA	1
5-1-1	4	W0156	DC61-03480A	BODY DRAWER; WF-F500E,PP+TD30%,DA WHITE,W	SA	1
5-1-2	4	W0215	DC67-00452A	CAP RINSE; WF0800NCE,PP+TD30%,MT43,HONEST	SA	1
5-2	3		DC64-02858B	PANEL DRAWER; WF-F500E,ABS,HG-0760GP,DA W	SA	1

8. Small Parts

Exploded View

				
1	2	3	4	5
				
6	7	8	9	

Parts List

No.	Lvl.	Loc.	Material Code	Description & Specification	SNA	Qty.
1	2	W0616	DC61-00133A	CLAMPER HOSE-FIX; P1291,PP,BLACK,HOSE+PLU	SA	3
2	2	M0001	DC61-00553B	CABLE CLAMP; DAWS-3NE,PA66,NTR	SA	1
3	2		6502-000127	CABLE CLAMP; DAWH-18NB,PA66,NTR	SA	1
4	2		DC65-20010A	CABLE CLAMP; DA-9N-1,NYLON66,NTR	SNA	1
5	2	WI0293	DC61-00995C	HOLDER WIRE; HEBA-PJT,PA66,W6,L145,NATURA	SA	1
6	3	M0001	DC61-00553C	CABLE CLAMP; -,PA66,NTR	SNA	1
7	2	WI0295	DC61-60074A	HOLDER WIRE; PA,NATURAL,101F,rectangle	SA	1
8	2	W0623	DC61-40083A	HOLDER WIRE; DAWH-3ND,PA66,NATURAL,NTR(PI	SA	1
9	4	W0615	DC65-00008F	CLAMPER HOSE; F500E,SK5,ID14.2 / T0.9 / W	SA	1