

---

# EXPLODED VIEWS AND PARTS LIST

---

## [MATERIAL CODE STANDARDS]

Material codes and names and their respective naming rules are managed in accordance with the prescribed standards. Please refer to these standards when requesting a material.

### 1. Material Code Type

● : Number

■ : Letter (Alphabet)

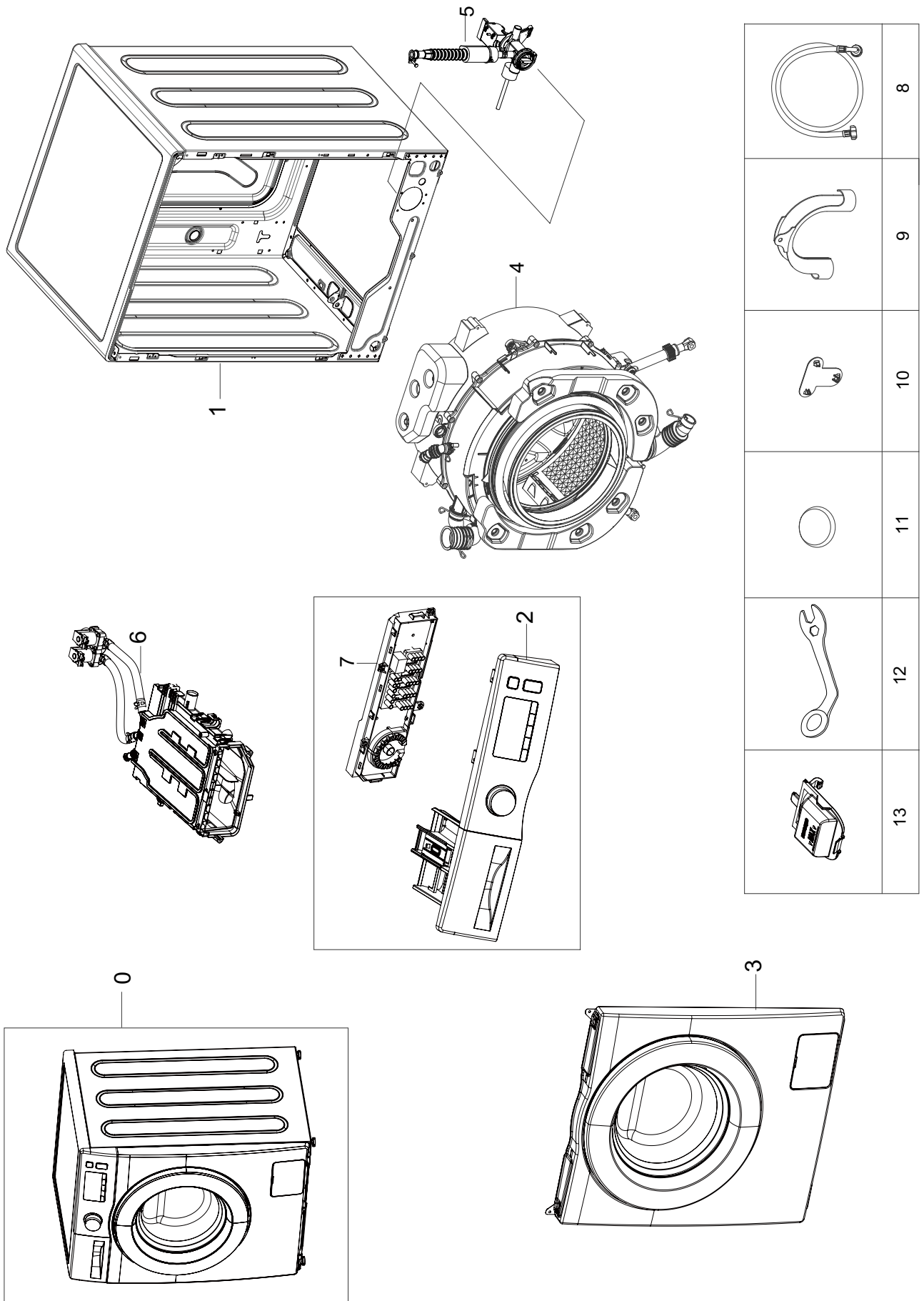
<b>Type 1</b>	●●●●-●●●● ex) 0204-000418 FREON	<b>Enterprise-wide parts</b> Type 1 materials can be used for all Samsung Electronics products. (Most electrical parts belong to this type.)
<b>Type 2</b>	■■●●-●●●●■ ex) DC96-01390A ASSY-CONTROL	<b>Division-wide parts (DC**-Washing machine)</b> Type 2 materials can be used for specific products. (Most instruments and tools belong to this type.)

### 2. Ass'y Materials

All ass'y material codes start with DC9\*.

An ass'y material is created by combining more than two materials. If a requested material cannot be provided, you can request an ass'y material that contains that material.

# 1. MAIN

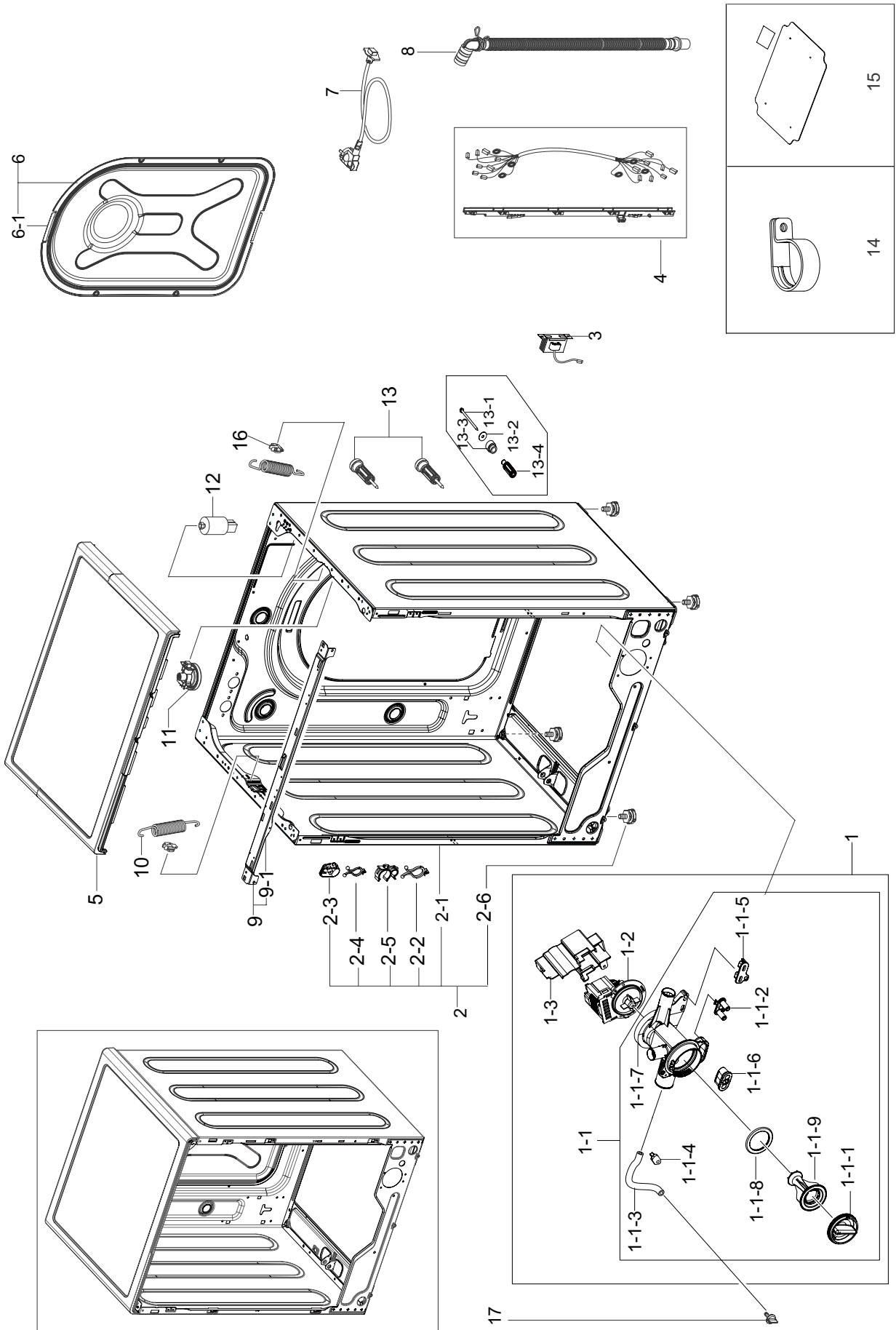


**MODEL CODE: WW70J3283KW/GG**

Service Bom (SA: SERVICE AVAILABLE, SNA: SERVICE NOT AVAILABLE)

Drawing No.	Code No.	Description	Specification	QTY	Un	SA/SNA
0	-	WW70J3283KW/GG	-	1	-	-
1	-	FRAME & COVER PARTS	-	1	-	-
2	-	PANEL CONTROL & DRAWER	-	1	-	-
3	-	FRAME FRONT & DOOR	-	1	-	-
4	DC90-18868A	ASSY TUB&DRUM	WW70J3283KW/FH	1	PC	SNA
5	DC97-15379G	ASSY PUMP DRAIN	WW60J3283LW/MF,NON BUBBL	1	PC	SNA
6	DC97-18572A	ASSY HOUSING DRAWER	WW3~6000,7kg	1	PC	SNA
7	DC92-01783G	ASSY KIT	FWM_UNI,WW3000 UNI KIT,AEGIS ST	1	PC	SNA
8	DC97-16921A	ASSY HOSE WATER	WA5700J	1	PC	SC
9	DC62-10278A	HOSE HANGER	PUMP MODEL,PP,BLACK	1	PC	SA
10	DC67-00208B	CAP-FIXER	WF8602NHS/XFA,PP,T1.5,P535-H,B	1	PC	SA
11	DC67-00251B	CAP-FIXER	WF8602NHS/XFA,PP,T1.8,OD34.7,B	4	PC	SA
12	DC60-00104A	FASTENER-BOLT	ALL,CR,OD36,2.5,L113.5	1	PC	SA
13	DC61-03510A	GUIDE LIQUID	WF-F500E,PP,MT43,Honesty BI	1	PC	SA

## 2. FRAME & COVER PARTS



**MODEL CODE: WW70J3283KW/GG**

Service Bom (SA: SERVICE AVAILABLE, SNA: SERVICE NOT AVAILABLE)

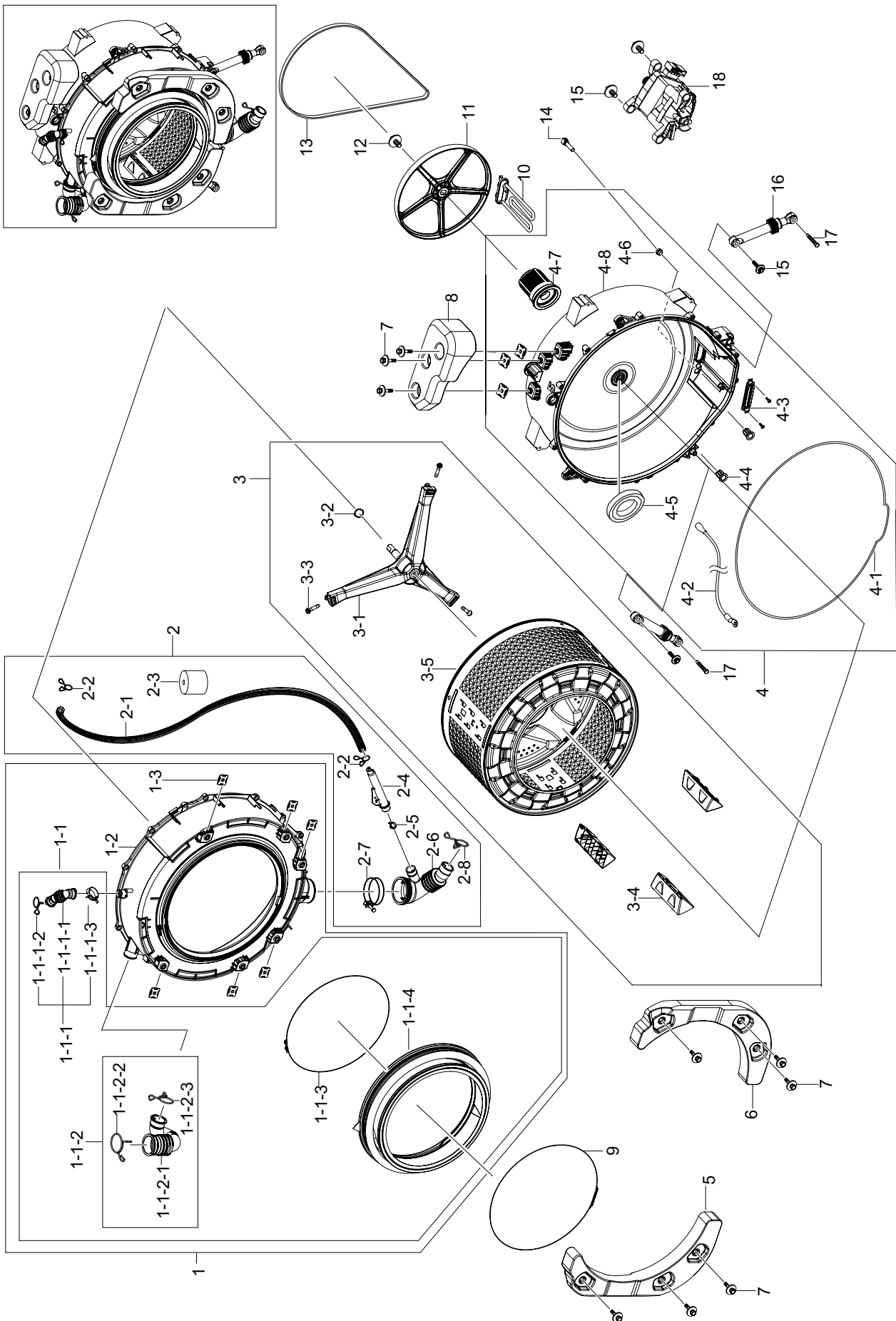
Drawing No.	Code No.	Description	Specification	QTY	Un	SA/SNA
1	DC97-15379G	ASSY PUMP DRAIN	WW60J3283LW/MF,NON BUBBL	1	PC	SNA
1-1	DC97-15789B	ASSY CASE FILTER	WW300J,WW60J3283LW/MF	1	PC	SA
1-1-1	DC64-02783A	HANDLE FILTER	WF350ANW/XAA,PP,T2.3,W63.8	1	PC	SNA
1-1-2	DC61-02221A	GUIDE CUSHION	AEGIS,FRPP,W16.8,L40.8,NTR	1	PC	SNA
1-1-3	DC67-00244M	HOSE DRAIN	AEGIS,EPDM,ID6,OD10,T2.0,L270	1	PC	SNA
1-1-4	DC63-00955A	PACKING-PUMP	AEGIS,EPDM,W26.3,L13.2,H14.	1	PC	SA
1-1-5	DC63-00956A	CUSHION PUMP-LEFT	AEGIS,BUTYL,T2.5,W42,L	1	PC	SNA
1-1-6	DC69-01232A	PACKING-PUMP	AEGIS,EPDM,-,-,W45,L22,H22	1	PC	SA
1-1-7	DC61-02173A	CASE PUMP	AEGIS,PP,T3.0,W167,L108,WHT,-	1	PC	SA
1-1-8	DC73-00022A	SEAL PACKING	SEW-HVR149ATA,EPDM,BLK,-	1	PC	SNA
1-1-9	DC63-00865B	FILTER PUMP	AEGIS,PP,NTR,TB53	1	PC	SNA
1-2	DC31-00030H	PUMP-DRAIN	220V-240V,50Hz,30W,18L/min	2	PC	SA
1-3	DC63-01610A	COVER PUMP	WF8500NHW-XSC,PP,T2.1,V0,WHIT	2	PC	SA
2	DC97-18338S	ASSY PAINT FRAME	WW3000~6000,WW70J3283KW	1	PC	SA
2-1	DC97-18708M	ASSY FRAME	WW3000~6000,WW70J3283KW/EO,DA	1	PC	SNA
2-2	DE65-20026A	HOLDER WIRE	PA,NTR,LOCK-TWIST/STAND/Y260	1	PC	SNA
2-3	DC61-01901A	GUIDE FRAME FRONT	ALL MODEL,POM,T5.5,K30	2	PC	SNA
2-4	DC61-40081A	HOLDER WIRE	DAWH-2NC,PA66,-,NATURAL,-	7	PC	SA
2-5	DC61-00133A	CLAMPER HOSE-FIX	P1291,PP,-,HOSE+PLUG,BJ	2	PC	SNA
2-6	DC97-00920H	ASSY LEG	-,ALL EXCEPT AUSTRALI MODEL,L33	4	PC	SA
3	DC27-00008A	COIL HARMONIC	730uH,33*40*18	1	PC	SNA
4	DC93-00530C	ASSY WIRE HARNESS-MAIN	DRUM-M,WW70J3483K	1	PC	SA
5	DC97-18770D	ASSY COVER TOP	WW3000~6000,AEGIS 7KG PLA	1	PC	SA
6	DC97-17948B	ASSY COVER BACK	AEGIS	1	PC	SA
6-1	DC63-00862C	COVER BACK	WF8600NMW,GI-SGCC,T0.35,W352,	1	PC	SA
7	DC96-00146A	ASSY POWER CORD	VDE,EU3F,E.U,250V/16A,H0	1	PC	SA
8	DC97-14291D	ASSY HOSE DRAIN(O)	Aegis-PJT,SSEC,LIGHT	1	PC	SA
9	DC97-18810A	ASSY FRAME PLATE-UP	WW5000J,WW70J4263KW	1	PC	SNA
9-1	DC61-03969B	FRAME PLATE-UP	GI-SGCC,T1.2,WW5000	1	PC	SNA
10	DC61-02146A	SPRING ETC-HANGER	AEGIS-PJT,HSWR-SWRH,CD	2	PC	SA
11	DC96-01703G	SENSOR PRESSURE	Air,5,-,400mmH20,-	1	PC	SA
12	DC29-00005A	FILTER-EMI	AC 250V,15A,38*81*PI38,CAN,VD	1	PC	SA
13	DC97-14794A	ASSY FIXER TUB	HEBA-PJT/7kg,WF8702LS	4	PC	SA
13-1	6011-001669	BOLT-HEX	M7,L160,ZPC2,SCM435,TAPPING	4	PC	SNA
13-2	DC60-60044B	WASHER PLAIN	SBC,ID8.4/OD30,T2.0	4	PC	SA
13-3	DC73-00024A	FIXER RUBBER	Aegis-PJT,EPDM,BLACK	4	PC	SNA
13-4	DC61-02028A	FIXER TUB	FRPP,NTR,7kg	4	PC	SNA

---

**MODEL CODE: WW70J3283KW/GG**Service Bom (**SA**: SERVICE AVAILABLE, **SNA**: SERVICE NOT AVAILABLE)

Drawing No.	Code No.	Description	Specification	QTY	Un	SA/SNA
14	DC61-00118A	CLAMP-CABLE	P1291,PA66,NATURAL,NC0001	1	PC	SA
15	DC64-03268A	SHUTTER	PP,5V-A,FC2305,WHITE	1	PC	SNA
16	DC61-02140A	GUIDE SPRING	WF8500NMW,POM,T3.5,W24,L40.	2	PC	SNA
17	DC61-10673C	CAP DRAIN	WF1802XEY/XSC,FRPP,BLACK	1	PC	SA
18	6922-000041	BAND	PP,T0.9,W17,L2000M,TRP	9.7	M	SNA

### 3. ASS'Y TUB DRUM



**MODEL CODE: WW70J3283KW/GG**

Service Bom (SA: SERVICE AVAILABLE, SNA: SERVICE NOT AVAILABLE)

Drawing No.	Code No.	Description	Specification	QTY	Un	SA/SNA
1	DC97-16444S	ASSY SEMI TUB FRONT	WW3000~5000J,7kg,140	1	PC	SA
1-1	DC97-16447J	ASSY TUB FRONT	WW3000~5000J,7KG,NO BUBBL	1	PC	SNA
1-1-1	DC97-18866A	ASSY HOSE AIR	WW4000J,WW60J4213JW/UA	1	PC	SNA
1-1-1-1	DC67-00647A	HOSE AIR	WF906U4SAWD,EPDM,ID19.6,T1.7,50	1	PC	SA
1-1-1-2	DC65-60118J	CLIP RING	HSWR-SWRH,-,PI2.0/ID23	1	PC	SNA
1-1-1-3	DC61-00158A	CLAMPER HOSE	SW65ASP,SK5,ID23,T0.8,-	1	PC	SNA
1-1-2	DC97-18722A	ASSY HOSE DRAWER	WW5000J,WW70J5210GW/UA	1	PC	SA
1-1-2-1	DC67-00474A	HOSE-DRAWER TUB	WW3000,EPDM,T2.0,BLACK	1	PC	SA
1-1-2-2	DC72-00001G	CLIP RING	HEBA-PJT,HSWR-SWRH,T3.0,ID49.5	1	PC	SNA
1-1-2-3	DC65-60118R	CLIP RING	AEGIS-PJT,HSWR-SWRH,T3.0,ID37	1	PC	SA
1-1-3	DC91-12077G	ASSY CLAMP DIAPHRAGM	AEGIS,WF8500NHW/YLP	1	PC	SNA
1-1-4	DC64-03198A	DOOR DIAPHRAGM	WW6,5,4,3000J,EPDM,-,-,-,	1	PC	SA
1-2	DC61-02085D	TUB FRONT	AEGIS-PJT,FRPP,OD549,NATURAL,G	1	PC	SNA
1-3	DC61-40348B	BRACKET NUT	SBHG-R,T3,NO-PAINT	9	PC	SNA
2	DC97-14637B	ASSY HOSE PRESSURE	No PBA,No Hook	1	PC	SA
2-1	DC67-00230D	HOSE WATER	AEGIS-PJT,TPE,ID4.5,OD8,T1.75	1	PC	SNA
2-2	DC61-70029C	CLIP RING	SEW-HW125,HSWR-SWRH,WHITE	2	PC	SNA
2-3	DC63-10003H	ABSORBER SPONGE	-,PUR FOAM,H35,HB,BLACK	1	PC	SNA
2-4	DC67-00297A	HOSE JOINT AIR	HEBA&Aegis-PJT,PP,L167.3,	1	PC	SNA
2-5	DC61-00219B	CLAMPER HOSE	SK5,WSLS1100A,ID24 OD26.4	1	PC	SNA
2-6	DC67-00335A	HOSE FILTER TUB	AEGIS-PJT,EPDM,ID64.5	1	PC	SA
2-7	DC65-00021A	CLAMPER HOSE-JOINT	HEBA PJT,HSWR-SWRH,ID	1	PC	SNA
2-8	DC72-00001H	CLIP RING	HEBA-PJT,HSWR-SWRH,WHITE	1	PC	SNA
3	DC97-15964B	ASSY DRUM	J1253S/HAC	1	PC	SA
3-1	DC97-15963B	ASSY FLANGE SHAFT	WF0702NBE	1	PC	SA
3-2	6031-001632	WASHER-WAVE	SK5,ID30,OD33.8,T0.6,ZPC	1	PC	SNA
3-3	DC60-40137A	BOLT-HEX	MARS-PJT,STS430,M8,P1.25,L30,HE	3	PC	SA
3-4	DC66-00523A	DRUM LIFTER	AEGIS-PJT,PP,T2.5,L160.8,TI4	3	PC	SA
3-5	DC66-00522A	DRUM WRAPPER	AEGIS-PJT/6.0kg,STAINLESS-S	1	PC	SNA
4	DC97-15236E	ASSY SEMI TUB BACK	AEGIS3 BUBBLE,WF0702W	1	PC	SA
4-1	DC62-40183A	PACKING-TUB	SWF-P12,Rubber,EPDM,BLK	1	PC	SA
4-2	DC93-00015A	ASSY WIRE EARTH	AEGIS,5KG,230V/50HZ,EART	1	PC	SA
4-3	DC61-02874A	BRACKET HEATER	WD0704CQR,STAINLESS-STS43	1	PC	SA
4-4	DC61-01097A	BUSH MOTOR	PA,-,-,PA66(2110R)	1	PC	SNA
4-5	DC62-00008A	SEAL OIL	NBR,BLACK,-,NBU	1	PC	SA
4-6	DC69-00824A	PACKING-THERMISTOR	GW-PJT,EPDM,-,-,W17,H	1	PC	SNA
4-7	DC97-15190A	ASSY HOUSING BEARING	AEGIS-PJT,1200RPM/6	1	PC	SA
4-8	DC61-02087A	TUB BACK	AEGIS 6kg,FRPP,NTR,15%FRPP	1	PC	SNA

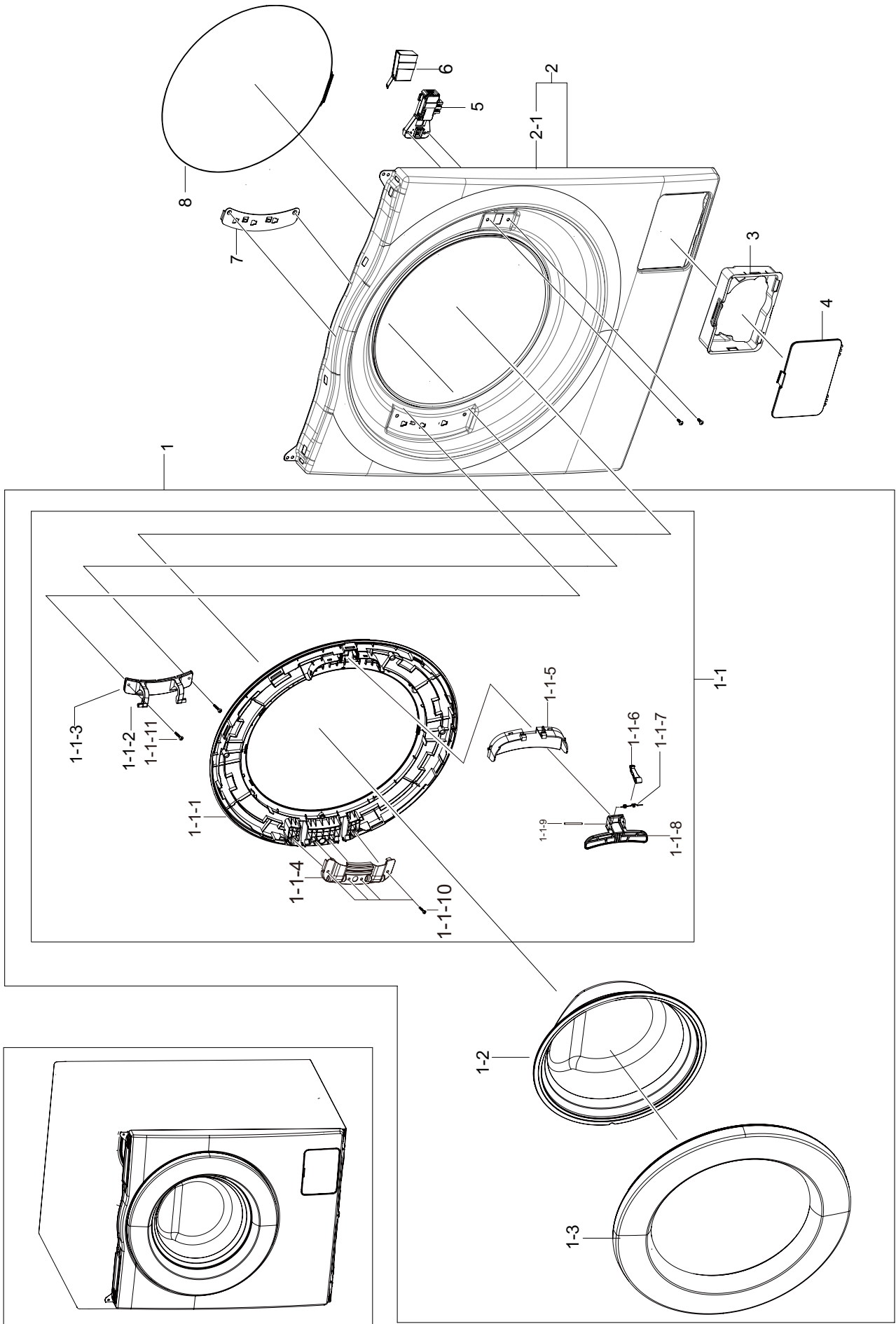


---

**MODEL CODE: WW70J3283KW/GG**Service Bom (**SA**: SERVICE AVAILABLE, **SNA**: SERVICE NOT AVAILABLE)

Drawing No.	Code No.	Description	Specification	QTY	Un	SA/SNA
5	DC67-00538A	WEIGHT-BALANCER(F/L)	AEGIS-PJT,CONCRETE,	1	PC	SA
6	DC67-00539A	WEIGHT-BALANCER(F/R)	AEGIS-PJT,CONCRETE,	1	PC	SA
7	DC97-02412P	ASSY BOLT	ALL MODEL(WEIGHT-BALANCER)	9	PC	SA
8	DC67-00483A	WEIGHT BALANCER-UP	AEGIS-PJT,CONCRETE,15	1	PC	SA
9	DC91-12078E	ASSY WIRE DIAPHRAGM	AEGIS,WF8500NHW/YLP,	1	PC	SA
10	DC47-00033B	HEATER WASH	AC230V,2000W,SUS316L,728mm,N	1	PC	SA
11	DC66-00500A	PULLEY MOTOR	HEBA PJT,ALDC,OD296.8,1400R	1	PC	SA
12	6011-001498	BOLT-HEX	M10,L27,ZPC(YEL),SWRCH10AK,WS/N	1	PC	SA
13	6602-001497	BELT-TIMING GEAR	RUBBER(GATES),T3.2,1270	1	PC	SA
14	DC32-00010C	THERMISTOR	WASHER,-10~100,5,5,3.243k ± 2	1	PC	SA
15	DC97-14263A	ASSY BOLT	MOTOR/BOLT(M8)+WASHER(OD27.5),	4	PC	SA
16	DC66-00531A	DAMPER SHOCK	AEGIS-PJT,SBHG T1.0~2.0,70N	2	PC	SC
17	DC60-40144A	BOLT-HEX	SM10C,L35,ZPC2(YEL),M10,ZPC2(YE	2	PC	SA
18	DC31-00123F	MOTOR UNIVERSIAL DRIVE	Welling(UML 5204.	1	PC	SA

# 4. ASS'Y FRAME FRONT

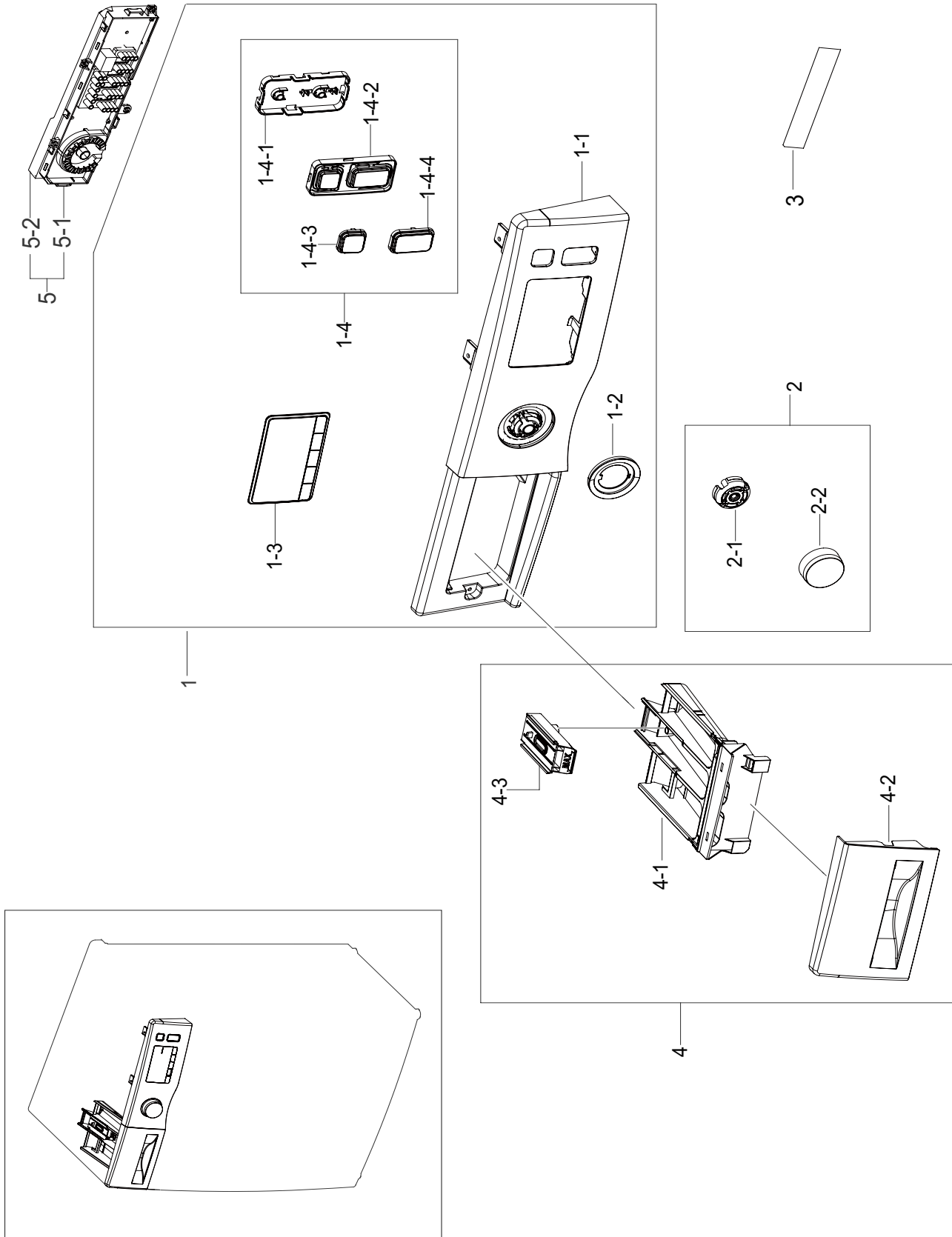


**MODEL CODE: WW70J3283KW/GG**

Service Bom (SA: SERVICE AVAILABLE, SNA: SERVICE NOT AVAILABLE)

Drawing No.	Code No.	Description	Specification	QTY	Un	SA/SNA
1	DC97-18711B	ASSY DOOR	WW3000J SLIM	1	PC	SNA
1-1	DC97-18661B	ASSY HOLDER GLASS	WW3000J SLIM	1	PC	SA
1-1-1	DC61-03971B	HOLDER GLASS	WW3000J,PP,DARK HOLDER GRAY	1	PC	SNA
1-1-2	DC61-00891A	GUIDE HINGE	HAUZEN(DOM),POM,-,-,-,WHT,HI	2	PC	SA
1-1-3	DC61-03972A	HINGE DOOR	ALDC,T3.5,Metalic silver,-	1	PC	SA
1-1-4	DC61-01915D	BRACKET HOLDER	GI-SGCC,T1.2,-	1	PC	SNA
1-1-5	DC63-01541A	COVER HANDLE	WF-F500E,ABS,-,-,DA WHITE,H	1	PC	SA
1-1-6	DC66-00344A	LEVER DOOR	WF60F4E1W2W,ZNDC,NATURAL,F400	1	PC	SNA
1-1-7	DC61-02027A	SPRING ETC LEVER	STAINLESS-ST304,CD1.2,	1	PC	SNA
1-1-8	DC64-02852A	HANDLE DOOR	WF-F500E,ABS,T2.0,HG-0760GP,	1	PC	SA
1-1-9	DC64-00564A	HANDLE PIN	WF602U2BKWQ/SC,STS304,NATURE	1	PC	SA
1-1-10	6002-000445	SCREW-TAPPING	TH,+ ,NO,2,M4,L18,PASS,STS4	4	PC	SNA
1-1-11	6009-001522	SCREW-HEX	HWH,+ ,M5,L16,PASS,STS430,FP,SE	2	PC	SA
1-2	DC64-01790A	DOOR GLASS	AEGIS, GLASS,T5.0,W353.0	1	PC	SA
1-3	DC63-01833B	COVER DOOR	WW3000J,ABS,HB,DA WHITE,HG-07	1	PC	SA
2	DC97-18717A	ASSY FRAME FRONT	WW5000,WW70J5210GW/UA,D	1	PC	SA
2-1	DC61-03958D	FRAME FRONT	EGI-SECD,DA WHITE,T0.8,DC06+	1	PC	SNA
3	DC61-03967B	GUIDE FILTER	PP,T2.0,TB53,NEAT WHITE	1	PC	SA
4	DC63-00920A	COVER-FILTER	WF8500NHW,ABS,T2.5,-,DA WHI	1	PC	SA
5	DC64-01538A	SWITCH DOOR LOCK	AC250V,16,BIMETAL	1	PC	SA
6	DC63-00967A	COVER DOOR SWITCH	AEGIS-PJT/ WF8500NHW,P	1	PC	SA
7	DC61-01919A	BRACKET HINGE	WF8804DP,GI-SGCC,T1.4,L161	1	PC	SNA
8	DC91-12078E	ASSY WIRE DIAPHRAGM	AEGIS,WF8500NHW/YLP,	1	PC	SA

## 5. PANEL-CONTROL & DRAWER

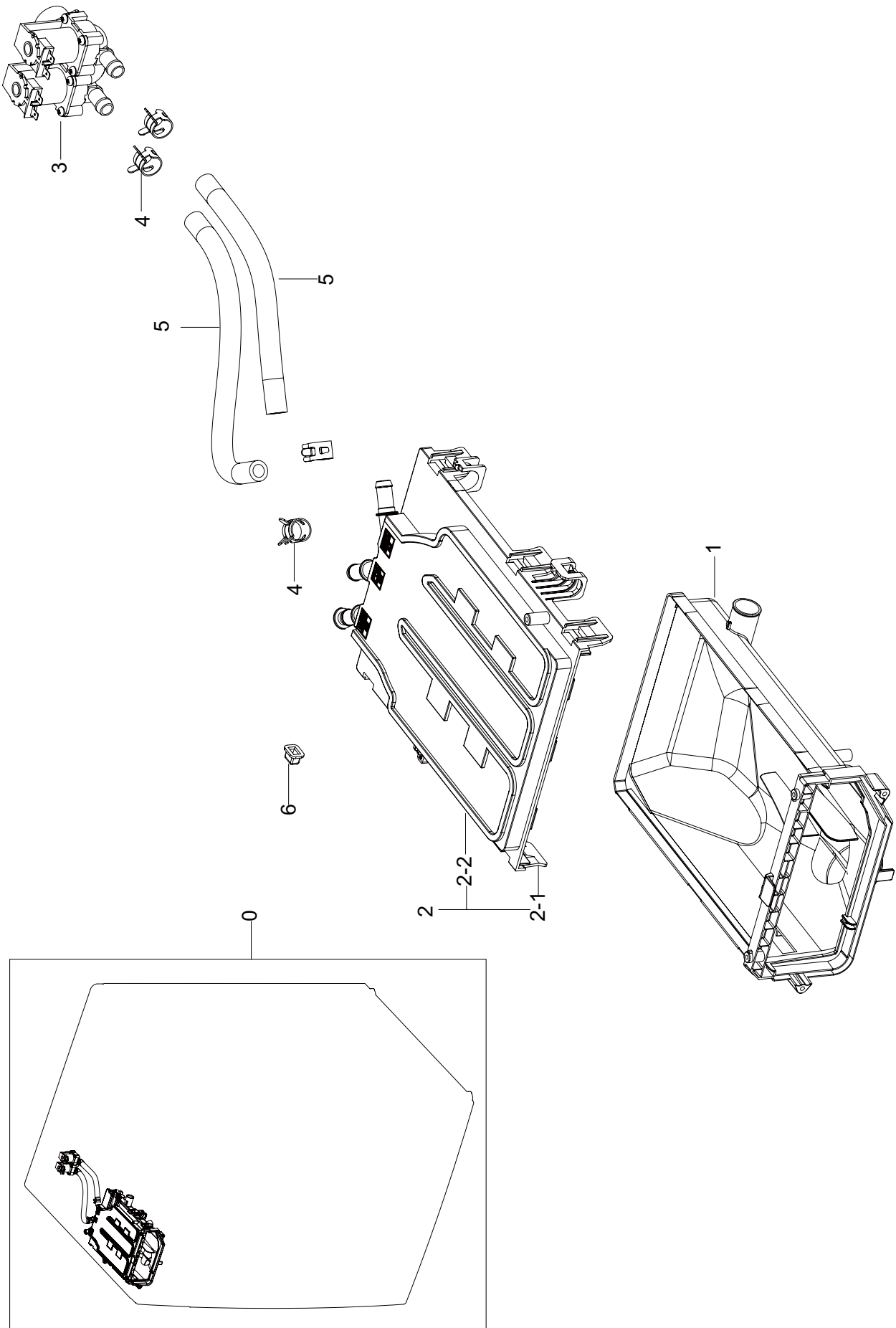


**MODEL CODE: WW70J3283KW/GG**

Service Bom (SA: SERVICE AVAILABLE, SNA: SERVICE NOT AVAILABLE)

Drawing No.	Code No.	Description	Specification	QTY	Un	SA/SNA
1	DC97-18581P	ASSY PANEL CONTROL	WW70J3283KW/EC,Spanis	1	PC	SA
1-1	DC64-02853A	PANEL CONTROL	F500E,ABS,-,HG-0760GP,DA W	1	PC	SNA
1-2	DC64-02856B	WINDOW ENCODER	ABS+PMMA,HB,TF-0930,GRAY	1	PC	SNA
1-3	DC64-03274P	WINDOW PANEL	WW70J3283KW/EC,PMMA,CLEAR T	1	PC	SNA
1-4	DC97-17392A	ASSY BUTTON	WF80F50FU4W/EF	1	PC	SNA
1-4-1	DC63-01543A	COVER-BUTTON(L)	F500E,ABS,T2.0,-,DA WHIT	1	PC	SNA
1-4-2	DC64-02920A	BUTTON PUSH-POWER	F500E,ABS,-,DA WHITE,W	1	PC	SNA
1-4-3	DC64-02921A	DECORATION BUTTON-POWER	F500E,PMMA,-,C	1	PC	SNA
1-4-4	DC64-02922A	DECORATION BUTTON-START	F500E,PMMA,-,C	1	PC	SNA
2	DC97-17318B	ASSY KNOB ENCODER	WF80F50FU4W/EF	1	PC	SA
2-1	DC64-02863A	KNOB ENCODER	F500E,ABS,HB,NEAT WHITE,WT0	1	PC	SNA
2-2	DC64-02864B	DECORATION ENCODER	F500E,ABS+PMMA,-,DA	1	PC	SNA
3	DC92-01785A	ASSY MODULE	TOUCH SENSOR,WW4/3000J,5KEY	1	PC	SA
4	DC97-17312A	ASSY DRAWER	F400E,WF60F50KW2W,PP,N	1	PC	SNA
4-1	DC61-03499A	BODY DRAWER	WF-F400E,PP,DA WHITE,WT0035,	1	PC	SA
4-2	DC64-02858M	PANEL DRAWER	ABS,HB,HG0760GP,DA WHITE,WT	1	PC	SA
4-3	DC67-00669B	CAP RINSE	WF-F500E,PP,T2.0,HB,MT43,Hones	1	PC	SNA
5	DC92-01783G	ASSY KIT	FWM_UNI,WW3000 UNI KIT,AEGIS ST	1	PC	SNA
5-1	DC92-01769C	ASSY PCB MAIN	FWM_UNI,6/5/4/3000 UNIVERS	1	PC	SA
5-2	DC92-01784S	ASSY PCB DISPLAY	FWM_UNI,WW3000 UNI SUB,	1	PC	SA

## 6. ASS'Y HOUSING DRAWER



---

**MODEL CODE: WW70J3283KW/GG**Service Bom (**SA**: SERVICE AVAILABLE, **SNA**: SERVICE NOT AVAILABLE)

Drawing No.	Code No.	Description	Specification	QTY	Un	SA/SNA
0	DC97-18572A	ASSY HOUSING DRAWER	WW3~6000,7kg	1	PC	SNA
1	DC61-02967A	HOUSING-DRAWER(L)	WW3000,PP,T2.0,NATURAL	1	PC	SA
2	DC97-17346A	ASSY S.HOUSING DRAWER	F400E,WF60F50KW2W	1	PC	SA
2-1	DC61-03501A	HOUSING DRAWER-MIDDLE	WF-F400E,PP,NATURA	1	PC	SNA
2-2	DC61-03502A	HOUSING DRAWER-UP	WF-F400E,PP,NATURAL,F4	1	PC	SA
3	DC62-00024M	VALVE WATER	AC220-240V,Bracket,1in 2out,	1	PC	SC
4	DC65-00008B	CLAMPER HOSE	SSEC-GE,SK5,-,Dacromet,T1.0	4	PC	SNA
5	DC67-00051F	HOSE DRAWER	WF8502NHW,EPDM,ID9.0,OD14.5,	0.56	M	SNA
6	DC67-00327A	CAP DRAWER HOOK	HEBA-PJT,EPDM,T1.1,W13.9	1	PC	SNA

## 7. SCREWS LIST

### MODEL CODE: WW70J3283KW/GG

Service Bom (SA: SERVICE AVAILABLE, SNA: SERVICE NOT AVAILABLE)

NO.	Code No.	Description	Specification	QTY	Un	SA/ SNA
1	6002-000213	SCREW-TAPPING	TH,+,2,M4,L12,ZPC(WHT),SWR	1	PC	SNA
2	6002-000213	SCREW-TAPPING	TH,+,2,M4,L12,ZPC(WHT),SWR	1	PC	SNA
3	6002-001006	SCREW-TAPPING	TH,+,-,2S,M4,L12,PASS,STS4	2	PC	SNA
4	6003-001768	SCREW-TAPTYPE	TH,+,WT,S,M4,L10,ZPC(WHT),	1	PC	SNA
5	6002-000213	SCREW-TAPPING	TH,+,2,M4,L12,ZPC(WHT),SWR	4	PC	SNA
6	6003-001768	SCREW-TAPTYPE	TH,+,WT,S,M4,L10,ZPC(WHT),	2	PC	SNA
7	6006-001174	SCREW-TAPPING	TH,+,WT,2S,M4,L12,ZPC(WHT)	5	PC	SNA
8	DC97-15633A	ASSY SCREW	TH,ZPC	2	PC	SNA
9	6002-000632	SCREW-TAPPING	PH,+,-,2S,M4,L16,ZPC(WHT),	2	PC	SNA
10	6002-001327	SCREW-TAPPING	PWH,+,1,M4,L12,ZPC(WHT),SW	4	PC	SNA
11	6006-001174	SCREW-TAPPING	TH,+,WT,2S,M4,L12,ZPC(WHT)	2	PC	SNA
12	DE60-10080A	SCREW-TAPPING	PWH,+,-,2S,M5,L9,-,SWRCH18	2	PC	SNA
13	6002-000213	SCREW-TAPPING	TH,+,2,M4,L12,ZPC(WHT),SWR	1	PC	SNA
14	6002-000445	SCREW-TAPPING	TH,+,NO,2,M4,L18,PASS,STS4	4	PC	SNA
15	6002-001327	SCREW-TAPPING	PWH,+,1,M4,L12,ZPC(WHT),SW	2	PC	SNA
16	6003-000226	SCREW-TAPTYPE	TH,+,-,S,M4,L8,ZPC(WHT),SW	2	PC	SNA
17	6006-001174	SCREW-TAPPING	TH,+,WT,2S,M4,L12,ZPC(WHT)	5	PC	SNA
18	6009-001343	SCREW-SPECIAL	PH,TORX,M4,L12,ZPC(WHT),SW	1	PC	SNA
19	6002-000440	SCREW-TAPPING	PWH,+,2,M3,L8,ZPC(BLK),SWR	2	PC	SNA
20	6002-000440	SCREW-TAPPING	PWH,+,2,M3,L8,ZPC(BLK),SWR	1	PC	SNA
21	6002-000440	SCREW-TAPPING	PWH,+,2,M3,L8,ZPC(BLK),SWR	1	PC	SNA
22	6002-000239	SCREW-TAPPING	TH,+,NO,2S,M4,L8,ZPC(WHT),	2	PC	SNA
23	6002-001436	SCREW-TAPPING	PH,+,2,M4,L18,ZPC(WHT),SWR	3	PC	SNA
24	6002-000213	SCREW-TAPPING	TH,+,2,M4,L12,ZPC(WHT),SWR	2	PC	SNA
25	6002-001554	SCREW-TAPPING	BH,+,No,1,M4,L12,STS430,HE	2	PC	SNA
26	6009-001522	SCREW-HEX	HWH,+,M5,L16,PASS,STS430,FP,SE	2	PC	SA
27	6002-000630	SCREW-TAPPING	PH,+,NO,2S,M3,L8,ZPC(WHT),	2	PC	SNA
28	6002-001554	SCREW-TAPPING	BH,+,No,1,M4,L12,STS430,HE	3	PC	SNA
29	6002-000445	SCREW-TAPPING	TH,+,NO,2,M4,L18,PASS,STS4	4	PC	SNA