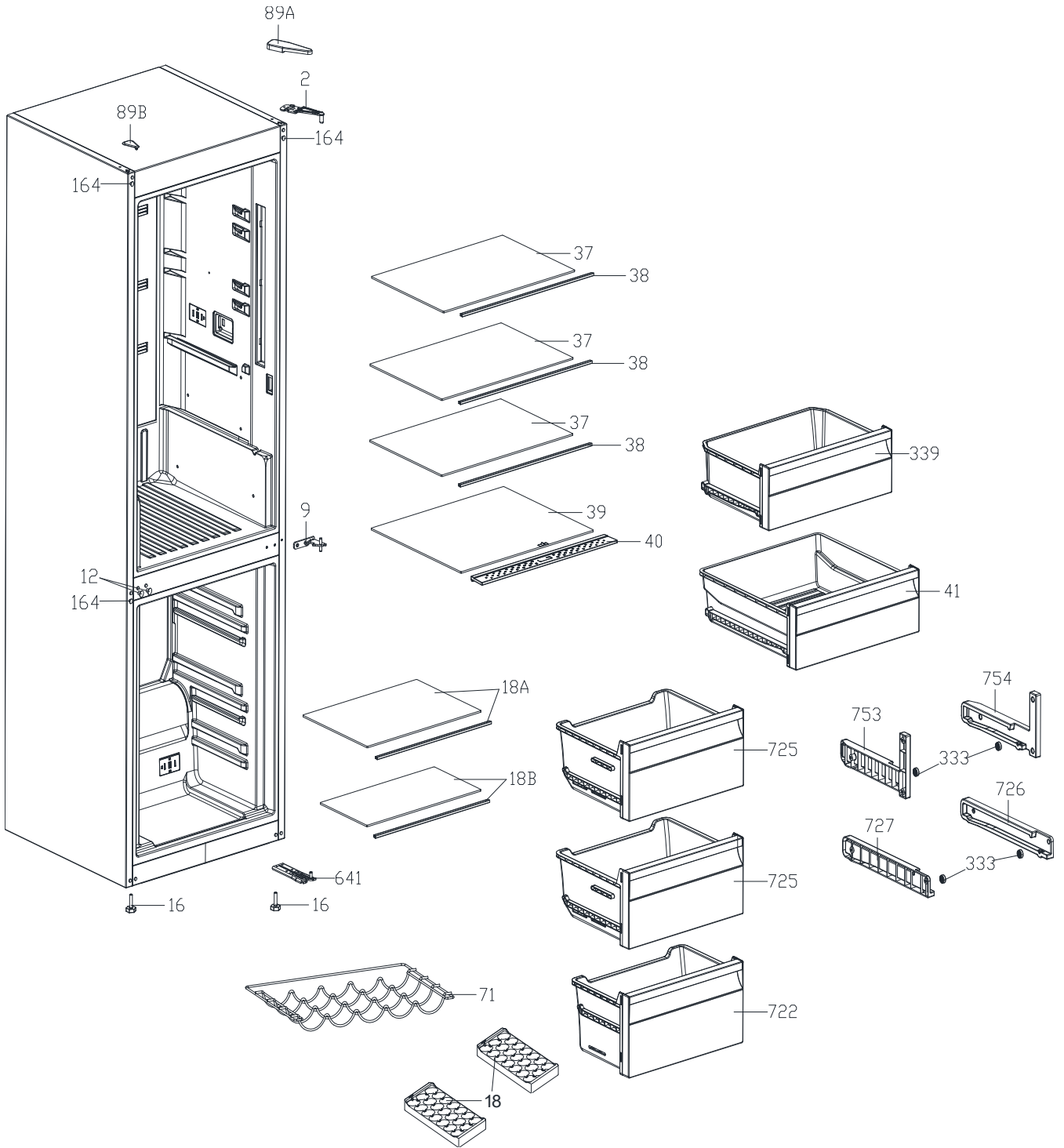
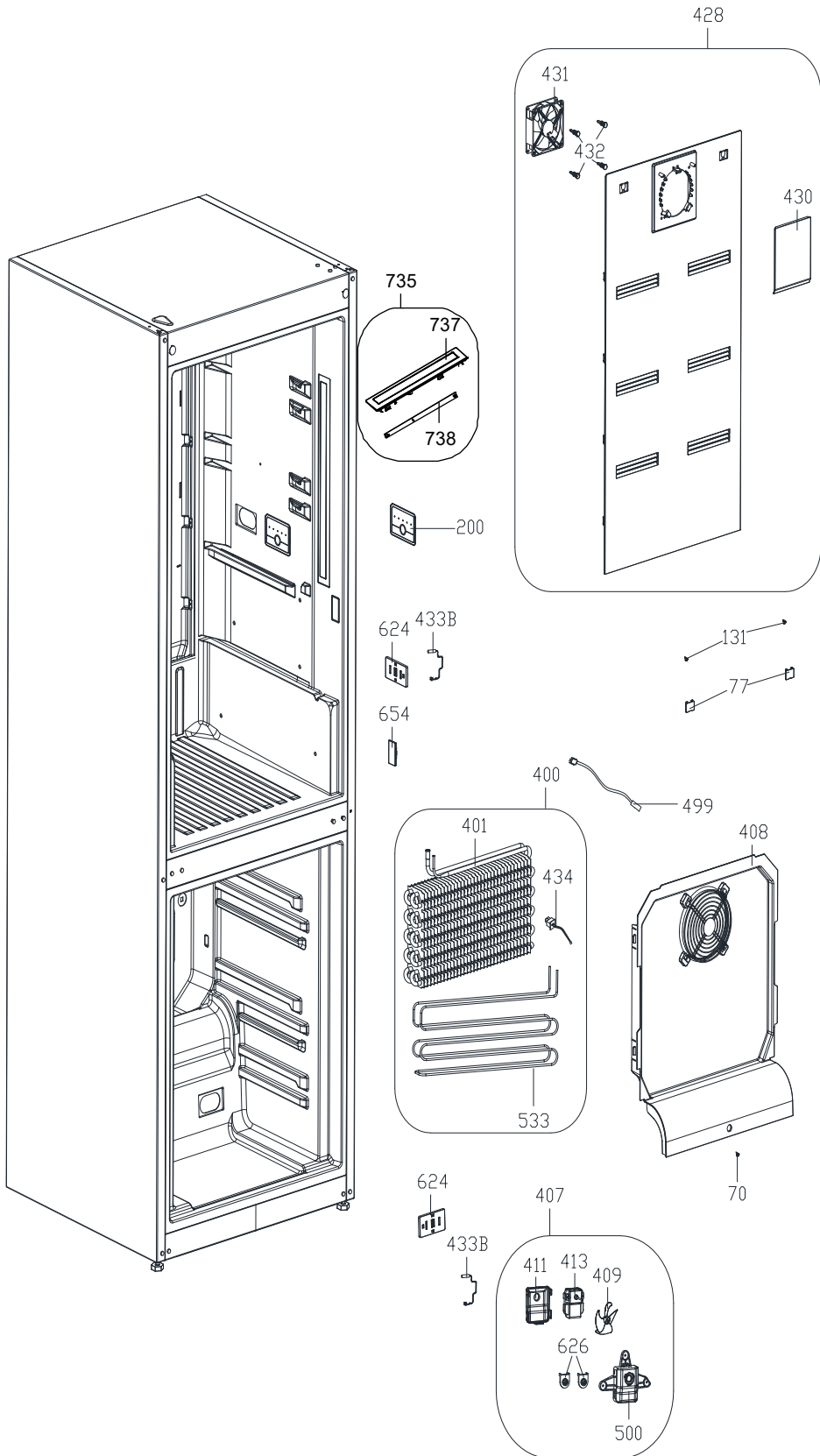


# INTERIOR PARTS



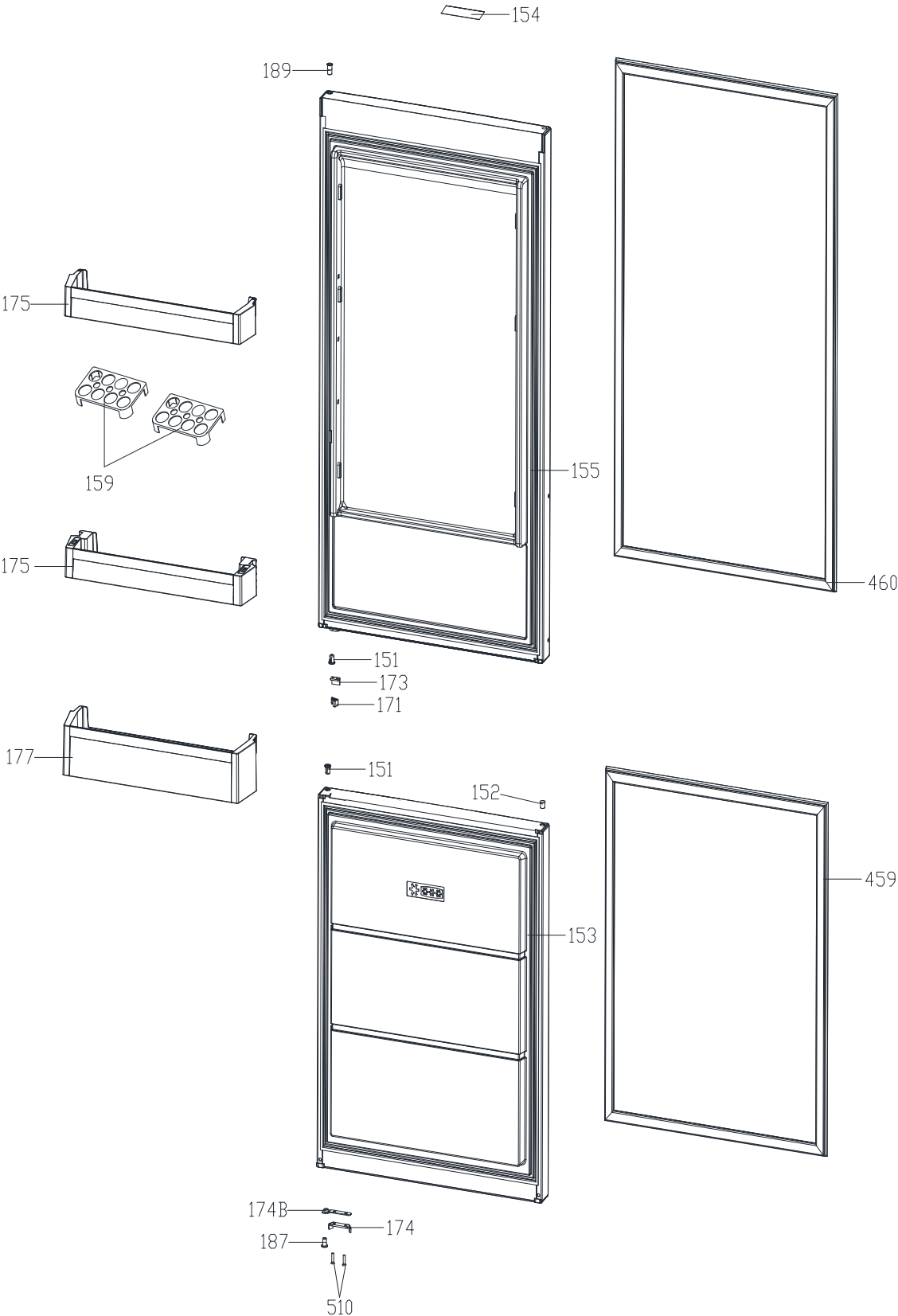
| No  | Part name                 | pcs | SVC | SAMSUNG Code |             |
|-----|---------------------------|-----|-----|--------------|-------------|
|     |                           |     |     | RB3VTS154SA  | RB3VTS154WW |
| 2   | A/S-TOP HINGE             | 1   | SA  | DA81-06986A  | DA81-06986A |
| 9   | A/S-HINGE MIDDLE          | 1   | SA  | DA81-06987A  | DA81-06987A |
| 12  | A/S-MIDDLE HINGE SREW CAP | 2   | SA  | DA81-07224A  | DA81-06805A |
| 16  | A/S-ADJUSTABLE FOOT       | 2   | SA  | DA81-06988A  | DA81-06988A |
| 18  | A/S-ICE TRAY              | 2   | SA  | DA81-06989A  | DA81-06989A |
| 18A | A/S-F. GLASS SHELF TOP    | 1   | SA  | DA81-07225A  | DA81-07225A |
| 18B | A/S-F. GLASS BOTTOM       | 1   | SA  | DA81-07226A  | DA81-07226A |
| 37  | A/S-R GLASS SHELF         | 3   | SA  | DA81-06993A  | DA81-06993A |
| 38  | A/S-R.GLASS SHELF FRONT   | 3   | SA  | DA81-07227A  | DA81-07227A |
| 39  | A/S-CRISPER GLASS SHELF   | 1   | SA  | DA81-06995A  | DA81-06995A |
| 40  | A/S-CRISPER FLAP GR       | 1   | SA  | DA81-06996A  | DA81-06996A |
| 41  | A/S-CRISPER GR            | 1   | SA  | DA81-06997A  | DA81-06997A |
| 71  | A/S-WINE SHELF            | 1   | SA  | DA81-06998A  | DA81-06998A |
| 89A | A/S-HINGE COVER           | 1   | SA  | DA81-07077A  | DA81-06999A |
| 89B | A/S-HINGE COVER CAP       | 1   | SA  | DA81-07078A  | DA81-07001A |
| 164 | A/S-DOOR HANDLE SCREW CAP | 3   | SA  | DA81-07228A  | DA81-07255A |
| 333 | A/S-CRISPER ROLLER        | 4   | SA  | DA81-07002A  | DA81-07002A |
| 339 | A/S-CHILLER GR            | 1   | SA  | DA81-07003A  | DA81-07257A |
| 641 | A/S-BOTTOM HINGE          | 1   | SA  | DA81-07229A  | DA81-07229A |
| 722 | A/S-BOTTOM BASKET GR      | 1   | SA  | DA81-07005A  | DA81-07005A |
| 725 | A/S-TOP BASKET GR         | 2   | SA  | DA81-07006A  | DA81-07006A |
| 726 | A/S-CRISPER RAIL RIGHT    | 1   | SA  | DA81-07007A  | DA81-07007A |
| 727 | A/S-CRISPER RAIL LEFT     | 1   | SA  | DA81-07008A  | DA81-07008A |
| 753 | A/S-CHILLER RAIL LEFT     | 1   | SA  | DA81-07009A  | DA81-07009A |
| 754 | A/S-CHILLER RAIL RIGHT    | 1   | SA  | DA81-07010A  | DA81-07010A |

# MULTIFLOW PARTS



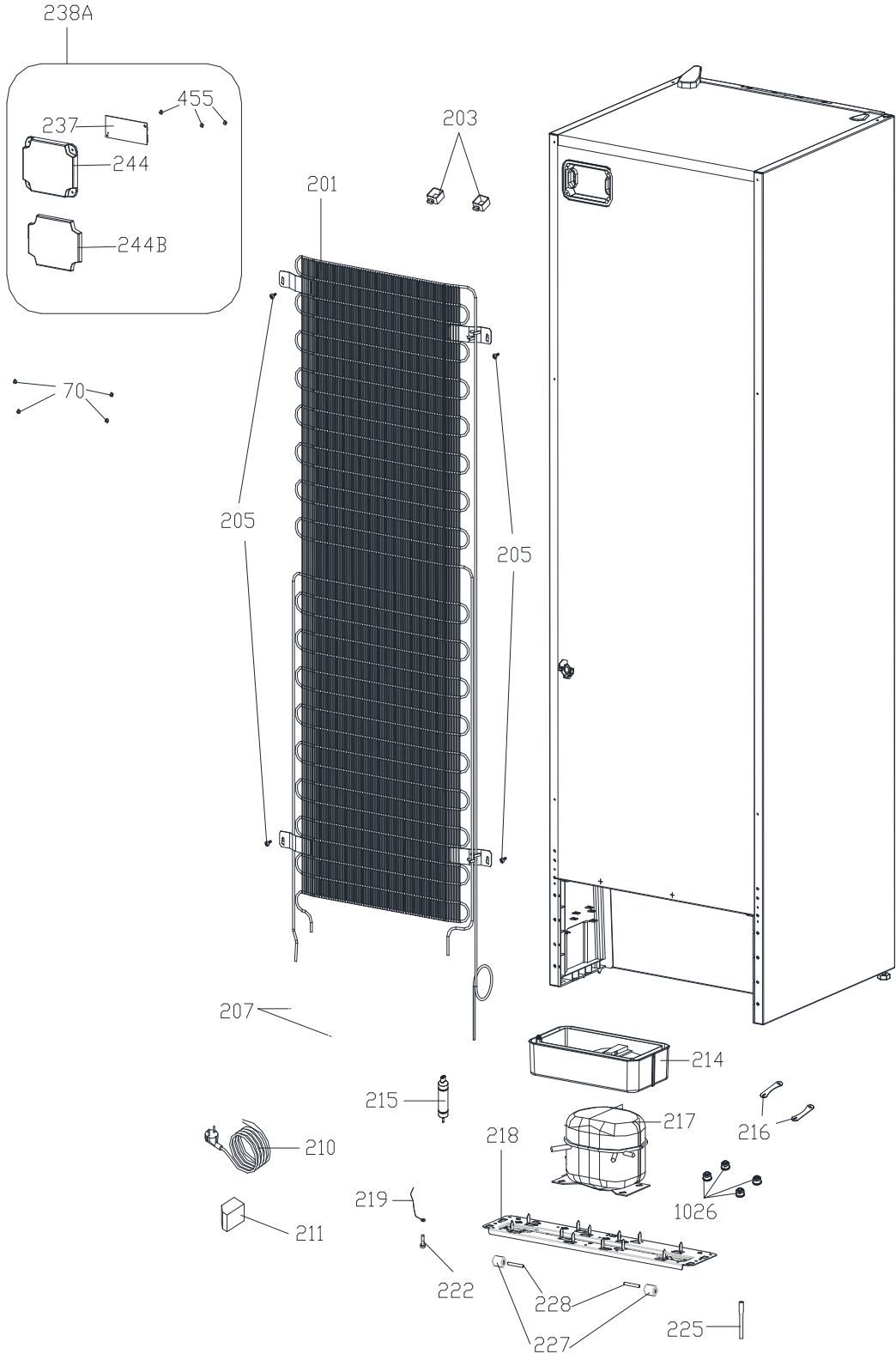
| No   | Part name                    | pcs | SVC | SAMSUNG Code |             |
|------|------------------------------|-----|-----|--------------|-------------|
|      |                              |     |     | RB3VTS154SA  | RB3VTS154WW |
| 70   | A/S-SCREW                    | 1   | SA  | DA81-07150A  | DA81-07150A |
| 77   | A/S-HEAD PANEL CAP           | 2   | SA  | DA81-07011A  | DA81-07011A |
| 200  | A/S-DISP PAN/INNER           | 1   | SA  | DA81-07282A  | DA81-07282A |
| 131  | A/S-SCREW                    | 2   | SA  | DA81-07198A  | DA81-07198A |
| 400  | A/S-FIN EVAP ASSY            | 1   | SA  | DA81-07230A  | DA81-07230A |
| 401  | A/S-FIN EVAPORATOR           | 1   | SA  | DA81-07231A  | DA81-07231A |
| 407  | A/S-F FAN MOTOR              | 1   | SA  | DA81-07232A  | DA81-07232A |
| 408  | A/S-F MULTIFLOW GR           | 1   | SA  | DA81-07014A  | DA81-07014A |
| 409  | A/S-FAN PROPELLER            | 1   | SA  | DA81-07015A  | DA81-07015A |
| 411  | A/S-F FAN MOTOR COVER        | 1   | SA  | DA81-07233A  | DA81-07233A |
| 413  | A/S-FREEZER FAN MOTOR        | 1   | SA  | DA81-07234A  | DA81-07234A |
| 428  | A/S-R MULTI FLOW ASSY        | 1   | SA  | DA81-07235A  | DA81-07235A |
| 430  | A/S-COOLING FAN COVER        | 1   | SA  | DA81-07206A  | DA81-07206A |
| 431  | A/S-R FAN MOTOR              | 1   | SA  | DA81-07207A  | DA81-07207A |
| 432  | A/S-MOTOR FAN                | 4   | SA  | DA81-07021A  | DA81-07021A |
| 434  | A/S-F DEFROST SENSOR         | 1   | SA  | DA81-07022A  | DA81-07022A |
| 500  | A/S-F FAN MOTOR BOX          | 1   | SA  | DA81-07023A  | DA81-07023A |
| 533  | A/S-FIN EVAP HEATER          | 1   | SA  | DA81-07024A  | DA81-07024A |
| 624  | A/S-F SENSOR COVER           | 2   | SA  | DA81-07025A  | DA81-07025A |
| 626  | A/S-FREEZER FAN MOTOR RUBBER | 2   | SA  | DA81-07211A  | DA81-07211A |
| 654  | A/S-REED SWITCH GR           | 1   | SA  | DA81-07027A  | DA81-07027A |
| 735  | A/S-LED GR                   | 1   | SA  | DA81-07236A  | DA81-07236A |
| 737  | A/S-LED COVER                | 1   | SA  | DA81-07237A  | DA81-07237A |
| 738  | A/S-LED STRIP                | 1   | SA  | DA81-07030A  | DA81-07030A |
| 433B | A/S-F/R SENSOR               | 2   | SA  | DA81-07031A  | DA81-07031A |

# DOOR ASSY. PARTS



| No   | Part name                 | pcs | SVC | SAMSUNG Code |             |
|------|---------------------------|-----|-----|--------------|-------------|
|      |                           |     |     | RB3VTS154SA  | RB3VTS154WW |
| 151  | A/S-BUSHING               | 2   | SA  | DA81-07238A  | DA81-07032A |
| 152  | A/S-BUSHING CAP           | 1   | SA  | DA81-07166A  | DA81-07033A |
| 153  | A/S-ASSY F DOOR           | 1   | SA  | DA81-07079A  | DA81-07034A |
| 154  | A/S-LOGO                  | 1   | SA  | DA81-07035A  | DA81-07035A |
| 155  | A/S-R DOOR ASSY           | 1   | SA  | DA81-07080A  | DA81-07084A |
| 159  | A/S-EGG HOLDER            | 2   | SA  | DA81-07037A  | DA81-07037A |
| 171  | A/S-STOPPER REINFORCEMENT | 1   | SA  | DA81-07240A  | DA81-07038A |
| 173  | A/S-DOOR CATCHER STOPPER  | 1   | SA  | DA81-07039A  | DA81-07039A |
| 174  | A/S-R BOTTOM STOPPER      | 1   | SA  | DA81-07040A  | DA81-07040A |
| 174B | A/S-R BOTTOM STOPPER      | 1   | SA  | DA81-07041A  | DA81-07041A |
| 175  | A/S-CHEESE BUT SHELF      | 2   | SA  | DA81-07042A  | DA81-07042A |
| 177  | A/S-BOTTLE SHELF          | 1   | SA  | DA81-07043A  | DA81-07043A |
| 187  | A/S-BUSHING               | 1   | SA  | DA81-07171A  | DA81-07045A |
| 189  | A/S-BUSHING               | 1   | SA  | DA81-07172A  | DA81-07046A |
| 459  | A/S-F DOOR GASKET         | 1   | SA  | DA81-07242A  | DA81-07047A |
| 460  | A/S-R DOOR GASKET         | 1   | SA  | DA81-07243A  | DA81-07048A |
| 510  | A/S-SCREW                 | 2   | SA  | DA81-07244A  | DA81-07244A |

# UNIT PARTS



| No   | Part name               | pcs | SVC | SAMSUNG Code |             |
|------|-------------------------|-----|-----|--------------|-------------|
|      |                         |     |     | RB3VTS154SA  | RB3VTS154WW |
| 70   | A/S-SCREW               | 4   | SA  | DA81-07150A  | DA81-07150A |
| 201  | A/S-MAIN CONDANSER GR   | 1   | SA  | DA81-07052A  | DA81-07052A |
| 203  | A/S-SPACER              | 2   | SA  | DA81-07053A  | DA81-07053A |
| 205  | A/S-SCREW               | 4   | SA  | DA81-07054A  | DA81-07054A |
| 207  | A/S-ANTIVIBRATION       | 3   | SA  | DA81-07055A  | DA81-07055A |
| 210  | A/S-POWER CORD          | 1   | SA  | DA81-07152A  | DA81-07152A |
| 211  | A/S-INVERTER            | 1   | SA  | DA81-07245A  | DA81-07245A |
| 214  | A/S-EVAPORATING TRAY    | 1   | SA  | DA81-07246A  | DA81-07246A |
| 215  | A/S-DRYER               | 1   | SA  | DA81-07060A  | DA81-07060A |
| 216  | A/S-COMP FIXING BRACKET | 2   | SA  | DA81-07061A  | DA81-07061A |
| 217  | A/S-COMPRESSOR          | 1   | SA  | DA81-07254A  | DA81-07254A |
| 218  | A/S-COMP BASEMENT       | 1   | SA  | DA81-07247A  | DA81-07247A |
| 219  | A/S-EARTH WIRE          | 1   | SA  | DA81-07064A  | DA81-07064A |
| 222  | A/S-SCREW               | 1   | SA  | DA81-07065A  | DA81-07065A |
| 224  | A/S-SCREW               | 4   | SA  | DA81-07066A  | DA81-07066A |
| 225  | A/S-SERVICE TUBE        | 1   | SA  | DA81-07067A  | DA81-07067A |
| 227  | A/S-FRONT BACK WHEEL    | 2   | SA  | DA81-07068A  | DA81-07068A |
| 228  | A/S-PIN OF BACK WHEEL   | 2   | SA  | DA81-07248A  | DA81-07248A |
| 237  | A/S-MAIN PCB            | 1   | SA  | DA81-07249A  | DA81-07249A |
| 244  | A/S-MAIN PCB COVER      | 1   | SA  | DA81-07163A  | DA81-07163A |
| 455  | A/S-SCREW               | 3   | SA  | DA81-07250A  | DA81-07250A |
| 1026 | A/S-COMPRESSOR RUBBER   | 4   | SA  | DA81-07251A  | DA81-07251A |
| 238A | A/S-MAIN PCB COVER      | 1   | SA  | DA81-07252A  | DA81-07252A |
| 244B | A/S-CABINET REAR WALL   | 1   | SA  | DA81-07253A  | DA81-07253A |