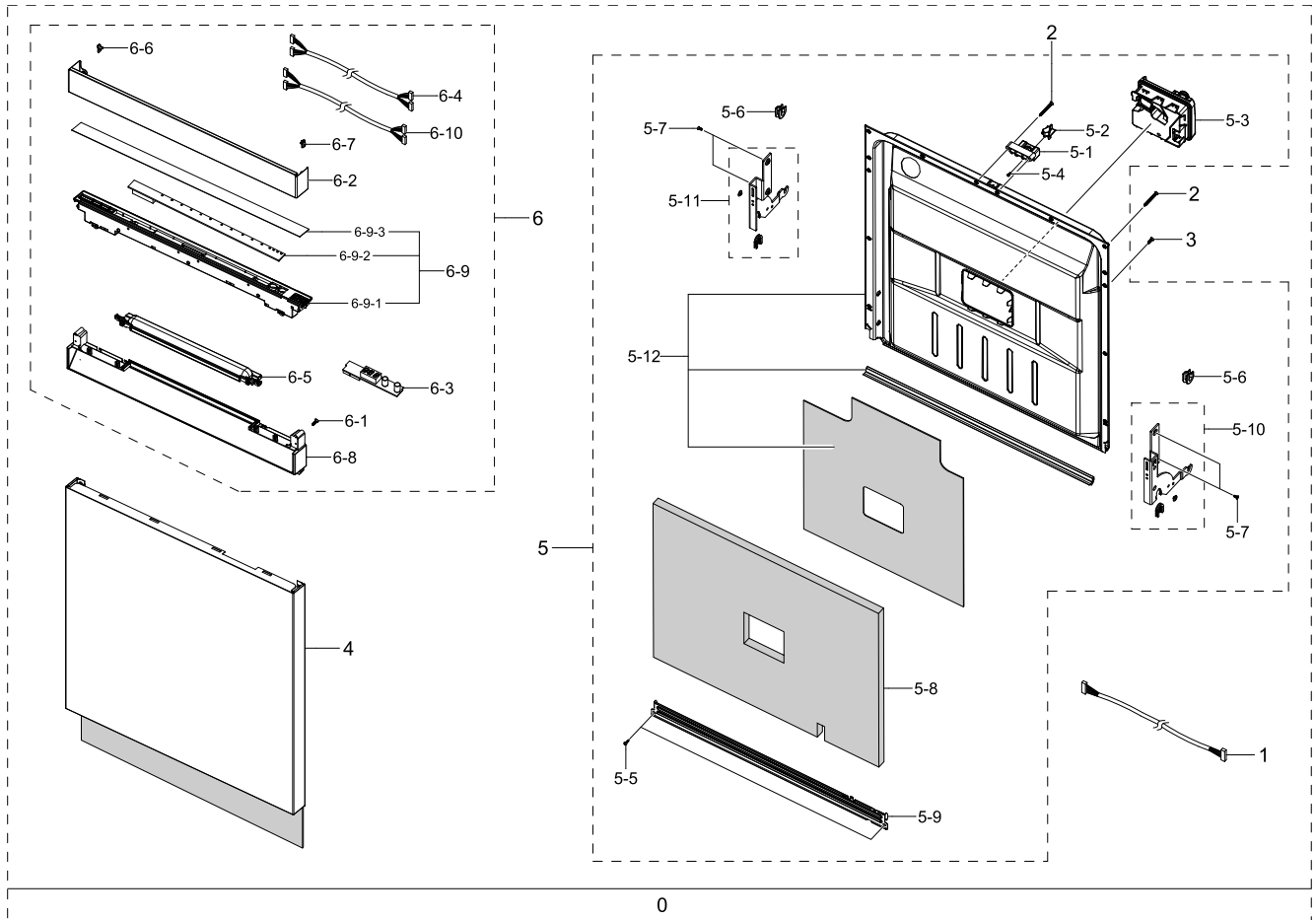


# 1. Assy Door

## Exploded View



## Parts List

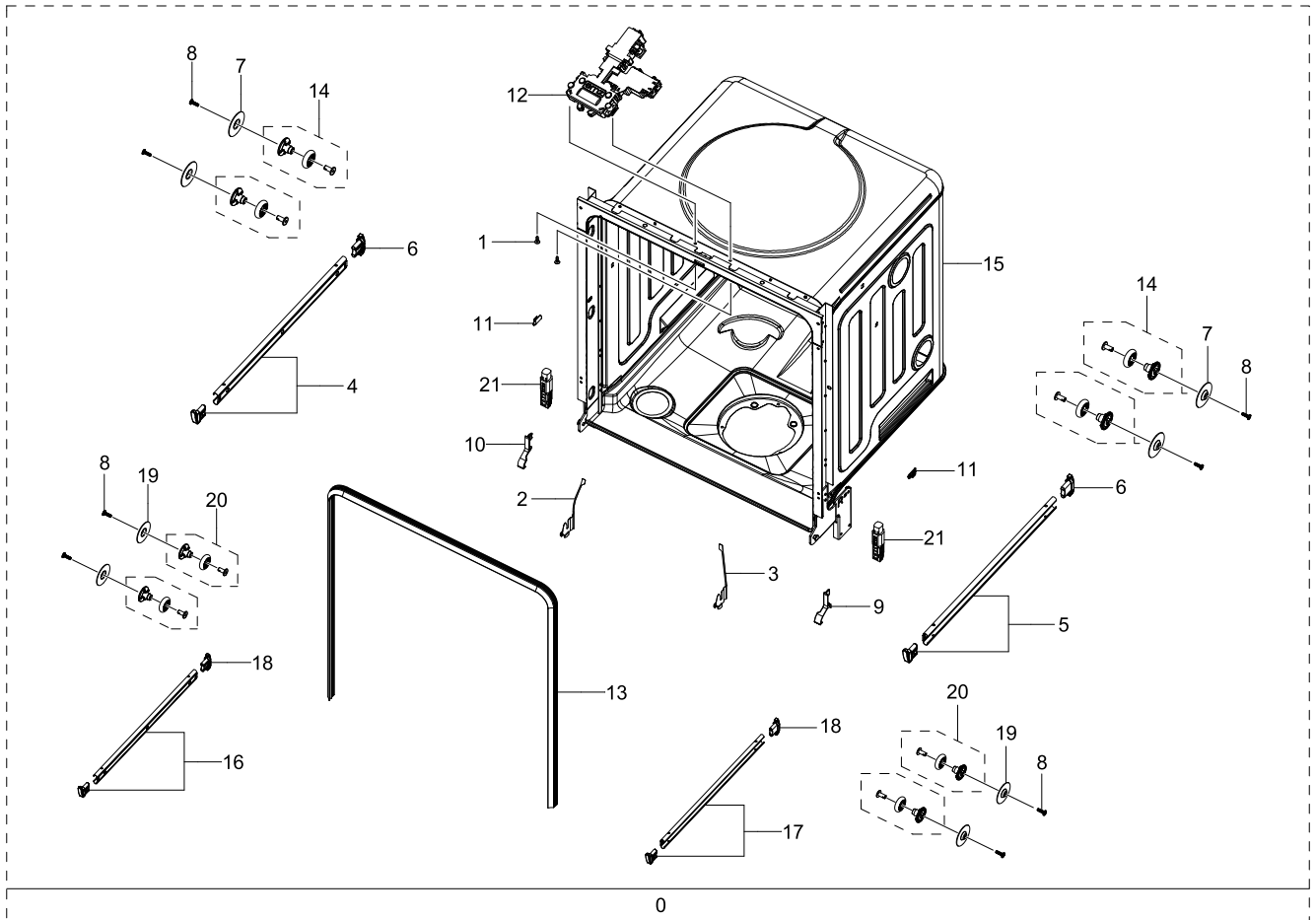
No.	Lvl.	Loc.	Material Code	Description & Specification	SNA	Qty.
0	1		DD82-01790G	SVC ASSY DOOR; ODM,7050FS	SNA	1
1	2		DD81-03034A	SVC-SUB WIRE HARNESS L; DW7500RM	SA	1
2	2		DD81-03011A	A/S-SCREW SPECIAL; DW7500RM,Torx 20, L47,	SNA	6
3	2		DD81-02758A	SVC-SCREW-SPECIAL T15 L; DW2900RM,1130320	SA	8
4	2		DD81-02521A	SVC ASSY DOOR-OUTER; STS	SA	1
5	2		DD82-01792B	SVC ASSY DOOR-INNER; ODM,FS	SNA	1
5-1	3		DD81-02447A	SVC-HOLDER-DOOR LOCK; DW5500MM	SA	1
5-2	3		DD81-02492A	SVC-DOOR LOCK HOOK; DW5500MM	SA	1
5-3	3		DD81-02654A	SVC-DISPENSER RINSE AID; DW5500MM	SA	1
5-4	3		DD81-02694A	SVC-SCREW HOUSING; DW5500MM	SA	1
5-5	3		DD81-02728A	SVC-SCREW-MACHINE; DW2900RM,1130113200011	SA	2
5-6	3		DD81-02763A	SVC-HOLDER HINGE; DW2900RM,12176000003629	SA	2
5-7	3		DD81-02764A	SVC-SCREW-MACHINE HINGE; DW2900RM,1130112	SA	4

## Exploded Views and Parts List

No.	Lvl.	Loc.	Material Code	Description & Specification	SNA	Qty.
5-8	3		DD81-02997A	SVC-ABSORBER DOOR INNER; DW7500RM	SA	1
5-9	3		DD82-01811A	SVC ASSY-BRACKET DOOR FRAME; ODM,FS	SA	1
5-10	3		DD82-01675A	SVC ASSY-HINGE-RIGHT; ODM,12276000001778	SA	1
5-11	3		DD82-01676A	SVC ASSY-HINGE-LEFT; ODM,12276000001731	SA	1
5-12	3		DD82-01779A	SVC ASSY DOOR-INNER SUB; ODM,7070UG	SNA	1
6	2		DD82-01791F	SVC ASSY-CONTROL PANEL; ODM,7050FS,MASCOT	SNA	1
6-1	3		DD81-02758A	SVC-SCREW-SPECIAL T15 L; DW2900RM,1130320	SA	8
6-2	3		DD81-02992E	SVC ASSY DOOR-FRONT; DW7500RM,ODM,7050FS,	SA	1
6-3	3		DD81-02933A	SVC ASSY PBA-SEGMENT; DW4000RM,ODM,4060BB	SA	1
6-4	3		DD81-02934B	SVC-WIRE HARNESS SUB SEGMENT; DW7500RM	SA	1
6-5	3		DD81-02993B	SVC-COVER HANDLE; DW7500RM	SA	1
6-6	3		DD81-02994B	SVC-GUIDE FRONT LEFT; DW7500RM	SA	1
6-7	3		DD81-02995B	SVC-GUIDE FRONT RIGHT; DW7500RM	SA	1
6-8	3		DD81-02996B	SVC-HANDLE DOOR; DW7500RM	SA	1
6-9	3		DD82-01778B	SVC ASSY-CONTROL PANEL SUB; ODM,7070*S,70	SA	1
6-9-1	4		DD81-03001B	A/S-CONTROL PANEL; DW7500RM,ODM,US,FS,SS	SNA	1
6-9-2	4		DD81-03002A	SVC ASSY PBA-SUB; ODM,7070UG	SNA	1
6-9-3	4		DD81-03003B	A/S-WINDOW PANEL; DW7500RM,ODM,7070*S,705	SNA	1
6-10	3		DD81-03035A	SVC-SUB WIRE HARNESS S; DW7500RM	SA	1

## 2. Assy Tub

### Exploded View



### Parts List

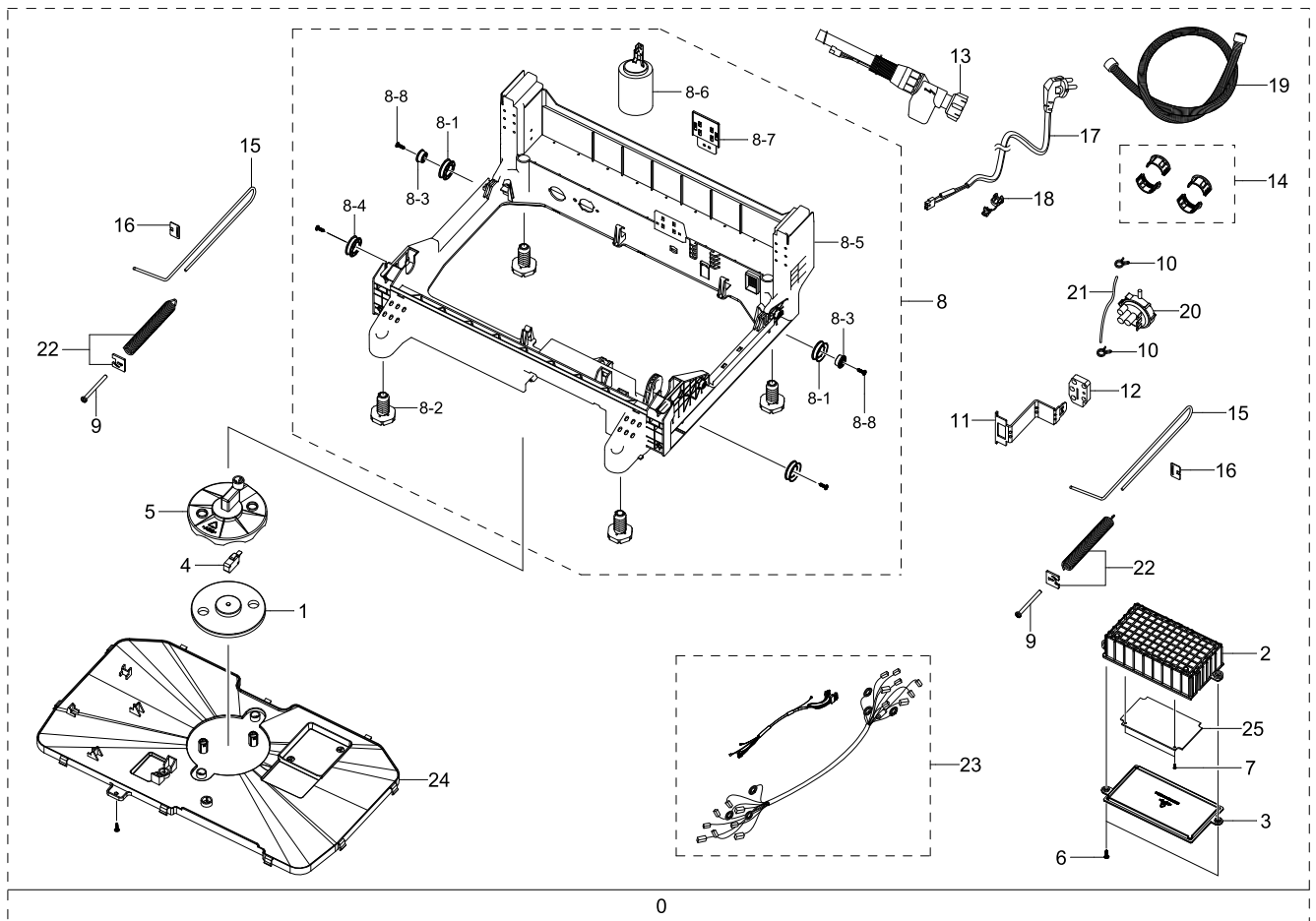
No.	Lvl.	Loc.	Material Code	Description & Specification	SNA	Qty.
0	1		DD82-01793A	SVC ASSY-TUB; 7070	SNA	1
1	2		DD81-02693A	SVC-SCREW TRIM SIDE; DW5500MM	SA	2
2	2		DD81-02700A	SVC-SEAL BLOCK L; DW5500MM,673002000167	SA	1
3	2		DD81-02701A	SVC-SEAL BLOCK R; DW5500MM,673002000168	SA	1
4	2		DD81-02766A	SVC-RAIL MID-LEFT; DW2900RM,1227600000135	SA	1
5	2		DD81-02767A	SVC-RAIL MID-RIGHT; DW2900RM,122760000013	SA	1
6	2		DD81-02768A	SVC-HOLDER-RAIL MIDDLE REAR; DW2900RM,121	SA	2
7	2		DD81-02769A	SVC-BRACKET RAIL; DW2900RM,12176000008573	SA	4
8	2		DD81-02771A	SVC-SCREW-BRACKET RAIL; DW2900RM,11303223	SA	8
9	2		DD81-02774A	SVC-COVER TUB EDGE-RIGHT; DW2900RM,121760	SA	1
10	2		DD81-02775A	SVC-COVER TUB EDGE-LEFT; DW2900RM,1217600	SA	1
11	2		DD81-02782A	SVC-CAP DOOR GUIDE; DW2900RM,121760000035	SA	2
12	2		DD81-02897A	SVC-DOOR SWITCH; DW4000RM	SA	1

Exploded Views and Parts List

No.	Lvl.	Loc.	Material Code	Description & Specification	SNA	Qty.
13	2		DD81-02770A	SVC-SEAL TUB PACKING; DW2900RM,1267600000	SA	1
14	2		DD82-01677A	SVC ASSY-ROLLER; ODM,12176000026011	SA	4
15	2		DD82-01794A	SVC ASSY-TUB SUB; 7070	SNA	1
16	2		DD81-02958A	SVC-RAIL 3RD-LEFT; DW4000RM	SA	1
17	2		DD81-02959A	SVC-RAIL 3RD-RIGHT; DW4000RM	SA	1
18	2		DD81-02960A	SVC-HOLDER-RAIL 3RD REAR; DW4000RM	SA	2
19	2		DD81-02961A	SVC-BRACKET RAIL-3RD; DW4000RM	SA	4
20	2		DD82-01771A	SVC ASSY-ROLLER RAIL 3RD; ODM,4050BB,1217	SA	4
21	2		DD82-01728A	SVC ASSY-DAMPER DOOR; ODM,4055FS,12176000	SA	2

### 3. Assy Base

#### Exploded View



#### Parts List

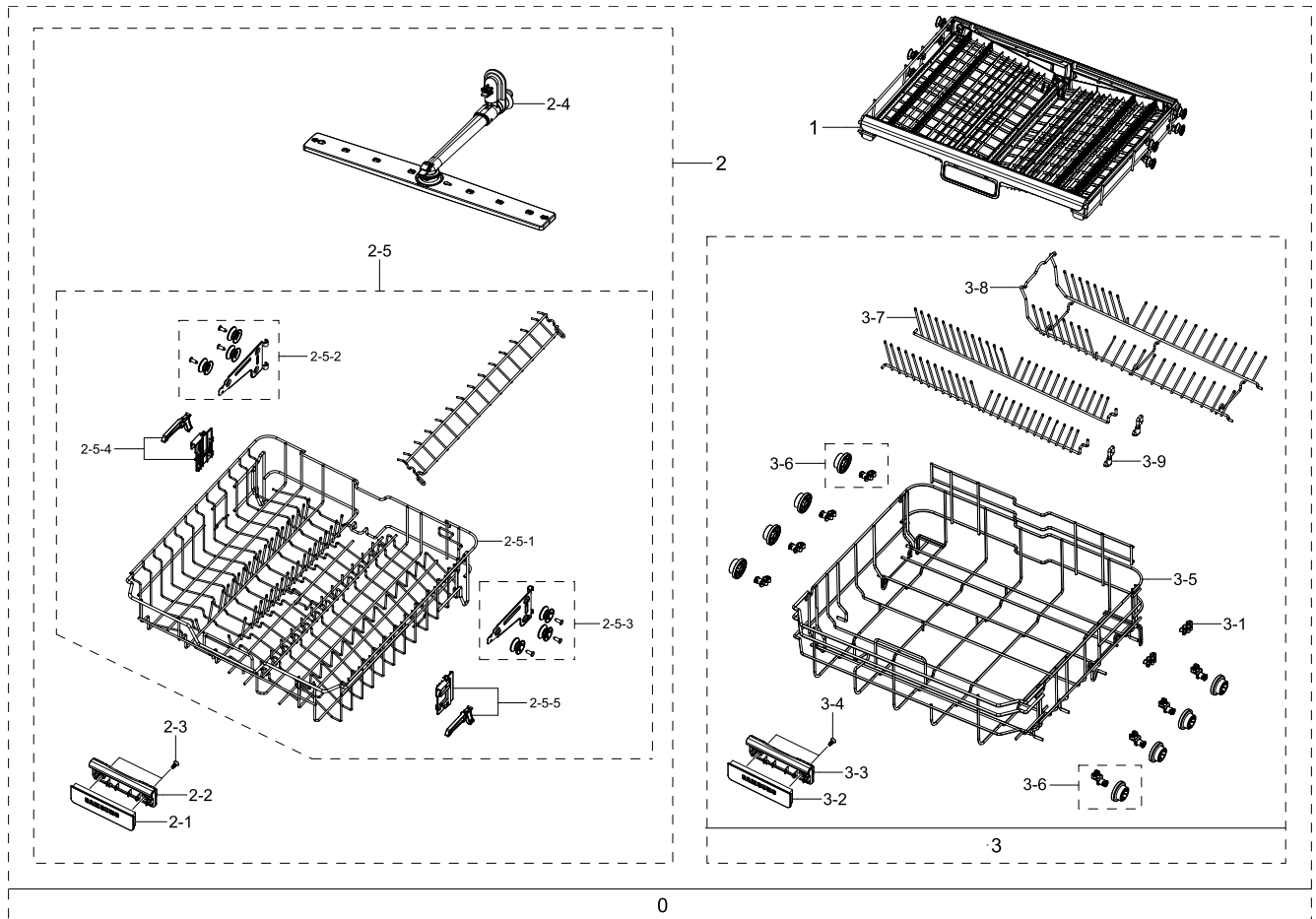
No.	Lvl.	Loc.	Material Code	Description & Specification	SNA	Qty.
0	1		DD82-01545G	SVC ASSY-BASE; ODM,FreeStanding	SNA	1
1	2		DD81-02288A	SVC-CUSION SENSOR LEAKAGE; ODM, DW3000MM	SA	1
2	2		DD81-02354B	SVC-COVER PCB; DW7500RM	SA	1
3	2		DD81-02355B	SVC-GUIDE COVER PCB; DW7500RM	SA	1
4	2		DD81-02495A	SVC-MICRO SWITCH; DW5500MM	SA	1
5	2		DD81-02496A	SVC-COVER SENSOR LEAKAGE; DW5500MM	SA	1
6	2		DD81-02694A	SVC-SCREW HOUSING; DW5500MM	SA	2
7	2		DD81-02695A	SVC ASSY PBA-SCREW SUB; DW5500MM,ODM,FS,B	SA	2
8	2		DD82-01782B	SVC ASSY-BASE SUB; ODM,FS	SNA	1
8-1	3		DD81-02358A	SVC-ROLLER; 5500MM, ODM	SA	2
8-2	3		DD81-03010A	SVC-FOOT; DW7500RM	SA	4
8-3	3		DD81-02498A	SVC-ROLLER SUB; DW5500MM	SA	2

## Exploded Views and Parts List

No.	Lvl.	Loc.	Material Code	Description & Specification	SNA	Qty.
8-4	3		DD81-02868A	SVC-ROLLER FIXED; DW4000RM	SA	2
8-5	3		DD81-02554A	SVC-BASE; DW5500MM, Free Standing	SA	1
8-6	3		DD81-02983A	SVC-FILTER EMI; DW7500RM	SA	1
8-7	3		DD81-02982A	SVC-BRACKET FILTER EMI; DW7500RM	SA	1
8-8	3		DD81-02869A	SVC-ROLLER SCREW; DW4000RM	SA	4
9	2		DD81-02796A	SVC-SHAFT SPRING; DW2900RM,12976000001001	SA	2
10	2		DD81-02806A	SVC-CLAMPER HOSE PRESSURE; DW2900RM,12976	SA	2
11	2		DD81-02978A	SVC-BRACKET DAMPER PUMP; DW7500RM	SA	1
12	2		DD81-02979A	SVC-DAMPER PUMP; DW7500RM	SA	1
13	2		DD81-02855A	SVC-VALVE WATER-SAFETY; DW4000RM	SA	1
14	2		DD81-02856A	SVC-HOLDER HOSE DRAIN; DW4000RM	SA	2
15	2		DD81-02857A	SVC-HOLDER ROPE DOOR; DW4000RM	SA	2
16	2		DD81-02858A	SVC-STOPPER ROPE DOOR; DW4000RM	SA	2
17	2		DD81-02861B	SVC POWER CORD; ODM,UCP2,CORE	SA	1
18	2		DD81-02862A	SVC-HOLDER POWER CORD; DW4000RM	SA	1
19	2		DD81-02863A	SVC-HOSE DRAIN; DW4000RM	SA	1
20	2		DD81-02864A	SVC-PRESSURE SENSOR; DW4000RM	SA	1
21	2		DD81-02448A	SVC-HOSE PRESSURE SWITCH; DW5500MM	SA	1
22	2		DD81-02494B	SVC-DOOR SPRING; ODM, DW5500MM,FS,BU	SA	2
23	2		DD81-02981A	SVC-WIRE HARNESS-MAIN; DW7500RM	SA	1
24	2		DD81-02357B	SVC-COVER BASE; DW7500RM	SA	1
25	2		DD81-02980A	SVC ASSY PBA-MAIN; DW7500RM,7070,ODM	SA	1

## 4. Assy Basket

### Exploded View



### Parts List

No.	Lvl.	Loc.	Material Code	Description & Specification	SNA	Qty.
0	1		DD82-01785B	A/S ASSY-BASKET PARTS; DW7500RM,7050	SNA	1
1	2		DD82-01499B	SVC ASSY-BASKET 3RD; ODM,7070,7050	SA	1
2	2		DD82-01496E	SVC ASSY-BASKET UPPER; 7070	SA	1
2-1	3		DD81-02899A	SVC-HANDLE BASKET UP; DW4000RM	SA	1
2-2	3		DD81-02900B	SVC-HANDLE BASKET LOW; DW7500RM	SA	1
2-3	3		DD81-02901A	SVC-SCREW HANDLE BASKET; DW4000RM	SA	2
2-4	3		DD82-01776A	SVC ASSY-ROTOR MIDDLE; ODM	SNA	1
2-5	3		DD82-01786A	SVC ASSY-BASKET MIDDLE SUB; 7070	SNA	1
2-5-1	4		DD81-02467D	SVC-BASKET UPPER; DW7500RM	SNA	1
2-5-2	4		DD82-01717A	SVC ASSY-BRACKET ADJUSTER-LEFT; ODM,4055F	SA	1
2-5-3	4		DD82-01718A	SVC ASSY-BRACKET ADJUSTER-RIGHT; ODM,4055	SA	1
2-5-4	4		DD82-01719B	SVC ASSY-ADJUSTER L; VITAL ORANGE	SA	1
2-5-5	4		DD82-01720B	SVC ASSY-ADJUSTER R; VITAL ORANGE	SA	1

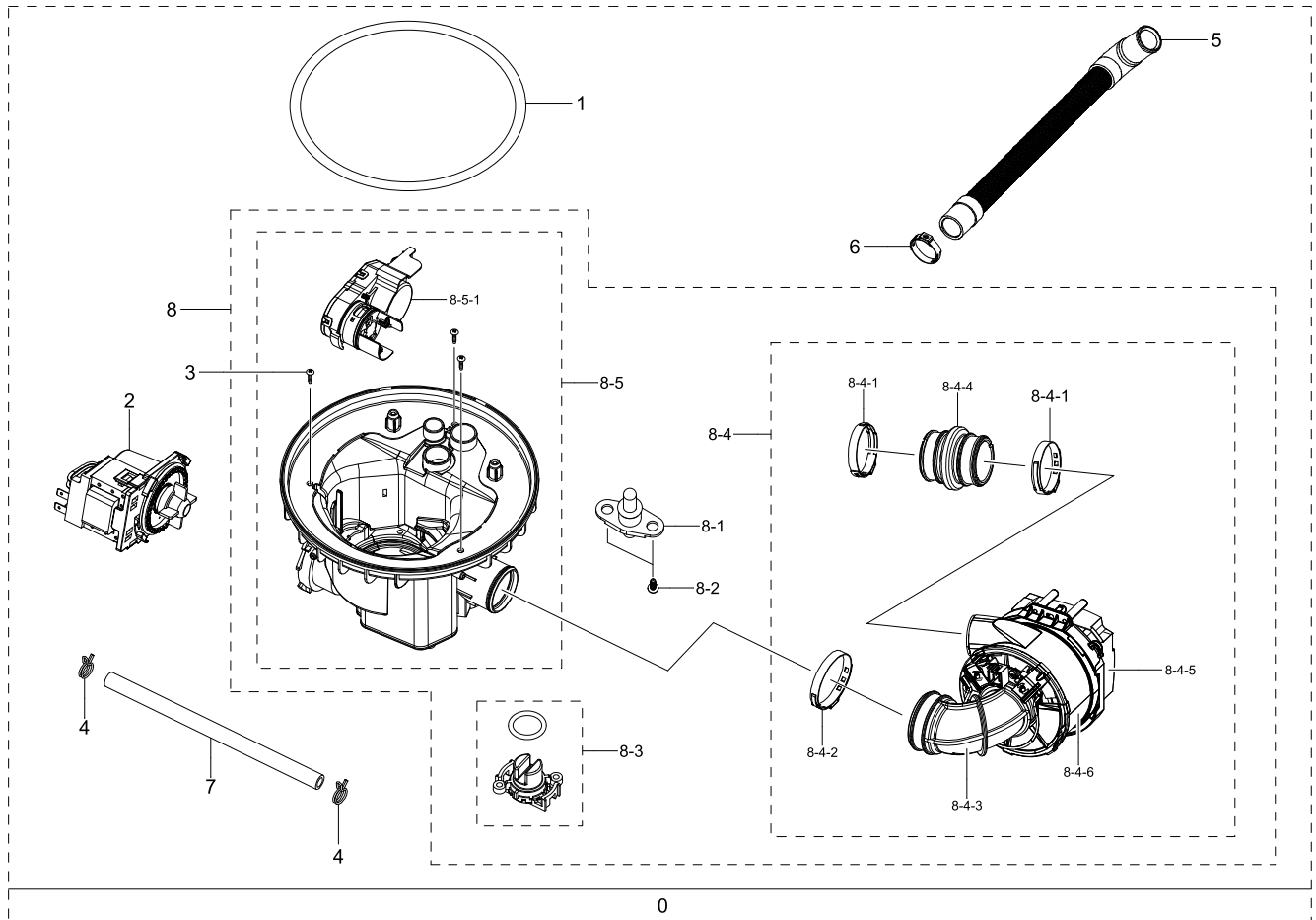
Exploded Views and Parts List

No.	Lvl.	Loc.	Material Code	Description & Specification	SNA	Qty.
3	2		DD82-01498F	SVC ASSY-BASKET LOWER; ODM,7050	SA	1
3-1	3		DD81-02512A	SVC-HOLDER WIRE; ODM, DW5500MM	SA	2
3-2	3		DD81-02899A	SVC-HANDLE BASKET UP; DW4000RM	SA	1
3-3	3		DD81-02900B	SVC-HANDLE BASKET LOW; DW7500RM	SA	1
3-4	3		DD81-02901A	SVC-SCREW HANDLE BASKET; DW4000RM	SA	2
3-5	3		DD81-02485F	A/S-BASKET LOWER; DW7500RM,ODM,7050	SNA	1
3-6	3		DD82-01669A	SVC ASSY-ROLLER-LOW; ODM,12176000008775	SA	8
3-7	3		DD81-01677B	SVC-WIRE TINE; DW7500RM	SNA	2
3-8	3		DD81-01697B	SVC-REMOVABLE TINE; DW7500RM	SA	1
3-9	3		DD81-01676A	SVC-HOLDER TINE; DW60H6050,5050	SA	2



## 5. Assy Sump

### Exploded View



### Parts List

No.	Lvl.	Loc.	Material Code	Description & Specification	SNA	Qty.
0	1		DD82-01788A	SVC ASSY-SUMP PARTS; 7070	SNA	1
1	2		DD81-02449A	SVC-SEAL SUMP; DW5500MM	SA	1
2	2		DD81-02451A	SVC PUMP-DRAIN; DW5500MM	SA	1
3	2		DD81-02718A	SVC-SCREW SUMP; DW2900RM,11303125000152	SA	3
4	2		DD81-02749A	SVC-CLAMPER HOSE INLET; DW2900RM,12976000	SA	2
5	2		DD81-02450A	SVC-HOSE-DRAIN IN; DW5500MM	SA	1
6	2		DD81-02739A	SVC-CLAMPER HOSE DRAIN; DW2900RM,12976000	SA	1
7	2		DD81-02508A	SVC-PVC HOSE; DW5500MM	SA	1
8	2		DD82-01732C	SVC ASSY-SUMP; 7070	SA	1
8-1	3		DD81-02737A	SVC-THERMISTOR; DW2900RM,17176000000297	SA	1
8-2	3		DD81-02738A	SVC-SCREW-THERISTOR; DW2900RM,11303122000	SA	2
8-3	3		DD81-02889A	SVC-SENSOR-TURBIDITY; DW4000RM	SA	1
8-4	3		DD82-01777A	SVC MOTOR-PUMP; ODM	SA	1

Exploded Views and Parts List

No.	Lvl.	Loc.	Material Code	Description & Specification	SNA	Qty.
8-4-1	4		DD81-02481A	SVC-CLAMPER HOSE OUT; DW5500MM	SA	2
8-4-2	4		DD81-02482A	SVC-CLAMPER HOSE IN; DW5500MM	SA	1
8-4-3	4		DD81-02989A	SVC-HOSE PUMP-IN; DW7500RM	SNA	1
8-4-4	4		DD81-02990A	SVC-HOSE PUMP-OUT; DW7500RM	SNA	1
8-4-5	4		DD81-02999A	SVC MOTOR-PUMP; ODM	SNA	1
8-4-6	4		DD82-01789A	SVC ASSY-HEATER PUMP; DW7500RM	SNA	1
8-5	3		DD82-01734A	SVC ASSY-SUMP SUB; ODM,4060BB,12176000016	SA	1
8-5-1	4		DD81-02575A	SVC MOTOR-GEARED; DW5500MM	SA	1

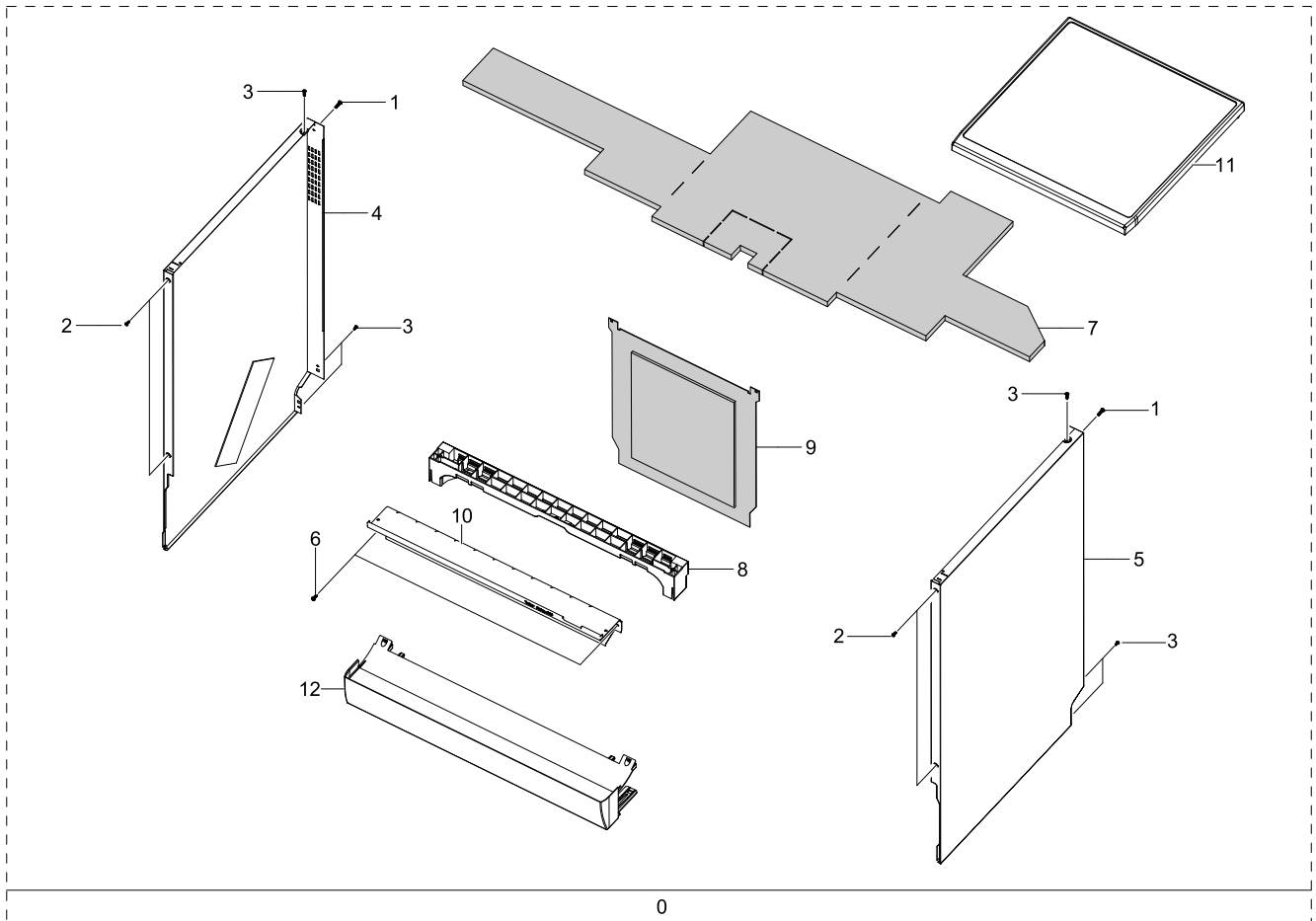


## Exploded Views and Parts List

No.	Lvl.	Loc.	Material Code	Description & Specification	SNA	Qty.
8	2		DD81-02917A	SVC-TANK WATER-SOFTENER; DW4000RM	SA	1
9	2		DD81-02918A	SVC-TANK WATER-SOFTENER-CAP; DW4000RM	SA	1
10	2		DD81-02919A	SVC-TANK WATER-SOFTENER-HOLDER; DW4000RM	SA	1
11	2		DD81-02920A	SVC-TANK WATER-SOFTENER SEAL; DW4000RM	SA	1
12	2		DD82-01446A	SVC ASSY-CASE BRAKE; 5500MM,ODM	SA	1
13	2		DD81-02910A	SVC-CLAMPER HOSE DRAIN; DW4000RM	SA	2
14	2		DD81-02911A	SVC-CLAMPER HOSE INLET; DW4000RM	SA	1
15	2		DD81-02725A	SVC-CAP CASE BRAKE; DW2900RM,121760000136	SA	1
16	2		DD81-02726A	SVC-GASKET-BRAKE; DW2900RM,1267600000713	SA	1

## 7. Assy Case Parts

### Exploded View



### Parts List

No.	Lvl.	Loc.	Material Code	Description & Specification	SNA	Qty.
0	1		DD82-01787C	SVC ASSY-CASE PARTS; ODM,7050FS	SNA	1
1	2		DD81-02692A	SVC-SCREW TOP PANEL; DW5500MM	SA	2
2	2		DD81-02693A	SVC-SCREW TRIM SIDE; DW5500MM	SA	4
3	2		DD81-02694A	SVC-SCREW HOUSING; DW5500MM	SA	10
4	2		DD81-02880A	SVC-HOUSING-LEFT; DW4000RM	SA	1
5	2		DD81-02881A	SVC-HOUSING-RIGHT; DW4000RM	SA	1
6	2		DD81-02728A	SVC-SCREW-MACHINE; DW2900RM,1130113200011	SA	2
7	2		DD81-02988A	SVC-ABSORBER-TOP; DW7500RM	SA	1
8	2		DD81-02733A	SVC-GUIDE TUB TOP; DW2900RM,121760000386	SA	1
9	2		DD81-02734A	SVC-COVER TUB REAR; DW5500MM,121760000102	SA	1
10	3		DD81-02996B	SVC-HANDLE DOOR; DW7500RM	SA	1

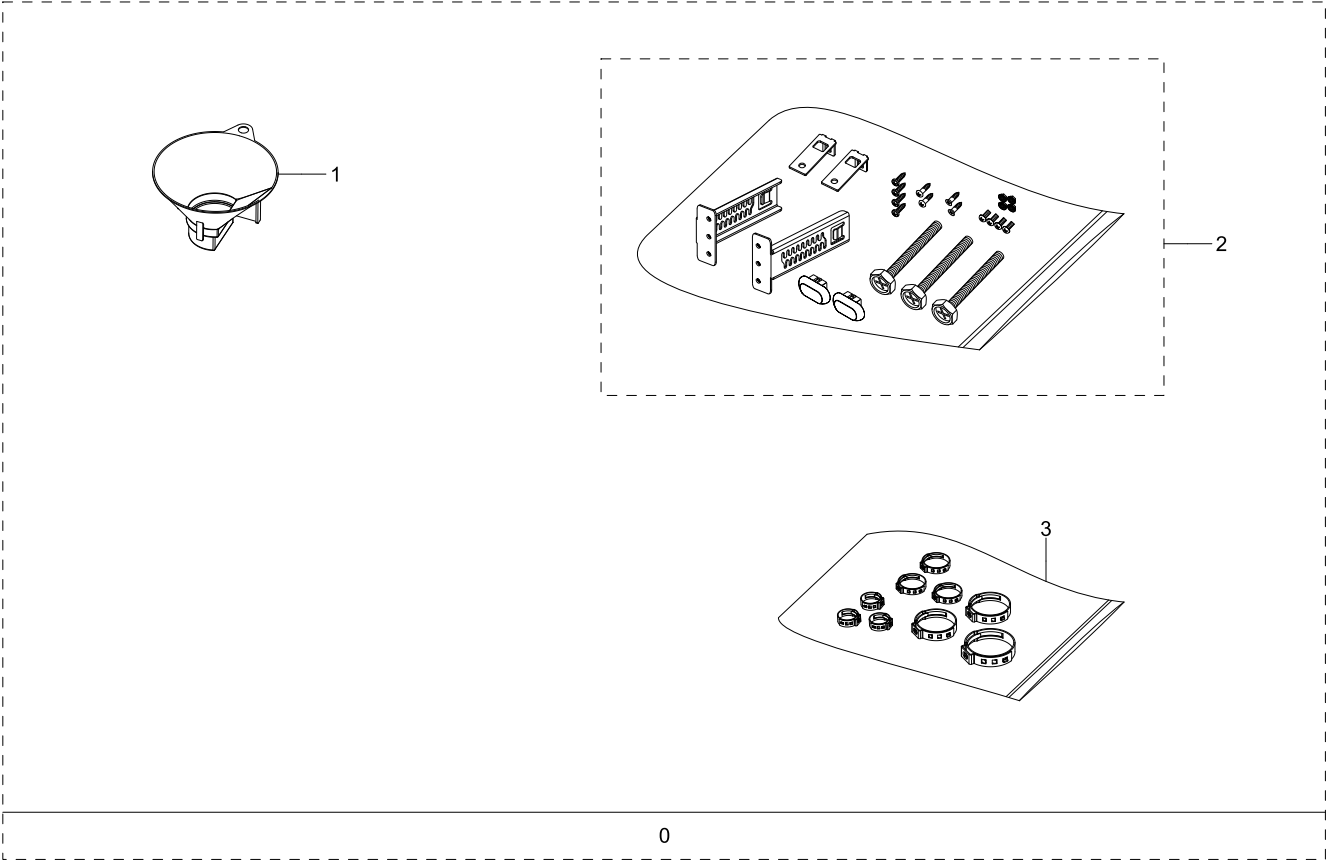
Exploded Views and Parts List

---

No.	Lvl.	Loc.	Material Code	Description & Specification	SNA	Qty.
11	2		DD81-02552C	SVC-COVER TOP; DW7500RM	SA	1
12	2		DD81-01650B	SVC-COVER PLINTH; DW5500MM,DW7500RM,12176	SA	1

# 8. Assy Buyer Parts

## Exploded View



## Parts List

No.	Lvl.	Loc.	Material Code	Description & Specification	SNA	Qty.
0	1		DD82-01783J	SVC ASSY-BUYER PARTS; 7050FS/EC	SNA	1
1	2		DD81-02921A	SVC-GUIDE SALT; DW4000RM	SA	1
2	2		DD82-01784J	SVC ASSY-ACCESSORY; 7050F*/EC	SNA	1
3	2		DD81-02922A	SVC-CLAMPER KIT; DW4000RM	SA	1