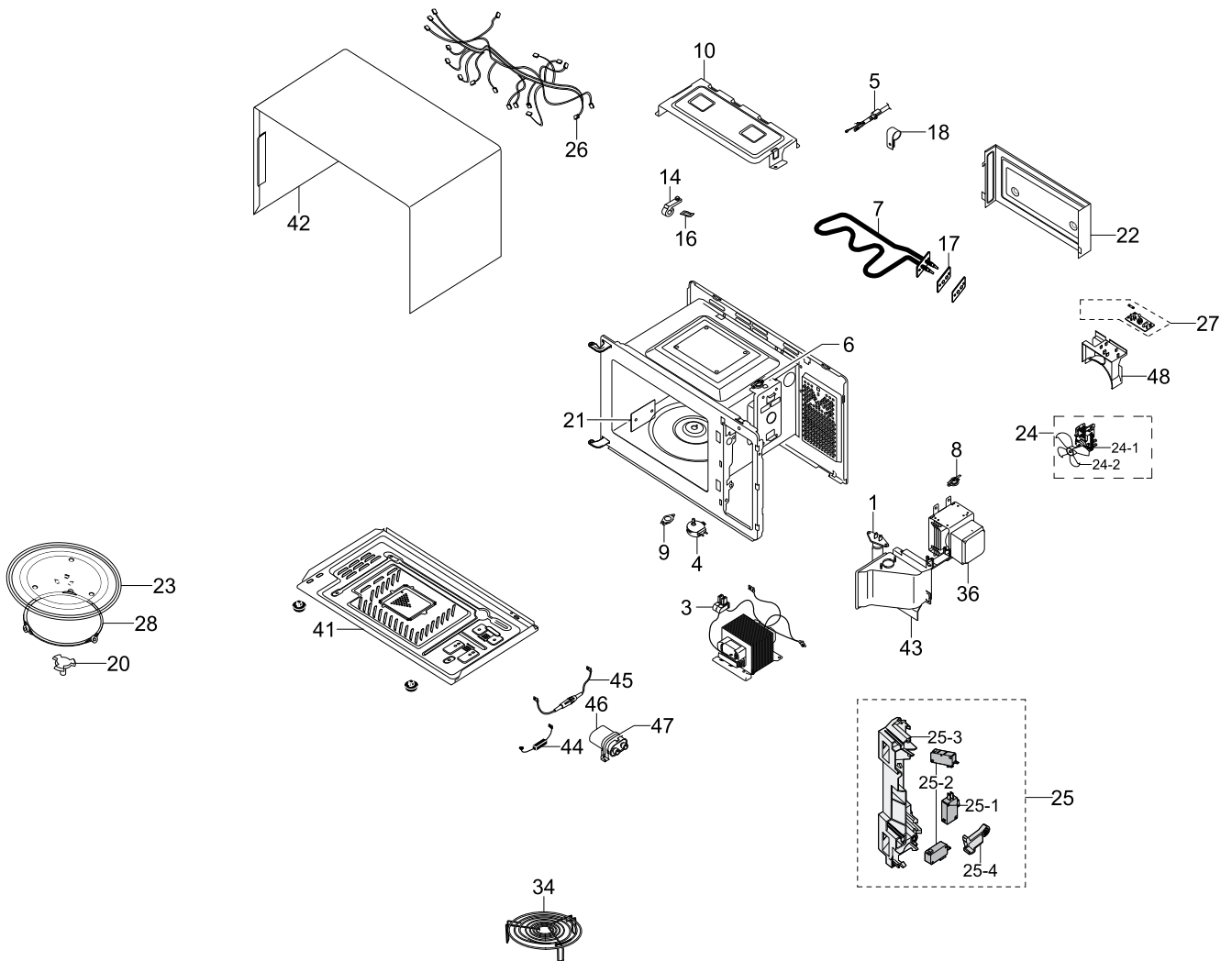


1. Main

Exploded View



Parts List1

No.	Parent	Lvl.	Loc.	Material Code	Description & Specification	SNA	Qty.
1	DE90-01020A	2	M036	4713-001524	LAMP-INCANDESCENT; 230V,20W	SA	1
3	DE90-01022A	2	M038	DE26-00160A	TRANS H.V; SHV-EPT06A,230V,50Hz,2280V/3.4	SA	1
4	DE90-01020A	2	M049	DE31-10154A	MOTOR SYNCHRONOUS; M2HJ49ZR02,5/6,21V,50/	SA	1
5	GE731K/XEC	1	M015	DE96-00385E	ASSY POWER CORD; CEE,Straight,250V/10A,H0	SA	1
6	DE90-01020A	2	M451	DE47-20032B	THERMOSTAT; -,NT-101,250V 10A/125V 15A,-,	SA	1
7	DE90-01012A	2	H061	DE47-00016A	HEATER SHEATH; SHG-2638E,-,-,1100W(1080W)	SA	1
8	DE90-01020A	2	M436	DE47-20009A	THERMOSTAT; NT-101,250V 10A/125V 15A,150(SA	1

Exploded Views and Parts List

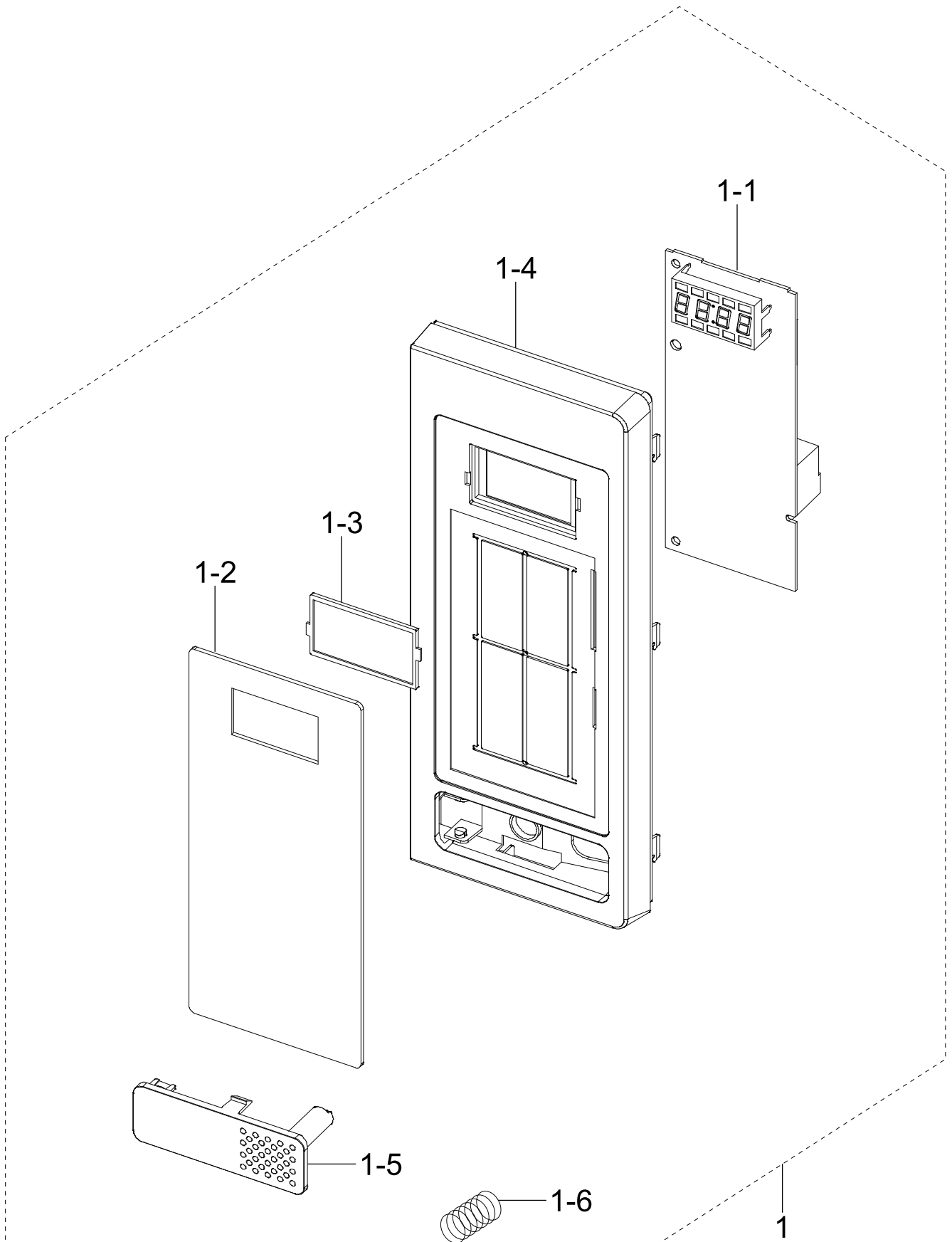
No.	Parent	Lvl.	Loc.	Material Code	Description & Specification	SNA	Qty.
9	DE90-01020A	2	M447	DE47-20010A	THERMOSTAT; -,NT-101,250V 10A/125V 15A,-,	SA	1
10	DE90-01012A	2	M003	DE61-01318A	BRACKET-UPPER(GRILL); 0.8 Chic,EGI-SECC,T	SA	1
14	DE90-01012A	2	M535	DE61-30008A	SUPPORT-HEATER; GE87H/BAL,ALUMINA,T12,W11	SA	1
16	DE90-01012A	2	M005	DE61-70060A	SPRING-PLATE; SK5,T0.5	SNA	1
17	DE90-01012A	2	M008	DE63-00049A	GASKET-HEATER; CE2613N,BRASS,T1.0,W53,L15	SNA	1
18	DE90-01012A	2	M483	DE65-20014A	CABLE CLAMP; NY-66,DA-6N	SA	1
20	DE90-01249A	2	M034	DE67-00258A	COUPLER; 0.7ECO PLATFORM,PPS,BROWN	SA	1
21	DE90-01249A	2	M051	DE71-00159A	COVER-CEILING; CN2835,MICA SHEET,T0.3,W11	SA	1
22	DE90-01012A	2	P186	DE63-00644A	COVER-BACK; 0.7ECO PLATFORM,GI-SGCC,T0.4,	SA	1
23	DE90-01249A	2	T001	DE74-00027A	TRAY-COOKING; NC2000,NC06,GLASS,T5,255mm,	SA	1
24	DE90-01020A	2	M020	DE96-00848A	ASSY MOTOR FAN; MW73BR,SMF-E73A,230V 50Hz	SA	1
24-1	DE96-00848A	3	M023	DE31-10184J	MOTOR FAN; SMF-E73A,230V/50Hz,2450rpm,9T	SA	1
24-2	DE96-00848A	3	H018	DE31-00063A	BLADE-FAN; 0.7ECO PLATFORM,PP,GREY	SA	1
25	GE731K/XEC	1	B022	DE94-02265B	ASSY BODY LATCH; MW73BR,ECO PLATFORM	SA	1
25-1	DE94-02265B	2	B046	3405-001032	SWITCH-MICRO; 125/250VAC,16A,200GF,SPDT	SC	1
25-2	DE94-02265B	2	B048	3405-001034	SWITCH-MICRO; 125/250VAC,16A,200gf,SPST-N	SA	2
25-3	DE94-02265B	2	B076	DE66-00225A	LATCH-BODY(BUTTON); 0.7ECO PLATFORM,PP,WH	SA	1
25-4	DE94-02265B	2	L0001	DE66-00234A	LEVER-SWITCH; CE73JD,POM,26,31.1,WHITE	SA	1
26	GE731K/XEC	1	W002	DE96-00833C	ASSY WIRE HARNESS-A; GE73AR/BWT,230V/50HZ	SNA	1
27	DE90-01020A	2	M017	DE96-00822B	ASSY NOISE FILTER; SN-ESMB,250V10A(15A Fu	SA	1
28	DE90-01249A	2	T165	DE94-02266D	ASSY GUIDE ROLLER; MW73BR/BWT (ECO),SPS,T	SA	1
34	DE94-02437B	2	T030	DE74-70071G	RACK-WIRE; 0.7 Eco quartz grill,MSWR10,D2	SA	1
36	DE90-01022A	2	M035	OM75S(31)ESGN	ASSY-MGT; ASSY-MGT		1
41	DE90-01249A	2	M048	DE61-01262A	BASE-PLATE; 0.7ECO PLATFORM,GI-SGCC,T0.5	SA	1

No.	Parent	Lvl.	Loc.	Material Code	Description & Specification	SNA	Qty.
42	DE90-01012A	1	M001	DE64-02356B	PANEL-OUTER; 0.7ECO PLATFORM,EGI-SECC,T0.	SA	1
43	DE90-01249A	2	M037	DE63-00651A	COVER-AIR; 0.7ECO PLATFORM,GI-SGCC,T0.4	SA	1
44	DE90-01022A	2	M527	DE59-00002A	DIODE-H.V; MWO ALL,2CL4512H,-,450mA 13KV,	SC	1
45	DE90-01022A	2	M042	DE96-00831A	ASSY H.V.FUSE; MW74,THV060T-0650-SC,5KV/0	SA	1
46	DE90-01022A	2	M039	2501-001016	C-OIL; 950nF,2100V,BK,35x54x80mm,20mm	SA	1
47	DE90-01249A	2	M040	DE61-01263A	BRACKET-HVC; 0.7ECO PLATFORM,GI-SGCC,T0.6	SA	1
48	DE90-01249A	2	M022	DE63-00641A	COVER-BLOWER; 0.7ECO PLATFORM,PP,WHITE	SA	1

No.	Parent	Lvl.	Loc.	Material Code	Description & Specification	SNA	Qty.
1-4	DE94-02426F	2	D004	DE94-02262C	ASSY DOOR E-COATING; MW73B/XEF,SCP T0.4,B	SA	1
1-5	DE94-02413A	3	D002	DE64-02485A	DOOR-A; MW731R,ABS,WHITE,SOFT1	SNA	1
1-6	DE94-02413A	3	D024	DE64-02483A	SCREEN-DOOR(B); MW731R,SAN,BLACK,SOFT1	SNA	1
1-7	DE94-02426F	2	D005	DE64-00221E	FILM-DOOR; -,CE2877N,PET,T0.15,W143,L264,	SA	1

1.2. Assy control

Exploded View



Parts List

No.	Parent	Lvl.	Loc.	Material Code	Description & Specification	SNA	Qty.
1	GE731K/XEC	1	C082	DE94-02428E	ASSY CONTROL BOX; GE731K/XEC,WHITE,SOFT1	SNA	1
1-1	DE94-02428E	2	F316	DE92-02526Y	ASSY PCB MAIN; RCS-SMS3L-248,GE73A/BOL,LE	SNA	1
1-2	DE94-02428E	2	C004	DE34-00383E	SWITCH MEMBRANE; GE731K/XEC,PET,230V / 50	SNA	1
1-3	DE94-02428E	2	C009	DE64-01986A	WINDOW-DISPLAY; LATIN2,SAN,-,-,-,-,-	SA	1
1-4	DE94-02425A	3	C005	DE64-02481A	CONTROL-PANEL(MEMB); MW731R,ABS,WHITE,SOF	SA	1
1-5	DE94-02425A	3	C007	DE64-02484A	BUTTON-PUSH; MW731R,ABS,WHITE,SOFT1, MIXI	SNA	1
1-6	DE94-02425A	3	R014	DE61-70076A	SPRING-BUTTON; -,HSWR,PI0.6,-,OD19,L23,5T	SA	1