



**Parts List**

No.	Parent	Lvl.	Loc.	Material Code	Description & Specification	SNA	Qty.
1	DE94-02788D	2	M015	DE96-00385A	ASSY POWER CORD; CEE,Straight,250V/16A,H0	SA	1
4	DE94-02788D	2	W002	DE96-00925B	ASSY WIRE HARNESS-A; CE107M-S/XEF,230V/50	SA	1
5	DE94-02770A	2	B022	DE96-00120Q	ASSY BODY LATCH; PG117R(TBMO/SIDE),NYLON	SA	1
5-1	DE96-00120Q	3	B024	DE96-00120T	ASSY BODY LATCH SUB; PG117R(TBMO/SIDE),NY	SA	1
5-1-1	DE96-00120T	4	B010	DE66-00093B	LEVER-SWITCH(A); PG113R,NYLON,NTR,HANDLE,	SA	1
5-1-2	DE96-00120T	4	B011	DE66-00094B	LEVER-SWITCH(B); PG113R,NYLON,NTR,HANDLE	SA	1
5-2	DE96-00120Q	3	B046	3405-001032	SWITCH-MICRO; 125/250VAC,16A,200GF,SPDT	SC	1
5-3	DE96-00120Q	3	B048	3405-001034	SWITCH-MICRO; 125/250VAC,16A,200gf,SPST-N	SA	2
5-4	DE96-00120T	4		DE72-00137D	LATCH-BODY; MC1015WB/BB,NYLON(GLASS10%),W	SA	1
8	DE94-02788D	2	M203	DE96-00455J	ASSY N/F-MOTOR FAN; CE1071AR,-,-,-	SNA	1
8-1	DE96-00455J	3	H096	DE31-90051A	BLADE-FAN; -,PP,-,D130,-,T,-	SA	1
8-2	DE96-00455J	3	M022	DE61-10006A	COVER-BLOWER; 3RD-W(1.3)-,PP(TB53),3RD-W(	SNA	1
8-3	DE96-00455J	3	M023	DE31-10185A	MOTOR FAN; SMF-3RDEA1,-,-,-,230V50Hz,24	SA	1
8-4	DE96-00455J	3	M017	DE96-00399A	ASSY NOISE FILTER; MW840,SN-UF11A,250V15A	SA	1
9	DE94-02789E	2	M001	DE64-01161M	PANEL-OUTER; 1.0 CONVECTION,EGI-SECC,T0.6	SA	1
10	DE94-02770A	2	M003	DE61-00936A	BRACKET-UPPER; TRIO-CONVECTION,SECC,T0.5,	SA	1
11	DE94-02789E	2	M034	DE67-00229A	COUPLER; TRIO,PPS	SA	1
12	DE94-02771A	2	M035	OM75P(31)ESGN	ASSY-MGT; ASSY-MGT		1
13	DE94-02771A	2	M036	4713-001046	LAMP-INCANDESCENT; 240V,104mA,25W,ORG,25x	SA	1
14	DE94-02770A	2	M037	DE63-00616A	COVER-AIR; CE107V/XEN,PP(FH44N)	SA	1
15	DE94-02771A	2	M038	DE26-00152A	TRANS H.V; SHV-EPT10A,230V,50Hz,2390V/3.4	SNA	1
16	DE94-02789E	2	M155	DE96-00637A	ASSY BASE PLATE; 5TH/1.0 CONVECTION,-,-,-	SNA	1
16-1	DE96-00637A	3	M039	2501-001015	C-OIL; 1.0uF,2100V,BK,35X54X80,20mm	SA	1
16-2	DE96-00637A	3	M040	DE61-50106A	BRACKET-HVC; -,SECC,T0.8,W31,L125.8,-,-	SA	1

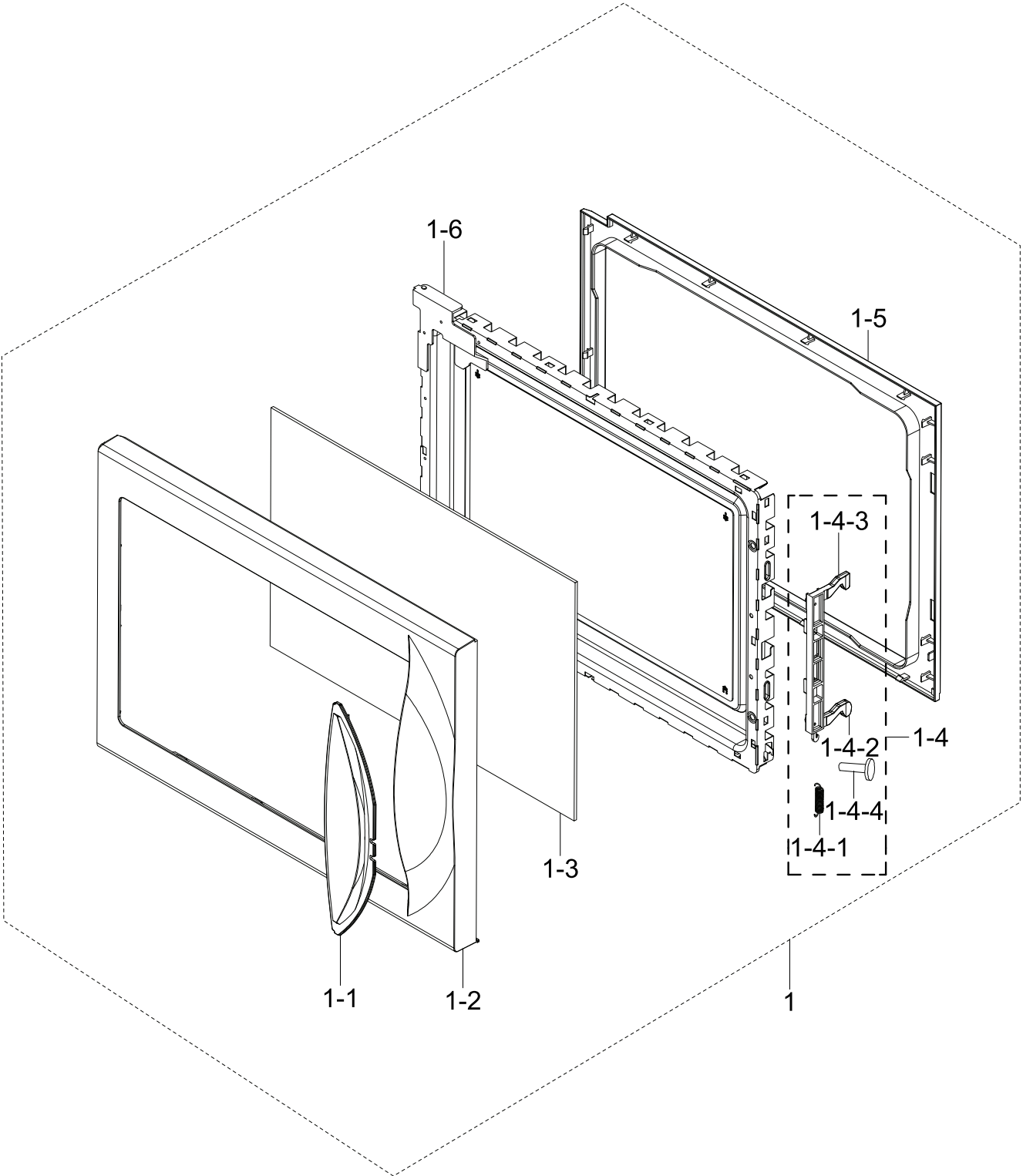
No.	Parent	Lvl.	Loc.	Material Code	Description & Specification	SNA	Qty.
16-3	DE96-00637A	3	M042	DE91-70061A	ASSY H.V.FUSE; -,THV060T-0800-H,5KV/0.80A	SA	1
16-4	DE96-00637A	3	M045	DE96-00295M	ASSY BASE PLATE SUB; 5TH/1.0 CONVECTION,-	SA	1
16-4-1	DE96-00295M	4	M046	DE60-60025A	PIN-FOOT; -,,-,-,-,-,-,-,-	SA	4
16-4-2	DE96-00295M	4	M047	DE61-40065A	FOOT; -,PP,T2x22x17mm,BLK,-,-,-	SA	4
16-4-3	DE96-00295M	4	M048	DE61-00557M	BASE-PLATE; 5TH/1.0 CONVECTION,SGCC,T0.5,	SNA	1
16-5	DE96-00637A	3	M527	DE59-00002A	DIODE-H.V; MWO ALL,2CL4512H,-,450mA 13KV,	SC	1
17	DE94-02771A	2	M495	DE31-10170B	MOTOR SYNCHRONOUS; SM16FHK36P1AW3,CONV,FR	SA	1
18	DE94-02770A	2	M051	DE63-00237A	COVER-CEILING; CE297DN-5,MICA-SHEET,T0.3,	SNA	1
19	DE94-02771A	2	M054	DE32-10013A	SENSOR; PTM-K312-K2,MG620440,-20to+310C,1	SA	1
20	DE94-02770A	2	M151	DE63-00620A	COVER HEATER; 1.0value convec,SECC,T0.4,W	SA	2
21	DE94-02771A	2	M295	DE47-00024B	HEATER-QUARTZ; SHQ-U7103A,CE7103,600W,115	SNA	1
22	DE94-02770A	2	M296	DE96-00799A	ASSY WIRE-PROTECT; CE103VR/BWT,1.0VALUE C	SNA	1
22-1	DE96-00799A	3	H131	DE75-00075A	RACK-WIRE PROTECT; 1.0VALUE CONVEC,STS304	SA	5
23	DE94-02771A	2	M436	DE47-20009A	THERMOSTAT; NT-101,250V 10A/125V 15A,150(	SA	1
24	DE94-02789E	2	M483	DE65-20014A	CABLE CLAMP; NY-66,DA-6N	SA	1
25	DE94-02770A	2	P186	DE63-00442A	COVER-BACK; TRIO-CONVECTION,GI,T0.6,-,-,-	SA	1
26	DE94-02778B	2	T001	DE74-20015G	TRAY-COOKING; 3RD-1.0,GLASS,T6.0,PI316,-,	SA	1
27	DE99-00394B	3	T009	DE97-00136B	ASSY WIRE RACK; CK95,-,-,LOW-RACK	SA	1
27-1	DE97-00136B	4	T124	DE74-00018B	RACK-WIRE; CK95,MSWR10,D268,-,H35,-,SNC2,	SA	1
27-2	DE97-00136J	4	T116	DE61-00389A	FOOT-RACK; PG81/83,SILICON,0.8 POWER-GRIL	SA	3
28	DE99-00394B	3	T010	DE97-00136J	ASSY WIRE RACK; TRIO-CONVECTION,-,-,-	SA	1
28-1	DE97-00136J	4	T030	DE74-00018F	RACK-WIRE; TRIO-CONVECTION,MSWR	SA	1
28-2	DE97-00136J	4	T116	DE61-00389A	FOOT-RACK; PG81/83,SILICON,0.8 POWER-GRIL	SA	3
33	DE94-02778B	2	T161	DE97-00705B	ASSY GUIDE ROLLER; TRIO,-,-,-,19PI ROLLER	SNA	1

## Exploded Views and Parts List

No.	Parent	Lvl.	Loc.	Material Code	Description & Specification	SNA	Qty.
34	DE94-02788D	2	W038	DE96-00659E	ASSY WIRE HARNESS-B; CE117ADV/XTL,230V/50	SA	1
35	DE94-02788D	2	W076	DE96-00650A	ASSY WIRE HARNESS-B; PG2833R,230V50HZ,-	SA	1
36	DE94-02771A	2		DE47-00024D	HEATER-BLAST QUARTZ; Quartz Heater,600W,1	SA	1

# 1.1. Assy Door

## Exploded View

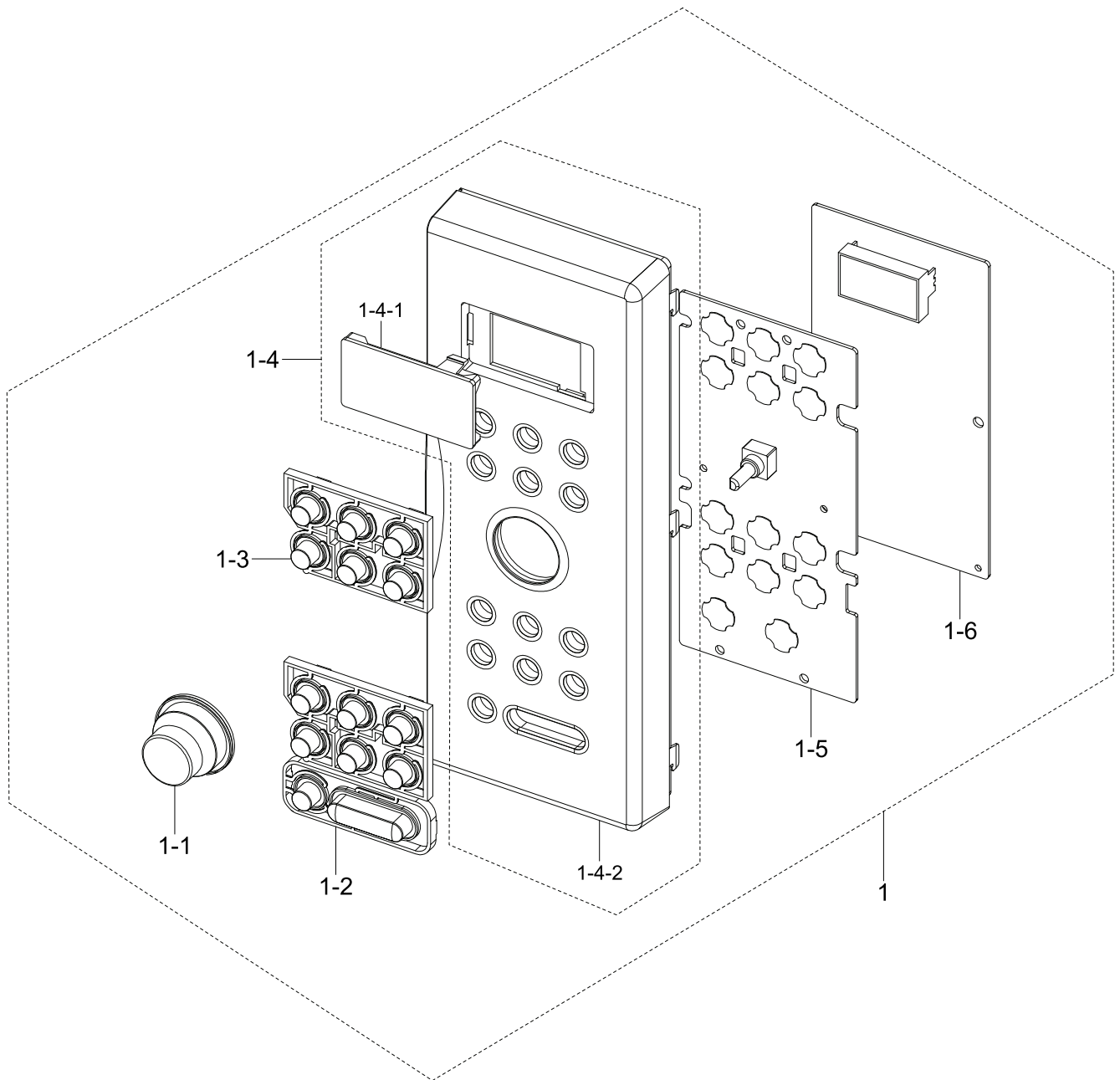


**Parts List**

No.	Parent	Lvl.	Loc.	Material Code	Description & Specification	SNA	Qty.
1	CE1071/XEC	1	D049	DE94-01540A	ASSY DOOR; CE1071,ABS HG-0760SR,GREY(G411	SA	1
1-1	DE94-01540A	2	D026	DE63-00443A	COVER-HANDLE; CE1071,ABS,-,-,-,-,GREY(G	SA	1
1-2	DE94-01540A	2	D002	DE64-01757A	DOOR-A; TRIO-CONVECTION,ABS HG-0760SR,GE	SA	1
1-3	DE94-01540A	2	D024	DE64-01778C	SCREEN-DOOR(B); CE1071/XEC,GLASS,T3.2,SMO	SA	1
1-4	DE94-01540A	2	D200	DE94-02226B	ASSY DOOR E-SUB; 1.0 CONVECTION,EGF,BLACK	SA	1
1-4-1	DE94-02226B	3	D007	DE61-01406A	SPRING ETC-KEY; SWP,0.7,4.6,6,17	SNA	2
1-4-2	DE94-02226B	3	D014	DE64-01352A	KEY-DOOR(L); SCOUT,NYLON#66,BLK,LOWER	SA	1
1-4-3	DE94-02226B	3	D012	DE64-01353A	KEY-DOOR(U); SCOUT,NYLON#66,BLK,UPPER	SA	1
1-4-4	DE94-02226B	3	D017	DE60-60008A	PIN-HINGE; -,M301TBC,-,-,-,MSWR10,-,-,-	SA	2
1-5	DE94-01540A	2	D006	DE64-40012C	DOOR-C; CK95,PBT,-,-,-,BLK,-	SA	1
1-6	DE94-02226B	3	D204	DE94-02172A	ASSY DOOR E-SEALANT; 1.0 CONV,SCP,BLACK,N	SNA	1

## 1.2. AssyControl

### Exploded View



### Parts List

No.	Parent	Lvl.	Loc.	Material Code	Description & Specification	SNA	Qty.
1	CE1071/XEC	1	C082	DE94-01543B	ASSY CONTROL BOX; CE1071/XEN,GE-WHITE 3,A	SNA	1
1-1	DE94-01543B	2	C029	DE64-01762A	KNOB-DIAL; TRIO-CONVECTION,ABS HG-0760SR,	SA	1
1-2	DE94-01543B	2	C012	DE64-01673B	BUTTON-SELECT(B); CE1071AR,ABS HG-0760SR,	SA	1

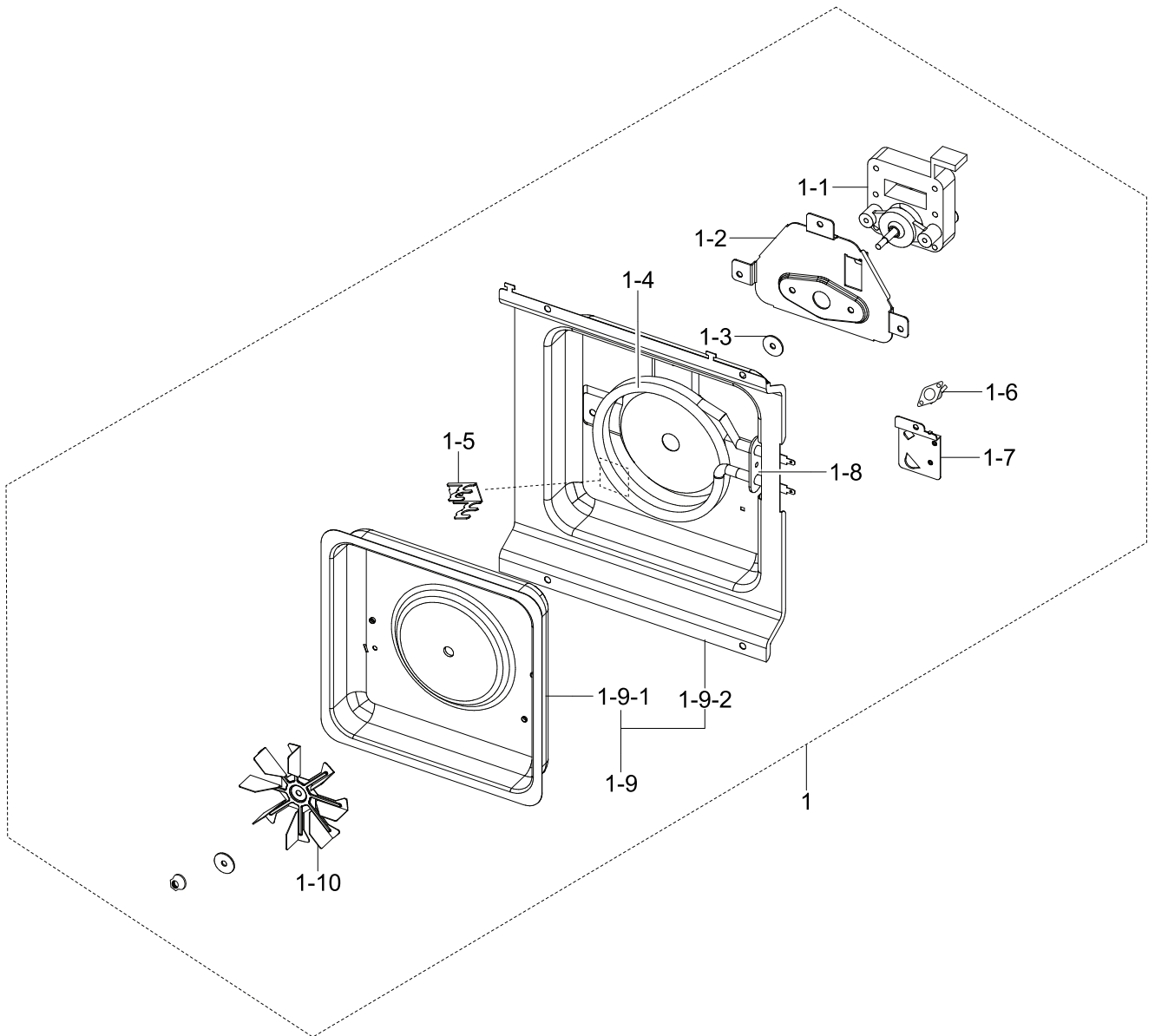
Exploded Views and Parts List

No.	Parent	Lvl.	Loc.	Material Code	Description & Specification	SNA	Qty.
1-3	DE94-01543B	2	C011	DE64-01691B	BUTTON-SELECT(A); CE1071AR,ABS HG-0760SR,	SA	2
1-4	DE94-01543B	2	C001	DE94-01544B	ASSY CONTROL PANEL; CE1071/XEN,GE-WHT 3 (	SNA	1
1-4-1	DE94-01544B	3	C009	DE64-01759A	WINDOW-DISPLAY; TRIO-CONVECTION,SAN G0167	SA	1
1-4-2	DE94-01544B	3	C005	DE64-01758B	CONTROL-PANEL; CE1071/XEN,ABS HG-0760SR,G	SNA	1
1-5	DE94-01543B	2	C084	DE96-00671B	ASSY KEY MODULE; CE1071/XEN,DKM-TRIO-01,-	SNA	1
1-6	DE94-01543B	2	C003	RCS-SM100L-20	RCS-SM100L-20,PCB; RCS-SM100L-20,PCB		1



## 1.3. Assy Casing

### Exploded View



### Parts List

No.	Parent	Lvl.	Loc.	Material Code	Description & Specification	SNA	Qty.
1	DE94-02789E	2	H067	DE97-00690E	ASSY CASE; Trio 1.0,230V/50Hz,Reduce scre	SNA	1
1-1	DE96-00692E	4	H001	DE31-00049A	MOTOR CONVECTION; SMC-E7103A,230V/50Hz,27	SNA	1
1-2	DE96-00692E	4	P082	DE61-00956B	BRACKET-MOTOR; CE1071R/BWT,EGI-SECC,T1.0,	SNA	1
1-3	DE97-00690E	3	H011	DE60-40014B	WASHER-C MOTOR; -,STS304,-,T1.0,-,-,-,-,Z	SA	2

Exploded Views and Parts List

No.	Parent	Lvl.	Loc.	Material Code	Description & Specification	SNA	Qty.
1-4	DE97-00690E	3	H003	DE47-00043A	HEATER-CONVECTION; SHC-E7103A,CE7103,800W	SA	1
1-5	DE97-00690E	3	M012	DE61-00831A	BRACKET-HEATER; 1.5 CONV,STSS #430,T0.8,-	SA	1
1-6	DE97-00690E	3	M436	DE47-20009A	THERMOSTAT; NT-101,250V 10A/125V 15A,150(	SA	1
1-7	DE97-00690E	3	H111	DE61-50490A	BRACKET-TCO; -,SECC1,T0.6,34,58,-,-	SA	1
1-8	DE97-00690E	3	M008	DE63-00469B	GASKET-HEATER; 1.0 CU.FT,SECC,T 0.5,CONVE	SNA	1
1-9	DE97-00690E	3	H005	DE97-00689B	ASSY COVER CASING; CE1071R/BWT,SECC,T0.5,	SNA	1
1-9-1	DE97-00689B	4	H014	DE61-00935B	BRACKET-CASING; CE1071R/BWT,SECC,T0.5,Red	SNA	1
1-9-2	DE97-00689B	4	H015	DE63-00440B	COVER-CASING; CE1071R/BWT,SECC,T0.5,Reduc	SNA	1
1-10	DE97-00690E	3	H097	DE31-00047A	BLADE-FAN; TRIO-CONVECTION,ALSTAR,-,-,-,T	SNA	1