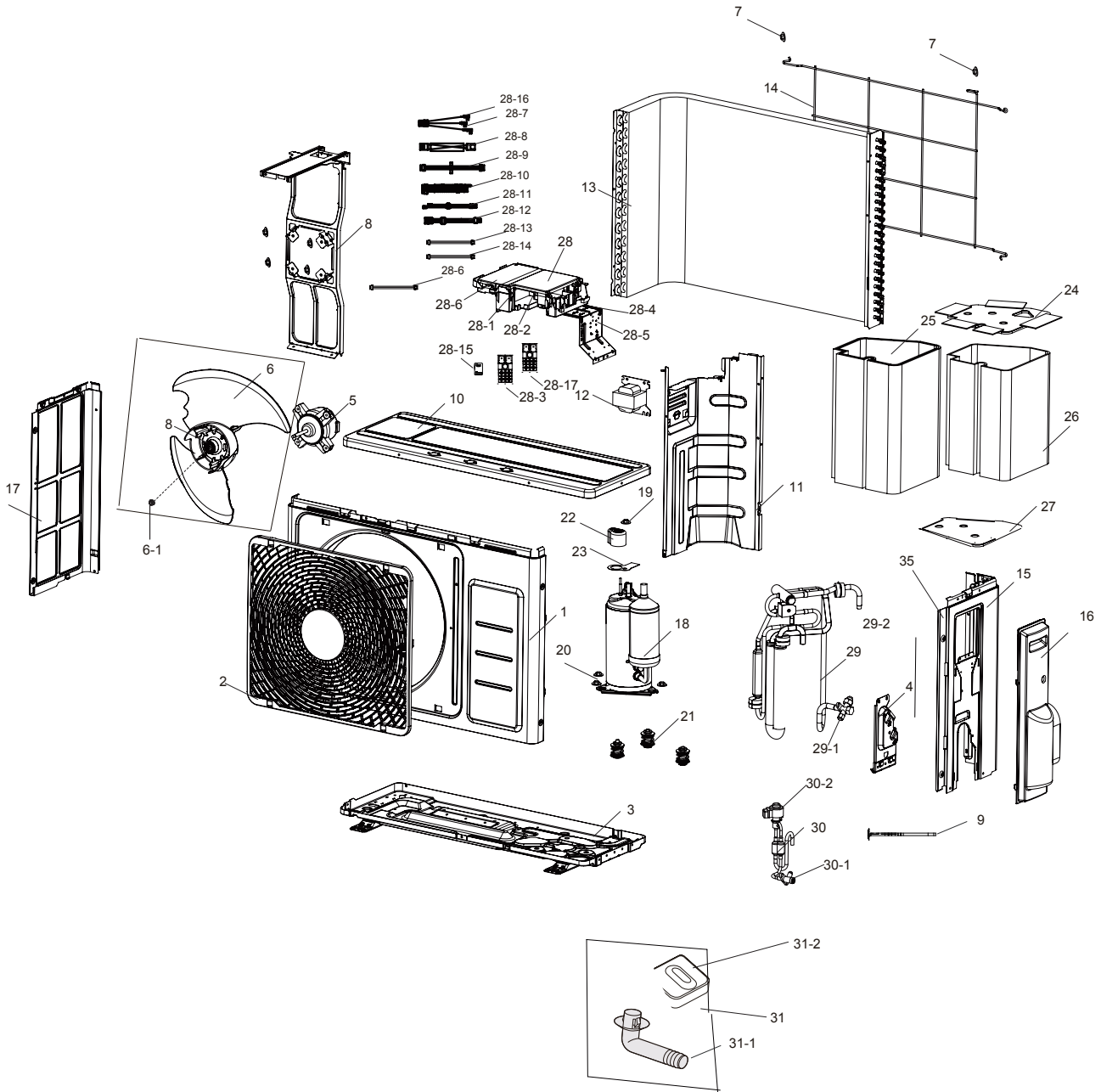


■ OUTDOOR UNIT

AR09JSPFBWKXEU



■ Parts List

No.	Parts Code	Parts Description	Spec	Q'ty	SA/SNA
1	DB90-07137D	ASSY CABI FRONT	AR18JSSPZGM/AZ, SSEC	1	SA
2	DB63-03659A	GUARD FAN	PP, EARTH BROWN	1	SNA
3	DB90-07642B	ASSY BASE OUT	AR12FSSSBWKXSA, SI, A3050	1	SA
4	DB90-05738B	ASSY BRACKET-VALVE	AQ18UUAMID, RAC, SSEC, E	1	SA
5	DB31-00642A	MOTOR BLDC FAN	SIC-67FV-F139-1(A), 1000, 3	1	SA
6	DB94-02657A	ASSY FAN PROPELLER	INV, SSEC	1	SA
6-1	DB60-00437A	FASTENER-NUT FLANGE	SWRCH10A	1	SA
7	6009-001369	SCREW-HEX	HWH, +, WP, M4, L12,	2	SNA
8	DB90-06219D	ASSY BRACKET MOTOR	RJ040F2HXEA	1	SA
9	DB81-00635A	SPRING ETC-SENSOR	DVM-SYSTEM, STS304, R2. 5	2	SA
10	DB90-07138A	ASSY CABINET-UPPER	AQ18UUBMID, RAC, SSEC	1	SA
11	DB94-02998C	ASSY PARTITION	Maldives, SSEC	1	SA
12	DB27-00041B	COIL CHOKE	Forte, 5mH, 10%,	1	SA
13	DB96-18248A	ASSY COND	SI COND, ASSY, 2R, 24Step	1	SA
14	DB90-07144A	ASSY-SCREEN COND BAR	SI-PJT, SSEC	1	SA
15	DB90-07139C	ASSY-CABI SIDE RH	AQ18UUBMID, SSEC, WB	1	SA
16	DB90-07140C	ASSY COVER-VALVE	AR12FSSYAWTXEU, SSEC, ASS	1	SA
17	DB90-05857A	ASSY CABI LF	SI chassis,	1	SA
18	UG9T115FUAEQSS	-	-	1	SA
19	6021-001142	NUT-HEXAGON FLANGE	M5, ZPC (WHT), SWRCH10A,	1	SA
20	DB60-30028A	NUT-FLANGE	HWH, M8, ZPC (WHT)	3	SA
21	DB63-03386A	GROMMET ISOLATOR	NR, 33, 11. 5, 34, BLACK	3	SA
22	DB63-02310A	COVER TERMINAL	SABIC N1250, 2. 5,	1	SA
23	DB63-00817B	GASKET	A/C model, SIR,	1	SA
24	DB63-02165A	FELT-COMP TOP OUT	INV, FELT+EVAR, T5+T1. 6,	1	SA
25	DB63-02858A	FELT-COMP	JUNGFRAU, PVC+FELT	1	SNA
26	DB63-02866A	FELT-COMP OUT	SI-PJT, FELT+PVC	1	SNA
27	DB63-03383A	FELT-COMP BASE	SI, FELT, T5, 272, 240	1	SNA
28	DB93-14201B	ASSY CONTROL OUT	HP, INV, 18K, -	1	SNA
28-1	DB92-02866A	ASSY PCB MAIN	OUTDOOR, A3050	1	SA
28-2	DB93-14277A	ASSY CONNECTOR WIRE-DC SIGNAL	3, 1007, 22,	1	SA
28-3	DB65-00274A	TERMINAL BLOCK	TERMINAL BLOCK	1	SA
28-4	DB61-05883B	CASE CONTROL	A3050 (F-XS-02/03)	1	SA
28-5	DB61-05897A	PLATE CONTROL	A3050 F-XS-03 (SI)	1	SNA
28-6	DB92-02862A	ASSY MODULE	STD #4 SMPS, A3050	1	SA
28-7	DB93-12121A	ASSY CONNECTOR WIRE-EARTH WIRE	1, 1015, 18	1	SA
28-8	DB93-11244A	ASSY CONNECTOR WIRE	3, 1331, 16, RED, MG6150	1	SA
28-9	DB93-09495J	ASSY CONNECTOR WIRE	2, 1015, 14, BRN, 175022	1	SA
28-10	DB93-14285A	ASSY CONNECTOR WIRE-COMM	2, 1007, 22, RED, Y	1	SA
28-11	DB93-09493C	ASSY CONNECTOR WIRE	2, 1015, 16, WHT, DBT081	1	SA
28-12	DB93-14275A	ASSY CONNECTOR WIRE-POWER	2, 1015, 22, BRN,	1	SA
28-13	DB93-14276A	ASSY CONNECTOR WIRE-DC SIGNAL	3, 1007, 22,	1	SA
28-14	DB95-05164A	ASSY THERMISTOR OUT	103AT, 6P, 600/280/760	1	SA
28-15	DB82-01931A	A/S ASSY-EEPROM OUT	AR12HSSFBWKXEU, EU, NE	1	SA
28-16	DB93-09497E	ASSY CONNECTOR WIRE	3, 1015, 16, RED, MG6250	1	SA
28-17	DB65-00298B	TERMINAL BLOCK	11R RAC-INVERTER	1	SA
29	DB96-18813B	ASSY TUBE 4WAY	AR09HSSDBWKXEU	1	SA
29-1	DB62-02284A	VALVE SERVICE-SPINDLE	. , 3/8", R410A, FLAR	1	SA
29-2	DB96-06998F	ASSY-SOLENOID COIL	WW3, SSEC	1	SA
30	DB96-18812C	ASSY TUBE EEV	AR09HSSDBWKXEU	1	SA
30-1	DB62-02283A	VALVE SERVICE-SPINDLE	. , 1/4", R410A, FLAR	1	SA
30-2	DB62-04266A	VALVE EXPAN	SUS, 1. 4, 500	1	SA
31	DB97-02066C	ASSY ACCESSORY	HP, NO, 18000, NO, -	1	SA
31-1	DB67-20011A	DRAIN-PLUG OUT	ASH-1814ER, PP, WHITE	1	SA
31-2	DB73-20134A	RUBBER-LEG	V2-MD, NR, 55	4	SA