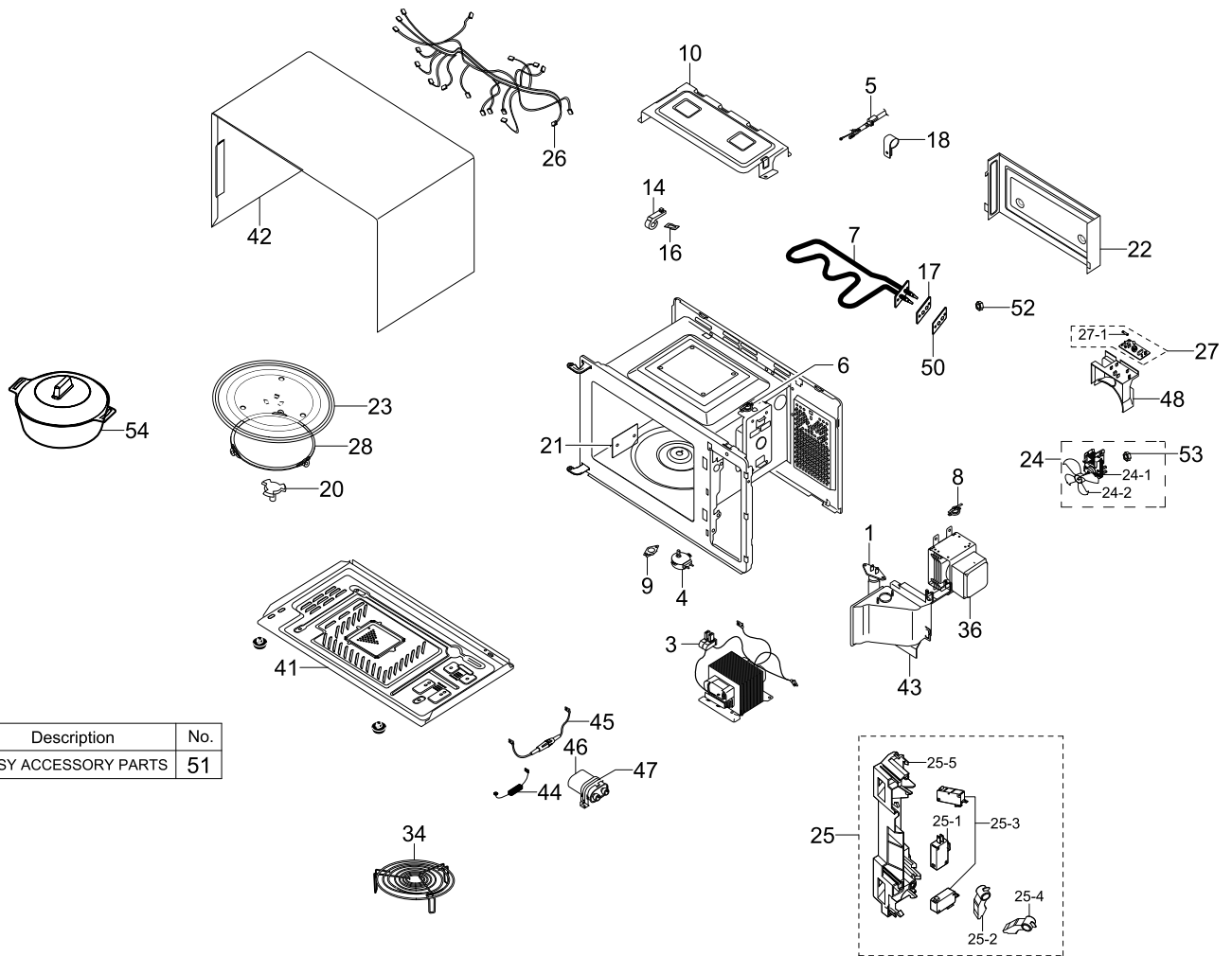


1. Main

Exploded View



Description	No.
ASSY ACCESSORY PARTS	51

Parts List

No.	Lvl.	Loc.	Material Code	Description & Specification	SNA	Qty.
1	2	M036	4713-001524	LAMP-INCANDESCENT; 230V,20W	SA	1
3	2	M038	DE26-00144A	TRANS H.V; SHV-EURO4-1,230V,50Hz,2380V/3.	SA	1
4	2	M049	DE31-10154D	MOTOR SYNCHRONOUS; SSM-16H,CMO,FREE,5/6 R	SA	1
5	1	M015	DE96-00385E	ASSY POWER CORD; CEE,Straight,250V/10A,H0	SA	1
6	2	M451	DE47-20032B	THERMOSTAT; NT-101,125/250V,85 \hat{A} \pm 5,75 \hat{A} \pm 5,1	SA	1
7	2	H061	DE47-00016C	HEATER SHEATH; SHG-EGE86A,GE86V-SS,1100W(SNA	1
8	2	M436	DE47-20009A	THERMOSTAT; NT-101,125/250V,150(160 \hat{A} \pm 7,60	SA	1
9	2	M447	DE47-20010A	THERMOSTAT; NT-101,125/250V,120 \hat{A} \pm 5,60 \hat{A} \pm 15	SA	1

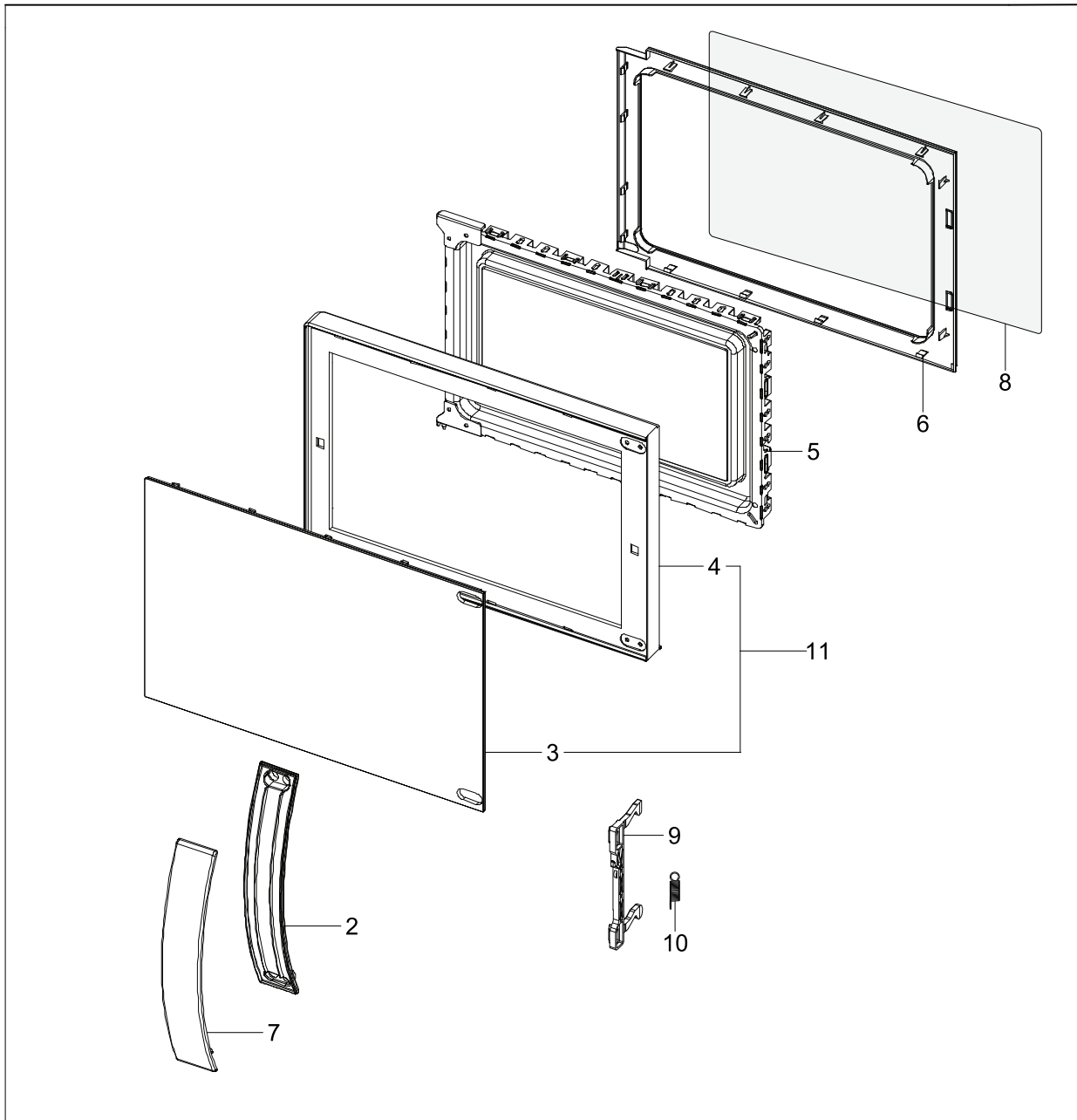
Exploded Views and Parts List

No.	Lvl.	Loc.	Material Code	Description & Specification	SNA	Qty.
10	2	M003	DE61-01318A	BRACKET-UPPER(GRILL); 0.8 Chic,EGI-SECC,T	SA	1
14	2	M535	DE61-30008A	SUPPORT-HEATER; GE87H/BAL,ALUMINA,T12,W11	SA	1
16	2	M005	DE61-70060A	SPRING-PLATE; SK5,T0.5	SA	1
17	2	M008	DE63-00049A	GASKET-HEATER; CE2613N,BRASS,T1.0,W53,L15	SA	1
18	2	M483	DE65-20014A	CABLE CLAMP; NY-66,DA-6N	SA	1
20	2	M034	DE67-00258A	COUPLER; 0.7ECO PLATFORM,PPS,BROWN	SA	1
21	2	M051	DE71-00159A	COVER-CEILING; CN2835,MICA SHEET,T0.3,W11	SA	1
22	2	P186	DE63-00678A	COVER-BACK; 0.8 chic,EGI-SECC,T0.5,GRILL	SA	1
23	2	T001	DE74-20102D	TRAY-COOKING; G643C-1(3RD-0.6),GLASS,T6,-	SA	1
24	2	M020	DE96-00848A	ASSY MOTOR FAN; MW73BR,SMF-E73A,230V 50Hz	SA	1
24-1	3	M023	DE31-10184J	MOTOR FAN; SMF-E73A,230V/50Hz,2450rpm,9T	SA	1
24-2	3	H018	DE31-00063A	BLADE-FAN; 0.7ECO PLATFORM,PP,GREY	SA	1
25	1	B022	DE94-02317B	ASSY BODY LATCH; RE-C21VB,GERSUNG u-swotc	SA	1
25-1	2	B046	3405-001032	SWITCH-MICRO; 125/250VAC,16A,200GF,SPDT	SC	1
25-2	2	B010	DE66-00093A	LEVER-SWITCH(A); NC2000,PP,NTR,HANDLE	SC	1
25-3	2	S0021	3405-000178	SWITCH-MICRO; 250V,16A,200gf,SPST-NO	SNA	2
25-4	2	B011	DE66-00094A	LEVER-SWITCH(B); NC2000,PP,NTR,HANDLE	SA	1
25-5	2	B077	DE66-00231A	LATCH-BODY(HANDLE); 0.8 CHIC,PP,WHITE	SA	1
26	1	W001	DE96-00865A	ASSY WIRE HARNESS; GS89F,0.8 CHIC,220V50H	SNA	1
27	2	M017	DE96-00399A	ASSY NOISE FILTER; MW840,SN-UF11A,250V15A	SA	1
27-1	3	M019	3601-001197	FUSE-CARTRIDGE; 250V,15A,SLOW-BLOW,CERAMI	SA	1
28	2	T165	DE94-02266D	ASSY GUIDE ROLLER; MW73BR/BWT (ECO),SPS,T	SA	1
34	2	T030	DE74-70071D	RACK-WIRE; 0.7/NC2000,MSWR-SWRM,PI3,D230,	SA	1
36	2	M035	OM75P(31)ESGN	ASSY-MGT; ASSY-MGT		1
41	2	M048	DE61-01262A	BASE-PLATE; 0.7ECO PLATFORM,GI-SGCC,T0.5	SA	1
42	1	M001	DE64-02356D	PANEL-OUTER; GS89-S,EGI-SECC,T0.4,488.8,B	SA	1
43	2	M037	DE63-00651A	COVER-AIR; 0.7ECO PLATFORM,GI-SGCC,T0.4	SA	1
44	2	M527	DE59-00002A	DIODE-H.V; MWO ALL,2CL4512H,-,450mA 13KV,	SC	1
45	2	M042	DE91-70061C	ASSY H.V.FUSE; -,THV060T-0700-H,5KV/0.70A	SA	1

No.	Lvl.	Loc.	Material Code	Description & Specification	SNA	Qty.
46	2	M039	2501-001011	C-OIL; 910nF,2100V,BK,54x35x75mm,20mm	SA	1
47	2	M040	DE61-01263A	BRACKET-HVC; 0.7ECO PLATFORM,GI-SGCC,T0.6	SA	1
48	2		DE63-00652B	COVER-BLOWER (GRILL); 0.7ECO PLATFORM,PP,	SA	1
50	2	M094	DE63-00048A	GASKET-STOPPER; CE2613N,EGI-SECC,T1.0,W53	SA	1
51	1		DE94-02801A	ASSY ACCESSORY PARTS; GE82V-SS/XEG,DEUTCH	SA	1
52	2	H024	DE60-30016A	NUT-FLANGE; MSWR-SWRM,MSWR10	SA	2
53	2	H024	DE60-30016A	NUT-FLANGE; MSWR-SWRM,MSWR10	SA	2
54	2	T023	DE94-01769B	ASSY-STEAM BOWL; STEEL HEART,PP,-	SA	1

1.1. Assy Door

Exploded View



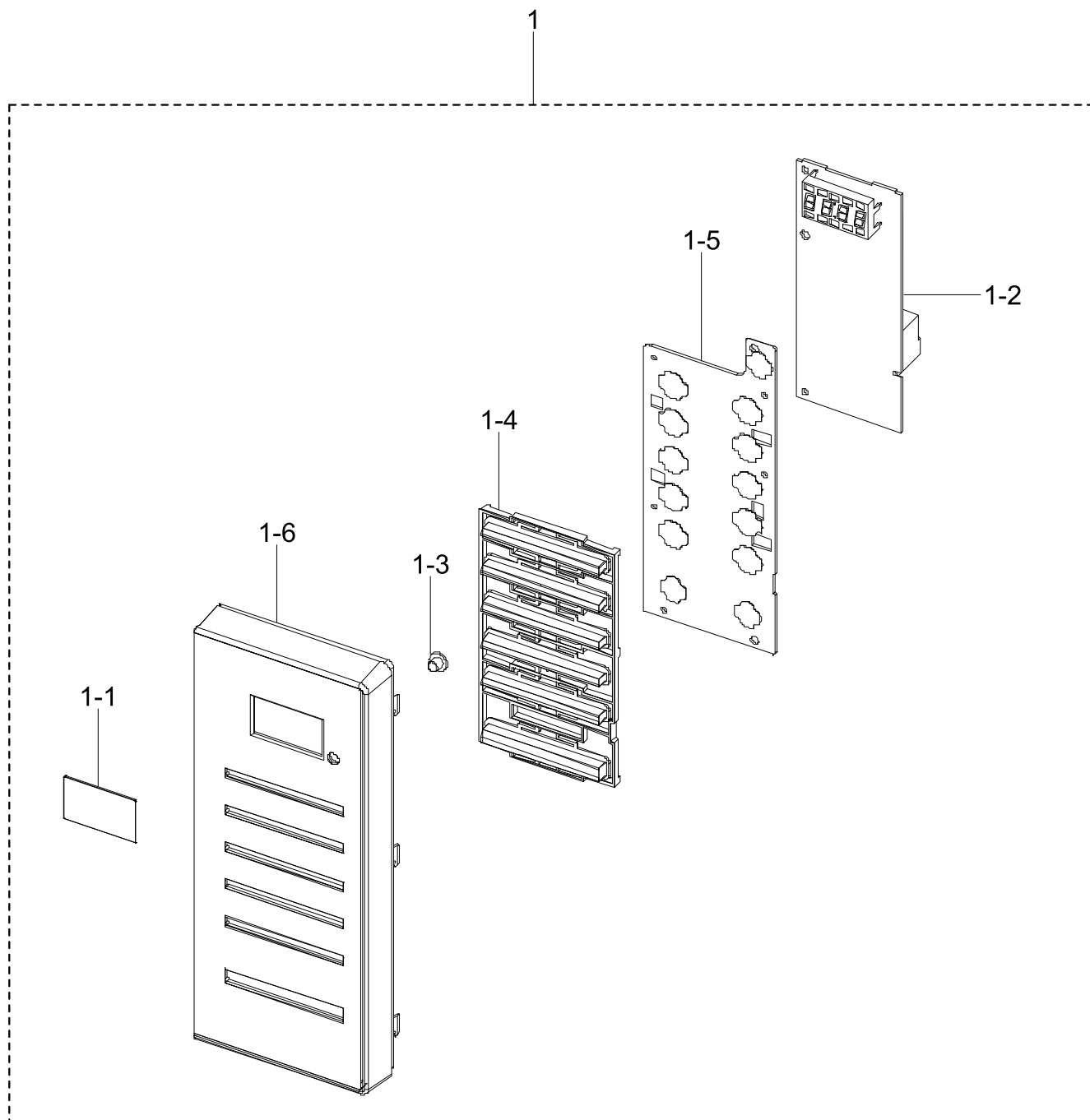
Parts List

No.	Lvl.	Loc.	Material Code	Description & Specification	SNA	Qty.
1	1	D049	DE94-02447D	ASSY DOOR; GE86V-BB/XEO,ABS,BLACK (COVER)	SA	1
2	3	D019	DE64-02506A	HANDLE-DOOR; MUSE2 0.7 & 0.8,ABS,BLACK,MUSE	SNA	1
3	3	D024	DE64-02505A	SCREEN-DOOR(B); MUSE2 0.7 & 0.8,SAN,MUSE2	SA	1

No.	Lvl.	Loc.	Material Code	Description & Specification	SNA	Qty.
4	3	D002	DE64-02504A	DOOR-A; MUSE2 0.7/0.8,ABS,EBONY-BLACK,MUS	SNA	1
5	2	D004	DE94-02262C	ASSY DOOR E-COATING; MW73B/XEF,GA T0.5,BL	SA	1
6	2	D006	DE64-02354A	DOOR-C; 0.7ECO PLATFORM,PP,BLACK	SA	1
7	3	D026	DE63-00700A	COVER-HANDLE; MUSE2 0.7 & 0.8,ABS,NEO SILVE	SA	1
8	2	D005	DE64-00221E	FILM-DOOR; -,CE2877N,PET,T0.15,W143,L264,	SA	1
9	2	D011	DE64-02430A	DOOR-KEY; 0.8 Chic,POM,BLACK,Chic project	SA	1
10	2	D007	DE61-00193A	SPRING-KEY; MW1255,HSWR-SWRH,PI0.6,D5.5,L	SA	1
11	2	D037	DE94-02448A	ASSY DOOR A; 0.8 MUSE2,ABS HG-0760SR,blac	SA	1

1.2. Assy Control

Exploded View



Parts List

No.	Lvl.	Loc.	Material Code	Description & Specification	SNA	Qty.
1	1	C082	DE94-03008B	ASSY CONTROL BOX; ME86V-WW/BAL,230V/50HZ,	SNA	1
1-1	2	C009	DE64-02517A	WINDOW-DISPLAY; MUSE2,SAN,BLACK,MUSE2	SA	1
1-2	2	F316	DE92-03439M	ASSY PCB MAIN; GE76V-WW/BOL,RCS-SMS3L-295	SA	1
1-3	2	C035	DE64-02514A	BUTTON-CLOCK; MUSE2,ABS,BLACK,MUSE2	SA	1
1-4	2	C011	DE64-02519C	BUTTON-SELECT-A; GE86V-BB/XEO,ABS,BLACK,M	SA	1
1-5	2	C084	DE96-00909A	ASSY KEY MODULE; MW86V/XEF,DKM-ME87V-00,0	SA	1
1-6	2	C005	DE64-02518E	CONTROL-PANEL; GE86V-BB/XEO,ABS,EBONY-BLA	SA	1