

S/M No.: FRXY601202

# Service Manual

## Refrigerator

*FRS-X22B3..*  
*FRN-X22B3..*

*FRS-X22D3..*  
*FRN-X22D3..*  
*FRS-Y22D3..*  
*FRN-Y22D3..*

*FRS-X22F3..*  
*FRN-X22F3..*  
*FRS-Y22F3..*  
*FRN-Y22F3..*



*FRX-623B..*



*FRX-603D..*  
*FRY-603D..*

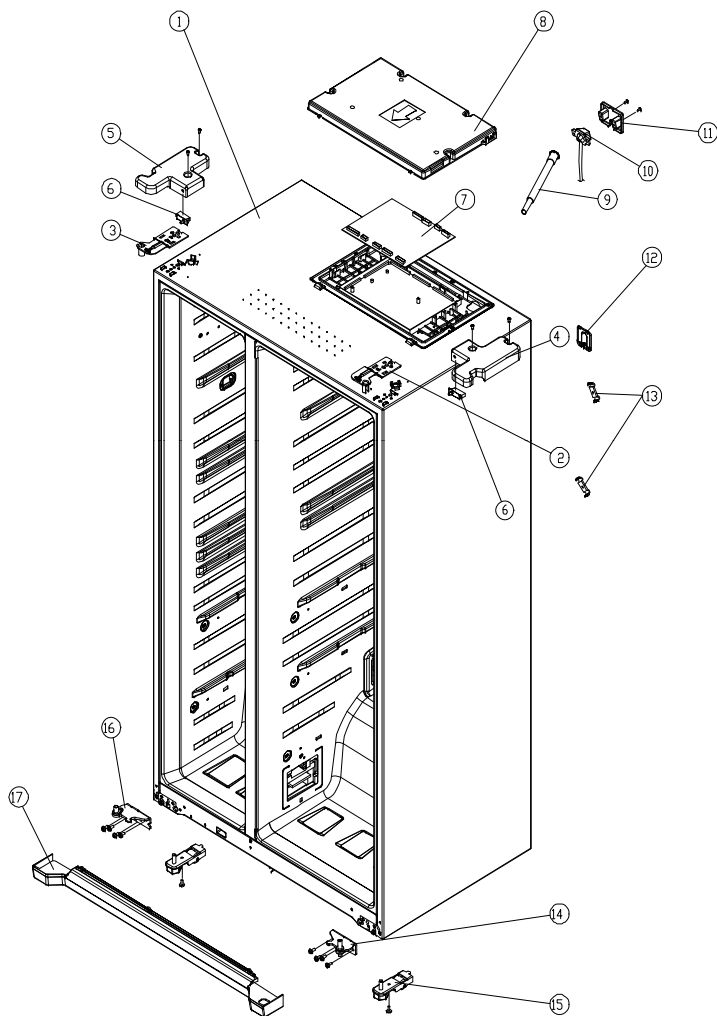


*FRX-603F..*  
*FRY-603F..*

**DAEWOO**  
ELECTRONICS

### ✓ Caution

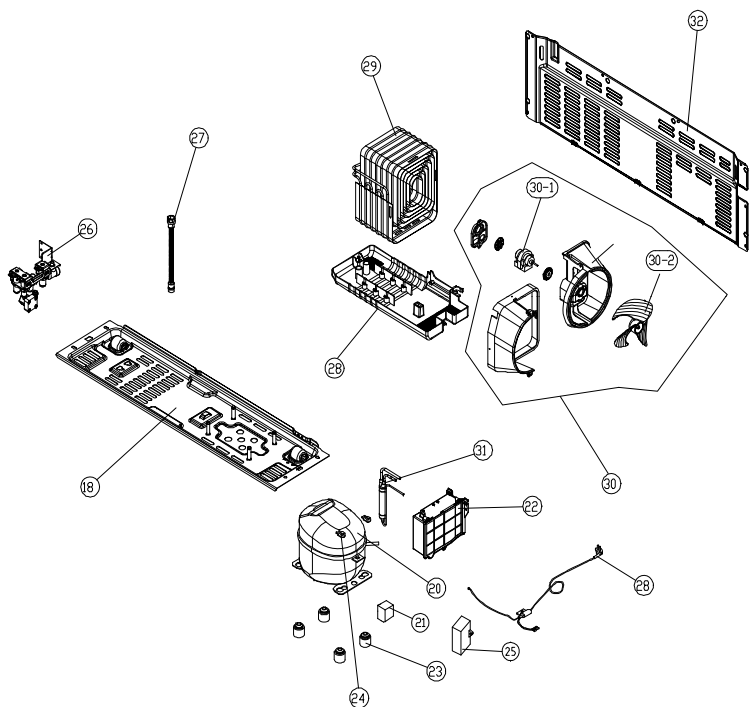
In this manual, some parts can be changed for improving their performance without notice. So, If you need the latest parts information, please visit and refer to PPL (Parts Price List) in Service Infomation Center. ( <http://svc.dwe.co.kr> )



NO	PART-CODE	PART NAME	SPEC.	Q'ty	
				Basic Model	Dispenser Model
1	-	ASSY CAB URT	-	1	1
2	3012933100	HINGE *T *R	PO T3.0+PAINT	1	1
3	3012933000	HINGE *T *L	PO T3.0+PAINT	1	1
4	3001434900	COVER HI *T *R	PP	1	1
5	3001434800	COVER HI *T *L	PP	1	1
6	3001434800	SWITCH H/BAR DR AS	SP101B-2DI	2	2
7	3014HR070	PCB MAIN AS	X22B	1	x
	30143HR080		22D3..(Non Inverter Comp.)	x	1
	30143HJ080		22D3..(Inverter Comp.)		1
	30143HR060		22F3..(Non Inverter Comp.)		
	30143HJ060		22F3..(Inverter Comp.)		
8	3011446001	COVER M/PCB BOX	PP(FB-72)	1	1
9	3013226800	HOSE ICE MAKER TUBE AS	220~240V/5W	x	1
			110~127V/5W		
10	3012540200	GUIDE CAB W/TUBE A AS	X22.. MODEL	x	1
			Y22.. MODEL	x	1
11	3011444100	COVER GUIDE CAB W/T A	PP	x	1
12	3001424100	COVER GUIDE CAB W/FILT	PP	x	1
13	3011203200	CLAMP W/TUBE C	HIPS	x	2
14	3012933500	HINGE *U *R AS		1	1
15	3010673800	BRACKET ADJ FOOT AS		1	1
16	3012933400	HINGE *U *L AS		1	1
17	3001433900	COVER CAB BRKT AS	PP	1	1

- Some parts can be chaged for improving their performance without notice.

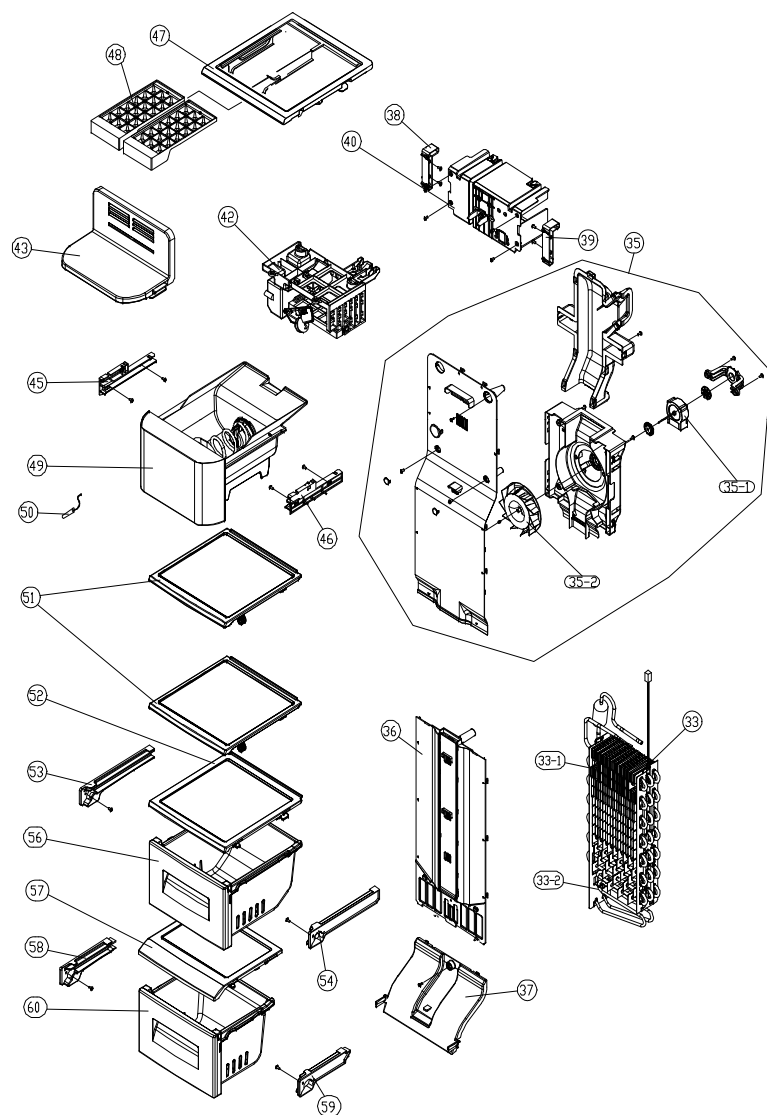
No	Date	Note	Remark



NO	PART-CODE	PART NAME	SPEC.	Q'ty	
				Basic Model	Dispenser Model
18	3010359600	BASE COMP AS	-	1	1
19	OPTION	CORD POWER AS	COUNTRY Dependent	1	1
20	3956183H4B	COMPRESSOR	MK183H-L2UB(220V/60HZ)	1	1
	3956183D2B		MK183D-L2UB(110~127V)		
	3956183Q5B		MK183Q-L2UB(220~240V/50Hz)		
	3956112250		DG125E11RAW5(220~240V/50Hz)		
	3956114M80		LQ140NAEM(220~240V/50Hz)		
	3959115280		EU4A5Q-L2X, Inverter Comp.	x	
21	3018129720	SWITCH P RELAY AS	265RFB, J531Q34E220M(MK183H-L2UB	1	1
	3018129710		445PHB, J531Q32E6R8M(MK183D-L2UB		
	3018129600		265RHB, J531Q35E330M(MK183Q-L2UB		
	3018129650		232NFB, PTH7M330MD2(DG12E11RAW		
	3018133900		4TM205RFB, 330M(LQ140NAEM)		
	3018133800		4TM319SFB(EU4A5Q), Inverter Comp.	x	
22	3814300300	BOX INVERTER AS	PP(EU4A5Q Only), Inverter Comp.	x	1
23	3010101600	ABSORBER COMP	NBR	4	4
	3010101480	ABSORBER COMP AS	NBR+SPRING		
24	3016002500	COMP WASHER	SK-5 T0.8	4	4
25	3016406100	CAPACITOR RUN	400VAC/5 μF (WIRE,P2)	1	1
	3016405900		350VAC/5 μF (WIRE, P2)		
	3016405020		250VAC/12 μF (WIRE,P2)		
26	3015406900	VALVE WATER AS	220~240V(Y22..MODEL)	x	1
	3015406910		110~127V(Y22..MODEL)		
	3015402300		220~240V(X22..MODEL)		
	301542310		110~127V(X22..MODEL)		
27	3013201700	HOSE DRN B	PE FRB-5970NB	x	1
28	3011199L00	CASE VAPORI AS	FRX-621B	1	1
29	3014467200	PIPE WICON AS	TWS OD4.76*0.7	1	1
30	3018410500	MOUTHBELL AS	FRX-621B	1	1
30-1	3015920900	MOTER C FAN	D4612AAA31	1	1
30-2	3011836300	FAN	PP OD3.17*D150	1	1
31	3019808100	DRYER AS	C1220T-M OD19.05*L135	1	1
32	3001436500	COVER MACH RM AS		1	1

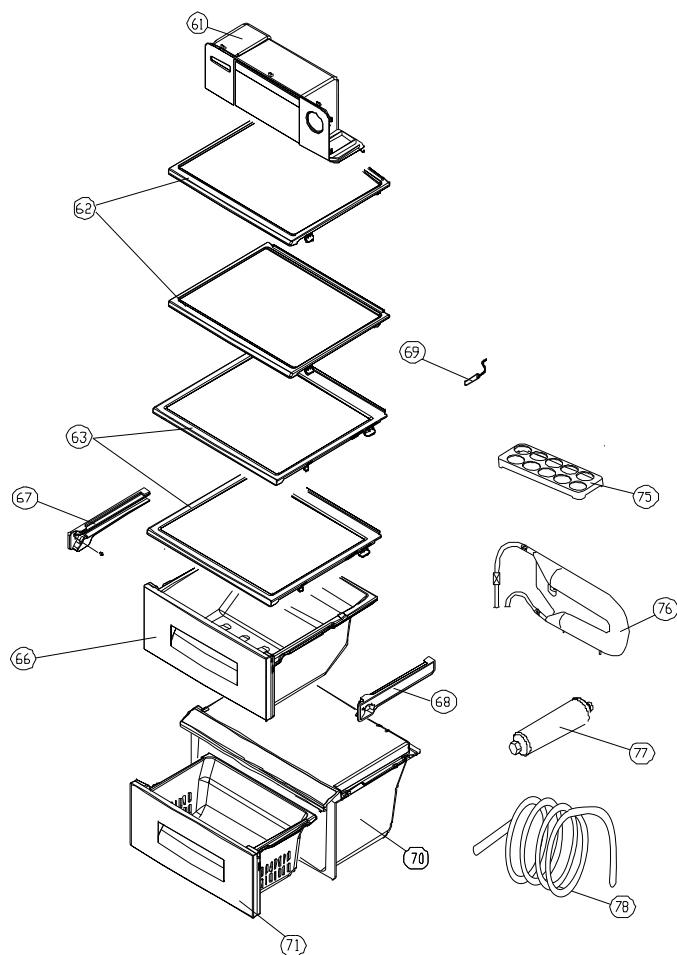
- Some parts can be chaged for improving their performance without notice.

## F-ROOM PARTS



NO	PART-CODE	PART NAME	SPEC.	Q'ty	
				Basic Model	Dispenser Model
33	3017068900	EVA AS	220-240V, 280W	1	1
	3017068910		110-127V, 250W		
33-1	3014809500	SENSOR D AS	PBN-43	1	1
33-2	3012824210	HEATER SHEATH AS	220-240V, 280W	1	1
	3012824220		110-127V, 250W		
35	3018928600	LOUVER F A AS	FRY-621B	1	1
35-1	3015920700	MOTOR F FAN AS		1	1
35-2	3011836400	FAN F		1	1
36	3018928900	LOUVER F B AS	FRY-621B	1	1
37	3001434700	COVER F RETURN	HIPS	1	1
38	3012517800	GUIDE G MOTR BRKT*L	ABS		1
39	3012517900	GUIDE G MOTR BRKT*R	ABS		1
40	3010673600	BRACKET GEARED MOTR AS	FRX-601D, 220-240V	x	1
	3010673610		FRX-601D, 110-127V		
42	3012231400	FRAME I/MAKER AS	FRX-601D		1
43	3001435000	COVER I/CRUSHER*T	HIPS		1
45	3012538200	GUIDE I/CRUSHER *L	ABS		1
46	3012538100	GUIDE I/CRUSHER *R	ABS		1
47	3017851700	SHELF F ICE AS	FRX-621B	1	x
48	3011186300	CASE ICING	PP	2	x
49	3011199K00	CASE I/CRUSHER AS	FRX-601D	x	1
50	3014809300	SENSOR F AS	PT-38	1	1
51	3017851200	SHELF F AS		2	2
52	3001438000	COVER F CASE*T AS		1	1
53	3012514512	GUIDE CASE A *L AS	FR-S580EG(PP)	1	1
54	3012514612	GIDUE CASE A *R AS	FR-S580EG(PP)	1	1
56	3011124000	CASE F*T AS		1	1
57	3001434500	COVER F CASE *U	HIPS	1	1
58	3012529712	GUIDE CASE C *L AS	FRU-5711(PP)	1	1
59	3012529812	GUIDE CASE C *R AS	FRU-5711(PP)	1	1
60	3011124100	CASE F*U AS	FRX-621B	1	1

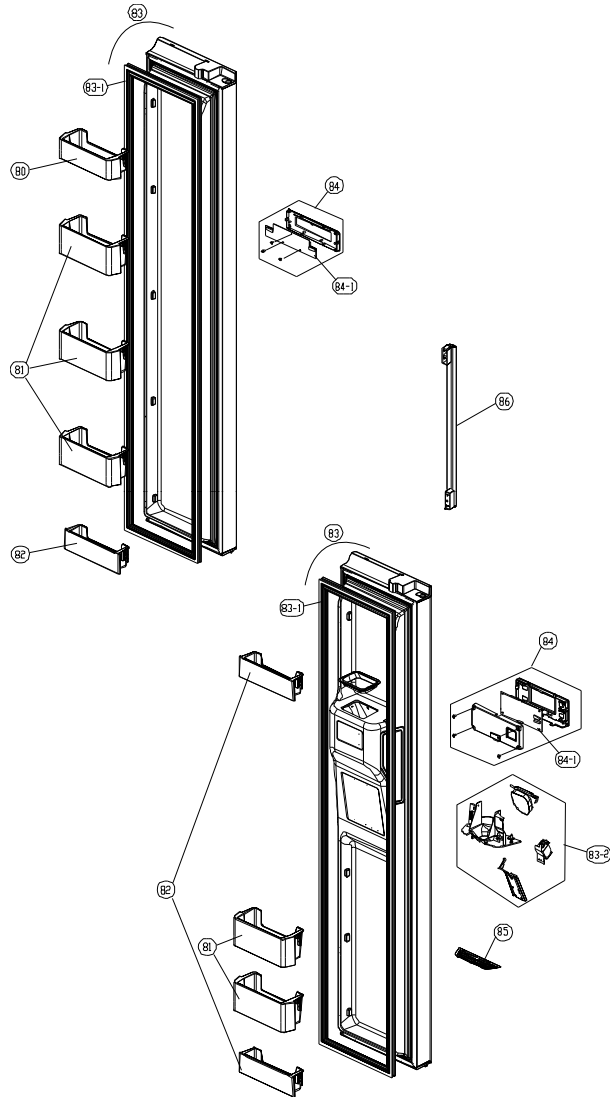
- Some parts can be chaged for improving their performace without notice.



NO	PART-CODE	PART NAME	SPEC.	Q'ty	
				Basic Model	Dispenser Model
61	3001436900	COVER DAMPER AS	FRS-X22B, FRS-X22D..	1	1
	3001436910		FRS-Y22D..	x	
62	3017851300	SHEPLF R AS	FRX-621B	2	2
63	3001437200	COVER VEGETB CASE AS	FRX-621B	2	2
66	3011199P00	CASE VEGETB* M AS	FRX-621B	1	1
67	3012514512	GUIDE CASE A *L AS	FR-S580EG(PP)	1	1
68	3012514612	GIDUE CASE A *R AS	FR-S580EG(PP)	1	1
69	3014809400	SENSOR R AS	PBN-43B	1	1
70	3001438100	COVER CHANGE RM AS	FRX-601G	1	1
71	3011124200	CASE VEGETB *U AS	FRX-621B	x	x
75	3011190800	CASE EGG TRAY	GPPS(CRYSTAL)	1	1
76	3018201000	TANK WATER AS	FRU-541D	x	1
77	3019974800	S/PART FILT WATER AS	X22.. MODEL	x	1
	3019986700		Y22.. MODEL	x	
78	3019974020	S/PART W/TUBE AS	X22.. MODEL	x	1
	3019974070		Y22.. MODEL	x	

- Some parts can be chaged for improving their performance without notice.

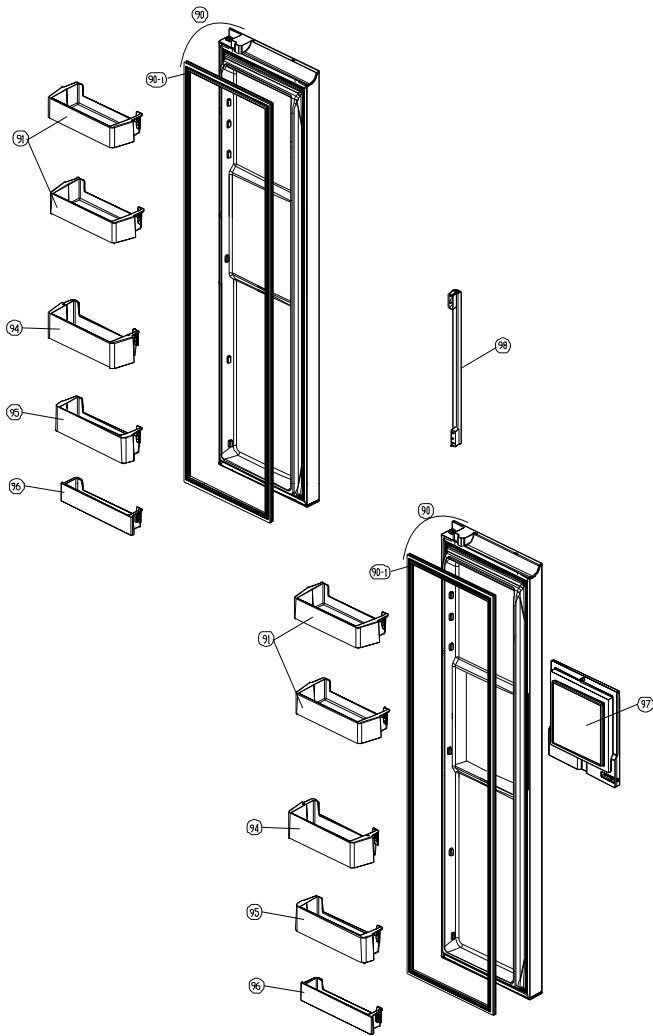
No	Date	Note	Remark



NO	PART-CODE	PART NAME	SPEC.	Q'ty	
				Basic Model	Dispenser Model
80	3019058000	POCKET F*T	GPPS	x	2
81	3019057900	POCKET F*M	GPPS	1	x
82	3019058100	POCKET F*U	GPPS	3	2
83	30100A4H70	ASSY F DR	FRX-623, DWH1C	1	X
	30100A4H60		FRX-623, TSH5E		
	30100B7210		FRX-603, DWH1C	x	1
	30100B7200		FRX-603, TSH5E		
83-1	3012318860	GASKET F DR AS	FRX-621B	1	1
83-2	3010574300	BOX DISPNS I/SHUT AS	220-240V/50Hz	x	1
	3010574310		110-127V/60Hz		
84	3014250900	COVER F PCB AS	FRX-623	1	x
	3014250700	PANEL *F CONTL AS	FRX-603	x	1
84-1	30143JP160	PCB FRONT AS	FRX-623	1	x
	30143JM160		FRX-603	x	1
85	3012407800	GRILLE DISPS	ABS	x	1
86	3012657810	HANDLE F DR AS	FRX-603F, SPRAY	1	1

- Some parts can be chaged for improving their performace without notice.

No	Date	Note	Remark



NO	PART-CODE	PART NAME	SPEC.	Q'ty	
				Non H/Bar Door	H/Bar Door
90	30100B7710	ASSY R DR	FRX-603D, DWH1C	1	x
	30100B7700		FRX-603D, TSH5E		
	N/D		FRX-603F, DWH1C	x	1
	N/D		FRX-603F, TSH5E		
90-1	3012318960	GASKET R DR AS	PVC+MAGNET	1	1
91	3019058420	POCKET R*T	GPPS	2	2
94	3019058600	POCKET R H/BAR	GPPS	1	1
95	3019058300	POCKET R*M	GPPS	1	1
96	3010058500	POCKET R*U	GPPS	1	1
97	3001707720	DOOR H/BAR AS	TITANIUM	1	1
	3001707730		WHITE		
98	3012657910	HANDLE F DR AS	FRX-603F, SPRAY	1	1

- Some parts can be chaged for improving their performance without notice.

No	Date	Note	Remark