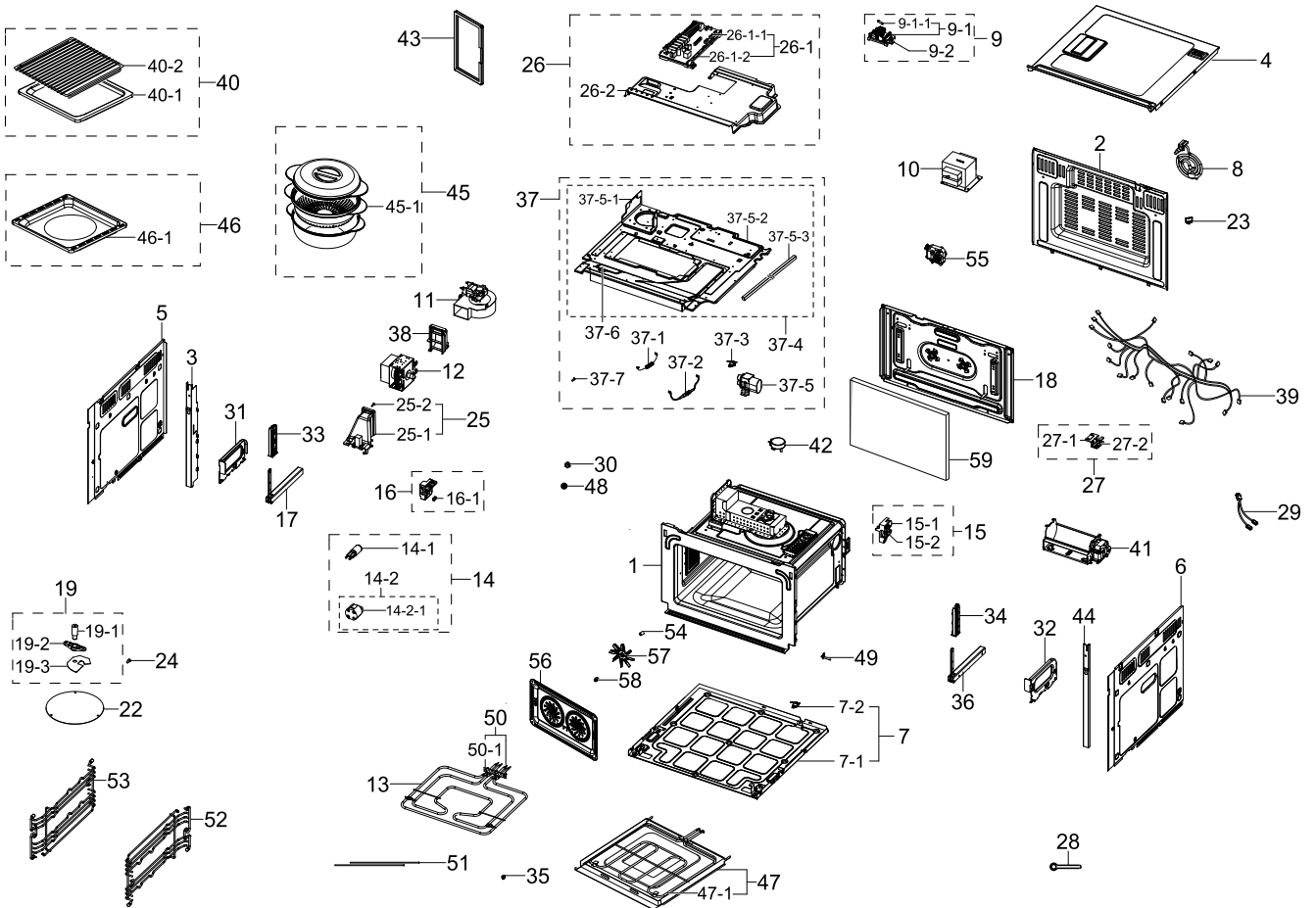


# 1. NQ50H5533KS/EO

## Exploded View



## Parts List

No.	Lvl.	Loc.	Material Code	Description & Specification	SNA	Qty.
1	2	P141	DG94-00788D	ASSY CAVITY-COATING; NQ50J5530BS,50L,ENAM	SNA	1
2	2	P186	DG63-00296A	COVER BACK; NQ50C7535DS,GI-SGCC,T0.5,W495	SA	1
3	2	P140	DG64-00417A	TRIM-L; NQ50C7535DS,EGI-SECC,T0.8,BLACK	SA	1
4	2		DG64-00418A	PANEL OUTER-TOP; NQ50C7535DS,GI-SGCC,T0.5	SA	1
5	2		DG64-00419A	PANEL OUTER-LEFT; NQ50C7535DS,GI-SGCC,T0.	SA	1
6	2		DG64-00419B	PANEL OUTER-RIGHT; NQ50C7535DS,GI-SGCC,T0	SA	1
7	2	M155	DE94-04136A	ASSY BASE PLATE; NQ50C7535DS/EU	SA	1
7-1	3	M048	DG61-00687A	BASE PLATE; NQ50C7535DS,GI-SGCC,T0.8,W593	SNA	1
7-2	3	M460	DE47-20196C	THERMOSTAT; 125/250V,15/7.5A,100,0,GE-Sur	SA	1

## Exploded Views and Parts List

No.	Lvl.	Loc.	Material Code	Description & Specification	SNA	Qty.
8	2	M015	DE96-00252D	CBF-POWER CORD; AT,EUROPE/KOREA,EU3E,,,,G	SA	1
9	2		DG94-00790A	ASSY HOLDER NOISE FILTER; NQ50C7535DS	SNA	1
9-1	3	M017	DE96-00399F	ASSY NOISE FILTER; SN-UF11F,250V/15A,250V	SA	1
9-1-1	4	M019	3601-001197	FUSE-CARTRIDGE; 250V,15A,SLOW-BLOW,CERAMI	SA	1
9-2	3	M264	DE61-01469A	HOLDER NOISE FILTER; MC324GAKCBB,PP,WHITE	SA	1
10	2	M038	DE26-00133B	TRANS H.V; SHV-EURO3-2,230V,2440V/3.15V,C	SA	1
11	2	M302	DE31-00058B	MOTOR AC FAN-BLOWER; SMB-E205A,2,230V,50H	SA	1
12	2	M035	OM75P-21-ESGN	ASSY MGT; ASSY MGT		1
13	2	H071	DE47-00056A	HEATER SHEATH-GRILL; AC230V,BKT,1400W/110	SA	1
14	2	M036	DG96-00369A	ASSY LAMP; NQ50H5537,HALOGEN,MARK3_PREZIO	SNA	1
14-1	3	U013	DE47-00040B	LAMP-HALOGEN; 230V,40W,320Lm,13x43,7.5mm,	SA	1
14-2	3		DG96-00370A	ASSY SOCKET LAMP; NQ50H5537,HALOGEN,MARK3	SNA	1
14-2-1	4	M236	DE47-00041A	LAMP SOCKET; 250V,2A,CERAMIC,G9,1,Snap in	SA	1
15	2	B022	DE96-00518C	ASSY BODY LATCH-R; FQ159UST/XSA,TBMO/LEFT	SA	1
15-1	3	B046	3405-001032	SWITCH-MICRO; 125/250VAC,16A,200gf,SPDT,T	SA	1
15-2	3	B048	3405-001034	SWITCH-MICRO; 125/250VAC,16A,200gf,SPST-N	SA	2
16	2	B023	DE96-00694C	ASSY BODY LATCH-L; NQ50C7535DS	SA	1
16-1	3	B048	3405-001034	SWITCH-MICRO; 125/250VAC,16A,200gf,SPST-N	SA	2
17	2	V002	DG94-00762C	ASSY HINGE; NQ50H5537,L,CR-SPCC,T4.0,MK3	SA	1
18	2	M314	DG94-00776H	ASSY COVER BACK-MAIN; NQ50H5537,GI-SGCC	SNA	1
19	2	P001	DG94-00774A	ASSY STIRRER; NQ50C7535DS	SA	1
19-1	3		DG61-00762A	BUSH-STIRRER; AL,ID8.7,OD20.0,L54.5,SILVE	SA	1
19-2	3	T037	DG61-00723A	HOLDER-STIRRER; NQ50C7535DS,TEFLON,WHITE	SA	1
19-3	3	T036	DG61-00697A	BLADE-STIRRER; NQ50C7535DS,AL1050	SNA	1
22	2	M087	DG63-00322A	COVER STIRRER; NQ50C7535DS,MICA SHEET,T0.	SA	1
23	2		6502-001149	SADDLE; TIC-WSD21.5,W30.5,H33.3,T3.5,Nylo	SNA	2

No.	Lvl.	Loc.	Material Code	Description & Specification	SNA	Qty.
24	2	T086	DG61-00093A	CLIP STIRRER-B; FQ159ST,PPS+GF40%,-,XP214	SA	2
25	2		DG94-00792A	ASSY GUIDE AIR MGT; NQ50C7535DS,PA66	SA	1
25-1	3		DG61-00710A	GUIDE AIR MGT-FRONT; NQ50C7535DS,PA66,BLA	SA	1
25-2	3	X009	6006-001176	SCREW-TAPTYPE; PH,+,WT,B,M4,L8,ZPC(WHT),S	SA	2
26	2	M053	DG94-01056B	ASSY GUIDE AIR; NQ50H5533KS/WT,GI-SGCC	SNA	1
26-1	3	C164	DG94-00779H	ASSY HOLDER PCB; NQ50H5533KS/WT,MAIN. NEO	SNA	1
26-1-1	4	F316	DE92-03379K	ASSY PCB MAIN; MARK2-09,NQF700-PJT,240*11	SA	1
26-1-2	4	C195	DG61-00704A	HOLDER PCB-MAIN; NQ50C7535DS,PP,WHITE,V-0	SA	1
26-2	3		DG94-00793A	ASSY GUIDE AIR-SUB; NQ50C7535DS,GI-SGCC	SNA	1
27	2		DG94-00801A	ASSY BRACKET-TCO; NQ50C7535DS,SGCC,T0.5	SNA	1
27-1	3		DG61-00752A	BRACKET-TCO MGT; NQ50C7535DS,GI-SGCC,T0.4	SNA	1
27-2	3	M436	DE47-20009A	THERMOSTAT; 125/250V,15/7.5A,150,60,NORMA	SA	1
28	2	M036	DE65-20029A	CORD CLAMP; GA-SGCC,L94XT0.5,GALVA,BLK,-,	SNA	5
29	2		DG96-00308A	ASSY WIRE HARNESS-L; NQ50C7535DS/CX4411BU	SA	1
30	2	M225	DG94-00823A	ASSY HOLDER RACK; NQ50C7535DS	SA	4
31	2		DG61-00716A	BRACKET HINGE-L; NQ50C7535DS,GI-SGCC,T1.2	SA	1
32	2		DG61-00716B	BRACKET HINGE-R; NQ50C7535DS,GI-SGCC,T1.2	SA	1
33	2	P376	DG61-00730A	SUPPORT HINGE-LEFT; NQ50C7535DS,PBT+GF,GP	SA	1
34	2	M293	DG61-00730B	SUPPORT HINGE-RIGHT; NQ50C7535DS,PBT+GF,T	SA	1
35	2	V031	DE60-10171A	SCREW MACHINE; PWH,+,NO,M5,L4,ZPC(WHT),SW	SNA	4
36	2	V002	DG94-00762D	ASSY HINGE; NQ50H5537,R,CR-SPCC,T4.0,MK3,	SA	1
37	2	P214	DG94-01057E	ASSY BRACKET UPPER; NQ50H5537KB/EO,GI-SGC	SNA	1
37-1	3	M527	DE59-00002A	DIODE-H.V; MWO,2CL4512H/CL04-12A,500mA,12	SA	1
37-2	3	M042	DE91-70061H	ASSY H.V.FUSE; THV060T,5KV,900mA,SCREW,WH	SA	1

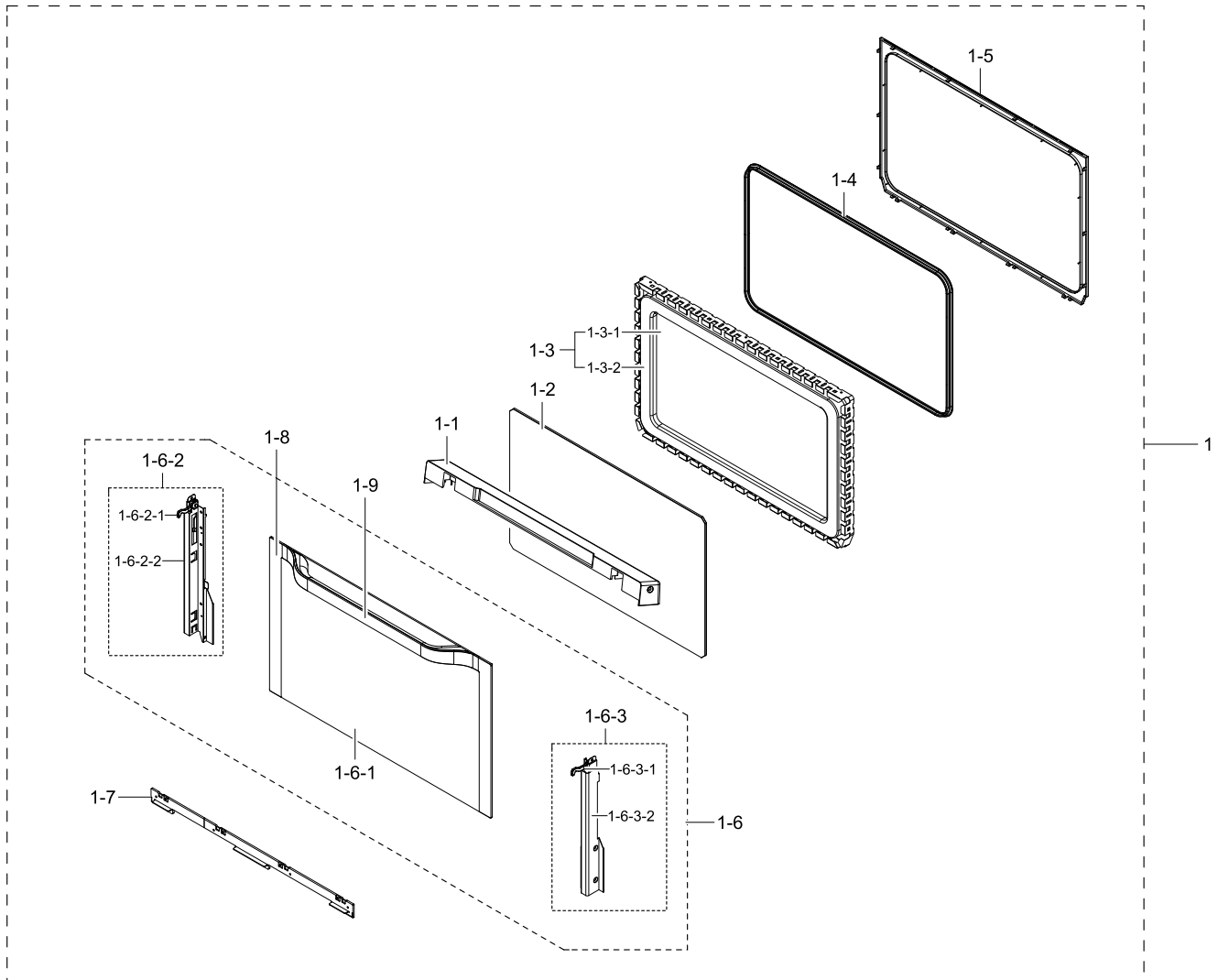
## Exploded Views and Parts List

No.	Lvl.	Loc.	Material Code	Description & Specification	SNA	Qty.
37-3	3	M464	DG47-00010A	THERMOSTAT; AC125/250V,15A,130,0,Rated Cu	SA	1
37-4	3	P219	DG94-00775A	ASSY BRACKET UPPER-SUB; NQ50C7535DS	SA	1
37-5	3	M039	2501-001019	C-OIL HIGH VOLTAGE; 1100nF,2100V,BK,34x54	SA	1
37-5-1	4		DG61-00714A	BRACKET-COOLING MOTOR; NQ50C7535DS,GI-SGC	SA	1
37-5-2	4	M003	DG61-00688A	BRACKET-UPPER; NQ50C7535DS,GI-SGCC,T0.8,W	SNA	1
37-5-3	4	P021	DE63-90004B	CUSHION SPONGE; OTR,PUR FOAM,T10,W10,L100	SNA	1
37-6	3		DG63-00303A	COVER-THERMAL ACTUATOR; NQ50C7535DS,GI-SG	SA	1
37-7	3	X009	6006-001176	SCREW-TAPTYPE; PH,+,WT,B,M4,L8,ZPC(WHT),S	SA	2
38	2		DG61-00712A	GUIDE AIR MGT-REAR; NQ50C7535DS,PP,TB53,W	SA	1
39	2		DE96-01055A	ASSY WIRE HARNESS-MAIN; NQ50H5537KB/WT,23	SA	1
40	2	T042	DE97-00651B	ASSY PACKING TRAY; FQ159ST,SS GRAY,TRAY	SNA	1
40-1	3	T002	DE63-00344B	TRAY-CERAMIC; 1.5 CONV,ceramic,SS GRAY	SA	1
40-2	3	T128	DE66-00186A	RACK WIRE; 1.5 CONV,MSWR-SWRM,H 15	SA	1
41	2	M302	DE31-00068A	MOTOR AC FAN-BLOWER; SMB-E485A,2,230V,50H	SA	1
42	2	M539	DE31-10173B	MOTOR AC DRIVE; M2LJ29A709,8,220~240V,50/	SA	1
43	2		DG96-00315A	ASSY LAMP-GLASS; NQ50C7535DS	SNA	1
44	2	P139	DG64-00417B	TRIM-R; NQ50C7535DS,EGI-SECC,T0.8,1 COAT	SA	1
45	2		DE94-02071E	ASSY BOWL STEAM; LOBSTER MARK3,PP HI831 N	SNA	1
45-1	3		DE75-00071A	BOWL-INNER; MW7000K,PP,BLUE,HB,HI828,BL00	SA	1
46	2		DG98-01128A	ASSY PACKING RACK; NQ50H5537,MARK3, PREZI	SNA	1
46-1	3	T021	DE63-00339A	TRAY-CONVECTION; 1.5 CONV,CR-SPP,ENAMEL C	SA	1
47	2		DG96-00307B	ASSY HEATER; NQ50C7535DS	SNA	1
47-1	3	M064	DE47-00058A	HEATER SHEATH-BOTTOM; AC230V,BKT,1000W,SU	SA	1
48	2		DG94-00848A	ASSY HOLDER; NQ50C7935ES*,STS	SA	4
49	2	M409	DE91-70083A	ASSY THERMISTOR; Aurora,PTM-K312-S5,-20	SA	1
50	2		DG61-00699A	BRACKET-GASKET HEATER G; NQ50C7535DS,GI-S	SNA	1

No.	Lvl.	Loc.	Material Code	Description & Specification	SNA	Qty.
50-1	2		DG63-00318A	GASKET HEATER; NQ50C7535DS,BRASS,1.0,90.5	SA	1
51	2	M243	DG70-00002A	WIRE-STEEL; BT63BSST,MSWR-SWRM,,T1.0,L200	SNA	2
52	2		DG94-00778A	ASSY SUPPORTER RACK-RIGHT; NQ50C7935DS	SA	1
53	2		DG94-00777A	ASSY SUPPORTER RACK-LEFT; NQ50C7535DS	SA	1
54	2		DG60-00001B	SPACER-FAN CONVECTION; NQ50C7535DS,STS304	SNA	1
55	2	H001	DG31-00019B	MOTOR AC CONVECTION; LOBSTAR,SMC-EBQV1D,2	SA	1
56	2	H067	DG94-01178B	ASSY CASING; NQ50H5537KB,LOBSTER	SA	1
57	2		DG67-00077A	FAN CONVECTION-RIGHT; NQ50C7535DS,STAINLE	SA	1
58	2		DG67-00089A	CAP SHAFT; NQ50C7935ES,STS304,15,-,M4, LE	SA	1
59	2	M253	DG94-00802A	ASSY COVER ADIABATIC; NQ50C7535DS,SPEED	SA	1

## 2. Assy Door

### Exploded View



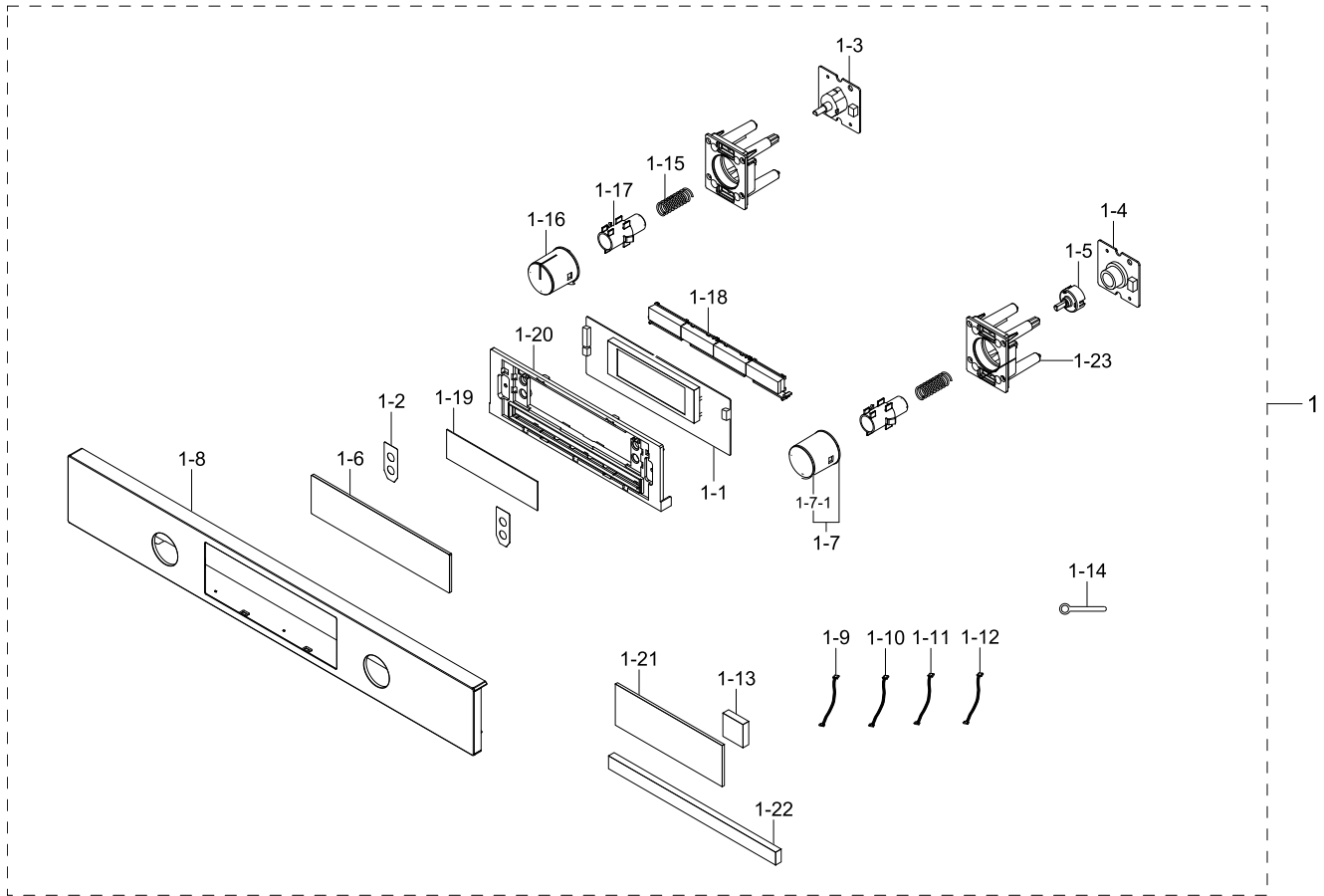
### Parts List

No.	Lvl.	Loc.	Material Code	Description & Specification	SNA	Qty.
1	1	D049	DG94-00768B	ASSY DOOR; NQ50C7933DS,STAINLESS,SPEED	SA	1
1-1	2		DG61-00719A	FRAME-DOOR TOP; NQ50C7535DS,PBT+GF,V-2,BL	SA	1
1-2	2		DG64-00437B	GLASS DOOR-MIDDLE; NQ50H5537KB,GLASS,4.0,	SA	1
1-3	2	D004	DG94-00782A	ASSY DOOR E SEALANT; NQ50C7535DS	SNA	1
1-3-1	3	D126	DG64-00435A	GLASS-INNER; NQ50C7535DS,GLASS,4,419.5,23	SNA	1
1-3-2	3	D210	DG64-00415A	DOOR E; NQ50C7535DS,GA-SGCC,T0.6,W444,L63	SNA	1

No.	Lvl.	Loc.	Material Code	Description & Specification	SNA	Qty.
1-4	2		DG63-00306A	GASKET DOOR-SILICON; NQ50C7535DS,SI,BLACK	SNA	1
1-5	2	D006	DG64-00423A	DOOR C; NQ50C7535DS,PBT,-,GF15%	SA	1
1-6	2	D015	DG94-00781A	ASSY DOOR SUB; NQ50C7535DS	SNA	1
1-6-1	3	D146	DG64-00436A	GLASS DOOR-OUT; NQ50C7535DS,GLASS,4.0,593	SNA	1
1-6-2	3		DG94-00794A	ASSY DOOR-FRAME L; NQ50C7535DS	SNA	1
1-6-2-1	4	D093	DE64-01595A	KEY DOOR-RIGHT; 1.5 CONV,ZN,-,-,DIE CASTI	SA	1
1-6-2-2	4		DG94-00783A	ASSY DOOR-FRAME SUB L; NQ50C7535DS	SNA	1
1-6-3	3		DG94-00796A	ASSY DOOR-FRAME R; NQ50C7535DS	SNA	1
1-6-3-1	4	D014	DE64-01596A	KEY DOOR-LEFT; 1.5 CONV,ZN,-,-,DIE CASTIN	SA	1
1-6-3-2	4		DG94-00784A	ASSY DOOR-FRAME SUB R; NQ50C7535DS	SNA	1
1-7	2		DG61-00720A	FRAME-DOOR BOTTOM; NQ50C7535DS,PBT+GF,V-2	SNA	1
1-8	3	D133	DG64-00416A	CHASSIS DOOR; NQ50C7535DS,STAINLESS-ST543	SNA	1
1-9	3	D019	DG63-00278A	HANDLE DOOR; NEO,PC,141R,HB,BLACK,NEO-HAN	SNA	1

### 3. Assy Control Box

#### Exploded View



#### Parts List

No.	Lvl.	Loc.	Material Code	Description & Specification	SNA	Qty.
1	1	C082	DE94-03309A	ASSY CONTROL BOX; NQ50H5533KS/EO,230V 50H	SNA	1
1-1	2		DE96-00991J	ASSY MODULE; Assy Display,NQF700-PJT,MARK	SA	1
1-2	2	M372	DE96-00993A	ASSY TOUCH; ASSY TOUCH,NEO,FR-4,NEO-TOUCH	SA	2
1-3	2	C319	DE96-00994A	ASSY-MODE; NV6786BNESR/WT,DAM-NEO MODE-00	SA	1
1-4	2	C317	DE96-00995A	ASSY-DIAL; NV6786BNESR/WT,DAM-NEO DIAL-00	SA	1
1-5	2	C352	DG61-00250A	HOLDER-ENCODER SWITCH; JM PYROLYTIC,PA66,	SA	1
1-6	2	C009	DG64-00465A	WINDOW DISPLAY; NV70F7796MS,ACRYL,T1,W133	SA	1
1-7	2	C184	DG94-01048A	ASSY KNOB DIAL; NQ50C7935ES/EF,PC,SPRAY,E	SA	1



No.	Lvl.	Loc.	Material Code	Description & Specification	SNA	Qty.
1-7-1	3	C190	DG64-00396A	KNOB DIAL ENCODER; NEO PJT,PC,HB,BLACK,LE	SNA	1
1-8	2		DG94-01051B	ASSY CONTROL PANEL SUB; NQ50H5533KS,STSS,	SA	1
1-9	2	W004	DG96-00290A	ASSY WIRE HARNESS-C; NV6786BNESR/WT,230VA	SA	1
1-10	2	W005	DG96-00291A	ASSY WIRE HARNESS-D; NV6786BNESR/WT,230VA	SA	1
1-11	2	W001	DG96-00292A	ASSY WIRE HARNESS; NV6786BNESR/WT,230VAC,	SA	2
1-12	2	W038	DG96-00303A	ASSY WIRE HARNESS-B; NQ50C7535DS,230VAC,2	SA	1
1-13	2	P021	DE63-00645A	CUSHION SPONGE; POLYURETHANE FOAM,T10,W35	SNA	1
1-14	2	M036	DE65-20029A	CORD CLAMP; GA-SGCC,L94XT0.5,GALVA,BLK,-,	SNA	5
1-15	2	C188	DG61-00069A	SPRING ETC-POP UP; BT63BSST / BWT,STAINLE	SNA	2
1-16	2	C184	DG94-01047D	ASSY KNOB DIAL; NQ50H5533KS,PC,SPRAY,SELE	SA	1
1-17	2	C187	DG96-00001A	ASSY POP UP; BT63BSST,PBT,BI,ITW	SNA	2
1-18	2	C048	DG94-00722B	ASSY BUTTON SELECT; NQ50H5533KS,PC,BLACK,	SNA	1
1-19	2		DG64-00407B	GLASS PANEL; NQ50H5533KS,GLASS,3.2,BLACK	SNA	1
1-20	2	C178	DG61-00640B	HOLDER PCB; NV6524BNESR,PC,W249.0,L81.2,B	SA	1
1-21	2	P021	DG63-00301A	CUSHION SPONGE; CR FOAM,T2.0,W45,L142,BLA	SNA	1
1-22	2	P021	DG63-00305A	CUSHION SPONGE; CR FOAM,T5.0,W150.0,L9.0,	SNA	4