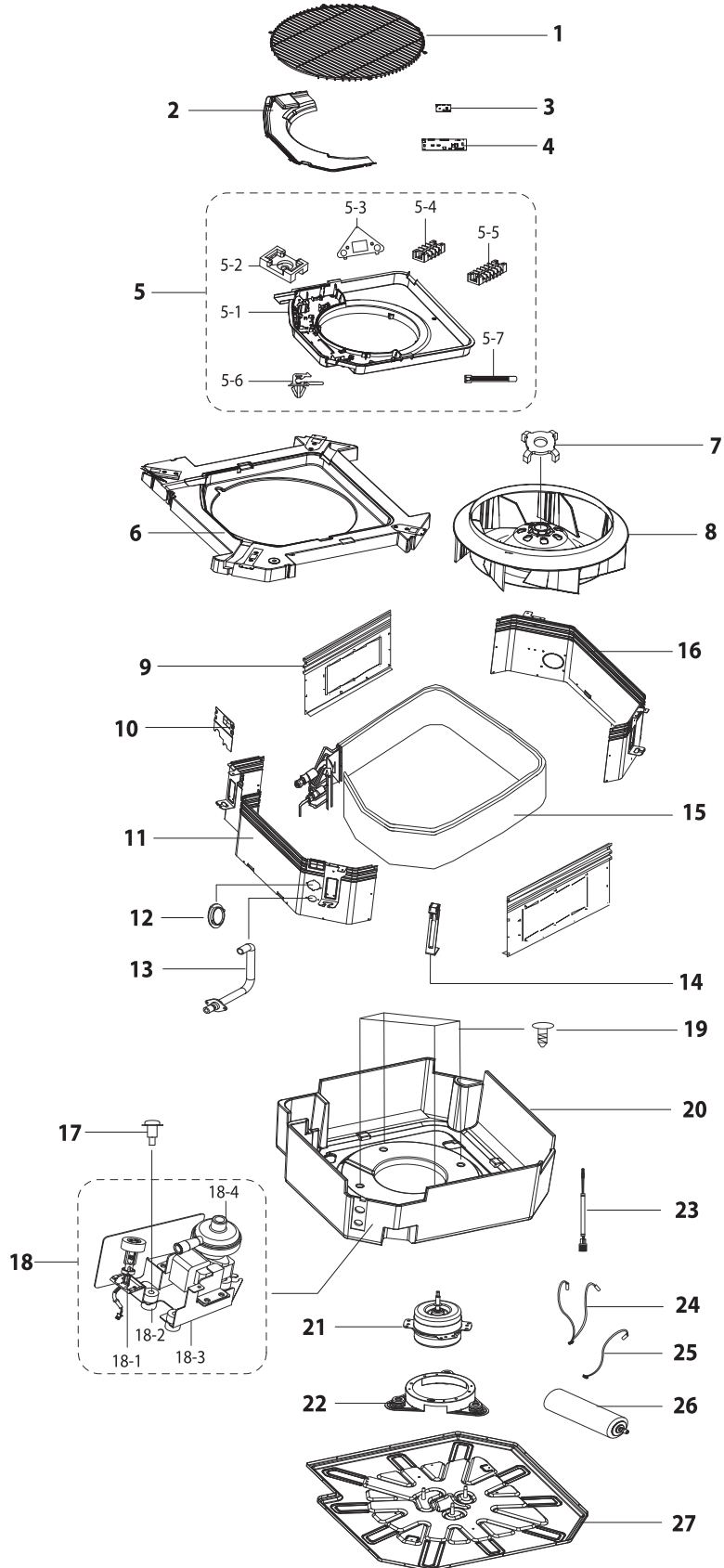


5-1-3 4 way cassette type

■ Body(AVXC4H045/056/071/090E*)
(ND045/056/071/0904H***)



■ Parts List

No.	Code No.	Description	Specification	Q'TY		SA/SNA
				AVXC4H045E* AVXC4H056E* ND0454H*** ND0564H***	AVXC4H071E* AVXC4H090E* ND0714H*** ND0904H***	
1	DB63-01480A	GUARD-SAFETY	CH140EAMC,HSWR	1	1	SNA
2	DB63-01481A	COVER-CONTROL	CH140EAMC,ABC	1	1	SNA
3	DB93-05981B	ASS'Y MAIN PCB	CH140EAMC	1	1	SNA
4	DB93-04119B	ASS'Y PCB SUB-POWER	CH140EAMC	1	1	SNA
5	DB93-05254A	ASS'Y CONTROL IN	ASS'Y	1	1	SNA
5-1	DB61-03092A	BASE CONRTROL	ABS,V0	1	1	SNA
5-2	DB61-02501A	TIE MOUNTS	NYLON66	2	2	SNA
5-3	DB61-02700A	BRACKET EARTH WIRE	SGCC-M	1	1	SNA
5-4	DB65-00029M	TERMINAL BLOCK 4P	ASS'Y,6P	1	1	SA
5-5	DB65-00029X	TERMINAL BLOCK 6P	ASS'Y,4P	1	1	SA
5-6	DB61-02765A	HOLDER SENSOR	PP	1	1	SNA
5-7	6501-001052	REUSABLE CABLE TIES	NYLON66	2	2	SNA
6	DB94-01062A	ASS'Y CUSHION DRAIN	ASS'Y,EPS,V0	1	1	SNA
7	DB61-01783A	BRACKET WASHER FAN	SGCC-M	1	1	SNA
8	DB67-00804A	ASS'Y FAN TURBO	ABS+GF10%	1	1	SNA
9	DB64-01734A	CABI SIDE	SGCC-M	2	2	SNA
10	DB90-02692A	ASS'Y COVER PIPE	ASS'Y	1	1	SNA
11	DB90-03189A	ASS'Y CABI FEONT	ASS'Y,SGCC-M	1	1	SNA
12	DB90-01950B	ASS'Y COVER DRAIN PUMP	ASS'Y	1	1	SNA
13	DB94-01389A	ASS'Y HOSE DRAIN	ASS'Y	1	1	SNA
14	DB61-03093A	HOLDER EVAP	STS301	2	2	SNA
15	DB96-08027B	ASS'Y EVAP UNIT	ASS'Y	1	-	SNA
	DB96-08027A	ASS'Y EVAP UNIT	ASS'Y	-	1	SNA
16	DB90-03190A	ASS'Y CABI BACK	ASS'Y,SGCC-M	1	1	SNA
17	DB90-02090B	SCREW PUMP	M5X30	-	-	SA
18	DB94-01381A	ASS'Y DRAIN PUMP	ASS'Y	1	1	SNA
18-1	DB34-00063A	SWITCH FLOAT	ASS'Y	1	1	SNA
18-2	DB73-00345A	RUBBER PUMP	NBR	3	3	SNA
18-3	DB61-02709A	BRACKET DRAIN PUMP	SGCC-M	1	1	SNA
18-4	DB67-00790A	DRAIN PUMP	ASS'Y	1	1	SNA
19	DB61-02349A	CLIP BRUSH	NYLON 66	-	-	SNA
20	DB97-05920A	ASS'Y CUSHION BASE	ASS'Y,EPS,V0	1	1	SNA
21	DB31-00439A	MOTOR INDOOR	BLDC	1	1	SA
22	DB90-03188A	ASS'Y BRACKET MOTOR	ASS'Y	-	-	SNA
23	DB93-07219A	CONNECT MOTOR FAN SUB	ASS'Y	1	1	SNA
24	DB32-00169A	THERMISTOR IN	ASS'Y	1	1	SA
25	DB32-00141A	THERMISTOR EVAP	ASS'Y	1	1	SNA
26	DB94-01389A	ASS'Y DRAIN HOSE	ASS'Y	1	1	SNA
27	DB90-02689B	ASS'Y CABI BASE	ASS'YSGCC-M	1	1	SNA

■ Parts List

No.	Code No.	Description	Specification	Q'TY		SA/SNA
				AVXC4H045E* AVXC4H056E* ND0454H*** ND0564H***	AVXC4H071E* AVXC4H090E* ND0714H*** ND0904H***	
1	DB63-01480A	GUARD-SAFETY	CH140EAMC,HSWR	1	1	SNA
2	DB63-01481A	COVER-CONTROL	CH140EAMC,ABC	1	1	SNA
3	DB93-05981D	ASS'Y MAIN PCB	MAIN PCB	1	1	SA
4	DB93-04119D	ASS'Y PCB SUB-POWER	POWER PCB	1	1	SA
5	DB93-05254F	ASS'Y CONTROL IN	ASS'Y CONTROL IN	1	1	SA
5-1	DB61-03092A	BASE CONRTROL	ABS,V0	1	1	SNA
5-2	DB61-02501A	TIE MOUNTS	NYLON66	2	2	SNA
5-3	DB61-02700A	BRACKET EARTH WIRE	SGCC-M	1	1	SNA
5-4	DB65-00029M	TERMINAL BLOCK 4P	ASS'Y,6P	1	1	SA
5-5	DB65-00029X	TERMINAL BLOCK 6P	ASS'Y,4P	1	1	SA
5-6	DB61-02765A	HOLDER SENSOR	PP	1	1	SNA
5-7	6501-001052	REUSABLE CABLE TIES	NYLON66	2	2	SNA
6	DB94-01062A	ASS'Y CUSHION DRAIN	ASS'Y,EPS,V0	1	1	SNA
7	DB61-01783A	BRACKET WASHER FAN	SGCC-M	1	1	SNA
8	DB67-00804A	ASS'Y FAN TURBO	ABS+GF10%	1	1	SNA
9	DB64-01734A	CABI SIDE	SGCC-M	2	2	SNA
10	DB90-02692A	ASS'Y COVER PIPE	ASS'Y	1	1	SNA
11	DB90-03189A	ASS'Y CABI FEONT	ASS'Y,SGCC-M	1	1	SNA
12	DB90-01950B	ASS'Y COVER DRAIN PUMP	ASS'Y	1	1	SNA
13	DB94-01389A	ASS'Y HOSE DRAIN	ASS'Y	1	1	SNA
14	DB61-03093A	HOLDER EVAP	STS301	2	2	SNA
15	DB96-08027B	ASS'Y EVAP UNIT	ASS'Y	1	-	SNA
	DB96-08027A	ASS'Y EVAP UNIT	ASS'Y	-	1	SNA
16	DB90-03190A	ASS'Y CABI BACK	ASS'Y,SGCC-M	1	1	SNA
17	DB90-02090B	SCREW PUMP	M5X30	-	-	SA
18	DB94-01381A	ASS'Y DRAIN PUMP	ASS'Y	1	1	SNA
18-1	DB34-00063A	SWITCH FLOAT	ASS'Y	1	1	SNA
18-2	DB73-00345A	RUBBER PUMP	NBR	3	3	SNA
18-3	DB61-02709A	BRACKET DRAIN PUMP	SGCC-M	1	1	SNA
18-4	DB67-00790A	DRAIN PUMP	ASS'Y	1	1	SNA
19	DB61-02349A	CLIP BRUSH	NYLON 66	-	-	SNA
20	DB97-05920A	ASS'Y CUSHION BASE	ASS'Y,EPS,V0	1	1	SNA
21	DB31-00539A	MOTOR INDOOR	BLDC	1	1	SA
22	DB90-03188A	ASS'Y BRACKET MOTOR	ASS'Y	-	-	SNA
23	DB93-07219A	CONNECT MOTOR FAN SUB	ASS'Y	1	1	SNA
24	DB32-00169A	THERMISTOR IN	ASS'Y	1	1	SA
25	DB32-00141A	THERMISTOR EVAP	ASS'Y	1	1	SNA
26	DB94-01389A	ASS'Y DRAIN HOSE	ASS'Y	1	1	SNA
27	DB90-02689B	ASS'Y CABI BASE	ASS'YSGCC-M	1	1	SNA