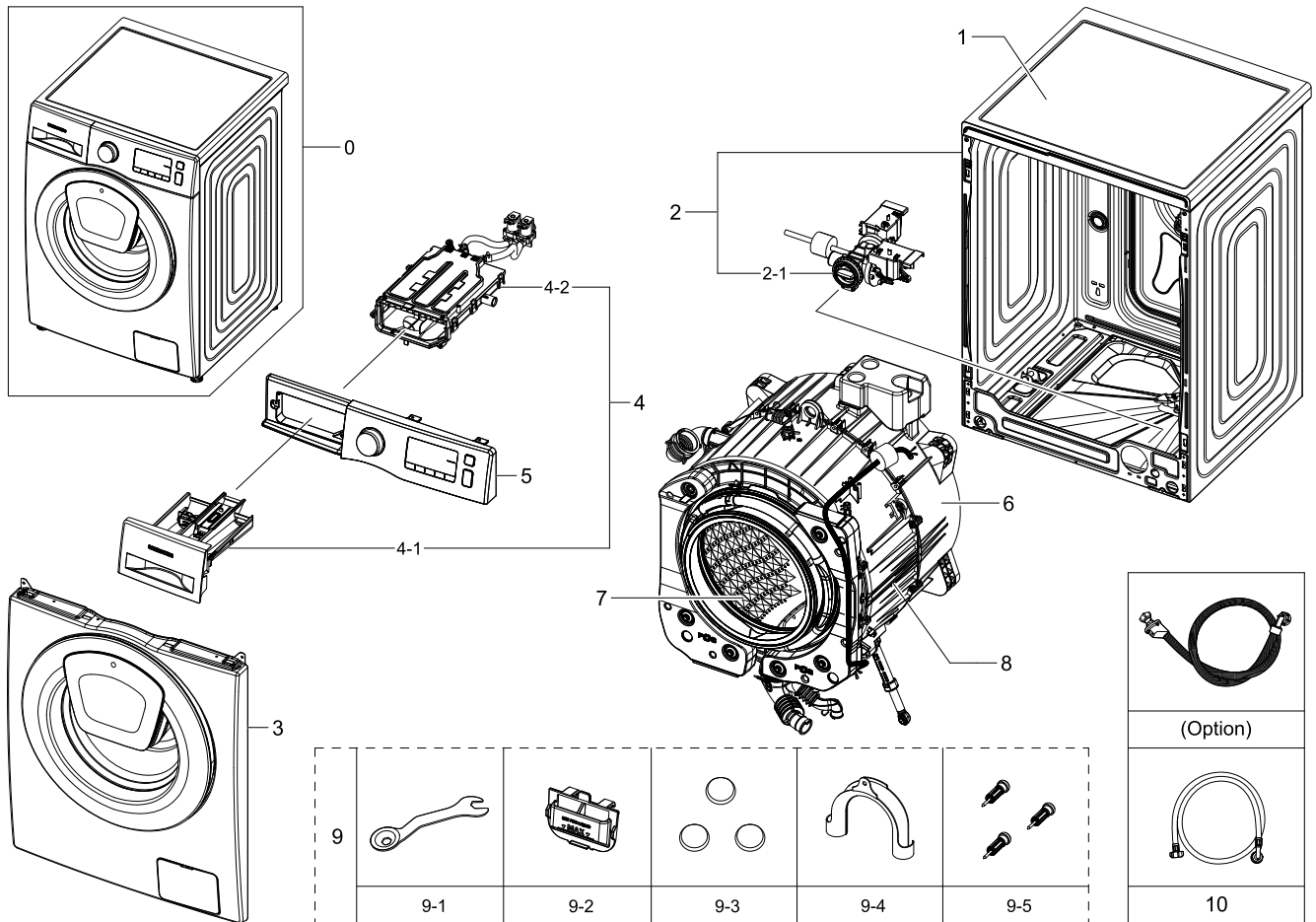


1. Main

Exploded View



Parts List

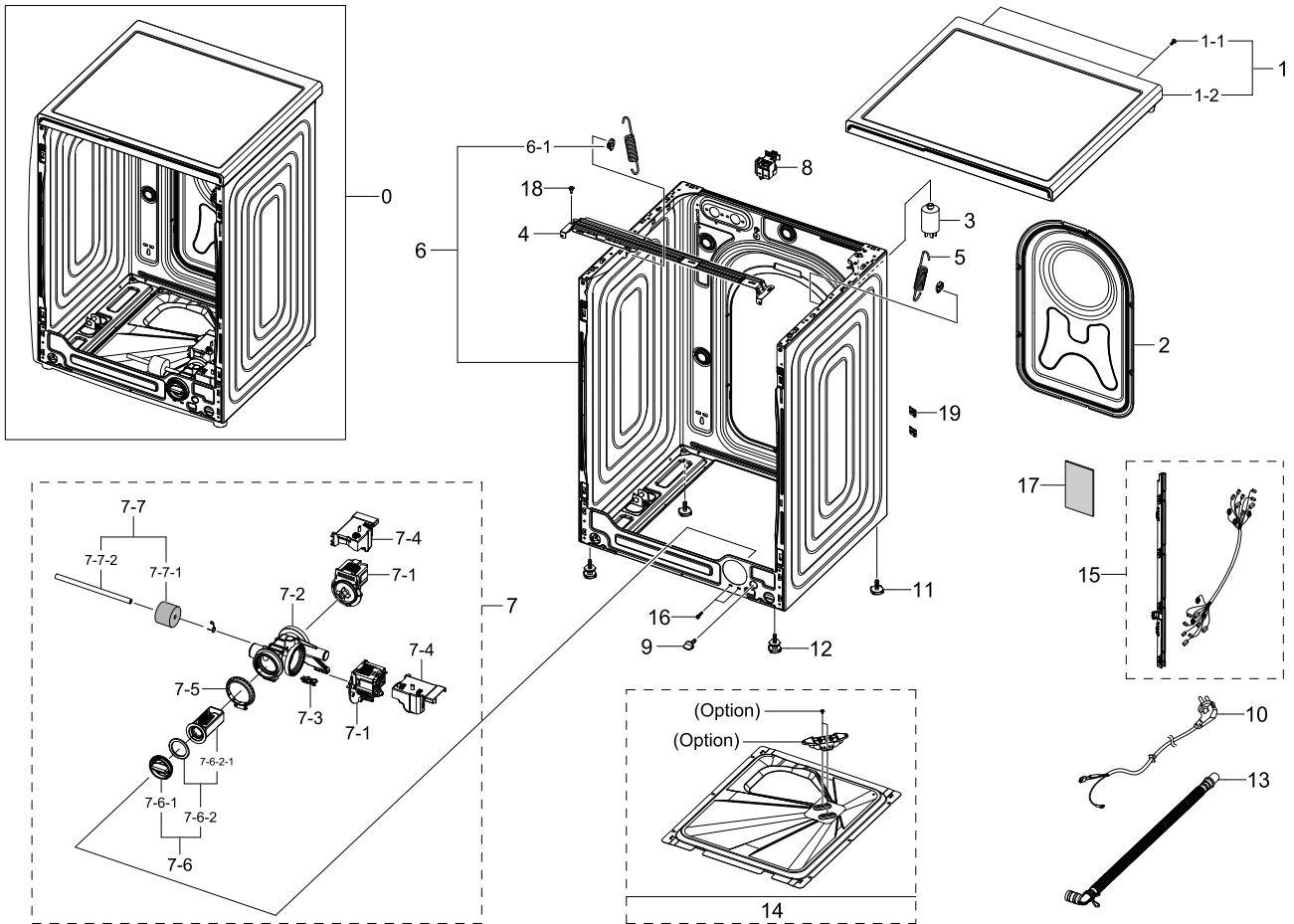
| No. | Lvl. | Loc. | Material Code | Description & Specification | SNA | Qty. |
|-----|------|-------|---------------|--|-----|------|
| 1 | 1 | W0183 | DC90-22244A | ASSY COVER TOP; F500,UNI,WHT | SNA | 1 |
| 2 | 1 | W0506 | DC90-22804A | ASSY FRAME; WW5500K,WW80K5410UW/EU | SNA | 1 |
| 2-1 | 2 | W0194 | DC97-17336A | ASSY PUMP DRAIN; F500E,WF80F5E5U4W/EF,AL- | SA | 1 |
| 3 | 1 | | DC90-21751A | ASSY FRONT; WW5500K,WW80K5410UW/EU | SNA | 1 |
| 4 | 1 | W0216 | DC90-12367A | ASSY DRAWER; F500E,WF80F5E5U4W/EF | SNA | 1 |
| 4-1 | 2 | W0216 | DC97-17310A | ASSY DRAWER; F500E,WF80F50FU4W,8kg, DA WH | SA | 1 |
| 4-2 | 2 | W0163 | DC97-17311A | ASSY HOUSING DRAWER; F500E,WF80F50FU4W,PP | SA | 1 |
| 5 | 1 | W0478 | DC90-21941A | ASSY PANEL CONTROL; WW80K5413UW/EU | SNA | 1 |
| 6 | 1 | W0501 | DC90-17262A | ASSY TUB BACK; DIM, NO CERAMIC | SNA | 1 |
| 7 | 1 | W0165 | DC90-12363A | ASSY DRUM; F500E,WF80F5E5U4W/EF | SNA | 1 |
| 8 | 1 | G0048 | DC90-12369A | ASSY TUB FRONT; F500E,WF80F5E5U4W/EF | SNA | 1 |

Exploded Views and Parts List

| No. | Lvl. | Loc. | Material Code | Description & Specification | SNA | Qty. |
|-----|------|--------|---------------|--|-----|------|
| 9 | 1 | W0718 | DC90-12364A | ASSY ACCESSORY; F500E,WF80F5E5U4W/EF | SNA | 1 |
| 9-1 | 2 | WJ5077 | DC60-40146A | BOLT SPANER; CR,T2.5 | SA | 1 |
| 9-2 | 2 | | DC61-03510A | GUIDE LIQUID; WF-F500E,PP,MT43,Honesty Bl | SA | 1 |
| 9-3 | 2 | W0614 | DC67-00307A | CAP-FIXER; WF438AAC/XAA,PP,T1.5,RECYCLE,B | SC | 3 |
| 9-4 | 2 | W0626 | DC67-00357A | HOSE-HANGER; SEM,PP,ID24.13,-,T2.0,-,GRY, | SNA | 1 |
| 9-5 | 2 | W0603 | DC97-14653C | ASSY FIXER TUB; SCOUT,WF0804Y8E/XEF | SA | 3 |
| 10 | 2 | W0757 | DC97-17845A | ASSY HOSE WATER; COLD,ALL MODEL | SA | 1 |

2. Assy Frame&Cover Parts

Exploded View



Parts List

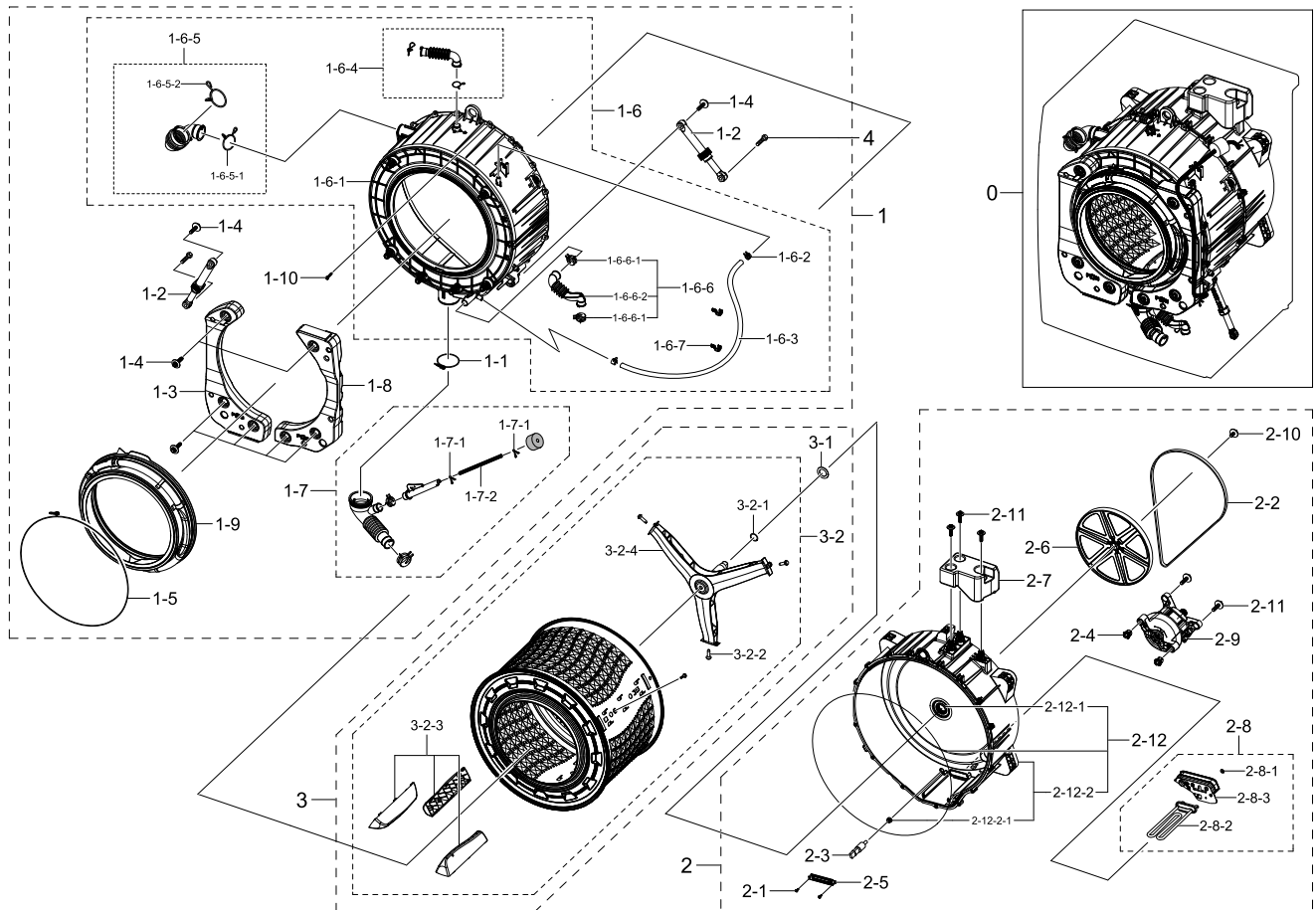
| No. | Lvl. | Loc. | Material Code | Description & Specification | SNA | Qty. |
|-----|------|--------|---------------|--|-----|------|
| 1 | 1 | W0183 | DC90-22244A | ASSY COVER TOP; F500,UNI,WHT | SNA | 1 |
| 1-1 | 2 | G0425 | 6009-001476 | SCREW-HEX; HEX,+,M5,L10,Ni-Zn(WHT),SWRCH1 | SA | 2 |
| 1-2 | 2 | W0183 | DC97-17254C | ASSY COVER TOP; F500E,WHITE | SA | 1 |
| 2 | 2 | | DC63-01034C | COVER BACK; GI-SGCC,T0.25, embo | SA | 1 |
| 3 | 2 | W0620 | DC29-00015G | FILTER EMI; LFT-215G,300Khz,VDE, KS,6.5mH | SA | 1 |
| 4 | 2 | W0248 | DC61-03467A | FRAME PLATE-UP; WF-F500E,GI-SGCC,-,-,T1.0 | SNA | 1 |
| 5 | 2 | W0630 | DC61-02146B | SPRING ETC-HANGER; F500E PJT,HSWR,CD3.5,O | SA | 2 |
| 6 | 2 | W0506 | DC97-17325E | ASSY FRAME; F500E,DA WHITE,COLD,UNI | SA | 1 |
| 6-1 | 3 | WI0266 | DC61-02065A | GUIDE SPRING; WF448AAG/XXA,POM,T4,W24,L36 | SA | 2 |
| 7 | 2 | W0194 | DC97-17336A | ASSY PUMP DRAIN; F500E,WF80F5E5U4W/EF,AL- | SA | 1 |
| 7-1 | 3 | M0022 | DC31-00030H | PUMP-DRAIN; 220V-240V,50Hz,30W,18L/min | SA | 2 |

Exploded Views and Parts List

| No. | Lvl. | Loc. | Material Code | Description & Specification | SNA | Qty. |
|---------|------|--------|---------------|--|-----|------|
| 7-2 | 3 | W0479 | DC61-02271B | CASE PUMP; WF0804Y8E/XEF,PP,T2.5,W153.6,L | SA | 1 |
| 7-3 | 3 | WO0031 | DC63-00905A | CUSHION PUMP; WF8802DPF/XET,NBR,-,W37.6,L | SA | 1 |
| 7-4 | 3 | W0213 | DC63-01549A | COVER PUMP; F500,PP,VO GRADE,NATURAL,FH44 | SA | 2 |
| 7-5 | 3 | | DC69-01128A | PACKING-PUMP; WF8804DP,IIR,BUTYL,T2.5,HEB | SA | 1 |
| 7-6 | 3 | G0050 | DC97-15695A | ASSY FILTER; GRIFFIN-PJT,WF9804RWE,PP+EPD | SA | 1 |
| 7-6-1 | 4 | WI0357 | DC64-01317A | HANDLE FILTER; PP,FC2210,NTR/BLACK | SA | 1 |
| 7-6-2 | 4 | | DC97-19203A | ASSY SEMI FILTER; F500/400, WW6000/3000,B | SNA | 1 |
| 7-6-2-1 | 5 | W0633 | DC63-00998A | FILTER PUMP; SCOUT-PJT,PP,-,NEAT WHITE,BU | SA | 1 |
| 7-7 | 3 | M0041 | DC97-19088A | ASSY HOSE DRAIN; F500E,WF80F5E5U4W,Black | SNA | 1 |
| 7-7-1 | 4 | W0743 | DC63-10003C | SPONGE-HOSE AIR; SWF-P12,PUR FOAM,GRY | SA | 1 |
| 7-7-2 | 4 | U2015 | DC67-00244C | HOSE DRAIN; WF0804Y8E,EPDM,ID6,OD11,T2.5, | SA | 1 |
| 8 | 2 | H2050 | DC96-01703G | SENSOR PRESSURE; Air,5,-,400mmH20,- | SA | 1 |
| 9 | 2 | WI0107 | DC61-10673A | CAP DRAIN; -,PP,-,-,-,-,CNTK-P-101,-,-, | SA | 1 |
| 10 | 2 | W0467 | DC90-11229B | CBF-POWER CORD; AT,U.K,GB3F,Gray,1900,H05 | SA | 1 |
| 11 | 2 | W0606 | DC97-00920U | ASSY LEG; F500E,WF80F5E5U4W/EF,H33.5,P1.5 | SA | 2 |
| 12 | 2 | W0606 | DC97-14293E | ASSY LEG; GE-PJT,WCVH4800KWW | SA | 2 |
| 13 | 2 | W0604 | DC97-16240F | ASSY HOSE DRAIN(O); F500E,WF80F5E5U4W | SA | 1 |
| 14 | 2 | W0462 | DC61-03478A | COVER-BOTTOM; WF-F500E,GI-SGCC,T0.4,W408, | SNA | 1 |
| 15 | 2 | | DC93-00619A | ASSY WIRE HARNESS-MAIN; DRUM-M,N,2PUMP,N, | SA | 1 |
| 16 | 2 | M0030 | DC97-14006A | ASSY SCREW; WF203,-,SCREW-TAPPING,-,M4/L1 | SA | 2 |
| 17 | 2 | W0663 | DC63-10008B | SPONGE HARNESS; F500E,PE FOAM,T10,W50,L10 | SNA | 1 |
| 18 | 2 | W0102 | 6009-001240 | SCREW-SPECIAL; TH,+,M5,L13.5,ZPC(WHT),SWR | SA | 2 |
| 19 | 2 | | DD61-00140A | BRACKET-TAPPING; SDW-T120B,SK5,T0.6,BLK,C | SNA | 2 |

3. Assy Tub&Drum

Exploded View



Parts List

| No. | Lvl. | Loc. | Material Code | Description & Specification | SNA | Qty. |
|-------|------|-------|---------------|--|-----|------|
| 1 | 1 | G0048 | DC90-12369A | ASSY TUB FRONT; F500E,WF80F5E5U4W/EF | SNA | 1 |
| 1-1 | 2 | W0744 | DC65-00021A | CLAMPER HOSE-JOINT; HEBA PJT,HSWR-SWRH,ID | SA | 1 |
| 1-2 | 2 | W0618 | DC66-00531C | DAMPER SHOCK; HEBA,PP,WHITE,80 20N,LONG | SA | 2 |
| 1-3 | 2 | W0233 | DC67-00682A | WEIGHT BALANCER-LEFT; F500,CONCRETE,NATUR | SA | 1 |
| 1-4 | 2 | W0601 | DC97-14263A | ASSY BOLT; MOTOR/BOLT(M8)+WASHER(OD27.5), | SA | 5 |
| 1-5 | 2 | M0038 | DC97-14618A | ASSY CLAMP DIAPHRAGM; WF8804DP,OD2.0/L124 | SA | 1 |
| 1-6 | 2 | W0636 | DC97-17327A | ASSY SEMI TUB FRONT; F500E,WF80F5E5U4W/EF | SNA | 1 |
| 1-6-1 | 3 | W0632 | DC61-03453A | TUB FRONT; F500,FRPP,OD 546.1,NTR,BUBBLE | SA | 1 |

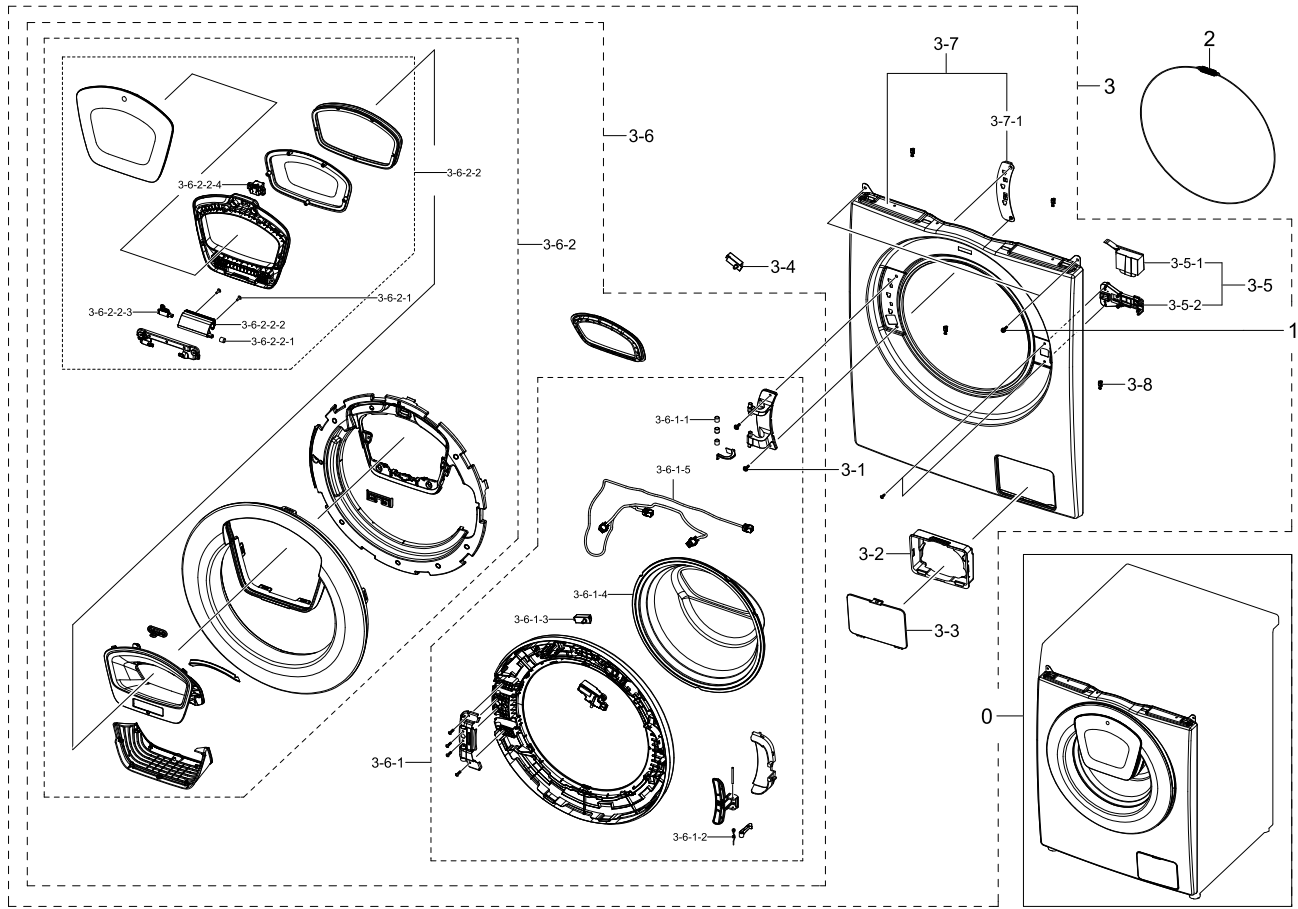
Exploded Views and Parts List

| No. | Lvl. | Loc. | Material Code | Description & Specification | SNA | Qty. |
|---------|------|--------|---------------|--|-----|------|
| 1-6-2 | 3 | W0615 | DC65-00008A | CLAMPER HOSE; SEW-DR605,SK5,-,ID14.2/T0.9 | SA | 2 |
| 1-6-3 | 3 | G0052 | DC67-00471E | HOSE CIRCULATION; F500E,EPDM,ID9.0,BLK | SA | 1 |
| 1-6-4 | 3 | G0422 | DC97-14873C | ASSY HOSE AIR; F500,WF80F5E5U4W | SA | 1 |
| 1-6-5 | 3 | G0043 | DC97-14874F | ASSY HOSE DRAWER; F500E,ALL | SA | 1 |
| 1-6-5-1 | 4 | | DC61-04117A | CLIP RING; HSWR,T3.0 | SA | 1 |
| 1-6-5-2 | 4 | WJ0027 | DC72-00001G | CLIP RING; HEBA-PJT,HSWR-SWRH,T3.0,ID49.5 | SA | 1 |
| 1-6-6 | 3 | | DC97-17339A | ASSY HOSE AIR-TUB; F500E,WF80F5E5U4W/EF,B | SA | 1 |
| 1-6-6-1 | 4 | W0615 | DC61-00158A | CLAMPER HOSE; SW65ASP,SK5,ID23,T0.8,- | SA | 2 |
| 1-6-6-2 | 4 | G0053 | DC67-00671A | HOSE AIR TUB; F500,EPDM,19.3,29,T2.5,50,B | SA | 1 |
| 1-6-7 | 3 | G0415 | DC61-02646A | GUIDE HOSE; WF0804Y8E,PP,T2.0,W9.8,L36.6, | SA | 2 |
| 1-7 | 2 | W0605 | DC97-17330A | ASSY HOSE PRESSURE; F500E,WF80F5E5U4W/EF | SA | 1 |
| 1-7-1 | 3 | WP0165 | DC61-70029C | CLIP RING; SEW-HW125,HSWR,WHITE | SA | 2 |
| 1-7-2 | 3 | W0725 | DC67-00230E | HOSE WATER; WD8704,TPE,ID4.5 | SA | 1 |
| 1-8 | 2 | W0232 | DC67-00681A | WEIGHT BALANCER-RIGHT; F500,CONCRETE,NATU | SA | 1 |
| 1-9 | 2 | W0234 | DC64-02888A | DOOR DIAPHRAGM; WF80F5E5U4W,TPE,T2.4,H80. | SA | 1 |
| 1-10 | 2 | G0049 | 6009-001367 | BOLT-HEX; M6.5,L32,ZPC(WHT),SWRCH18A,HWH | SA | 15 |
| 2 | 1 | W0501 | DC90-17262A | ASSY TUB BACK; DIM, NO CERAMIC | SNA | 1 |
| 2-1 | 2 | W0105 | 6002-000473 | SCREW-TAPPING; TH,+,NO,1,M4,L14,PASS,STS3 | SA | 2 |
| 2-2 | 2 | W0209 | 6602-001497 | BELT-TIMING GEAR; RUBBER(GATES),T3.2,1270 | SA | 1 |
| 2-3 | 2 | M0487 | DC32-00010C | THERMISTOR; WASHER,-10~100,5,5,3.243k | SA | 1 |
| 2-4 | 2 | WS0064 | DC61-02549A | BUSH MOTOR; HEBA BIGBANG,PA66+GF15%,NATUR | SA | 2 |
| 2-5 | 2 | W0230 | DC61-02874A | BRACKET HEATER; WD0704CQR,STAINLESS-STS43 | SA | 1 |
| 2-6 | 2 | W0434 | DC66-00767A | PULLEY MOTOR; F500,PA66,-,AF216V60(PA66+G | SA | 1 |
| 2-7 | 2 | W0231 | DC67-00670A | WEIGHT BALANCER-UP; F500,CONCRETE,-,4.0KG | SA | 1 |
| 2-8 | 2 | G0420 | DC93-00355A | ASSY HEATER; SEPM,230V,2000W,NTR | SNA | 1 |
| 2-8-1 | 3 | W0110 | 6031-001531 | WASHER-PLAIN; SCP1,ID7,OD14,T1.2,ZPC2,ACE | SA | 1 |
| 2-8-2 | 3 | W0237 | DC47-00033B | HEATER WASH; AC230V,2000W,SUS316L,728mm,N | SA | 1 |

| No. | Lvl. | Loc. | Material Code | Description & Specification | SNA | Qty. |
|----------|------|--------|---------------|--|-----|------|
| 2-8-3 | 3 | W0235 | DC63-01553A | COVER HEATER; F500 PJT,ABS+PC,W77,L168.1, | SA | 1 |
| 2-9 | 2 | | DC93-00586A | ASSY MOTOR BLDC; F3 35mm Press Houisng Ty | SNA | 1 |
| 2-10 | 2 | W0601 | DC97-06080C | ASSY BOLT; BOLT+WASHER(OD38),,,,,, | SA | 1 |
| 2-11 | 2 | W0601 | DC97-14263A | ASSY BOLT; MOTOR/BOLT(M8)+WASHER(OD27.5), | SA | 5 |
| 2-12 | 2 | W0501 | DC97-17334A | ASSY TUB BACK; F500E,WF80F5E5U4W/EF,8.0kg | SA | 1 |
| 2-12-1 | 3 | WS0119 | DC62-00008A | SEAL OIL; NBR,BLACK,-,NBU | SA | 1 |
| 2-12-2 | 3 | G0029 | DC97-17329A | ASSY SEMI TUB BACK; F500E,WF80F5E5U4W/EF, | SNA | 1 |
| 2-12-2-1 | 4 | M0028 | DC69-00824A | PACKING-THERMISTOR; GW-PJT,EPDM,-,-,W17,H | SA | 1 |
| 3 | 1 | W0165 | DC90-12363A | ASSY DRUM; F500E,WF80F5E5U4W/EF | SNA | 1 |
| 3-1 | 2 | WS0131 | DC60-00069A | SPACER; WR-HA139WA,STS304,ID30.2,SILVER,T | SA | 1 |
| 3-2 | 2 | W0165 | DC97-17231A | ASSY DRUM; F500 PJT | SA | 1 |
| 3-2-1 | 3 | | 6044-002157 | RING-OG; ID28,OD32.2,T2.1,BLK,NBR | SA | 1 |
| 3-2-2 | 3 | WJ5081 | DC60-40137A | BOLT HEX; MARS-PJT,STS430,M8,P1.25,L30,HE | SA | 3 |
| 3-2-3 | 3 | W0619 | DC66-00759A | DRUM LIFTER; F500 PJT,PP,W52,H45.8,L246,- | SA | 3 |
| 3-2-4 | 3 | W0164 | DC97-17234A | ASSY FLANGE SHAFT; F500 PJT | SA | 1 |
| 4 | 2 | G0049 | DC60-40144A | BOLT HEX; SM10C,L35,ZPC2(YEL),M10,ZPC2(YE | SA | 2 |

4. Assy Front

Exploded View



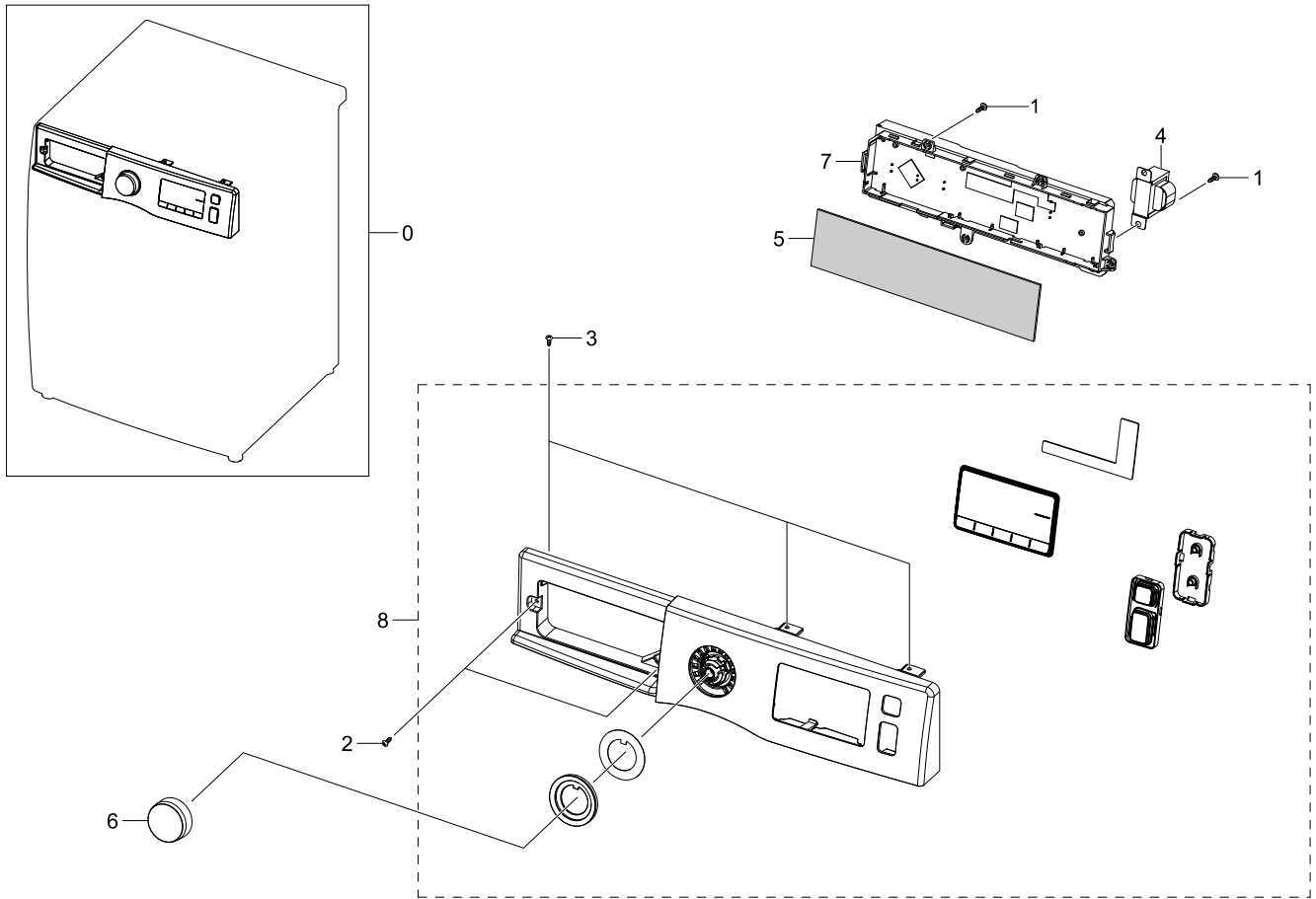
Parts List

| No. | Lvl. | Loc. | Material Code | Description & Specification | SNA | Qty. |
|-----|------|--------|---------------|--|-----|------|
| 0 | 1 | | DC90-21751A | ASSY FRONT; WW5500K,WW80K5410UW/EU | SNA | 1 |
| 1 | 2 | W0105 | 6002-001438 | SCREW-TAPPING; HWH,+,NO,1,M5,L12,ZPC(WHT) | SA | 2 |
| 2 | 2 | W0608 | DC91-12078D | ASSY WIRE DIAPHRAGM; HEBA-PJT,-,-,-,-,- | SA | 1 |
| 3 | 2 | W0253 | DC97-19356A | ASSY FRAME FRONT; WW5500K,Assy Door(Deep | SNA | 1 |
| 3-1 | 3 | G0425 | 6009-001522 | SCREW-HEX; HWH,+,M5,L16,PASS,STS430,FP,SE | SA | 2 |
| 3-2 | 3 | WI0248 | DC61-01917A | GUIDE FILTER; WF8804DP,HIPS,T2.5,HB,HG-17 | SA | 1 |
| 3-3 | 3 | W0516 | DC63-00920A | COVER-FILTER; WF8500NHW,ABS,T2.5,-,DA WHI | SA | 1 |
| 3-4 | 3 | | DC64-00828G | SWITCH DOOR; AC125/250V,1.5/0.75,1BUTTON, | SA | 1 |
| 3-5 | 3 | | DC97-19086A | ASSY COVER DOOR SWITCH; F500 | SNA | 1 |

| No. | Lvl. | Loc. | Material Code | Description & Specification | SNA | Qty. |
|-----------|------|--------|---------------|--|-----|------|
| 3-5-1 | 4 | WE0059 | DC63-00967A | COVER DOOR SWITCH; AEGIS-PJT/ WF8500NHWP | SA | 1 |
| 3-5-2 | 4 | WE0067 | DC64-01538A | SWITCH DOOR LOCK; AC250V,16,BIMETAL | SA | 1 |
| 3-6 | 3 | W0459 | DC97-19357A | ASSY DOOR; WW5500K,Main,ASSY COVER DOOR(G | SA | 1 |
| 3-6-1 | 4 | W0454 | DC97-19347A | ASSY HOLDER GLASS; WW5500K,HOLDER GLASS (| SNA | 1 |
| 3-6-1-1 | 5 | WD0090 | DC61-00891A | GUIDE HINGE; HAUZEN(DOM),POM,NTR(WHT),HIN | SA | 3 |
| 3-6-1-2 | 5 | WD0130 | DC61-02027A | SPRING ETC LEVER; STS304,CD1.2,L10.6 | SA | 1 |
| 3-6-1-3 | 5 | | DC64-00828G | SWITCH DOOR; AC125/250V,1.5/0.75,1BUTTON, | SA | 1 |
| 3-6-1-4 | 5 | W0448 | DC64-03390A | DOOR-GLASS; WW6500K,GLASS,T5.0,353*120.5 | SNA | 1 |
| 3-6-1-5 | 5 | | DC93-00620A | ASSY WIRE HARNESS-SUB; DRUM-M,SUB ADD WAS | SNA | 1 |
| 3-6-2 | 4 | W0457 | DC97-19358A | ASSY COVER DOOR; WW5500K,DEEP GENTLE BLUE | SNA | 1 |
| 3-6-2-1 | 5 | G0425 | 6009-001522 | SCREW-HEX; HWH,+,M5,L16,PASS,STS430,FP,SE | SA | 2 |
| 3-6-2-2 | 5 | W0459 | DC97-19352C | ASSY DOOR; WW5500K,2nd DOOR,GENTLE BLUE | SNA | 1 |
| 3-6-2-2-1 | 6 | WD0090 | DC61-00891A | GUIDE HINGE; HAUZEN(DOM),POM,NTR(WHT),HIN | SA | 1 |
| 3-6-2-2-2 | 6 | | DC61-04133B | HINGE DOOR; ALDC,T5.0,INOX GRAY Spray,WW5 | SA | 1 |
| 3-6-2-2-3 | 6 | | DC66-00878A | DAMPER SHOCK-AXIS; WD9500JK,POM,NATURAL | SA | 1 |
| 3-6-2-2-4 | 6 | | DC97-19401A | ASSY LATCH; WW8500K | SA | 1 |
| 3-7 | 3 | | DC97-19359A | ASSY FRAME FRONT-SEMI; WW5500K,DA WHITE | SA | 1 |
| 3-7-1 | 4 | W0226 | DC61-02584A | BRACKET HINGE; GI-SGCC,T1.4,- | SA | 1 |
| 3-8 | 3 | | DC61-02577B | GUIDE FRAME FRONT; WF1802XEC,POM,L19.4,NT | SA | 4 |

5. Assy Panel Control

Exploded View

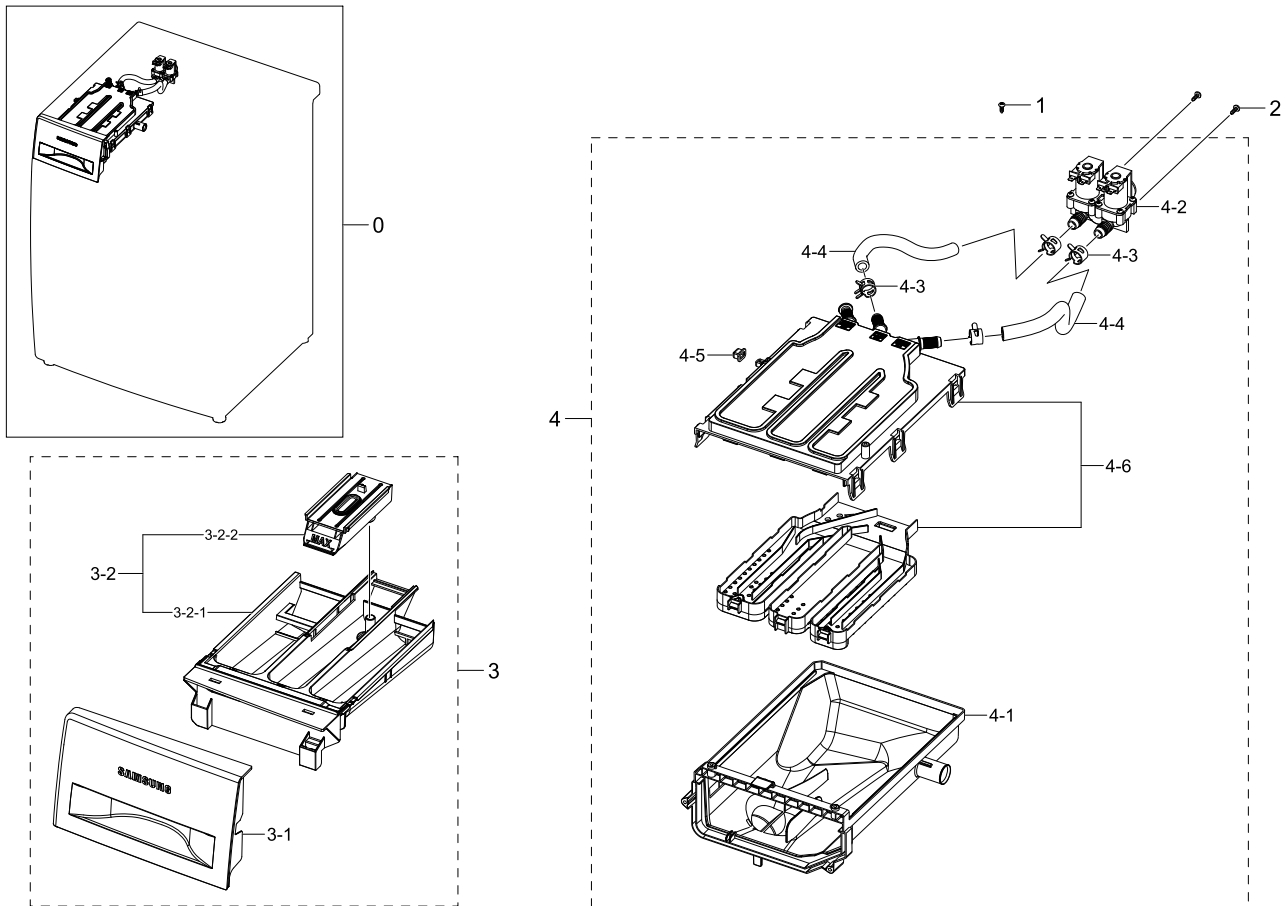


Parts List

| No. | Lvl. | Loc. | Material Code | Description & Specification | SNA | Qty. |
|-----|------|--------|---------------|--|-----|------|
| 0 | 1 | W0478 | DC90-21941A | ASSY PANEL CONTROL; WW80K5413UW/EU | SNA | 1 |
| 1 | 2 | WX0412 | 6002-000213 | SCREW-TAPPING; TH,+,1,M4,L12,ZPC(WHT),SWR | SNA | 5 |
| 2 | 2 | W0105 | 6002-000445 | SCREW-TAPPING; TH,+,NO,2S,M4,L18,PASS,STS | SNA | 2 |
| 3 | 2 | WX0441 | 6002-000520 | SCREW-TAPPING; TH,+,-,2,M4,L12,ZPC(WHT),S | SNA | 16 |
| 4 | 2 | | DC27-00012A | COIL HARMONIC; 4.5mH,40*69*39,3A | SA | 1 |
| 5 | 2 | | DC63-01829B | SHEET PCB; WW3000~6000,PC,T0.2,HB,3022R,B | SNA | 1 |
| 6 | 2 | | DC64-03312B | KNOB ENCODER; F500E,ABS,EBONY BLACK,BK001 | SA | 1 |
| 7 | 2 | | DC94-06481A | ASSY PCB EEPROM; 0406,WW5500K,SEPM, F500, | SA | 1 |
| 8 | 2 | W0478 | DC97-19371H | ASSY PANEL CONTROL; WW5500K,WW80K5413UW/E | SA | 1 |

6. Assy Drawer

Exploded View



Parts List

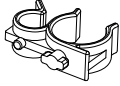



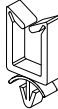

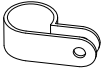



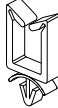
| No. | Lvl. | Loc. | Material Code | Description & Specification | SNA | Qty. |
|-------|------|--------|---------------|--|-----|------|
| 0 | 1 | W0216 | DC90-12367A | ASSY DRAWER; F500E,WF80F5E5U4W/EF | SNA | 1 |
| 1 | 2 | WX0441 | 6002-000520 | SCREW-TAPPING; TH,+,-,2,M4,L12,ZPC(WHT),S | SNA | 16 |
| 2 | 2 | F0056 | 6003-001768 | SCREW-TAPTTYPE; TH,+ ,WT,S,M4,L10,ZPC(WHT), | SNA | 1 |
| 3 | 2 | W0216 | DC97-17310A | ASSY DRAWER; F500E,WF80F50FU4W,8kg, DA WH | SA | 1 |
| 3-1 | 3 | W0112 | DC64-02858A | PANEL DRAWER; F500E,ABS,-,HG-0760GP,DA WH | SA | 1 |
| 3-2 | 3 | W0216 | DC97-19194A | ASSY DRAWER; F500E,Body Drawer+Cap Rinse | SNA | 1 |
| 3-2-1 | 4 | W0156 | DC61-03480A | BODY DRAWER; WF-F500E,PP,DA WHITE,WT0035, | SA | 1 |
| 3-2-2 | 4 | W0215 | DC67-00452A | CAP RINSE; WF-F500E,PP,-,-,MT43,Honesty B | SA | 1 |
| 4 | 2 | W0163 | DC97-17311A | ASSY HOUSING DRAWER; F500E,WF80F50FU4W,PP | SA | 1 |

Exploded Views and Parts List

| No. | Lvl. | Loc. | Material Code | Description & Specification | SNA | Qty. |
|-----|------|-------|---------------|--|-----|------|
| 4-1 | 3 | W0372 | DC61-03473A | HOUSING DRAWER-LOW; WF-F500E,PP,-,WHITE,- | SA | 1 |
| 4-2 | 3 | W0078 | DC62-00024M | VALVE WATER; AC220-240V,Bracket,1in 2out, | SC | 1 |
| 4-3 | 3 | W0615 | DC65-00008A | CLAMPER HOSE; SEW-DR605,SK5,-,ID14.2/T0.9 | SA | 2 |
| 4-4 | 3 | W0151 | DC67-00051T | HOSE DRAWER; F500E,EPDM,ID9.0,OD14.5,L230 | SA | 2 |
| 4-5 | 3 | | DC67-00327A | CAP DRAWER HOOK; HEBA-PJT,EPDM,T1.1,W13.9 | SA | 1 |
| 4-6 | 3 | W0497 | DC97-17347A | ASSY S.HOUSING DRAWER; F500E,WF80F5E5U4W | SA | 1 |

7. Small Parts

Exploded View

| | | | | | |
|---|---|---|--|---|---|
|  |  |  |  |  |  |
| 1 | 2 | 3 | 4 | 5 | 6 |
|  |  |  |  |  | |
| 7 | 8 | 9 | 10 | 11 | |

Parts List

| No. | Lvl. | Loc. | Material Code | Description & Specification | SNA | Qty. |
|-----|------|--------|---------------|--|-----|------|
| 1 | 2 | W0616 | DC61-00133A | CLAMPER HOSE-FIX; P1291,PP,-,HOSE+PLUG,BJ | SA | 1 |
| 2 | 2 | W0616 | DC61-00118A | CLAMP-CABLE; P1291,PA66,NATURAL,NC0001 | SA | 1 |
| 3 | 2 | WI0293 | DC61-40081A | HOLDER WIRE; DAWH-2NC,PA66,-,NATURAL,- | SA | 3 |
| 4 | 2 | W0623 | DC61-40083A | HOLDER WIRE; DAWH-3ND,PA66,NTR(PI24.4)/NY | SA | 4 |
| 5 | 2 | M0001 | DC61-00553B | CABLE CLAMP; DAWS-3NE,PA66,NTR | SA | 3 |
| 6 | 3 | W0615 | DC61-00219C | CLAMPER HOSE; -,SK5,WLS1100A,ID35,-,ZPC2 | SA | 1 |
| 7 | 2 | | DC65-20010A | CABLE CLAMP; DA-9N-1,NYLON66,NTR | SNA | 1 |
| 8 | 2 | | 6502-000127 | CABLE CLAMP; DAWH-18NB,PA66,NTR | SA | 1 |
| 9 | 2 | WI0293 | DC61-00995C | HOLDER WIRE; HEBA-PJT,PA,-,NATURAL,-,2110 | SA | 1 |
| 10 | 2 | G0040 | DC66-10003B | WIRE VINYL; SEW-100JL,PVC,,,,,,,,,T2.0*L1 | SA | 2 |
| 11 | 4 | M0001 | DC61-00553B | CABLE CLAMP; DAWS-3NE,PA66,NTR | SA | 1 |