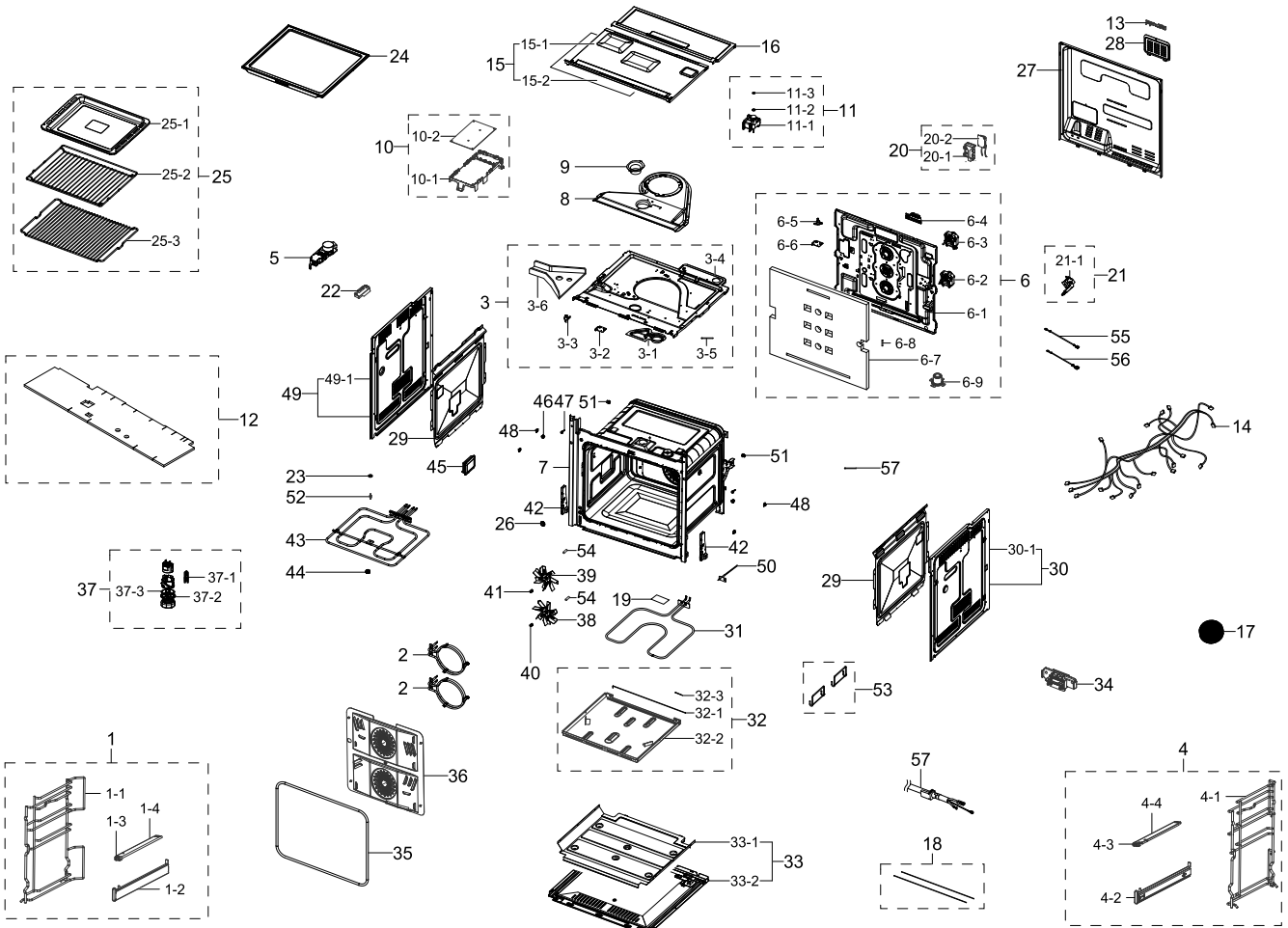


1. NV75N5671RS/EC

Exploded View



Parts List

No.	Lvl.	Loc.	Material Code	Description & Specification	SNA	Qty.
1	2		DG94-01403C	ASSY SUPPORTER RACK-LEFT; 699,599,TWIN, S	SA	1
1-1	3		DG67-00113A	RACK WIRE SUPPORT-LEFT; NV9900J,MSWR,699,	SA	1
1-2	3	P444	DG61-00468A	RAIL-TELESCOPIC L; TELESCOPIC MODEL,STS30	SA	1
1-3	3		DG63-00146A	COVER-PARTITION RAIL-L; E-OVEN,TEFLON,BLA	SA	1
1-4	3		DG63-00651A	COVER PARTITION-LEFT; NV9900J,STS304,T0.5	SA	1
2	2	H048	DG47-00009A	HEATER SHEATH-CONVECTION; AC230V,1200W,SU	SA	2
3	1	P214	DG94-01085P	ASSY BRACKET UPPER; NV7000N,GI-SGCC	SNA	1
3-1	2		DG61-00893A	BRACKET GUIDE; ALL,ALCOAT-SA1C,T0.5,W47	SNA	1

Exploded Views and Parts List

No.	Lvl.	Loc.	Material Code	Description & Specification	SNA	Qty.
3-2	2	H012	DE61-01371A	BRACKET-TCO; SMH9151B/XAA,EGI-SECC	SA	1
3-3	2	M029	DG47-00010C	THERMOSTAT; AC125/250V,15/16A,140C,0C,S.O	SA	1
3-4	2	M003	DG61-00887B	BRACKET-UPPER; NV7000N,GA-SGCC,T0.6,W	SNA	1
3-5	2	M058	6052-000076	CABLE CLAMP; PI 5.0, L94mm,T0.3,Si,WHITE	SNA	3
3-6	2		DG61-01604A	BRACKET GUIDE; NV7000N,GI-SGCC,T0.8,W,NAT	SNA	1
4	2		DG94-01403D	ASSY SUPPORTER RACK-RIGHT; 699,599,TWIN,	SA	1
4-1	3		DG67-00113B	RACK WIRE SUPPORT-RIGHT; NV9900J,MSWR,699	SA	1
4-2	3	P445	DG61-00469A	RAIL-TELESCOPIC R; TELESCOPIC MODEL,STS30	SA	1
4-3	3		DG63-00147A	COVER-PARTITION RAIL-R; E-OVEN,TEFLON,BLA	SA	1
4-4	3		DG63-00652A	COVER PARTITION-RIGHT; NV9900J,STS304,T0.	SA	1
5	2		DG94-02392A	ASSY DOOR LOCK; NV9900J,PYRO	SA	1
6	1		DG94-01075C	ASSY COVER ADIABATIC-REAR; NV9900J,Twin P	SNA	1
6-1	2		DG63-00389A	COVER ADIABATIC-REAR; NV9900J,GI-SGCC,T0.	SNA	1
6-2	2	H001	DG31-00019A	MOTOR AC CONVECTION; LOBSTAR,SMC-EBQV1B,2	SA	1
6-3	2	H001	DG31-00018A	MOTOR AC CONVECTION; 24" OVEN,SMC-EBQV1A,	SA	1
6-4	2	G005	DG65-00002A	TERMINAL BLOCK; BT63BSST,450V,41A,VDE,NO,	SA	1
6-5	2	M464	DG47-00010A	THERMOSTAT; AC125/250V,15/16A,130C,0C,S.O	SA	2
6-6	2	H012	DE61-01371A	BRACKET-TCO; SMH9151B/XAA,EGI-SECC	SA	1
6-7	2	M215	DG62-00142B	ADIABATIC; CERAMIC WOOL,T25,W520,L480,96K	SNA	1
6-8	2	M413	DG62-00021A	TUBE-GLASS; FTQ386,GLASS FIBER,4.1,60MM,3	SNA	2
6-9	2		DG60-00018A	FLANGE COVER REAR; NEO lite,ALCOAT-SA1C,T	SNA	2
7	2	P141	DG94-02847G	ASSY CAVITY-COATING; NV7000N,75L,ENAMEL,N	SNA	1
8	2		DG63-00376D	COVER AIR; NV7000N,GI-SGCC,T0.5,DUAL DOOR	SNA	1
9	2		DG61-00895A	BRACKET PIPE; ALL,GI-SGCC,T0.5,W27.7,L0.6	SNA	1
10	2	C164	DG94-01081Z	ASSY HOLDER PCB; NV75N5671RS,NV7000N, PYR	SNA	1
10-1	3		DG61-00909A	HOLDER PCB-MAIN; ALL,PA66,T2,BLACK,V-0,GF	SNA	1

No.	Lvl.	Loc.	Material Code	Description & Specification	SNA	Qty.
10-2	3		DG94-02478B	ASSY PCB EEPROM; EEP_02,DG92-01059E,Non,N	SA	1
11	2	M021	DG94-01410D	ASSY COVER MOTOR; NV7000N,NV7000N,DUAL,PY	SA	1
11-1	3		DG31-00001F	MOTOR AC FAN; SMF-E610POL,2,230V,50Hz,35W	SA	1
11-2	3	H024	DE60-30016A	NUT FLANGE; MSWR-SWRM,MSWR10	SNA	3
11-3	3	H009	DE60-40026B	WASHER PLAIN; ZNC,OD12,T1.0,SBC1	SNA	1
12	2	M215	DG62-00149A	ADIABATIC; MAIN, Non-Pyro,GLASS WOOL,T25,	SNA	1
13	2		DG61-00405A	HOLDER-CABLE; DX6292K,PA66,WHITE	SA	1
14	2		DG96-00446A	ASSY WIRE HARNESS-MAIN; NV75K5571, TW PY	SA	1
15	2	H094	DG94-00361A	ASSY CASE-UPPER; BF641FST,GI,T0.5	SA	1
15-1	3	H051	DG61-00052A	CASE-UPPER A; BT63BSST,GI-SGCC,T0.5,W570.	SA	1
15-2	3		DG63-00200A	CUSHION-CASE UPPER; BF641FST,CR FOAM,T1.5	SNA	1
16	2	H052	DG61-00053A	CASE-UPPER B; BT63BSST,GI-SGCC,T0.5,W567.	SNA	1
17	2	P283	DG63-00096A	FILTER-CERAMIC; BT62FQBPST,CERAMIC	SNA	1
18	2	M243	DG70-00002A	WIRE-STEEL; BT63BSST,MSWR-SWRM,,T1.0,L200	SNA	2
19	2	M389	DG62-00017A	ADIABATIC HEATER; BT62FQBPST,CERAMIC WOOL	SNA	1
20	2		DG94-00385C	ASSY HOLDER NOISE FILTER; STEAM _ JUPITER	SA	1
20-1	3	M264	DG61-00444C	HOLDER NOISE FILTER; BI-SINGLE,PBT+GF,BLA	SNA	1
20-2	3	M017	DG96-00021A	ASSY NOISE FILTER; SN-BF63,250V/18A,-,0.6	SA	1
21	2		DG97-00014G	ASSY PARTITION SWITCH; BT62CDSTR-BASIC,-,	SA	1
21-1	3	B048	3405-001034	SWITCH-MICRO; 125/250VAC,16A,200gf,SPST-N	SA	1
22	2		DG61-01057A	HOLDER LOCK; PA66,BLACK,16's VE NV9900J ,	SNA	1
23	2	H024	DE60-30016A	NUT FLANGE; MSWR-SWRM,MSWR10	SNA	4
24	2	B034	DG94-00743A	ASSY-PARTITION; NV6786BNESR,NEO PJT	SA	1
25	1		DG98-01132U	ASSY PACKING ACCESSORY; NV7000N,TRAY+WIRE	SNA	1
25-1	2	T111	DG63-00011A	TRAY-BAKING B; CR-SPP,T0.6,ENAMEL COATING	SA	1
25-2	2		DG75-01061B	RACK WIRE; NV9900J,NV9900J,MSWR,-,-,-,S	SA	1
25-3	2	M272	DG59-00004A	RACK-WIRE ROAST; MSWR,SNC2 COATING	SA	1
26	2	M262	6031-001545	WASHER-SPRING; STS430,ID5,OD11.8,T0.3,Dar	SNA	4

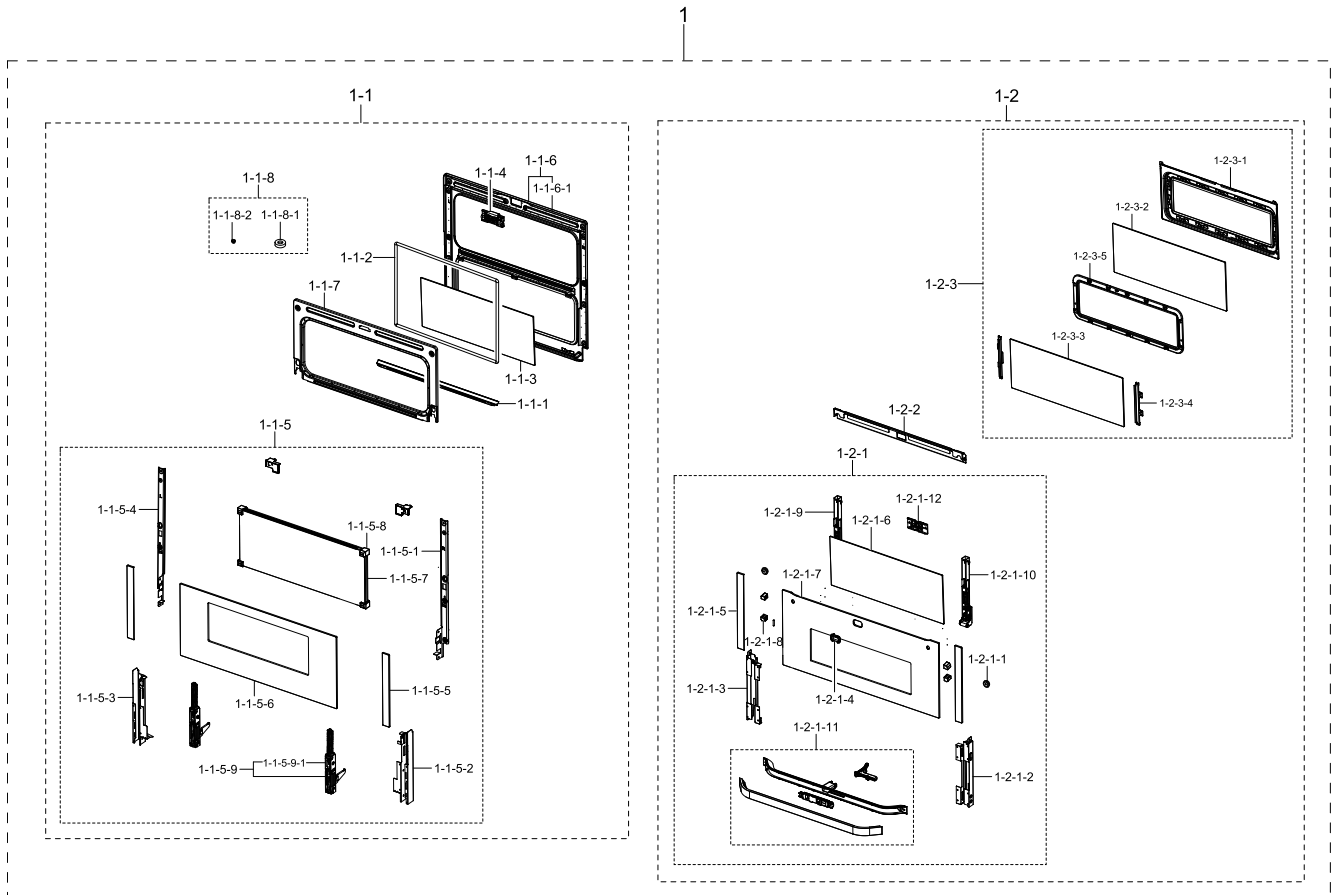
Exploded Views and Parts List

No.	Lvl.	Loc.	Material Code	Description & Specification	SNA	Qty.
27	2	P186	DG63-00240A	COVER BACK; BQV1Q6T014,GI-SGCC,T0.5	SNA	1
28	2	H050	DG61-00031A	BRACKET-AS COVER; BT63BSST,GI-SGCC,T0.5,W	SNA	1
29	2		DG63-00390A	COVER ADIABATIC-SIDE; NV9900J,GI-SGCC,T0.	SNA	2
30	2		DG94-00328H	ASSY CASE-RIGHT; NV7000N 75L PYRO,HANDLE	SA	1
30-1	3	H053	DG61-00654E	CASE-RIGHT; NV9900J,GI-SGCC,T0.5,L533,SPA	SA	1
31	2	M224	DG47-00007A	HEATER SHEATH-BOTTOM; AC230V,BKT Type(Fix	SA	1
32	2	P229	DG97-00105B	ASSY COVER-BOTTOM HEATER; BT62FQBPST,-,-,	SA	1
32-1	3	U029	DG66-00014A	WIRE-COVER BOTTOM HEATER; BT62FQBPST,STAI	SNA	1
32-2	3	M241	DG63-00007A	COVER-BOTTOM HEATER; BT63BSST,GI-SGCC,T0.	SNA	1
32-3	3	U028	DG47-00027A	HOLDER-R PIN; BT62FQBPST	SNA	1
33	2	U001	DG94-02180D	ASSY BASE BOTTOM; NV7000N, DUAL DOOR	SNA	1
33-1	3	P280	DG63-00083A	COVER-ADIABATIC LOWER; BT62FQBPST,GI-SGCD	SNA	1
33-2	3		DG61-00881C	BASE BOTTOM; NV7000N,GI-SGCD,T0.6	SNA	1
34	2		DG94-02514A	ASSY HOLDER; NV7000N,CAVITY FRONT,LOCK RE	SA	1
35	2	M370	DG63-00095B	GASKET DOOR; NV9900J,GLASS FIBER,L1837.4,	SA	1
36	2	M144	DG94-02438A	ASSY COVER AIR; NV7000N,PYRO	SA	1
37	2	M254	DG47-00073A	ASSY LAMP-HALOGEN; BT62FQBPST,613102,230V	SA	1
37-1	3	U013	4713-001967	LAMP-HALOGEN; 230V,100mA,25W,2600K,400Lm,	SNA	1
37-2	3	M265	DG63-00029A	COVER-RING BULB; BT63BSST,STS304,T0.5	SA	1
37-3	3	M250	DG63-00098A	SHEET-RING BULB; BT62FQBPST,STS304,T0.5,W	SNA	1
38	2		DG67-00011C	FAN CONVECTION; 24"OVEN,ALCOAT-SA1C,Pi 12	SA	1
39	2		DG67-00001C	FAN CONVECTION; 24"OVEN,ALCOAT-SA1C,Pi 12	SA	1
40	2	X107	6021-001208	NUT-HEXAGON CAP; M4,NI PLT,SWRCH10A	SNA	1
41	2	X107	6021-001211	NUT-HEXAGON CAP; M4,NI PLT,SWRCH10A,LEFT	SNA	1
42	2		DG61-00930A	SUPPORT HINGE; NV9900J,GI-SGCC,T1.6,-	SA	2
43	2	H071	DG47-00047C	HEATER SHEATH-GRILL; AC230V,BKT Type(Swin	SA	1
44	2	Z779	6021-001207	NUT-CIRCULAR; M5,NI PLT,SWRCH10A,MESHING	SNA	1

No.	Lvl.	Loc.	Material Code	Description & Specification	SNA	Qty.
45	2	M036	DG96-00371A	ASSY LAMP-HALOGEN; NV9900J,613103,230V 40	SA	1
46	2	M242	DG63-00119A	COVER SCREW; BT65FQBPST,ABS,BLUE(74171),	SA	2
47	2	M268	DG73-00002A	RUBBER-CUSHION; BT63BSST,SI RUBBER,BI,DAR	SA	2
48	2	M188	DG61-00341A	BRACKET-HOLDER RACK; FLAT ALL MODEL,STS30	SNA	4
49	2		DG94-00329J	ASSY CASE-LEFT; NV7000N 75L PYRO,HANDLE H	SA	1
49-1	3	H054	DG61-00655G	CASE-LEFT; NV7000N,GI-SGCC,T0.5,L533,SPAC	SA	1
50	2	M300	DG32-00004B	SENSOR TEMP; 1Kohm	SA	2
51	2	H130	DG94-00332A	HOLDER RACK; -,STS304,-,-,-,-,-,-,-,-,-,-	SA	2
52	2		DG61-00988A	STUD GRILL; STS304,NV9900J	SA	1
53	2		DG64-00470A	HANDLE GRIP; BT62FQBPST,MSWR,Ni-Cr Platin	SA	2
54	2	H049	DG60-00001A	SPACER-FAN CONVECTION; BT63BSST,STKM11A,L	SA	2
55	2	W006	DG96-00044B	ASSY WIRE HARNESS-EARTH; DX6211KUU,230V/5	SA	1
56	2	W036	DG96-00390A	ASSY WIRE HARNESS-EARTH; NV9900J,Halogen	SA	1
57	2	M015	DG96-00084A	POWER CORD-AT; H05VV-F 3x1.5mm2,BLK,-,-,F	SA	1

2. Assy Door

Exploded View



Parts List

No.	Lvl.	Loc.	Material Code	Description & Specification	SNA	Qty.
1	1	D049	DG94-02560C	ASSY DOOR; NV7000N, PYRO,STS430J1L #4	SA	1
1-1	2		DG94-02562C	ASSY DOOR-MAIN; NV7000N, PYRO,STS430J1L #	SNA	1
1-1-1	3		DG61-01559A	BRACKET GLASS; DUAL DOOR,ALCOAT-SA1C,T0.6	SNA	1
1-1-2	3	M370	DG63-00606A	GASKET DOOR; NV75N7677RS,GLASS FIBER,GASK	SA	1
1-1-3	3		DG64-00785C	GLASS DOOR-MIDDLE; NV75N7677RS,GLASS,T4,W	SA	1
1-1-4	3		DG94-02404A	ASSY DOOR LOCK-MAIN; NV7000N,ASSY LATCH M	SA	1
1-1-5	3		DG94-02390C	ASSY DOOR SUB-MAIN/UP/LOW; NV7000N,PYRO,	SA	1
1-1-5-1	4		DG61-01556A	BRACKET FRAME; NV7000N,DUAL DOOR,STS430,T	SNA	1

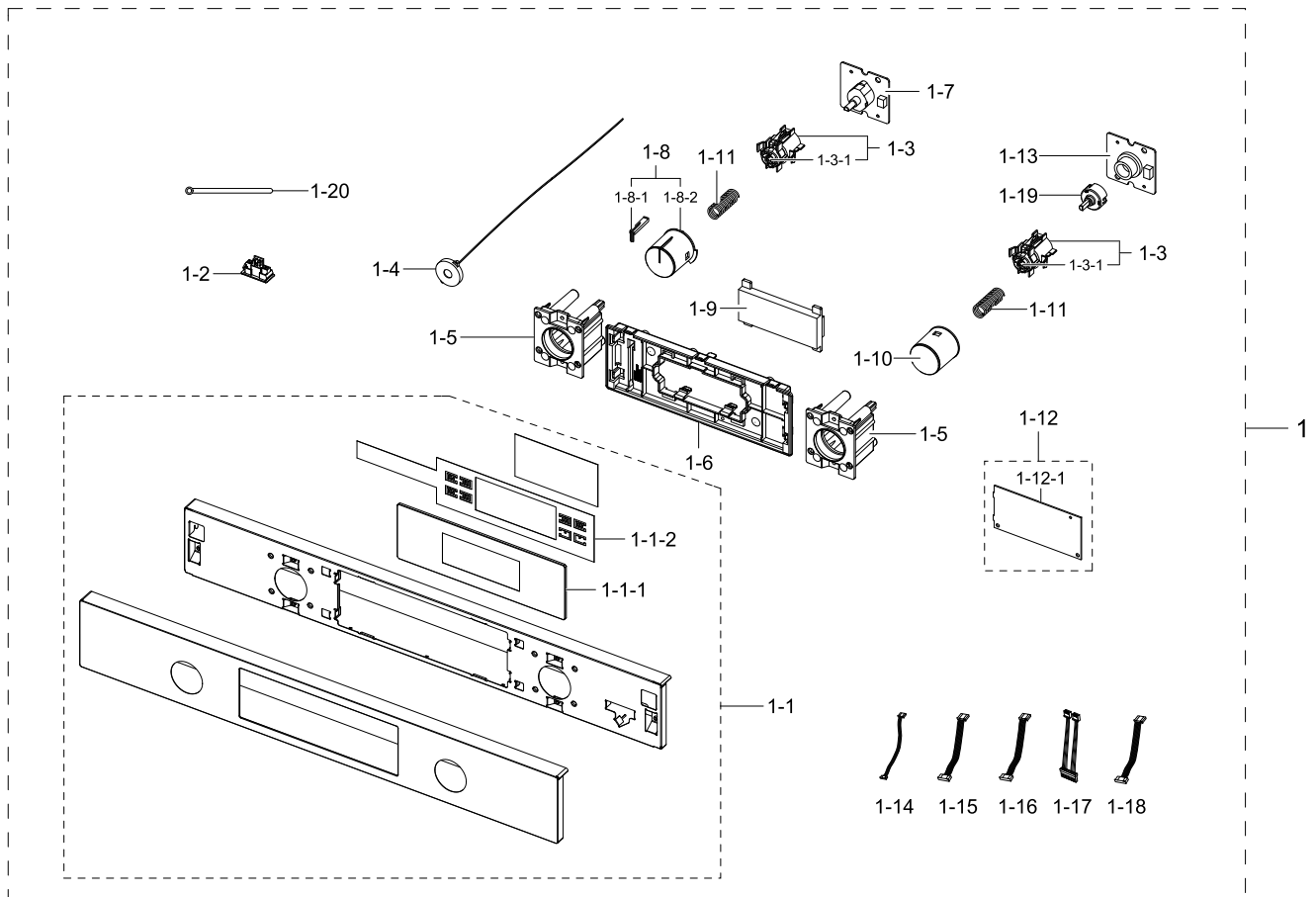
No.	Lvl.	Loc.	Material Code	Description & Specification	SNA	Qty.
1-1-5-2	4		DG61-01565A	FRAME DOOR-RIGHT; NV7000N,DUAL DOOR,STS43	SNA	1
1-1-5-3	4		DG61-01566A	FRAME DOOR-LEFT; NV7000N,DUAL DOOR,STS430	SNA	1
1-1-5-4	4		DG61-01574A	BRACKET FRAME; NV7000N,DUAL DOOR,STS430,T	SNA	1
1-1-5-5	4	D133	DG64-00775C	CHASSIS DOOR; NV7000N,STS430J1L,T0.5	SNA	2
1-1-5-6	4		DG64-00784A	GLASS DOOR-OUT; NV75N7677RS,GLASS,T4,W242	SNA	1
1-1-5-7	4		DG64-00785A	GLASS DOOR-MIDDLE; NV75N7677RS,GLASS,T4,W	SA	2
1-1-5-8	4		DG67-00186A	RUBBER GLASS; NV75N7677RS,SILICON RUBBER,	SA	4
1-1-5-9	4		DG94-02557A	ASSY HINGE-MAIN; NV7000N, ALTAPE+HINGE,PY	SNA	2
1-1-5-9-15		V002	DG94-02391A	ASSY HINGE; NV75N7677RS,NV7000N, PYRO MAI	SA	2
1-1-6	3		DG94-02401A	ASSY COVER; NV75N7677RS,ASSY COVER DOOR	SA	1
1-1-6-1	4		DG94-02445A	ASSY COVER-WELDING; NV7000N,ASSY COVER DO	SNA	1
1-1-7	3		DG94-02402A	ASSY COVER BACK; NV75N7677RS,ASSY COVER G	SA	1
1-1-8	3		DG97-00162A	ASSY SCREW; NV7000N,SCREW(4*8)+WASHER+RUB	SNA	2
1-1-8-1	4		DG67-00184A	RUBBER; NV75N7677RS,SILICON RUBBER,BLACK,	SA	2
1-1-8-2	4	X009	DE60-10067A	SCREW-TAPPING; TH,+,NO,2,M4,L8,ZPC(BLK),S	SNA	2
1-2	2		DG94-02563C	ASSY DOOR-UP; NV7000N, PYRO,STS430J1L #4	SNA	1
1-2-1	3		DG94-02394C	ASSY DOOR SUB-UP; NV7000N,PYRO, STS430J1L	SNA	1
1-2-1-1	4	D095	DG61-00745A	HOLDER HANDLE; NV7000N,PA66,T1.5,BLACK,V-	SNA	2
1-2-1-2	4		DG61-01572A	FRAME DOOR-RIGHT; DUAL DOOR,STS430,Black,	SNA	1
1-2-1-3	4		DG61-01573A	FRAME DOOR-LEFT; DUAL DOOR,STS430,Black,T	SNA	1
1-2-1-4	4		DG63-00593A	COVER LATCH; NV7000N,DUAL DOOR,PC,T1.6,V-	SNA	1
1-2-1-5	4		DG64-00776C	CHASSIS DOOR-UP; NV7000N,STS430J1L,T0.5,U	SNA	2
1-2-1-6	4		DG64-00785A	GLASS DOOR-MIDDLE; NV75N7677RS,GLASS,T4,W	SA	1
1-2-1-7	4		DG64-00786A	GLASS DOOR-OUT; NV75N7677RS,GLASS,T4,W252	SNA	1

Exploded Views and Parts List

No.	Lvl.	Loc.	Material Code	Description & Specification	SNA	Qty.
1-2-1-8	4		DG67-00185A	RUBBER GLASS-UP; NV75N7677RS,SILICON RUBB	SA	4
1-2-1-9	4		DG94-02396C	ASSY HINGE-LEFT; NV7000N,Pyro, Up Door, C	SA	1
1-2-1-10	4		DG94-02397C	ASSY HINGE-RIGHT; NV7000N,Pyro, Up Door,	SA	1
1-2-1-11	4	D020	DG94-02398A	ASSY HANDLE; NV75N7677RS,PC, BLK, 141R	SNA	1
1-2-1-12	4		DG94-02475A	ASSY DOOR LOCK-FRONT; NV7000N,ASSY LATCH	SA	1
1-2-2	3		DG94-02395A	ASSY DUCT DOOR; NV75N7677RS,NV7000N, PYRO	SNA	1
1-2-3	3		DG94-02564A	ASSY COVER FRONT; NV7000N, PYRO,ASSY COVE	SNA	1
1-2-3-1	4		DG94-02400A	ASSY COVER FRONT-COATING; NV75N7677RS,ASS	SA	1
1-2-3-2	4		DG64-00789A	GLASS DOOR-IN; NV7000N,GLASS,T4,W146,L435	SA	1
1-2-3-3	4		DG64-00789B	GLASS DOOR-IN; NV7000N,GLASS,T4,W158,L435	SA	1
1-2-3-4	4		DG61-01569A	HOLDER GLASS; NV7000N,DUAL DOOR,STS304,T0	SNA	2
1-2-3-5	4		DG61-01584A	BRACKET COVER-TOP; NV7000N,STS304,T0.8,W4	SNA	1

3. Assy Control Box

Exploded View



Parts List

No.	Lvl.	Loc.	Material Code	Description & Specification	SNA	Qty.
1	1	C082	DG94-01098S	ASSY CONTROL BOX; NV7000N,9900VE, PYRO	SNA	1
1-1	2	C001	DG94-02403A	ASSY CONTROL PANEL; NV7000N,9900VE,PYRO	SA	1
1-1-1	3		DG64-00517F	GLASS PANEL; GLASS,T3.2,209,70,9900J T3.2	SNA	1
1-1-2	3	C004	DG34-00038A	SWITCH MEMBRANE; PET,20pin	SA	1
1-2	2		DG32-00014A	SENSOR MAG; MS-407-SS-OV,5V,TMR-Door,-20	SA	1
1-3	2		DG94-01293A	ASSY POP UP; KNOB POP IN/OUT	SA	2
1-3-1	3	C271	DG61-00259A	SPRING ETC-RETENSION; BF641FST,SK5,P11,T0	SNA	2
1-4	2	C197	DE96-00686B	ASSY BUZZER; E-OVEN,KPR-G3020-450,450mm,2	SA	1
1-5	2		DG61-00902A	HOLDER KNOB; SINGLE VAPOR,PC,T2.5,BLACK,H	SA	2

Exploded Views and Parts List

No.	Lvl.	Loc.	Material Code	Description & Specification	SNA	Qty.
1-6	2	C226	DG61-00906A	HOLDER DISPLAY; NV75J5140BS,PC,BLACK,V-2,	SNA	1
1-7	2	C319	DE96-00994A	ASSY-MODE; NV6786BNESR/WT,DAM-NEO MODE-00	SA	1
1-8	2		DG94-01411A	ASSY KNOB; NV9900 VE,SILVER SELECT	SA	1
1-8-1	3		DG64-00395A	BUTTON-INDICATOR; NEO PJT,PC,GE BLACK	SNA	1
1-8-2	3	C185	DG64-00394B	KNOB-DIAL SELECT; NV6786BNESR,PC,BLACK,NE	SNA	1
1-9	2	Y040	DE07-00137C	LED DISPLAY; 7S,14D,NV9900J_MEATPROBE_DUA	SA	1
1-10	2		DG94-01411B	ASSY KNOB; NV9900 VE,SILVER ENCODER	SA	1
1-11	2	C188	DG61-00069A	SPRING ETC-POP UP; BT63BSST / BWT,STAINLE	SA	2
1-12	2	C179	DG92-01082B	ASSY PCB SUB; NV7000N_SUB,NV7000N,120.5 x	SA	1
1-12-1	3		DG94-02486A	ASSY PCB SMD; NV7000N_SUB,NV7000N,120.5 x	SNA	1
1-13	2	C317	DE96-00995A	ASSY-DIAL; NV6786BNESR/WT,DAM-NEO DIAL-00	SA	1
1-14	2		DG96-00385B	ASSY WIRE HARNESS-DC SIGNAL; NV75N7677RS/	SA	1
1-15	2		DG96-00386A	ASSY WIRE HARNESS-DISPLAY; NV9900J,12VDC	SNA	1
1-16	2		DG96-00398A	ASSY WIRE HARNESS-DC SIGNAL; NV9900J,Main	SA	1
1-17	2		DG96-00400A	ASSY WIRE HARNESS-DC SIGNAL; NV9900J,Mode	SA	1
1-18	2		DG96-00685A	ASSY WIRE HARNESS-PBA; NV75N7677RS/EO,230	SA	1
1-19	2		DG61-00250B	HOLDER SWITCH; 24"EVN,PA66,BLACK,GF15%,EN	SA	1
1-20	2	M058	6052-000075	CABLE CLAMP; PI 5.0, L75mm,T0.3,Si,WHITE	SNA	1