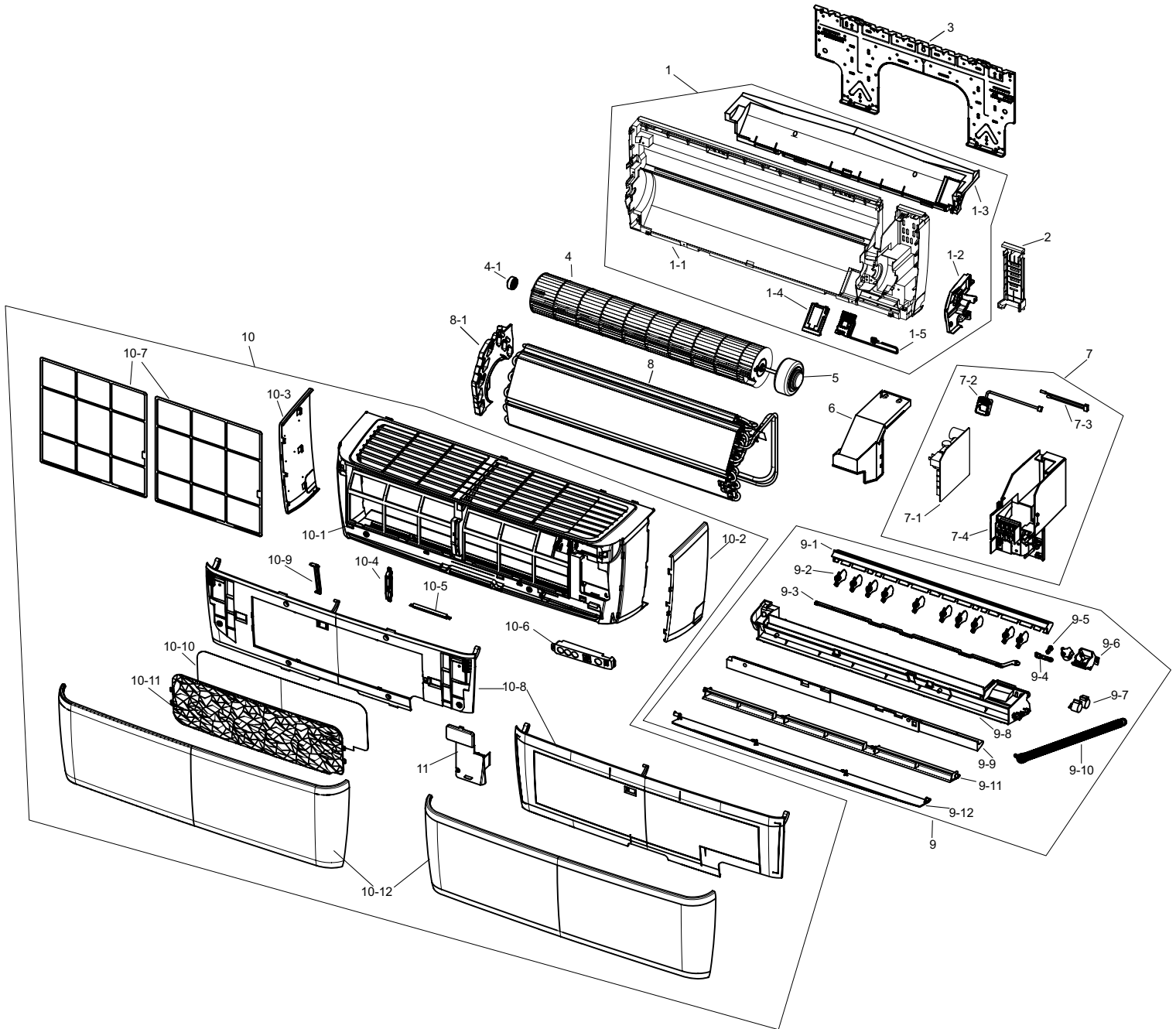


5. Exploded Views and Parts List

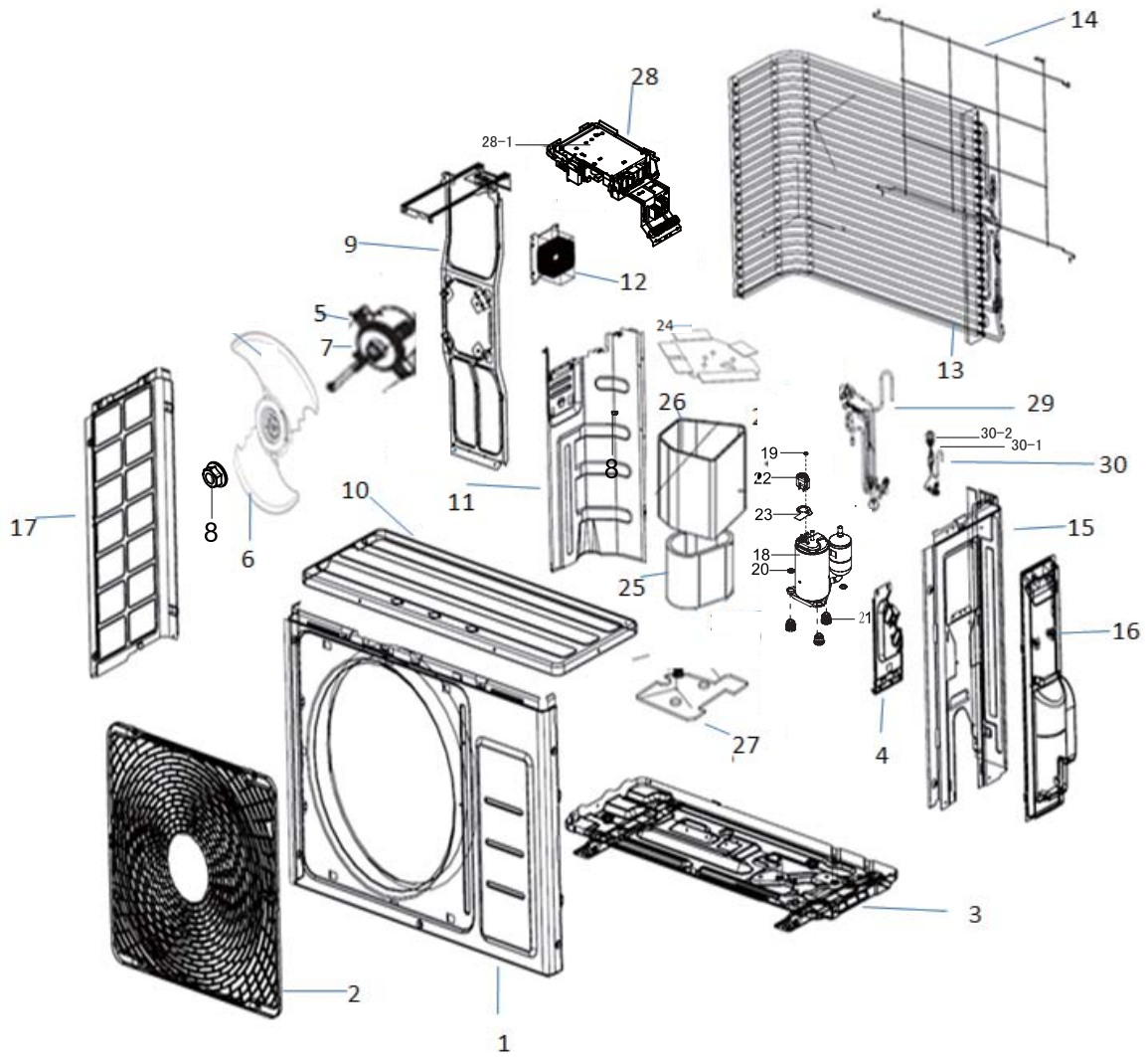
5-1 Indoor Unit



■ Parts List

No	Code No.	Description	Specification	Qty		SA/SNA
				AQV09KBAN AQV12KBAN AQV18KBAN	AQV09YWAN AQV12YWAN AQV18YWAN	
1	DB94-02954A	ASSY BACK BODY	ASSY	1	-	SA
	DB94-02954B	ASSY BACK BODY	ASSY	-	1	SA
1-1	DB61-04705A	BODY BACK	HIPS, BLACK	1	-	SNA
	DB61-04705B	BODY BACK	HIPS, WHITE	-	1	SNA
1-2	DB90-06421A	ASSY-SUPPORT EVAP RH	HIPS	1	1	SA
1-3	DB62-09815A	INSULATION-BODY REAR	EPS(30)	1	1	SNA
1-4	DB63-02649C	COVER-MPI	HIPS, BLACK	1	-	SA
	DB63-02649B	COVER-MPI	HIPS, WHITE	-	1	SA
1-5	DB93-08656A	ASSY-SPI SLIM COMPACT	ASSY	1	1	SA
2	DB61-04706A	HOLDER-PIPE	HIPS, BLACK	1	-	SA
	DB61-04706B	HOLDER-PIPE	HIPS, WHITE	-	1	SA
3	DB61-05014A	PLATE-HANGER	SGCC-M, T0. 8	1	1	SA
4	DB94-02959A	ASSY-CROSS FAN TOTAL	ASSY	1	1	SA
4-1	DB94-00455B	ASSY-RUBBER BEARING	ASSY	1	1	SA
5	DB31-00588A	MOTOR FAN	ASSY, BLDC	1	1	SA
6	DB90-06112A	ASSY COVER CONTROL IN	ASSY	1	1	SA
7	DB93-10958B	ASSY CONTROL IN	ASSY	1	1	SA
7-1	DB93-10956B	ASSY PCB MAIN-IN	PCB	1	1	SA
7-2	DB95-01703A	ASSY-HUMIDITY SENSOR	SENSOR	1	1	SA
7-3	DB95-04570E	ASSY THERMISTOR IN	SENSOR	1	1	SA
7-4	DB61-04726A	CASE CONTROL IN	PC+ABS	1	1	SNA
8	DB96-14919A	ASSY EVAP TOTAL	ASSY	1 (AQV09/12KBAN)	-	SA
	DB96-14920A	ASSY EVAP TOTAL	ASSY	-	1 (AQV09/12YWAN)	SA
	DB96-14940A	ASSY EVAP TOTAL	ASSY	1 (AQV18KBAN)	1 (AQV18YWAN)	SA
8-1	DB63-02848A	COVER BEARING	HIPS	1	1	SA
9	DB94-02956A	ASSY TRAY DRAIN	ASSY	1	-	SA
	DB94-02956B	ASSY TRAY DRAIN	ASSY	-	1	SA
9-1	DB63-02849A	TRAY-STABILIZER	ABS	1	1	SNA
9-2	DB61-04727A	BLADE-V	PP	1	1	SNA
9-3	DB66-01594A	LINK-CONNECTING	POM	1	1	SNA
9-4	DB66-01596A	LINK-FIXED BAR	POM	1	1	SNA
9-5	DB66-01595A	LINK-STEPPING MOTOR	POM	1	1	SNA
9-6	DB63-02847A	COVER-LINK	ABS	1	1	SNA
9-7	DB31-00371A	MOTOR STEP	DC12V, 600gf. cm	1	1	SA
9-8	DB63-02836A	TRAY DRAIN	ABS	1	1	SNA
9-9	DB62-09816A	INSULATION-TRAY UP	EPS(30)	1	1	SNA
9-10	DB94-00458D	ASSY HOSE DRAIN	ASSY	1	1	SA
9-11	DB66-01592A	BLADE-H LOW	ABS, DARK GRAY	1	-	SA
	DB66-01592B	BLADE-H LOW	ABS, PIGEON GRAY	-	1	SA
9-12	DB66-01593A	BLADE-H UP	ABS, DARK GRAY	1	-	SA
	DB66-01593B	BLADE-H UP	ABS, PIGEON GRAY	-	1	SA
10	DB92-02272A	ASSY PANEL FRONT-P	ASSY	1	-	SA
	DB92-02271A	ASSY PANEL FRONT-D	ASSY	-	1	SA
10-1	DB64-02628A	PANEL-FRONT	HIPS, DARK GRAY	1	-	SNA
	DB64-02628B	PANEL-FRONT	HIPS, PIGEON GRAY	-	1	SNA
10-2	DB64-02632A	DECO PANEL-RH	HIPS, BLACK	1	-	SNA
	DB64-02632B	DECO PANEL-RH	HIPS, WHITE	-	1	SNA
10-3	DB64-02633A	DECO PANEL-LF	HIPS, BLACK	1	-	SNA
	DB64-02633B	DECO PANEL-LF	HIPS, WHITE	-	1	SNA
10-4	DB61-04721A	GUIDE-STOPPER GRILLE	POM	1	1	SNA
10-5	DB93-07043C	ASSY DISPLAY-MPI	ASSY	1	1	SA
10-6	DB93-11463A	ASSY DISPLAY	ASSY	1	-	SA
	DB93-11463B	ASSY DISPLAY	ASSY	-	1	SA
10-7	DB63-02841A	FILTER-PRE	PP, GRAY	1	1	SA
10-8	DB61-04719A	FRAME-GRILLE P	HIPS, DARK GRAY	1	-	SA
	DB61-04720A	FRAME-GRILLE D	HIPS, DARK GRAY	-	1	SNA
10-9	DB66-01591A	LINK-GRILLE	POM	1	1	SNA
10-10	DB64-02635A	WINDOW-GRILLE SHEET	PC	1	-	SNA
10-11	DB64-02634A	GRILLE-CMP	PMMA	1	-	SNA
10-12	DB64-02629A	WINDOW-GRILLE P	PMMA BLUE BLACK	1	-	SNA
	DB64-02630A	WINDOW-GRILLE D	PMMA WHITE PEAL	-	1	SNA
11	DB97-16982A	ASSY COVER TERMINAL	ABS, DARK GRAY	1	-	SA
	DB97-16982B	ASSY COVER TERMINAL	ABS, PIGEON GRAY	-	1	SA

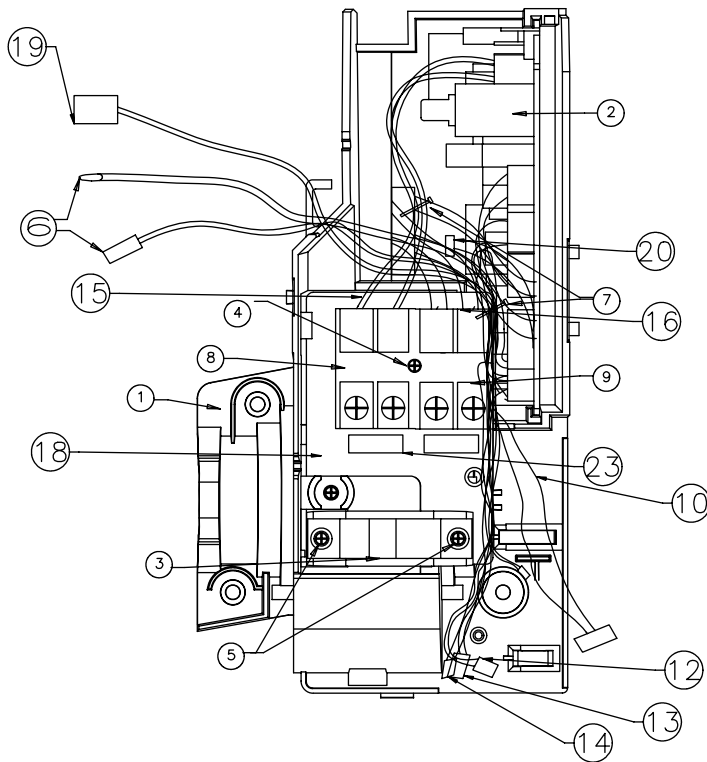
5-2 Outdoor Unit



■ Parts List

No.	Code	Description	Specification	Qty			SA/SNA
				AQV09/12KBAX	AQV09/12YWAX	AQV18KBAX/AQV18YWAX	
1	DB90-05752A	ASSY CABI FRONT-COATING	ASSY	1	1	1	SA
2	DB63-02588A	GUARD FAN	PP	1	1	1	SA
3	DB90-06226A	ASSY-BASE OUT	ASSY	1	1	1	SA
4	DB90-05738A	ASSY BRACKET-VALVE	ASSY	1	1	1	SA
5	DB31-00564A	MOTOR FAN	ASSY	1	1	1	SA
6	DB94-02657A	ASSY FAN-PROPELLER	ASSY	1	1	1	SA
7	6009-001729	SCREW-SPECIAL	M5, L26, ZPC (WHT)	4	4	4	SNA
8	DB60-30020A	NUT-HEXAGON FLANGE	M6, Zn-Ni, CW	1	1	1	SNA
9	DB90-06219D	ASSY BRACKET MOTOR	ASSY	1	-	1	SA
	DB90-06219C	ASSY BRACKET MOTOR	ASSY	-	1	-	SA
10	DB90-05736A	ASSY CABINET-UPPER	ASSY	1	1	1	SA
11	DB94-02998B	ASSY PARTITION	ASSY	1	1	1	SA
12	DB27-00041B	COIL CHOKE-REACTOR	5mH, 10%, 10A	1	1	-	SA
	DB27-00043B	COIL CHOKE-REACTOR	5mH, 5%, 16A	-	-	1	SA
13	DB96-14917A	ASSY COND	ASSY	1	-	-	SA
	DB96-14918A	ASSY COND	ASSY	-	1	-	SA
	DB96-15137A	ASSY COND	ASSY	-	-	1	SA
14	DB90-06221A	ASSY-SCREEN COND BAR	ASSY	1	1	1	SA
15	DB90-05751A	ASSY CABI RH-COATING	ASSY	1	1	1	SA
16	DB90-05740A	ASSY COVER-VALVE	ASSY	1	1	1	SA
17	DB90-05749A	ASSY CABI LF-COATING	ASSY	1	1	1	SA
18	UG9T115FUAJQSS	COMPRESSOR	RCP, 39, F, R410A	1	-	-	SA
	UG9A090FUBJPSS	COMPRESSOR	RCP, 39, F, R410A	-	1	-	SA
	UG4T150FUAJQSS	COMPRESSOR	RCP, 44, F, R410A	-	-	1	SA
19	6021-001142	NUT-HEXAGON FLANGE	M5, ZPC (YEL)	1	1	1	SNA
20	DB60-30028A	SCREW-HEX	M8, -, ZPC (WHT)	3	3	3	SNA
21	DB99-01063A	ASSY-GROMMET	ASSY	3	3	-	SA
	DB63-02296A	GROMMET ISOLATOR	RUBBER NR, 44F	-	-	3	SA
22	DB63-02310A	COVER TERMINAL	N1250, 5VA	1	1	1	SA
23	DB63-00817B	GASKET	EPDM RUBBER	1	1	1	SA
24	DB63-02859A	FELT-SIDE TOP	FELT+PVC	1	-	-	SA
	DB63-02863A	FELT-COMP UPPER OUT	FELT+PVC	-	1	-	SA
	DB63-02865A	FELT-COMP UPPER OUT	FELT+PVC	-	-	1	SA
25	DB63-02858A	FELT-COMP	FELT	1	-	-	SA
	DB63-02861A	FELT-COMP SIDE	FELT	-	1	-	SA
	DB63-02862A	FELT-COMP SIDE	FELT	-	-	1	SA
26	DB63-02857A	FELT-SIDE	FELT+PVC	1	-	-	SA
	DB63-02860A	FELT-COMP SIDE OUT	FELT+PVC	-	1	-	SA
	DB63-02866A	FELT-COMP SIDE OUT	FELT+PVC	-	-	1	SA
27	DB63-02864A	FELT-COMP BASE	FELT	1	1	1	SA
28	DB93-10960A	ASSY CONTROL OUT	ASSY	1	1	-	SA
	DB93-10960B	ASSY CONTROL OUT	ASSY	-	-	1	SA
28-1	DB93-10952A	ASSY PCB MAIN-OUT	ASSY	1	1	1	SA
29	DB96-14948A	ASSY-VALVE 4WAY	ASSY	1	-	-	SA
	DB96-15215A	ASSY-VALVE 4WAY	ASSY	-	1	-	SA
	DB96-15136A	ASSY-4WAY VALVE	ASSY	-	-	1	SA
30	DB96-14976A	ASSY-VALVE EEV	ASSY	1	-	-	SA
	DB96-15216A	ASSY-EEV	ASSY	-	1	-	SA
	DB96-15135A	ASSY-EEV	ASSY	-	-	1	SA
30-1	DB62-03916A	VALVE-EXPANSION BODY	FUJIKOKI Φ 1.4	1	1	-	SNA
	DB62-04065A	VALVE-EXPANSION BODY	DC12V, 1/2, 1.6mm	-	-	1	SNA
30-2	DB62-03964A	VALVE EXPAN-COIL	FUJIKOKI 6-PIN	1	1	-	SNA
	DB62-05932B	VALVE EXPAN-COIL	SANHUA 6-PIN	-	-	1	SNA

5-3 ASSY-CONTROL IN

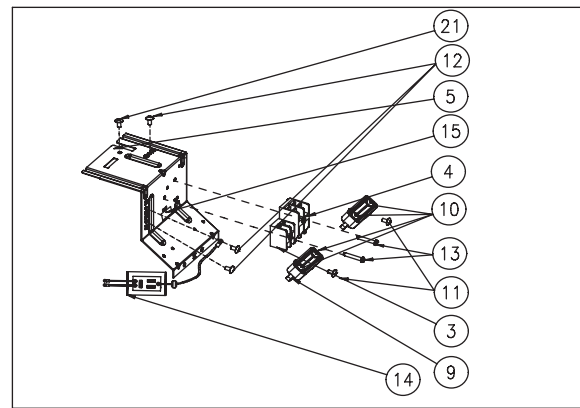
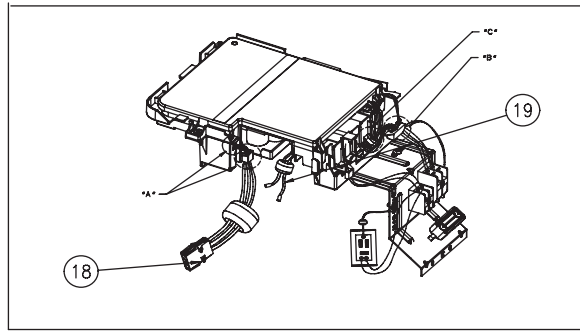
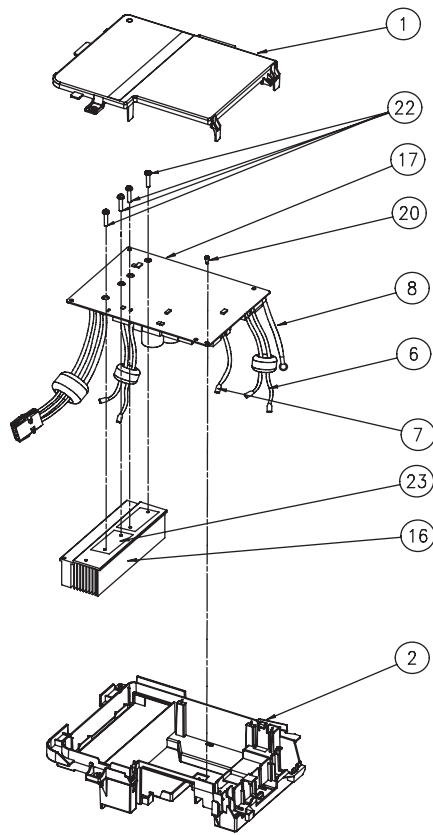


PartList

ASSY CONTROL IN CODE			DB93-10958B	
NO	NAME	SPEC	CODE-NO	QTY
1	CASE CONTROL IN	MALDIVE	DB61-04726A	1
2	ASS'Y PCB MAIN	MALDIVE3	DB93-10956B	1
3	HOLDER WIRE CLAMP	ABS, BLK, V21-PJ	DB61-01097A	1
4	SCREW	PH M3*L25	6001-000929	1
5	SCREW	TH M4*L10	DB97-02418A	3
6	ASS'Y THERMISTOR	3*, BLK, SMH200, WHT	DB95-04570E	1
7	CABLE TIE		DB65-10088D	2
8	TERMINAL BLOCK	[1(L), 2(N), F1, F2]	DB65-00176C	1
10	MAIN PBA TO DISPLAY	10 PIN TO 9 PIN	DB93-10918L	1
11	MAIN PBA TO TERMINAL	2 PIN	DB93-10917A	0
12	ASSY C/W LOUVER	5 PIN, 250mm, WHITE	DB93-10918D	1
13	ASSY C/W LOUVER	5 PIN, BLK	DB93-10918E	1
14	ASSY C/W LOUVER	5 PIN, RED	DB93-10918K	1
15	POWER IN WIRE	2 PIN	DB93-10942A	1
16	COMM WIRE	2 PIN	DB95-04339D	1
17	MP1 WIRE	4 PIN, 100mm	DB93-04695B	1
18	PLATE CONTROL IN	JUNGFRAU	DB61-04724A	1
19	ASS'Y HUMIDITY	3PIN	DB95-01703A	1
20	FJM WIRE	10PIN	DB93-10943H	1
21	LABEL	LABEL	DB68-02809A	1
22	COMMUNICATION LA		DB98-33292A	1
23	POWER LABEL	LABEL	DB98-33293A	1

5-4 Ass'y Control Out

■ A QV**KBAX
A QV**YWAX



ASSY CONTROL OUT CODE				DB93-10960A	DB93-10960B
通用型号				AC FAN 9/12K 150 COMP 欧洲向 AQV12PSBX AQV09PSBX	AC FAN 18K 150 COMP 欧洲向 AQV18PWAX
NO	CODE-NO	NAME	SPEC	QTY	QTY
1	DB61-04659A	CASE CONTROL-COVER	SI	1	1
2	DB61-04658A	CASE CONTROL-BASE	SI/OI	1	1
3	DB65-00297A	TERMINAL BLOCK	TERMINAL BLOCK-ASSY	1	1
4	DB65-00298B	TERMINAL BLOCK	TERMINAL BLOCK-ASSY	1	1
5	DB61-04324A	PLATE-CONTROL OUT	SI	1	1
6	DB93-09495E	WIRE-POWER	AWG16, BRN, SKYBLU	1	1
7	DB93-09496A	WIRE-COMUNICATION	AWG22, RED, BLU	1	1
8	DB93-09494A	WIRE-EARTH	AWG20, GRNYEL	1	1
9	DB61-00250A	HOLDER-WIRE CLAMP	HOLDER-WIRE CLAMP	2	2
10	6002-000214	SCREW	TH, +, -, 1, M4.0, L16, ZPC(BLK)	4	4
11	6001-001054	SCREW	M4, L25	2	2
12	6009-001001	SCREW	TH+	3	3
13	6002-000555	SCREW	M4, L25	2	2
14	DB95-01712L	ASSY NOISE ABSORBER	*	1	1
15	DB98-32314E	LABEL	COMM/POWER	1	1
16	DB62-09724A	HEAT SINK	OI	1	0
	DB62-09725A	HEAT SINK	SI	0	1
17	DB93-10952A	ASSY PCB MAIN	SI	1	1
18	DB93-09497B	WIRE-COMP	AWG16, RED, BLU, YEL	1	1
19	DB93-09493B	WIRE-REACTOR	AWG16, WHT	1	1
20	6002-000630	SCREW	PH +	1	1
21	6002-000527	SCREW	M4, L10	1	1
22	DB91-00306A	ASSY-SCREW MACHINE	M3, L16	4	4
23	DB98-24813A	THERAL GREASE	NYLON66	2g	2g
24	DB65-10088D	CABLE-TIE		0	0