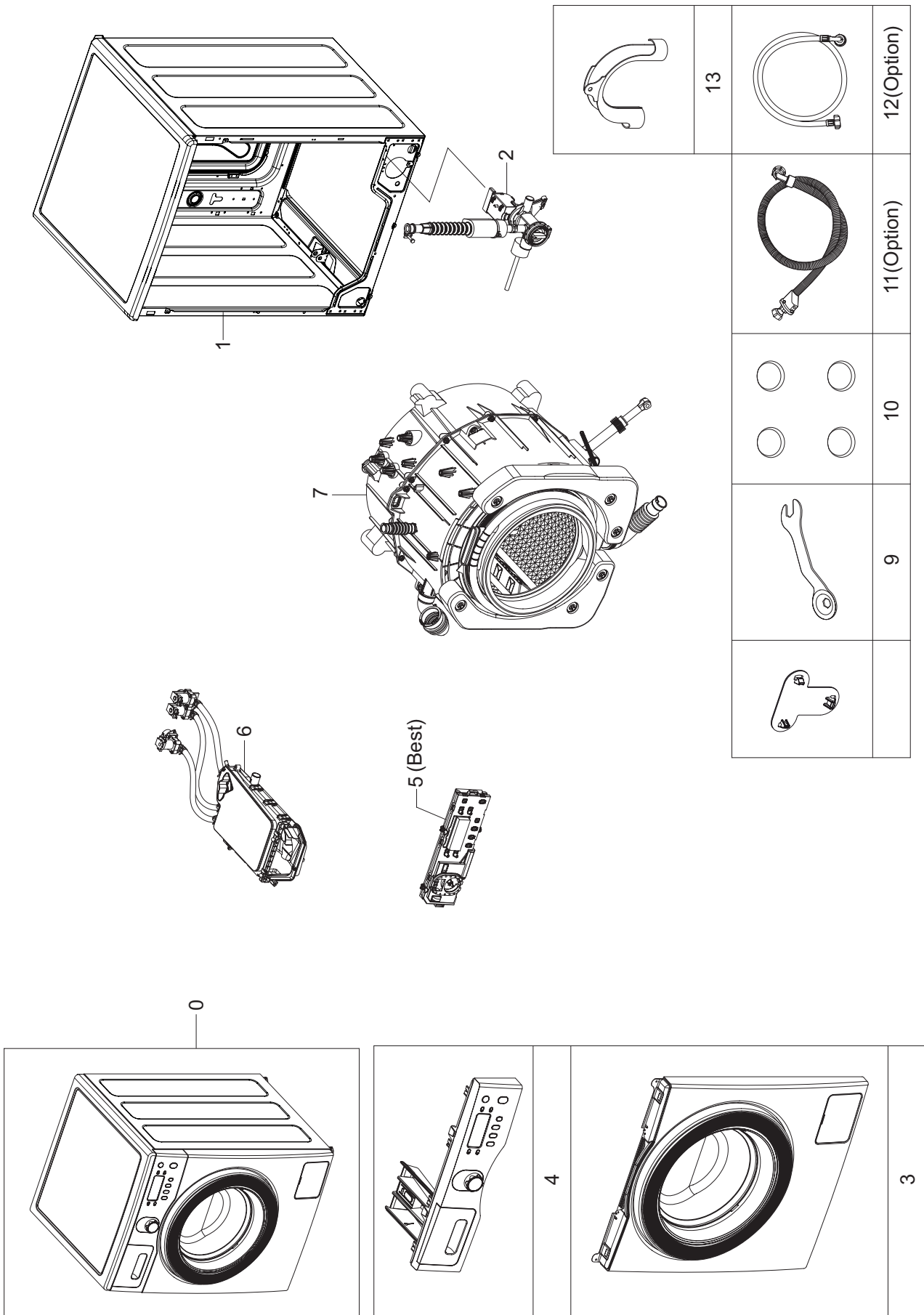


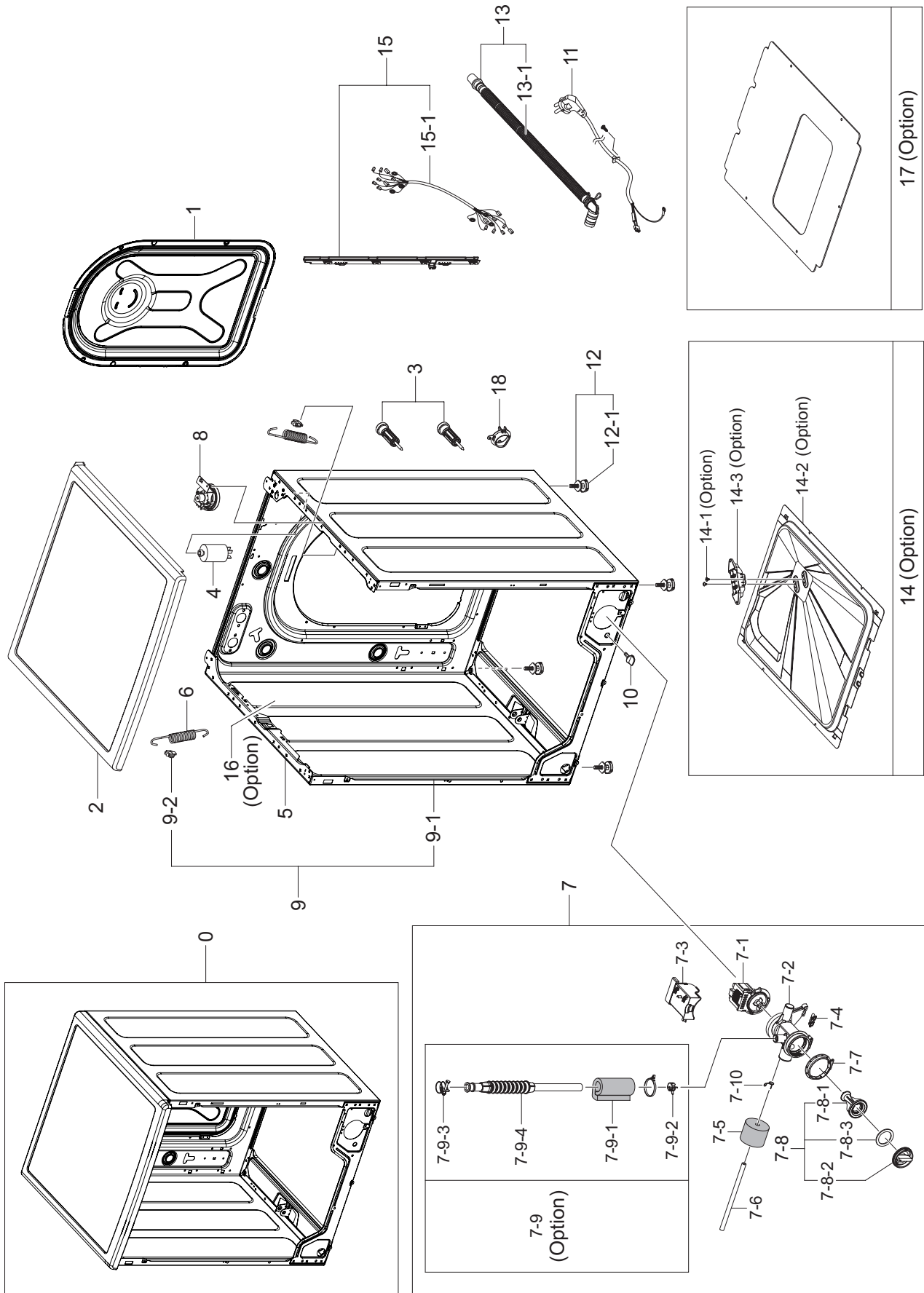
1-1. MAIN



MODEL CODE: WF1802WPC/XECService Bom (**SA**: SERVICE AVAILABLE, **SNA**: SERVICE NOT AVAILABLE)

Drawing No.	Code No.	Description	Specification	QTY	Un	SA/SNA
0	-	WF1802WPC_YAH	SET			
1	-	FRAME & COVER PARTS	Refer to 5.2 Frame & Cover Parts			
2	DC97-15696J	ASSY PUMP DRAIN	HEBA DD,WF0804W8N,BUBBLE	1	PC	SA
3	DC97-16454A	ASSY FRAME FRONT	HEBA-PJT,WF8804DPA/XEO,WHITE	1	PC	SA
4	-	PANEL-CONTROL & DRAWER	Referto5.4Control&Drawer			
5	DC92-00651A	ASSY PCB MAIN	Vistula best PJT,WF1804WPC	1	PC	SA
6	DC97-16005J	ASSY HOUSING DRAWER	VISTULA,WF1804WPC/XE	1	PC	SA
7	DC90-13689A	ASSY TUB&DRUM	WF1800WPC/YAH	1	PC	SNA
9	DC60-00104A	FASTENER-BOLT	ALL,CR-SPCC,2.0,L113.5	1	PC	SA
10	DC67-00307A	CAP-FIXER	WF438AAC/XAA,PP,T1.5,Φ33,-,WHT,PURPLE-PJT	4	PC	SA
12	DC97-16921A	ASSY HOSE WATER	WA5700J	1	PC	SC
13	DC62-10278A	HOSE-HANGER	PP,NTR,JS20RESIN	1	PC	SA
14	DC67-00208B	CAP-FIXER	WF8602NHS/XFA,PP,T1.5,P535-H,B	1	PC	SA

1-2. FRAME & COVER PARTS



MODEL CODE: WF1802WPC/XEC

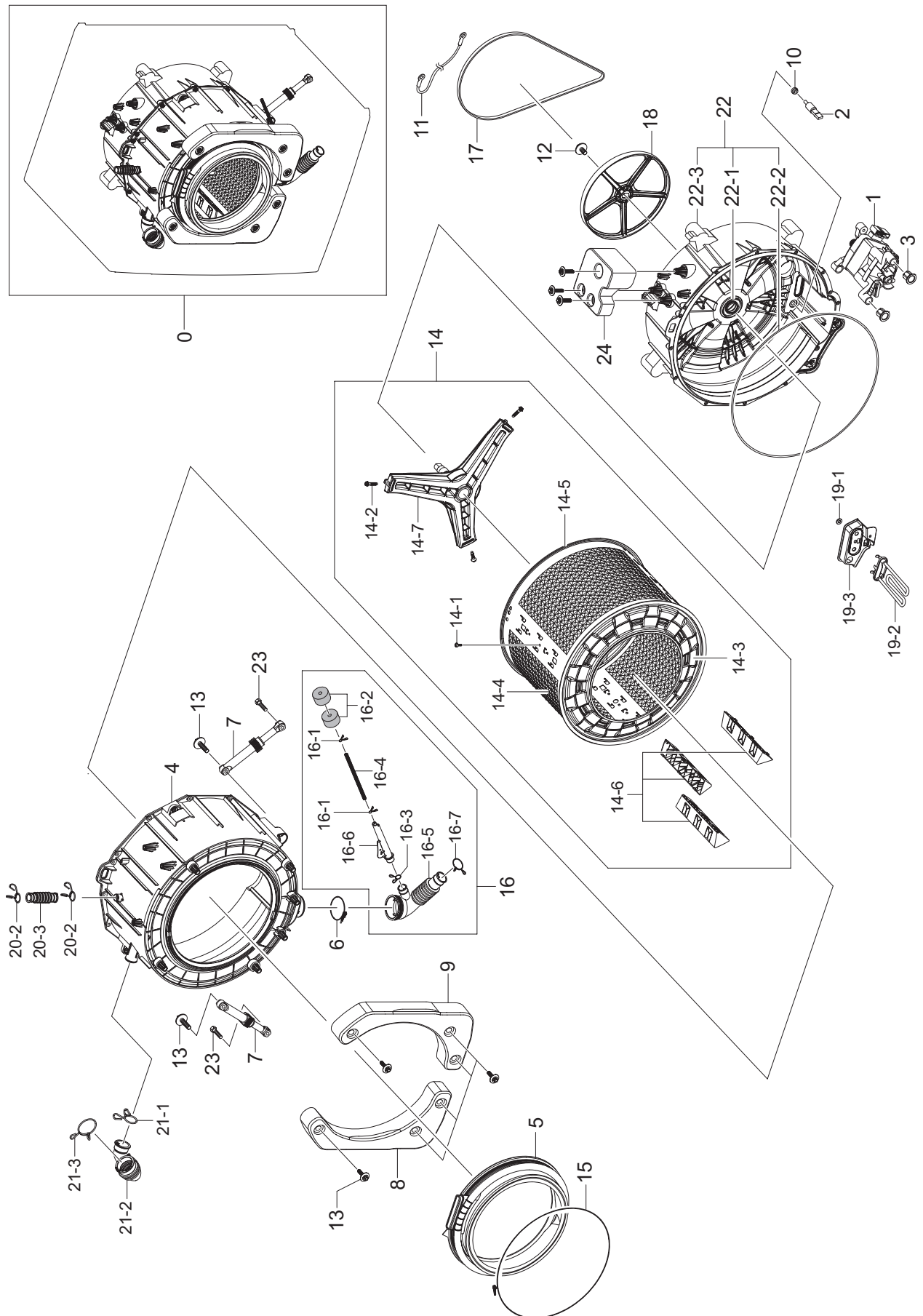
Service Bom (SA: SERVICE AVAILABLE, SNA: SERVICE NOT AVAILABLE)

Drawing No.	Code No.	Description	Specification	QTY	Un	SA/SNA
0	FRAME & COVER PARTS	Refer to 5.2 Frame & Cover Parts	1			
1	DC63-00862C	COVER-BACK	WF8600NMW,GI-SGCC,T0.35,W352,	1	PC	SA
2	DC97-14953A	ASSY COVER TOP	HEBA-PJT,-,WOOD+ALFOIL+URETHANE,9.2(WOOD)/T0.35(ALFOIL),150X200(ALFOIL),-	1	PC	SA
3	DC97-14653C	ASSY FIXER TUB	SCOUT,WF0804Y8E/XEF	4	PC	SA
4	DC29-00005A	FILTER-EMI	FA-2151T-1,P/PV-PJT,250V,15A,D38*51(+BOLT,NUT),-,-,VDE,-,-	1	PC	SA
5	DC97-16466A	ASSY FRAME PLATE(U)	HEBA-SSEC PJT,WF8804HPA/XEH,GI,T1.2,NTR	1	PC	SA
6	DC61-02029A	SPRING ETC-HANGER	HEBA,HSWR,CD3.5,ID24.8	2	PC	SA
7	DC97-15696J	ASSY PUMP DRAIN	HEBA DD,WF0804W8N,BUBBLE	1	PC	SA
7-1	DC31-30008D	PUMP-DRAIN	SW-70XP,220/240V,50Hz,SYNCHRO	1	PC	SA
7-2	DC61-02271B	CASE-PUMP	WF0804Y8E/XEF,PP,T2.5,W153.6,L	1	PC	SNA
7-3	DC63-01410A	COVER-PUMP	COVER-PUMP,PP,T1.3,W50,L77,V0	1	PC	SNA
7-4	DC63-00905A	CUSHION-PUMP	WF8802DPF/XET,NBR,-,W37.6,L11.6,BLK,-	1	PC	SNA
7-5	DC63-10003C	SPONGE-HOSE AIR	POL,GRY,SWF-P12,HB22-GREY,	1	PC	SNA
7-6	DC67-00244M	HOSE DRAIN	AEGIS,EPDM,ID6,OD10,T2.0,L270	1	PC	SNA
7-7	DC69-01128A	PACKING-PUMP	WF8804DP,RUB-OTH,BUTYL,T2.5,W74,L74,11.6,BLK,10.8g,-,-,-,HEBA-PJT	1	PC	SNA
7-8	DC97-15695C	ASSY FILTER	Heba,WF9904CWN1	1	PC	SA
7-8-1	DC63-00998A	FILTER-PUMP	WF8702LSW,PP,T2.0,W52.8,L93.	1	PC	SA
7-8-2	DC64-02783A	HANDLE FILTER	WF350ANW/XAA,PP,T2.3,W63.8	1	PC	SA
7-8-3	DC73-00022A	RUBBER-PACKING	SEW-HVR149ATA,EPDM,-,40,-,BLK,-,-,-,-	1	PC	SA
7-10	DC61-00158A	CLAMPER HOSE	SW65ASP,SK5,ID23,T0.8,-	1	PC	SNA
8	DC96-01703A	ASSY SENSOR PRESSURE	AEGIS-PJT,-,-,DRUM/PCBTYPE,-,-	1	PC	SA
9	DC97-16438Q	ASSY FRAME	VISTULA 8KG,WF1802WSW/XEF,PCM	1	PC	SNA
9-1	DC61-02939A	FRAME	HEBA-SSEC,GI-SGCC,NTR,T0.8,W598.4,L792,7KG	1	PC	SNA
9-2	DC61-02065A	GUIDE-SPRING	WF448AAG/XXA,POM,T4,W24,L25.5,WHT,-	1	PC	SA
9-3	DC61-02065A	GUIDE-SPRING	WF448AAG/XXA,POM,T4,W24,L25.5,WHT,-	1	PC	SA
10	DC61-10673C	CAP DRAIN	WF1802XEY/XSC,FRPP,BLACK	1	PC	SA
11	DC96-00146A	ASSY POWER CORD	UCP2,250V/16A,-,1500/EUR	1	PC	SA
12	DC97-00920H	ASSY LEG	-,ALL EXCEPT AUSTRALI MODEL,L33	4	PC	SA
12-1	DC97-00920H	ASSY LEG	-,ALL EXCEPT AUSTRALI MODEL,L33	4	PC	SA
13	DC97-02250Z	ASSY HOSE DRAIN(O)	COMBO-PJT,L1920,OD25,WHT	1	PC	SA
13-1	DC62-10022G	HOSE-PUMP	SWF-P12,PP,ID21,OD26,-,L2200,WHT,-	1	PC	SNA
14	DC97-16443C	ASSY COVER BOTTOM	VISTULA 6A MODEL,WF180	1	PC	SA
15	DC93-00273A	ASSY M.GUIDE WIRE HARNESS	VISTULA,WF1804	1	PC	SA

MODEL CODE: WF1802WPC/XECService Bom (**SA**: SERVICE AVAILABLE, **SNA**: SERVICE NOT AVAILABLE)

Drawing No.	Code No.	Description	Specification	QTY	Un	SA/SNA
15-1	DC96-00814E	ASSY M. WIRE HARNESS	Vistula PJT,SUB PBA	1	PC	SNA
18	DC61-02646A	GUIDE-HOSE	WF0804Y8E,PP,T2.0,W10.0,L36.6	2	PC	SNA

1-3. ASS'Y TUB DRUM



MODEL CODE: WF1802WPC/XEC

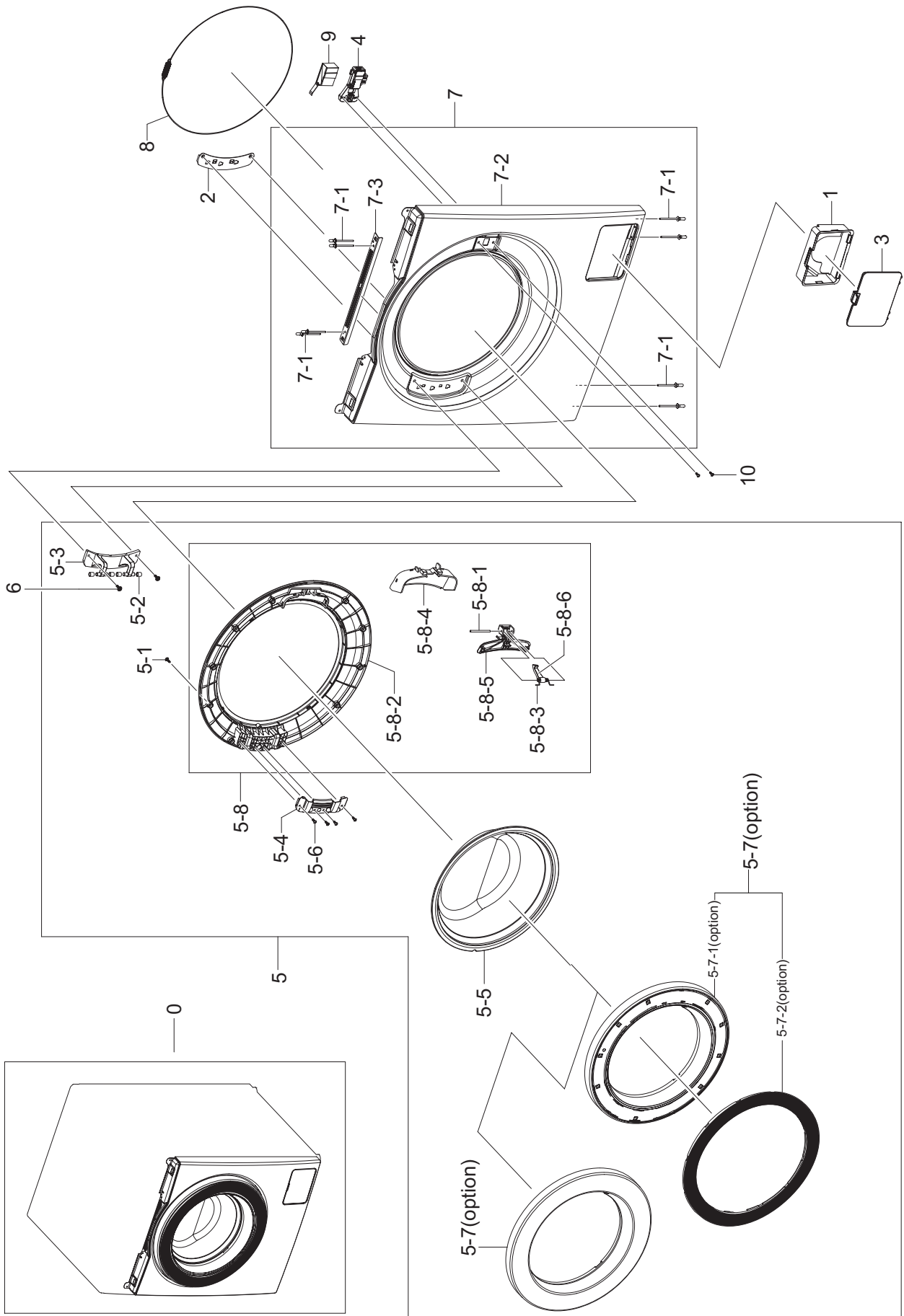
Service Bom (SA: SERVICE AVAILABLE, SNA: SERVICE NOT AVAILABLE)

Drawing No.	Code No.	Description	Specification	QTY	Un	SA/SNA
0	DC90-13689A	ASSY TUB&DRUM	WF1800WPC/YAH	1	PC	SNA
1	DC31-00123B	MOTOR UNIVERSAL-DRUM	UML 5202.01,1200,22	1	PC	SA
2	DC32-00010A	THERMISTOR	-,11982OHM AT 25□,-,-55~155,-	1	PC	SNA
3	DC61-02549A	BUSH-MOTOR	HEBA BIGBANG,NYLON,ID16,OD19,	2	PC	SNA
4	DC61-01932D	TUB-FRONT	HEBA PJT,FRPP,ID528,OD575,NTR,	1	PC	SA
5	DC64-01602A	DOOR-DIAPHRAGM	HEBA-PJT,EPDM,T2.0,-,-,-,	1	PC	SA
6	DC65-00021A	CLAMPER HOSE-JOINT	HEBAPJT,HSWR,-,ID74/OD78,WHT,-	1	PC	SNA
7	DC66-00421B	DAMPER-SHOCK	HEBA-SSEC PJT,PP,L215,80N	2	PC	SC
8	DC97-15966A	ASSY WEIGHT BALANCER-(R)	SCOUT-PJT,WF080	1	PC	SA
9	DC97-16008A	ASSY WEIGHT BALANCER-(L)	SCOUT-PJT,WF080	1	PC	SA
10	DC69-00824A	PACKING-THERMISTOR	GW-PJT,EPDM,-,-,W17,H	1	PC	SNA
11	DC93-00015A	ASSY WIRE EARTH	AEGIS,5KG,230V/50HZ,EARTH WIRE,AEGIS,-	1	PC	SA
12	6011-001498	BOLT-HEX	M10,L27,ZPC(YEL),SWRCH10AK,WSP,	1	PC	SA
13	DC97-14263A	ASSY BOLT	MOTOR/BOLT(M8)+WASHER(OD27.5),	4	PC	SA
13	6011-003934	ASSY BOLT	M7.6,L48,ZPC(WHT),SCM 435,WASHER	3	PC	SA
13	6011-003934	ASSY BOLT	M7.6,L48,ZPC(WHT),SCM 435,WASHER	6	PC	SA
14	DC97-17677A	ASSY DRUM	WF8802DPF1/XET	1	PC	SA
14-1	6002-001006	SCREW-TAPPING	TH,+,-,2S,M4,L12,PASS,STS430,-	3	PC	SNA
14-2	DC60-40137A	BOLT-HEX	MARS-PJT,STS430,M8,-,P1.25,L30,-,-,HEX/ KNURING	3	PC	SA
14-3	DC66-00489A	DRUM FRONT	HEBA PJT,STAINLESS-STS430,ID3	1	PC	SNA
14-4	DC66-00768A	DRUM WRAPPER	SCOUT,STAINLESS-STS430,OD 4	1	PC	SNA
14-5	DC66-00492A	DRUM-BACK	HEBAPJT,STS430,ID492,OD492.4,T0.5	1	PC	SNA
14-6	DC66-00493A	DRUM-LIFTER	HEBAPJT,PP-TI42,-,-,L246,NTR,7/8KG	3	PC	SA
14-7	DC97-16677B	ASSY FLANGE SHAFT	WF8802DPA1	1	PC	SA
15	DC91-12077G	ASSY CLAMP DIAPHRAGM	AEGIS,WF8500NHW/YLP,-,72A/ZPC2-YEL,-,-	1	PC	SA
16	DC97-14637G	ASSY HOSE PRESSURE	SCOUT COMBO,WD0804W8N	1	PC	SA
16-1	DC61-70029C	SPRING-CLIP	SEW-HW125,HSWR67,CD1.2,ID8.5,OD10.9,-,-,-	1	PC	SNA
16-2	DC63-10003C	SPONGE-HOSE AIR	POL,GRY,SWF-P12,HB22-GREY,	2	PC	SNA
16-3	DC72-00001G	CLIP-RING	HEBA-PJT,HSWR,T2.4,ID49.5,W21.	1	PC	SNA
16-4	DC67-00230E	HOSE-WATER	WD8704,TPE,ID4.5,OD8.0,T1.75,	1	PC	SNA
16-5	DC67-00293A	HOSE-FILTER TUB	HEBA-PJT,EPDM,-,-,T2.5,-,BLK,-	1	PC	SA
16-6	DC67-00598A	HOSE-JIONT AIR	WD0804W8N1/YAH,PP,ID36.2,	1	PC	SNA
16-7	DC72-00001H	CLIP-RING	HEBA-PJT,HSWR,PI3.0,ID35,WHT,H	1	PC	SNA
17	6602-001497	BELT-TIMING GEAR	-,RUBBER(GATES),T3.4,-,1270-5J,BLK	1	PC	SA
18	DC66-00500A	PULLEY-MOTOR	HEBA PJT,ALDC8,-,-,-,OD296.	1	PC	SA

MODEL CODE: WF1802WPC/XECService Bom (**SA**: SERVICE AVAILABLE, **SNA**: SERVICE NOT AVAILABLE)

Drawing No.	Code No.	Description	Specification	QTY	Un	SA/SNA
19-1	DC60-60044B	WASHER-PLAIN	-,SBC,ID8.4/OD30,T2.0,-,-,-,-,-	1	PC	SA
19-2	DC47-00033A	HEATER-WASH	HEBA,SUS316L+CERAMIC COATING,2000,8.69,23	1	PC	SC
19-3	DC63-00889C	COVER-HEATER	HEBA_120V,ABS+PC,T3.0,W160.0,L80.6,5VA	1	PC	SNA
20-2	DC65-60118J	CLIP-RING	HSWR,WHT,PI2.0/ID23	2	PC	SNA
20-3	DC67-00298A	HOSE-AIR	HEBA PJT,EPDM,-,-,T2.5,-,BLK,-	1	PC	SA
21-1	DC65-60118R	CLAMPER HOSE	AEGIS-PJT,HSWR,T3.0,ID36.5,-,WHT,-	1	PC	SA
21-2	DC67-00422A	HOSE-DRAWER TUB	HEBA-PJT,EPDM,ID42.5,OD46.5,T2.0,BLK	1	PC	SC
21-3	DC72-00001G	BAND-RING	HEBA-PJT,HSWR,PI3.0,W21.5,ID49.5,WHT,HOSE-	1	PC	SNA
22	DC97-16462B	ASSY SEMI TUB BACK	Heba PJT,WF8802SPG1/X	1	PC	SA
22-1	DC62-00008A	SEAL-OIL	-,NBR(SD35),BLK,-,-,-,NBU(PI15)	1	PC	SA
22-2	DC69-01154A	PACKING-TUB	WF8804DP,EPDM,EPDM,T5.0,-,L1650,-	1	PC	SA
22-3	DC61-01934D	TUB BACK	WF8802LSW,FRPP,528,575,HEBA 120	1	PC	SNA
23	DC60-40144A	BOLT-HEX	SM10C,L41,ZPC2(YEL),M10,ZPC2(YEL),DAMPER	2	PC	SA
24	DC67-00582A	WEIGHT BALANCER-UP	HEBA-PJT,CONCRETE,T89	1	PC	SA

1-4. ASS'Y FRAME FRONT

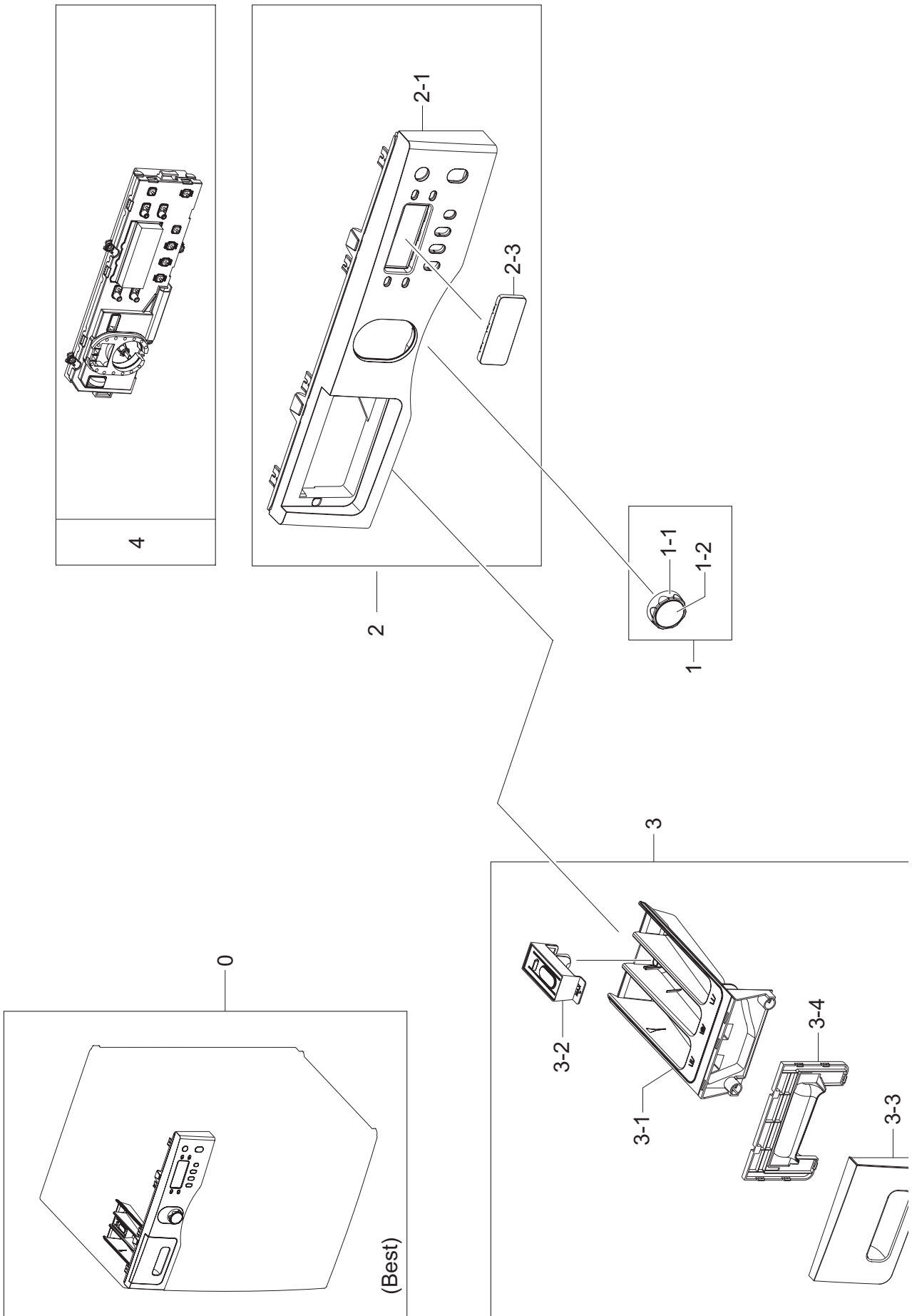


MODEL CODE: WF1802WPC/XEC

Service Bom (SA: SERVICE AVAILABLE, SNA: SERVICE NOT AVAILABLE)

Drawing No.	Code No.	Description	Specification	QTY	Un	SA/SNA
0	-	FRAME FRONT & DOOR				
1	DC61-01917B	GUIDE-FILTER	WF8804DP,PP,T2.5,W300,L200,	1	PC	SA
2	DC61-01919A	BRACKET-HINGE	WF8804DP,GI,T1.4,W30,L150,-,TAP	1	PC	SA
3	DC63-01516A	COVER-FILTER	WF8804DPA,ABS,T2.5,DA WHITE	1	PC	SA
4	DC64-01538A	DOOR-LOCK S/W	ZV-446L5,PA66,T19.5,-,W95.3,-,BLK,250V/16A	1	PC	SA
5	DC97-15005N	ASSY DOOR	HEBA,WF1804WPC/YFQ	1	PC	SNA
5-1	6002-001554	SCREW-TAPPING	BH,+,No,1,M4,L12,STS430,HE	11	PC	SNA
5-2	DC61-00891A	GUIDE-HINGE	HAUZEN(DOM),POM,-,-,-,WHT,HINGE	4	PC	SA
5-3	DC61-03189A	HINGE DOOR	WF8804DP,PA66,T5.0,Dark Holde	1	PC	SA
5-4	DC61-01915B	BRACKET-HOLDER	WF8804DP,GI,T1.2,W45,L160,-,-	1	PC	SA
5-5	DC64-01521A	DOOR-GLASS	WF8804DP,NON-HeatTreatment GLASS,T5.0,H100.5,-,-,NAT,BOROSILICATE	1	PC	SA
5-6	6002-000520	SCREW-TAPPING	TH,+,-,2,M4,L12,ZPC(WHT),S	4	PC	SNA
5-7	DC63-00856C	COVER-DOOR	WF1804WPC/XEU,ABS,T2.5,OD480,	1	PC	SA
5-7-1	-	COVER-DOOR	-	-	-	-
5-7-2	-	DECORATION-COVER DOOR	-	-	-	-
5-8	DC97-15375J	ASSY HOLDER GLASS	HEBA,WF0804Y8E1/YLP	1	PC	SA
5-8-1	DC64-00564A	HANDLE-PIN	Q1636GW/XEU,STS,-,-,-,-,TS-	1	PC	SA
5-8-2	DC61-01909B	HOLDER GLASS	HEBA PJT,PP,T2.5,DARK HOLDE	1	PC	SNA
5-8-3	DC61-02027A	SPRING ETC LEVER	STS304,CD1.2,L10.6	1	PC	SA
5-8-4	DC63-00853E	COVER HANDLE	HEBA,ABS,T2.5,-,VERSAILLES	1	PC	SA
5-8-5	DC64-01524C	HANDLE DOOR	HEBA,ABS,T2.5,HG-0760GP,-,VE	1	PC	SA
5-8-6	DC66-00497A	LEVER-DOOR	WF8804DP,ZNDC,T10,W10,L46,NI	1	PC	SC
6	6002-000445	SCREW-TAPPING	TH,+,2,M4,L18,PASS,STS304	4	PC	SNA
7	DC97-16454A	ASSY FRAME FRONT	HEBA-PJT,WF8804DPA/XEO,WHITE	1	PC	SA
7-1	DC60-00018A	RIVET-PLATE	-,MSWR,D3.9,-,-,L30,WHT,-,-	4	PC	SNA
7-2	DC61-02919A	FRAME-FRONT	WF8804HPA,EGI-SECC,T0.8	1	PC	SNA
7-3	DC61-01981A	BRACKET-FRAME	WF8804DP,GI,T0.8,W20,L310,-,-	1	PC	SNA
8	DC91-12078D	ASSY WIRE DIAPHRAGM	HEBA-PJT,-,-,-,-,-	1	PC	SA
9	DC63-00967A	COVER-DOOR SWITCH	AEGIS-PJT/ WF8500NHWP,PP,T2.5,W25.9,L 90.2,5VA GRADE,NTR,ZV-446	1	PC	SA

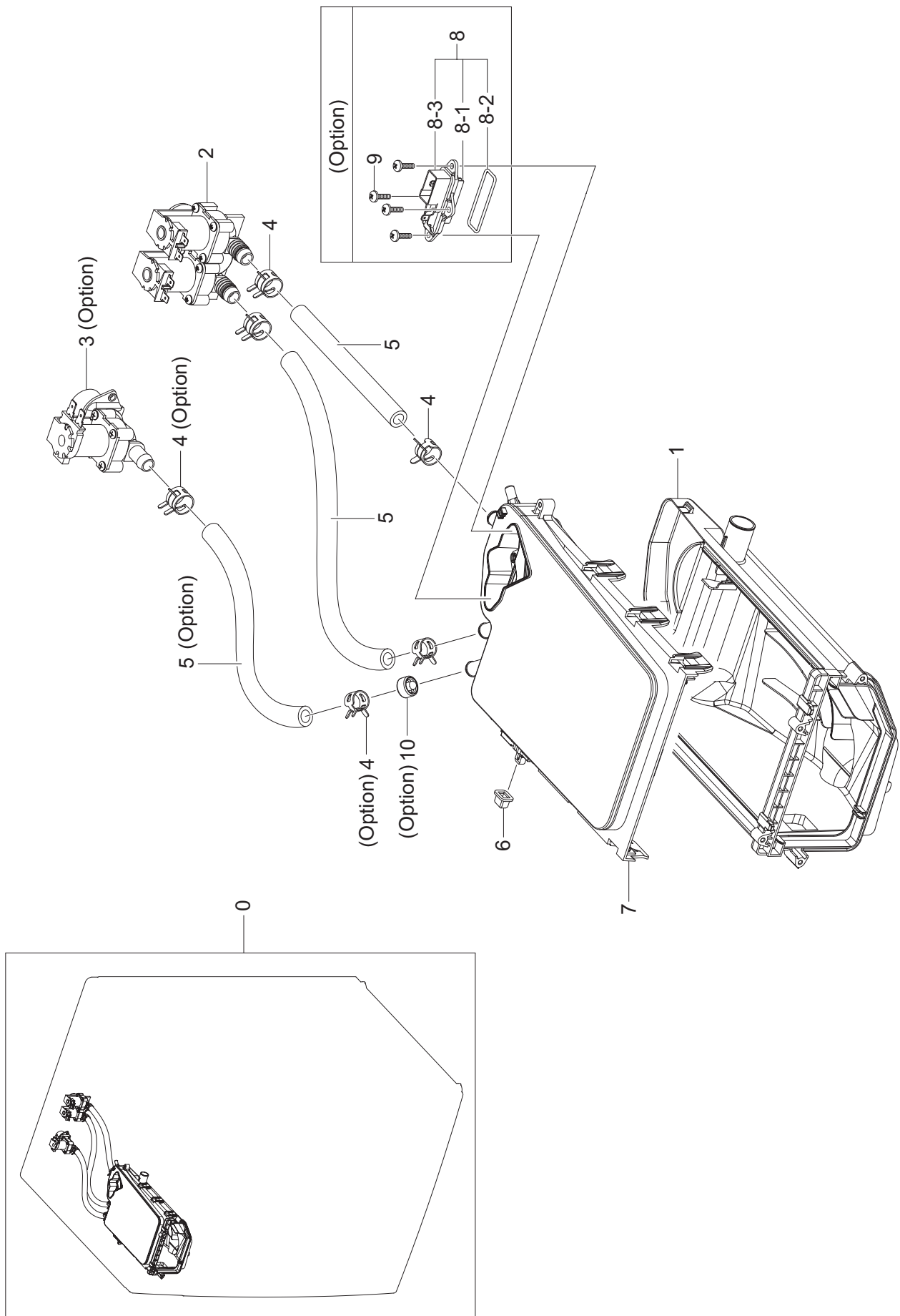
1-5. PANEL-CONTROL & DRAWER



MODEL CODE: WF1802WPC/XECService Bom (**SA**: SERVICE AVAILABLE, **SNA**: SERVICE NOT AVAILABLE)

Drawing No.	Code No.	Description	Specification	QTY	Un	SA/SNA
0		PANEL-CONTROL & DRAWER	Refer to 5.4 Control & Drawer	1		
1	DC97-17357A	ASSY KNOB ENCODER	SEINE/BAIKAL/VOLGA	1	PC	SA
1-1	DC64-02900A	KNOB ENCODER	SEINE-PJT,ABS,HB,SPARKLING	1	PC	SNA
1-2	DC64-02800A	DECORATION ENCODER	BAIKAL-PJT,ABS,T2.5,-	1	PC	SNA
2	DC97-16748R	ASSY PANEL CONTROL	VISTULA,WF1802WPC/XEC	1	PC	SA
2-1	DC64-01528A	PANEL-CONTROL	HEBA-PJT,ABS,T2.5,-,-,-,WH	1	PC	SNA
2-2	DC64-02698A	BUTTON-PUSH(F)	HEBA,ABS,WHT	1	PC	SNA
2-3	DC64-01531A	WINDOW-PANEL	HEBA-PJT,ABS,T2.0,-,-,-,BLK,HIGH	1	PC	SNA
2-4	DC64-01533A	WINDOW-ENCODER	HEBA,ABS,T2.0,-,-,-,BLK,HIGH/MID	1	PC	SNA
2-5	-	BUTTON-RUBBER	-	-	-	-
3	DC97-16500C	ASSY PANEL DRAWER	VISTULA,WF1702WPC/XEU,	1	PC	SA
3-1	DC61-03129A	BODY-DRAWER	WF1802XEC/YLP,PP,T2.0,WHT,VO	1	PC	SA
3-2	-	STOPPER-DRAWER	-	-	-	-
3-3	DC64-01526A	PANEL-DRAWER	HEBA-PJT,ABS,T2.5,W183.8,L115.2,-,WHT,-	1	PC	SNA
3-4	DC64-01527A	HANDLE DRAWER	HEBA-PJT,ABS,T2.0,HG-0760G	1	PC	SNA
4	DC92-00651A	ASSY PCB MAIN	Vistula best PJT,WF1804WPC	1	PC	SA

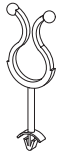


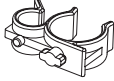


1-6. ASS'Y HOUSING DRAWER



MODEL CODE: WF1802WPC/XECService Bom (**SA**: SERVICE AVAILABLE, **SNA**: SERVICE NOT AVAILABLE)

Drawing No.	Code No.	Description	Specification	QTY	Un	SA/SNA
0	DC97-16005J	ASSY HOUSING DRAWER	VISTULA,WF1804WPC/XE	1	PC	SA
1	DC61-02434A	HOUSING-DRAWER(L)	HEBA-PJT,PP,T1.8,NTR	1	PC	SA
2	DC62-00024F	VALVE-WATER	B1215J,NYLON66/250TRMN,NTR,2-WAY(220~240V50/60Hz)ELBI/COLD	1	PC	SA
4	DC65-00008B	CLAMPER HOSE	SSEC-GE,SK5,-,Dacromet,T1.0	2	PC	SNA
5	DC67-00051B	HOSE-DRAWER	Q1636GW/XEU,EPDM,ID9.0,OD14.5,-,-,BLK,-	0.21	M	SNA
5	DC67-00051B	HOSE-DRAWER	Q1636GW/XEU,EPDM,ID9.0,OD14.5,-,-,BLK,-	0.27	M	SNA
6	DC67-00327A	CAP-DRAWER HOOK	HEBA-PJT,EPDM,T1.1,W13.9/L10.8,H9.2,BLK,-	1	PC	SNA
7	DC97-16006A	ASSY S.HOUSING DRAWER	SCOUT,WF0804Y8E,PP	1	PC	SNA

1-7. SMALL PARTS

					
1	3	4	5	6	7

MODEL CODE: WF1802WPC/XEC

Service Bom (SA: SERVICE AVAILABLE, SNA: SERVICE NOT AVAILABLE)

Drawing No.	Code No.	Description	Specification	Inst point	QTY	Un	SA/SNA
1	DC61-00995C	HOLDER-WIRE	HEBA-PJT, NYLON,ID26,W6,L145,NTR, HEBA-PJT	FRAME+MAIN(WIRE)	1	PC	SA
3	DC61-40081A	HOLDER-WIRE	DAWH- 2NC,NYLON,NTR(PI18.5)	WIRE(MAIN)+FRAME	3	PC	SA
3	DC61-40081A	HOLDER-WIRE	DAWH- 2NC,NYLON,NTR(PI18.5)	-	1	PC	SA
4	DC61-40083A	HOLDER-WIRE	DAWH- 3ND,NYLON,NTR(PI25)/ NYLON66	FRAME+HOSE(O)	1	PC	SNA
5	DC61-00133A	CLAMPER HOSE-FIX	P1291,PP,ID24.5,OD29.5,HO SE+PLUG,BJ-730	FRM+H-DRAIN+P-CODE	1	PC	SA
6	6502-000127	CABLE CLAMP	DAWH-18NB,ID15,- ,NYLON66,NTR	-	1	PC	SNA
7	DC61-00118A	CLAMPER HOSE-FIX	P1291,NYLON66,ID27,OD30	H-DRAIN(O)+FRAME	1	PC	SA

1-8. PARTS LIST (SA OTHER)

MODEL CODE: WF1802WPC/XEC

Service Bom (SA: SERVICE AVAILABLE, SNA: SERVICE NOT AVAILABLE)

Code No.	Description	Specification	Install. Point	QTY	Un	SA/ SNA
	DC61-40081A	HOLDER-WIRE	DAWH-2NC,PA,NTR(PI19.4)	10	PC	SA
	DC97-16460G	ASSY SEMI TUB FRONT	Heba,1400RPM,8KG,FRP	1	PC	SA
	DC92-00917B	ASSY PCB MAIN UNION	FWM_UNI,VISTULA,327*	1	PC	SA
	DC92-00655B	ASSY PCB SUB	P171,Vistula BEST SUB,WF180	1	PC	SA
	DC67-00524A	CAP DRAWER	WF0804Y8E/XEF,PP,T2.0,MT43, P	1	PC	SA
	DC61-02581C	GUIDE LIQUID-MIDDLE	WF1802XEC,PP,T2.0,MT	1	PC	SA
	DC61-02912A	BRACKET-SPRING(L)	HABA-SSEC,GI-SGCC,T1.4	1	PC	SA
	DC97-15993A	ASSY HOSE CIRCULATION	SCOUT,WF0804Y8E,EP	1	PC	SA

1-9. SCREW LISTS

MODEL CODE: WF1802WPC/XEC

Service Bom (SA: SERVICE AVAILABLE, SNA: SERVICE NOT AVAILABLE)

Code No.	Description	Specification	QTY	Un	SA/ SNA
6002-000445	SCREW-TAPPING	TH,+,NO,2S,M4,L18,PASS,STS	2	PC	SNA
6002-000520	SCREW-TAPPING	TH,+,-,2,M4,L12,ZPC(WHT),S	1	PC	SNA
6002-001438	SCREW-TAPPING	HWH,+,NO,1,M5,L12,ZPC(WHT)	2	PC	SNA
6006-001174	SCREW-TAPPING	TH,+,WT,2S,M4,L12,ZPC(WHT)	4	PC	SNA
6009-001343	SCREW-SPECIAL	PH,TORX,M4,L12,ZPC(WHT),SW	1	PC	SNA
DC97-14006C	ASSY SCREW	GRIFFIN-PJT,WF9904RWE,SWRCH18	2	PC	SNA
DC97-15858A	ASSY SCREW	trumph-PJT,WF-F1061/YLP,SWRCH	2	PC	SNA
6002-001436	SCREW-TAPPING	PH,+,2,M4,L18,ZPC(WHT),SWR	6	PC	SNA
6003-001563	SCREW-TAPTYPE	TH,+,S,M4,L8,NI PLT,SWRCH1	2	PC	SNA
6002-000520	SCREW-TAPPING	TH,+,-,2,M4,L12,ZPC(WHT),S	4	PC	SNA
6002-001554	SCREW-TAPPING	BH,+,No,1,M4,L12,STS430,HE	2	PC	SNA
6009-001522	SCREW-HEX	HWH,+,M5,L16,PASS,STS430,FP,SE	2	PC	SA
6002-001554	SCREW-TAPPING	BH,+,No,1,M4,L12,STS430,HE	11	PC	SNA
6002-000445	SCREW-TAPPING	TH,+,NO,2S,M4,L18,PASS,STS	4	PC	SNA
6002-000440	SCREW-TAPPING	PWH,+,2,M3,L8,ZPC(BLK),SWR	2	PC	SNA
6003-000269	SCREW-TAPTYPE	BH,+,-,S,M3,L6,ZPC(WHT),SW	2	PC	SNA
6002-000520	SCREW-TAPPING	TH,+,-,2,M4,L12,ZPC(WHT),S	4	PC	SNA
6003-001768	SCREW-TAPTYPE	TH,+,WT,S,M4,L10,ZPC(WHT),	2	PC	SNA
6006-001174	SCREW-TAPPING	TH,+,WT,2S,M4,L12,ZPC(WHT)	5	PC	SNA
6002-001327	SCREW-TAPPING	PWH,+,1,M4,L12,ZPC(WHT),SW	6	PC	SNA
6006-001174	SCREW-TAPPING	TH,+,WT,2S,M4,L12,ZPC(WHT)	2	PC	SNA
DE60-10080A	SCREW-TAPPING	PWH,+,-,2S,M5,L9,-,SWRCH18	2	PC	SNA
6002-000445	SCREW-TAPPING	TH,+,NO,2S,M4,L18,PASS,STS	4	PC	SNA
6002-000520	SCREW-TAPPING	TH,+,-,2,M4,L12,ZPC(WHT),S	1	PC	SNA
6002-000445	SCREW-TAPPING	TH,+,NO,2S,M4,L18,PASS,STS	2	PC	SNA
6002-001554	SCREW-TAPPING	BH,+,No,1,M4,L12,STS430,HE	2	PC	SNA
6003-001768	SCREW-TAPTYPE	TH,+,WT,S,M4,L10,ZPC(WHT),	1	PC	SNA
6002-001006	SCREW-TAPPING	TH,+,-,2S,M4,L12,PASS,STS4	3	PC	SNA