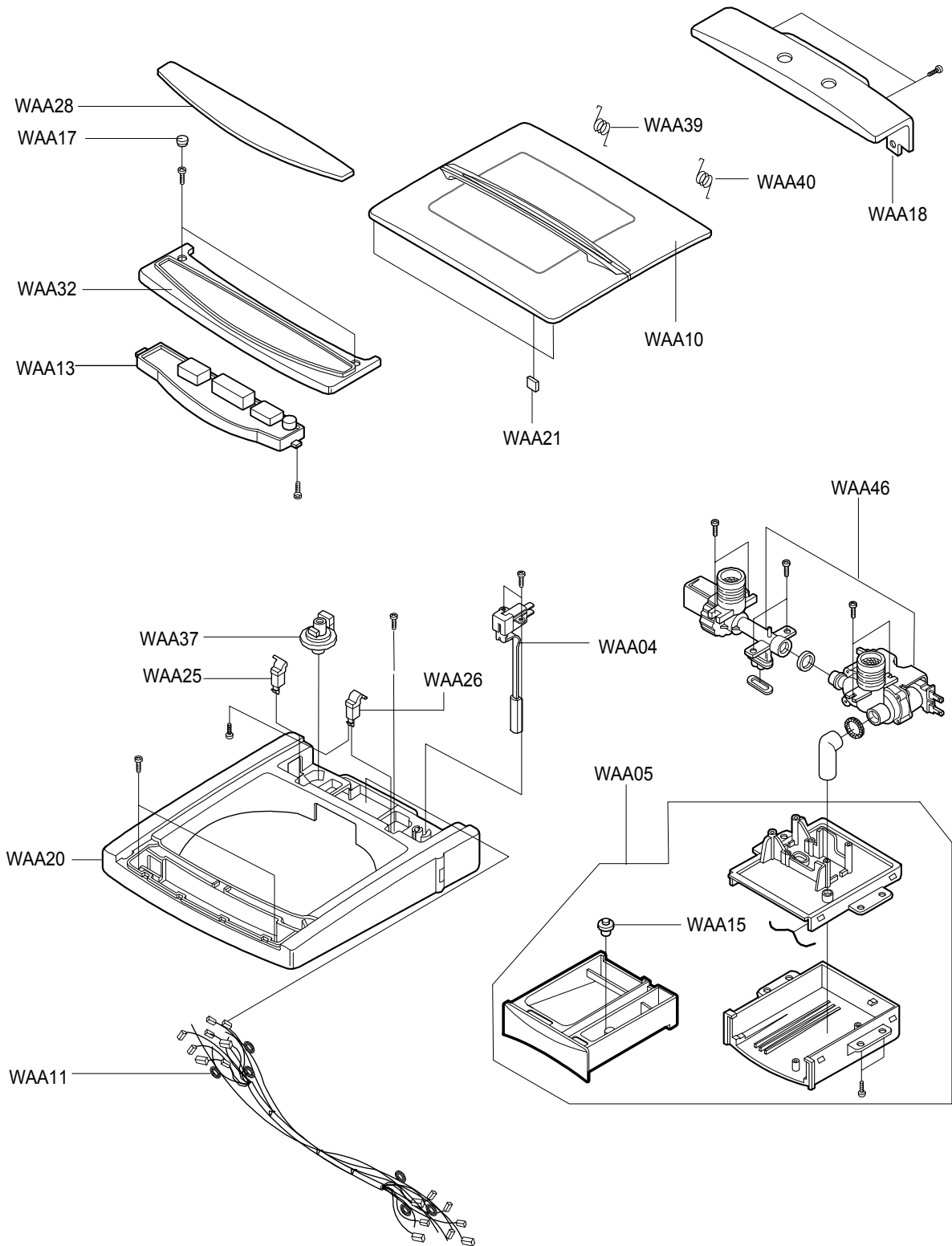


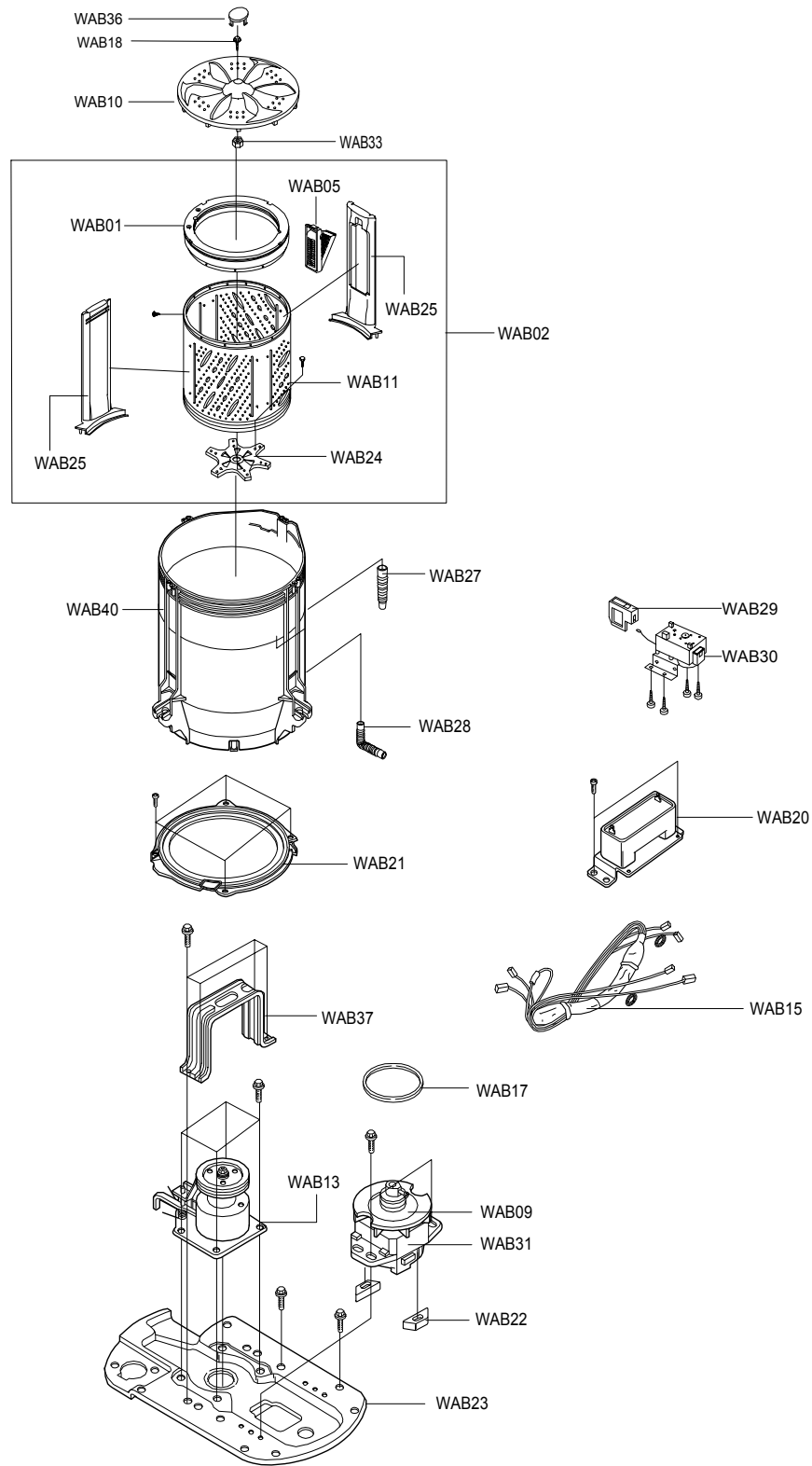
8. Exploded Views

ASSY-COVER TOP



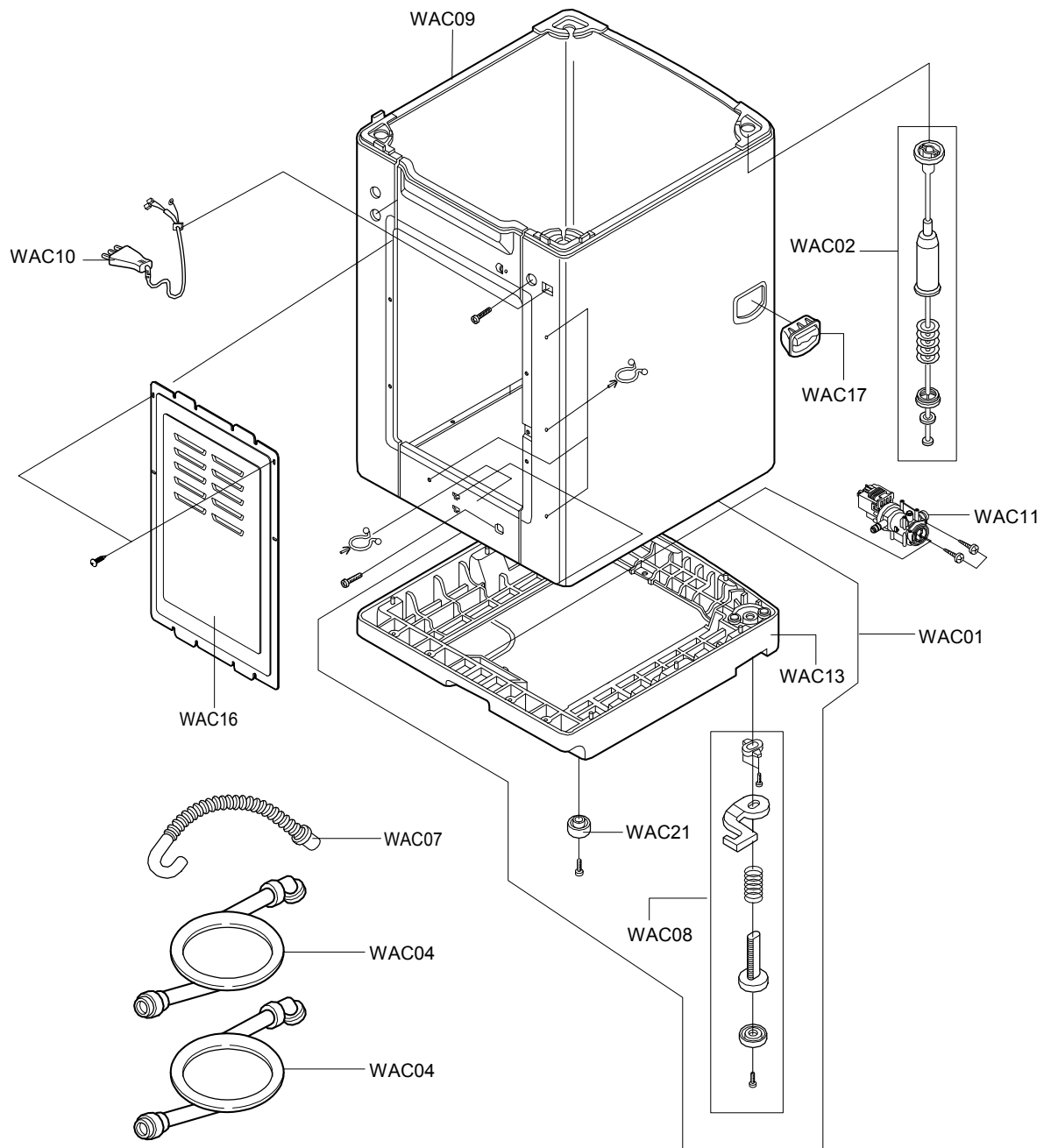
8. Exploded Views

ASSY-TUB OUTER(SPIN BASKET)



8. Exploded Views

ASSY-CASE OUTER



Parts List

LOCATION NO.	CODE NO.	DESCRIPTION;SPECIFICATION	Q'TY	REMARK
WAA04	DC90-10104D	ASSY-CHECKER S/W;SEW-110J,DC15V/50mA	1	
WAA05	DC97-00080U	ASSY-DETERGENT;SW10C1SP,SNOW/WHT(ENG)	1	
WAA10	DC97-02380D	ASSY-LID T.C.;SW1065D1 ,SNOW/WHT	1	
WAA11	DC96-00369A	ASSY-M.WIRE HARNESS;KS8,MAIN/THERMO	1	
WAA13	MF-1065HR8-01	ASSY PCB PARTS;WA1065D1IW	1	
WAA15	DC61-10564U	CAP-RINSE;-ABS,-,-,-,SNOW/WHT,WLSL110	1	
WAA17	DC61-10657K	COVER-SCREW;ABS,SNOW/WHT,WLSL1100A	2	
WAA18	DC63-00309D	COVER-T.C.;WA10K2Q1,ABS,-,-,-,SNOW/WHT,FULLY-/SPN	1	
WAA20	DC61-10200M	COVER-TOP;ABS,SNOW/WHT,WLSL1100A	1	
WAA21	DC61-60044J	CUSHION-LID;SW-46J1,NBR,-,-,-,T5.5+LIGHT	4	
WAA25	DC61-20029T	HINGE-DOOR(L);POM,-,-,SNOW/WHT,WLSL1100A	1	
WAA26	DC61-20029U	HINGE-DOOR(R);POM,-,-,SNOW/WHT,WLSL1100A	1	
WAA28	DC64-00197U	INLAY-PANEL;WA10K2Q1IW,PET,-,-,-,SNOW/WHT,SPN/LOCL	1	
WAA32	DC63-00189D	PANEL-CONTROL;SW1065D1,ABS,-,-,-,SNOW/	1	
WAA37	DC32-30006S	SENSOR PRESSURE;DN-S17,-,-,10KG/STANDARD	1	
WAA39	DC61-00487A	SPRING-Q(L);KS8-PJT,STEEL WIRE,CD1.8,-,-	1	
WAA40	DC61-00488A	SPRING-Q(R);KS8-PJT,STEEL WIRE,CD1.8,-,-	1	
WAA46	DC62-30303B	VALVE-WATER;SEW-100JL,PP,-,-,-,SEIL(HOT)	1	
WAA46	DC62-30307A	VALVE-WATER;SEW-851,PP,-,-,-,SEIL/COLD/2	1	
WAB01	DC97-00251B	ASSY-BALANCER;SW10C1(G8),SPIN/GRY	1	
WAB02	DC97-00355N	ASSY-BASKET SPIN;SEW-MA850,G8(10T)/(SPIN	1	
WAB05	DC97-00252E	ASSY-FILTER;8/10KG,ABS/EUN BI	1	
WAB09	DC66-10174B	PULLEY-MOTOR;ALDC,M20(50HZ),PCD60.8,SW-G	1	
WAB10	DC66-50195D	PULSATOR;-STS(L),ID(OVERPIN 7.775),OD23,-,-,SEM-10T(10KG)	1	
WAB11	DC91-10145D	ASSY-S.BASKET SPIN;WA1065(SPIN/GRY),STS4	1	
WAB13	SCA-10RPHW03	ASSY-CLUTCH;SCA-10RPHW03(SEM-10T)	1	
WAB15	DC96-00381B	ASSY-WIRE HARNESS;KS8(SERIES),SUB/PUMP/G	1	
WAB17	DC66-10142A	BELT-V;STATIC,M22,-,SEW-60FX,-	1	
WAB18	DC60-40133A	BOLT-PULSATOR;M8,L25,-,STS 304	1	
WAB20	DC62-50125E	CONDENSER-M.F;ABS,L128,W35,-,450VAC/11MF	1	
WAB21	DC61-10241Q	COVER-TUB;WA1065,PP(BJ-730),-,-,SPIN/GRY	1	
WAB22	DC61-60025A	CUSHION-MOTOR;-7-8KG MODEL,FRPP,-,-,T7+	2	
WAB23	DC61-70061C	DIE-MOTOR;SW10C1,SBHG1-A,-,-,-,SEM-10T(8	1	
WAB24	DC66-40006D	FLANGE-SHAFT;-ALDC8,-,-,NTR,SEM-10T(7KG	1	
WAB25	DC61-00029B	GUIDE-W.F(S);WA1065,PP(BJ-730),,-,-,SPI	1	
WAB25	DC61-00030B	GUIDE-W.F(S);WA1065,PP(BJ-730),,-,-,SPI	1	
WAB27	DC62-10292A	HOSE-DRAIN;-EPDM,-,-,-,L282,BLK,SW90V2P	1	
WAB28	DC62-10291A	HOSE-PUMP;-EPDM,-,-,-,L252,BLK,SW90V2P	1	
WAB29	DC66-30024A	LINK-DRAIN;PP,L66.5,SEW-PB10	1	
WAB30	DC31-20014A	MOTOR DRAIN;KD-SM22TA,220~240VAC,50/60HZ	1	
WAB31	DC31-10025R	MOTOR-WASHING;WAS245AUV,230V/240V,50HZ,	1	
WAB33	DC60-50004A	NUT-SPIN;1C,M24,-,ALDC,-	1	
WAB36	DC66-00032A	PULSATOR-CAP;SEW-G6/G8,ABS,PEACOCK/GRN,-,-	1	
WAB37	DC61-40054A	SADDLE;SEW-PB10,SBHG1-A,-,T1.2,-,-	1	
WAB40	DC61-30095C	TUB-OUTER;7-8KG(#2),PP(BJ-730),-,-,-,NEW	1	
WAC01	DC91-10163H	ASSY-BASE;SW90V/SW-H105P,N-GR	1	
WAC02	DC91-11771E	ASSY-DAMPER;SEW-7G/SW90V,FRONT	2	
WAC02	DC91-11771F	ASSY-DAMPER;SEW-7G/SW90V,REAR	2	
WAC04	DC62-10289B	HOSE-WATER(C);WIP4013SRW,PVC+NYLON,ID10.	1	
WAC04	DC62-10290B	HOSE-WATER(H);WIP4013SRW,PVC+NYLON,ID10.	1	
WAC07	DC91-11264A	ASSY-HOSE(O);-NEW-TYPE/PUMP-MODEL	1	
WAC08	DC91-10264J	ASSY-LEG;SEW-105A,NIGHT/GRY(RIGHT)	1	
WAC08	DC91-10264K	ASSY-LEG;SEW-105A,NIGHT/GRY(LEFT)	1	
WAC09	DC99-00203A	ASSY-PAINT;SW1065D1,PUMP(SNOW/WHT)	1	
WAC10	DC96-00014A	ASSY-POWER CORD;EUROPE,210X170X210.2/1MT/HOUSING/UCP2	1	
WAC11	DC90-11190B	ASSY-PUMP DRAIN;SW65ASP,220~240V/50Hz	1	
WAC13	DC61-30013D	BASE;-PP,-,-,-,NIGHT/GRY,EXPORT/PUMP	1	
WAC16	DC61-10571A	COVER-BACK;-SBHG1-A,T0.4,-,-,-,SEW-	1	
WAC17	DC61-20016U	HANDLE;PP,-,-,-,SNOW/WHT,WLSL1100A,-,-	2	
WAC21	DC61-50016B	LEG-RUBBER;SW-90V2,NBR,-,BLK,-,AIR-SEAL	1	
WAC21	DC61-50016B	LEG-RUBBER;SW-90V2,NBR,-,BLK,-,AIR-SEAL	1	
WAC21	DC61-50012B	LEG-RUBBER;SW-90V2,NBR,-,BLK,-,AIR-SEAL	2	

Screw/Bolt Parts List

CODE NO.	DESCRIPTION	SPECIFICATION	Q'TY	REMARK
DC91-11258E	ASSY-SCREW	M8*22FE/FZY,SHAFT+DIE-MOTO(COAT)	4	SHAFT
DC91-11258U	ASSY-SCREW	M8*30FE/FZY(FLANGE),MOTOR(COAT)	2	MOTOR
DC91-11258M	ASSY-SCREW	M5*15FE/FZY,SADDLE+SHAFT(COAT)	2	
DC60-00013A	BOLT-HEX	MSWR,HEX,M5,L20,-,ZPC2,SEW-524,SEM-10H	1	
DC60-50150A	NUT-HEX	-,M6,-,-,-	1	
DC60-50145A	NUT-HEX	-,,-,MSWR10,-	1	
DC60-00014A	NUT-HEX	-,,-,-,ZPC2,-,HEX,SEW-524,MSWR	1	
DC60-50004A	NUT-SPIN	1C,M24,-,ALDC,-	1	
DC60-10003C	SCREW MACHINE	MSWR,UP,PH,+M4,L8,BSW,-,-,-	2	E/W
DC60-10014A	SCREW MACHINE	STS304,-,M3,L8,PH,+1,-,PASS,-	2	
DC60-20054F	SCREW TAPPING	TH,+1,D4,L14,FE,FZY	2	LEG-RUBBER
DC60-20054F	SCREW TAPPING	TH,+1,D4,L14,FE,FZY	1	LEG-RUBBER
DC60-20054A	SCREW TAPPING	TH,+1,D4,L10,ZPC3,-	9	BASE
DC60-20054F	SCREW TAPPING	TH,+1,D4,L14,FE,FZY	4	PUMP
DC60-20057B	SCREW TAPPING	TH,+1,D5,L16,-,STS304	2	COVER-TOP
DC60-20060A	SCREW TAPPING	TH,+2,D4,L8,FE,FZY	2	COVER-BACK
DC60-20061D	SCREW TAPPING	TH,+2,D4,L14,FZY,FE	1	I/B
DC60-20061D	SCREW TAPPING	TH,+2,D4,L14,FZY,FE	2	CHECKER
DC60-20061D	SCREW TAPPING	TH,+2,D4,L14,FZY,FE	2	DOOR-HINGE
DC60-20061D	SCREW TAPPING	TH,+2,D4,L14,FZY,FE	5	PCB
DC60-20061D	SCREW TAPPING	TH,+2,D4,L14,FZY,FE	2	W/VALVE
DC60-20064C	SCREW TAPPING	-,,-,2S,D6.2,L20,ZPC2,FLANGE	2	SADDLE
DC60-20004E	SCREW TAPPING	HH,+B,DI5,L20,-,STS304	6	BALANCER
DC60-20004E	SCREW TAPPING	HH,+B,DI5,L20,-,STS304	6	F/SHAFT
DC60-20058B	SCREW TAPPING	-,,-,1,D5,L20,FZY,-	2	
DC60-20061D	SCREW TAPPING	TH,+2,D4,L14,FZY,FE	1	E/WIRE
DC60-20064C	SCREW TAPPING	-,,-,2S,D6.2,L20,ZPC2,FLANGE	8	
6002-001160	SCREW-TAPPING	TH,+2,M5,L16,PASS,STS430	4	COVER-TUB
DC60-60060A	WASHER	-,T2,-,ID12,OD24,-,YEL,-	1	
DC60-60038A	WASHER	-,ID12.5,OD18,-,-,-	1	
DC60-60032A	WASHER-B.C	-,ID14.5,OD21.0,T0.5,-,MSWR10	1	
DC60-60046A	WASHER-SPRING	-,,-,-,-,PVC/PEFILM	1	