
1. EXPLODED VIEWS AND PARTS LIST

[MATERIAL CODE STANDARDS]

Material codes and names and their respective naming rules are managed in accordance with the prescribed standards. Please refer to these standards when requesting a material.

1. Material Code Type

● : Number

■ : Letter (Alphabet)

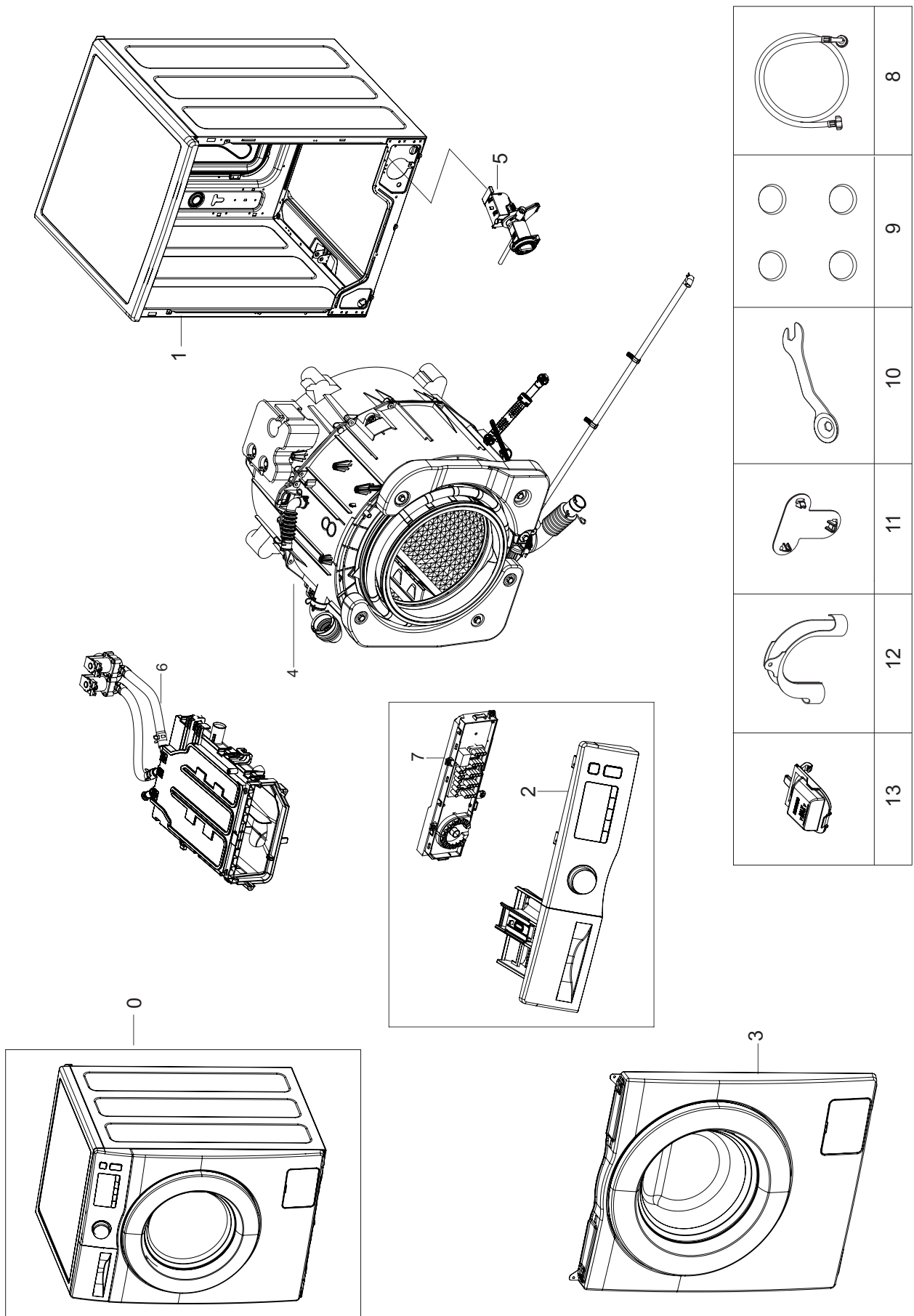
Type 1	●●●●-●●●●●● ex) 0204-000418 FREON	Enterprise-wide parts Type 1 materials can be used for all Samsung Electronics products. (Most electrical parts belong to this type.)
Type 2	■■●●-●●●●●■ ex) DC96-01390A ASSY-CONTROL	Division-wide parts (DC**-Washing machine) Type 2 materials can be used for specific products. (Most instruments and tools belong to this type.)

2. Ass'y Materials

All ass'y material codes start with DC9*.

An ass'y material is created by combining more than two materials. If a requested material cannot be provided, you can request an ass'y material that contains that material.

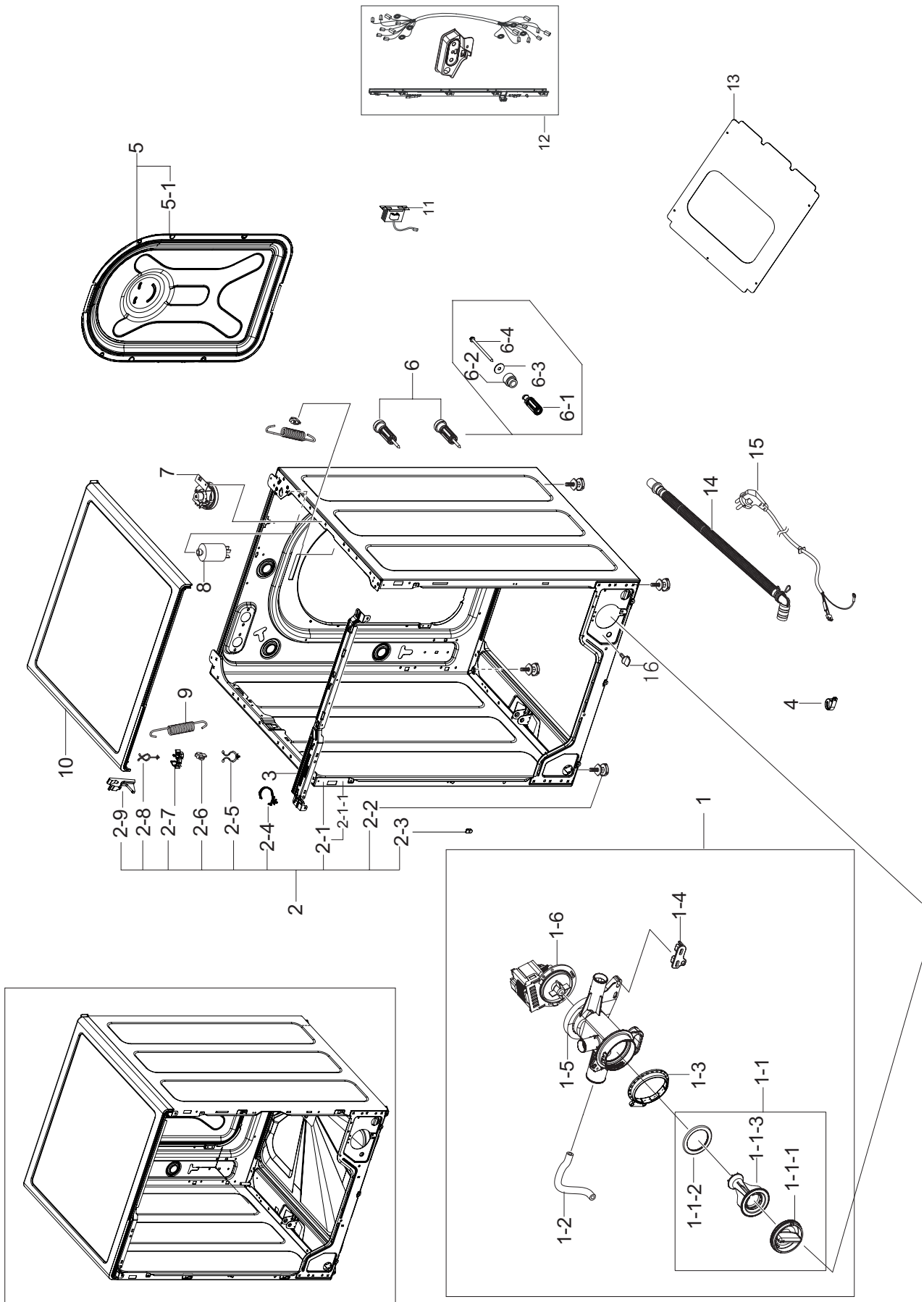
1.MAIN



MODEL CODE:WW80J3280GS/EFService Bom (**SA**: SERVICE AVAILABLE, **SNA**: SERVICE NOT AVAILABLE)

Drawing No.	Code No.	Description	Specification	QTY	Un	SA/SNA
0	-	WW80J3280GS/EF	-	1	-	-
1	-	FRAME & COVER PARTS	-	1	-	-
2	-	PANEL CONTROL & DRAWER	-	1	-	-
3	-	FRAME FRONT & DOOR	-	1	-	-
4	DC90-22921A	ASSY TUB&DRUM	WW3000J,WW80J3280GS/EF	1	PC	SNA
5	DC96-01533A	ASSY PUMP DRAIN	WF8804DP,ADV-FILTER/ISOL	1	PC	SNA
6	DC97-18573A	ASSY HOUSING DRAWER	WW3~6000,8kg/9kg	1	PC	SA
7	DC92-01783B	ASSY KIT	FWM_UNI,WW3000 UNI KIT,HEBA 58,	1	PC	SA
8	DC97-16921A	ASSY HOSE WATER	WA5700J	1	PC	SC
9	DC67-00307A	CAP-FIXER	WF438AAC/XAA,PP,T1.5,RECYCLE,B	4	PC	SA
10	DC60-00104A	FASTENER-BOLT	ALL,CR-SPCC,2.0,L113.5	1	PC	SA
11	DC67-00208B	CAP-FIXER	WF8602NHS/XFA,PP,T1.5,P535-H,B	1	PC	SA
12	DC62-10278A	HOSE HANGER	PUMP MODEL,PP,BLACK	1	PC	SA
13	DC61-03510A	GUIDE LIQUID	WF-F500E,PP,MT43,Honesty BI	1	PC	SA

2.FRAME & COVER PARTS



MODEL CODE: WW80J3280GS/EF

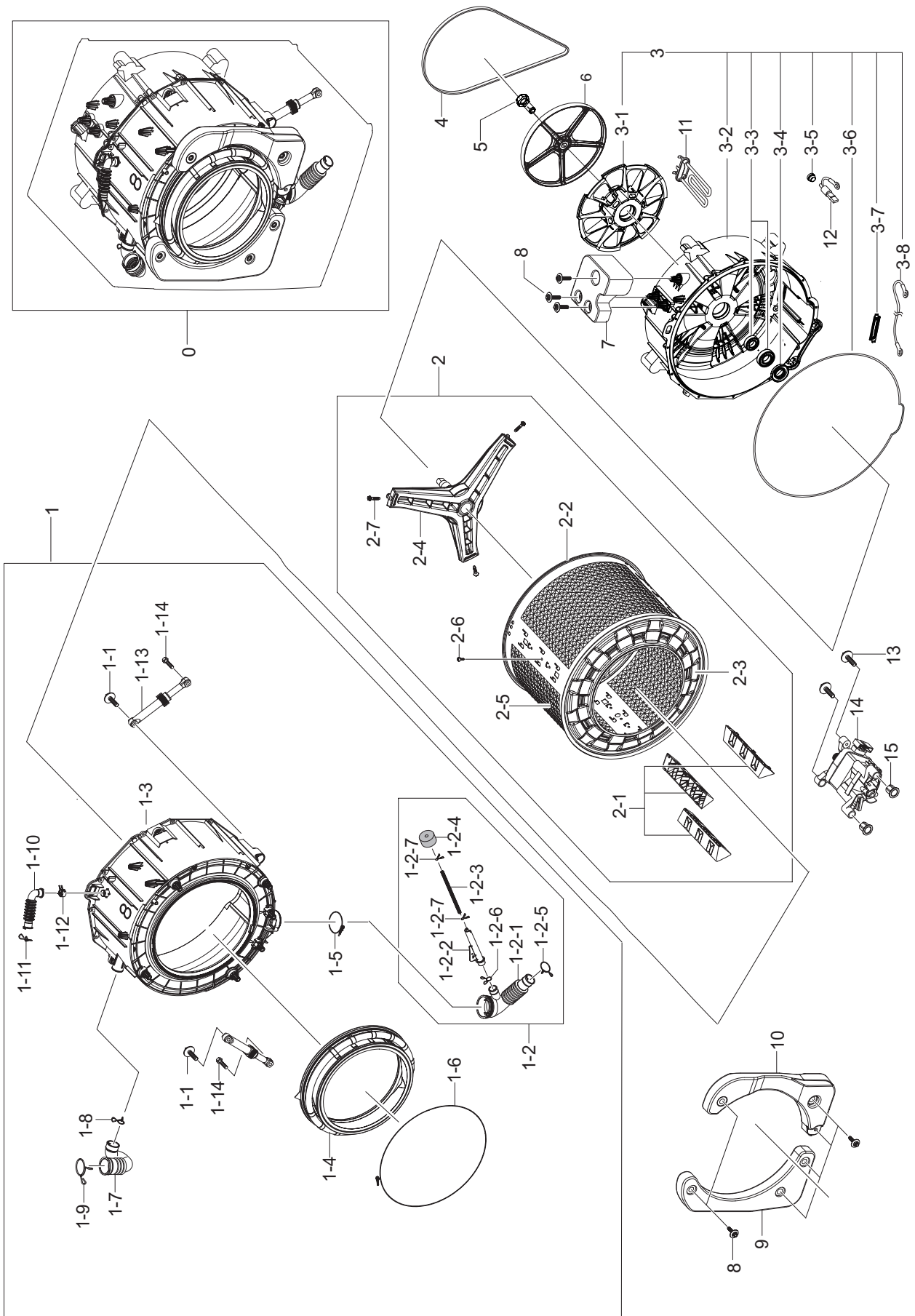
Service Bom (SA: SERVICE AVAILABLE, SNA: SERVICE NOT AVAILABLE)

Drawing No.	Code No.	Description	Specification	QTY	Un	SA/SNA
1	DC96-01533A	ASSY PUMP DRAIN	WF8804DP,ADV-FILTER/ISOL	1	PC	SNA
1-1	DC97-14278B	ASSY FILTER	HEBA,WF0804Y8E1/YLP	1	PC	SNA
1-1-1	DC64-02783A	HANDLE FILTER	WF350ANW/XAA,PP,T2.3,W63.8	1	PC	SA
1-1-2	DC73-00022A	SEAL PACKING	SEW-HVR149ATA,EPDM,BLK,-	1	PC	SA
1-1-3	DC63-00865A	FILTER PUMP	WF8804DP,PP	1	PC	SA
1-2	DC67-00244K	HOSE DRAIN	HEBA,EPDM,ID6,OD10,T2.0,L200,	1	PC	SA
1-3	DC69-01128A	PACKING-PUMP	WF8804DP,IIR,BUTYL,T2.5,HEB	1	PC	SA
1-4	DC63-00905A	CUSHION PUMP	WF8802DPF/XET,NBR,-,W37.6,L	1	PC	SNA
1-5	DC61-01951A	CASE PUMP	WF8804DP,PP,T2.5,W128,L108,-,-	1	PC	SNA
1-6	DC31-00181A	MOTOR AC PUMP	B15-6A/S3019/S3032/PX2025-	1	PC	SA
2	DC97-18723Y	ASSY PAINT FRAME	WW3000~6000,WW80J3280GS	1	PC	SA
2-1	DC97-18907B	ASSY FRAME	WW3000~6000,WW80J3280GS/MF,DA	1	PC	SNA
2-1-1	DC61-03468T	FRAME	WW90J5260GS/AH,GI-SGCC,DA SILVER P	1	PC	SNA
2-2	DC97-00920H	ASSY LEG	-,ALL EXCEPT AUSTRALI MODEL,L33	4	PC	SA
2-3	DC61-01901A	GUIDE FRAME FRONT	ALL MODEL,POM,T5.5,K30	2	PC	SNA
2-4	DC61-02879A	HOLDER WIRE	WF8804CPA,PA,-,NATURAL,-,211	1	PC	SNA
2-5	DC61-40081A	HOLDER WIRE	DAWH-2NC,PA66,-,NATURAL,-	7	PC	SA
2-6	DC61-02065A	GUIDE SPRING	WF448AAG/XXA,POM,T4,W24,L36	2	PC	SNA
2-7	DC61-00133A	CLAMPER HOSE-FIX	P1291,PP,-,HOSE+PLUG,BJ	1	PC	SNA
2-8	DC61-40083A	HOLDER WIRE	DAWH-3ND,PA66,NTR(PI24.4)/NY	2	PC	SNA
2-9	DC61-02601A	GUIDE HOSE	SEINE COMBO 9.0kg,PS FOAM,WHI	1	PC	SA
3	DC97-18808A	ASSY FRAME PLATE-UP	WW6000J,WW90J5260GS	1	PC	SNA
4	DC61-00118A	CLAMP-CABLE	P1291,PA66,NATURAL,NC0001	1	PC	SA
5	DC97-17948B	ASSY COVER BACK	AEGIS	1	PC	SA
5-1	DC63-00862C	COVER BACK	WF8600NMW,GI-SGCC,T0.35,W352,	1	PC	SA
6	DC97-14794C	ASSY FIXER TUB	SCOUT,WF0704L7W/XEF	4	PC	SA
6-1	DC61-02028B	FIXER TUB	HEBA-PJT,FRPP,ID8.0/OD25.0,NTR	4	PC	SNA
6-2	DC73-00035A	FIXER RUBBER	WF0804Y8E/XEF,EPDM,BLACK,-,	4	PC	SNA
6-3	DC60-60044B	WASHER PLAIN	PO-SPHC,T2.0	4	PC	SA
6-4	6011-001669	BOLT-HEX	M7,L160,ZPC2,SCM435,TAPPING	4	PC	SNA
7	DC96-01703G	SENSOR PRESSURE	Air,5,-,400mmH20,-	1	PC	SA
8	DC29-00005A	FILTER EMI	VDE,1.2mH MIN/1/-,38*81*PI38,	1	PC	SA
9	DC61-02029B	SPRING ETC-HANGER	HEBA 7kg,HSWR,CD3.5,OD	2	PC	SA
10	DC97-18770B	ASSY COVER TOP	WW3000~6000,HEBA PLATFORM	1	PC	SA
11	DC27-00008A	COIL HARMONIC	730uH,33*40*18	1	PC	SNA
12	DC93-00560B	ASSY WIRE HARNESS-MAIN	DRUM-M,WW80J3280G	1	PC	SA

MODEL CODE: WW80J3280GS/EFService Bom (**SA**: SERVICE AVAILABLE, **SNA**: SERVICE NOT AVAILABLE)

Drawing No.	Code No.	Description	Specification	QTY	Un	SA/SNA
13	DC64-01757A	SHUTTER	HEBA-PJT,PP,T3.0,-,-,WHT,7kg/DAN	1	PC	SA
14	DC97-02250Z	ASSY HOSE DRAIN(O)	HEBA-PJT,GRY	1	PC	SA
15	DC96-00146H	CBF-POWER CORD	AT,EUROPE,EU3F,Gray,1500,	1	PC	SA
16	DC61-10673C	CAP DRAIN	WF1802XEY/XSC,FRPP,BLACK	1	PC	SA
17	DC97-14006C	ASSY SCREW	GRIFFIN-PJT,WF9904RWE,SWRCH18	2	PC	SNA

3.ASS'Y TUB DRUM



MODEL CODE:WW80J3280GS/EF

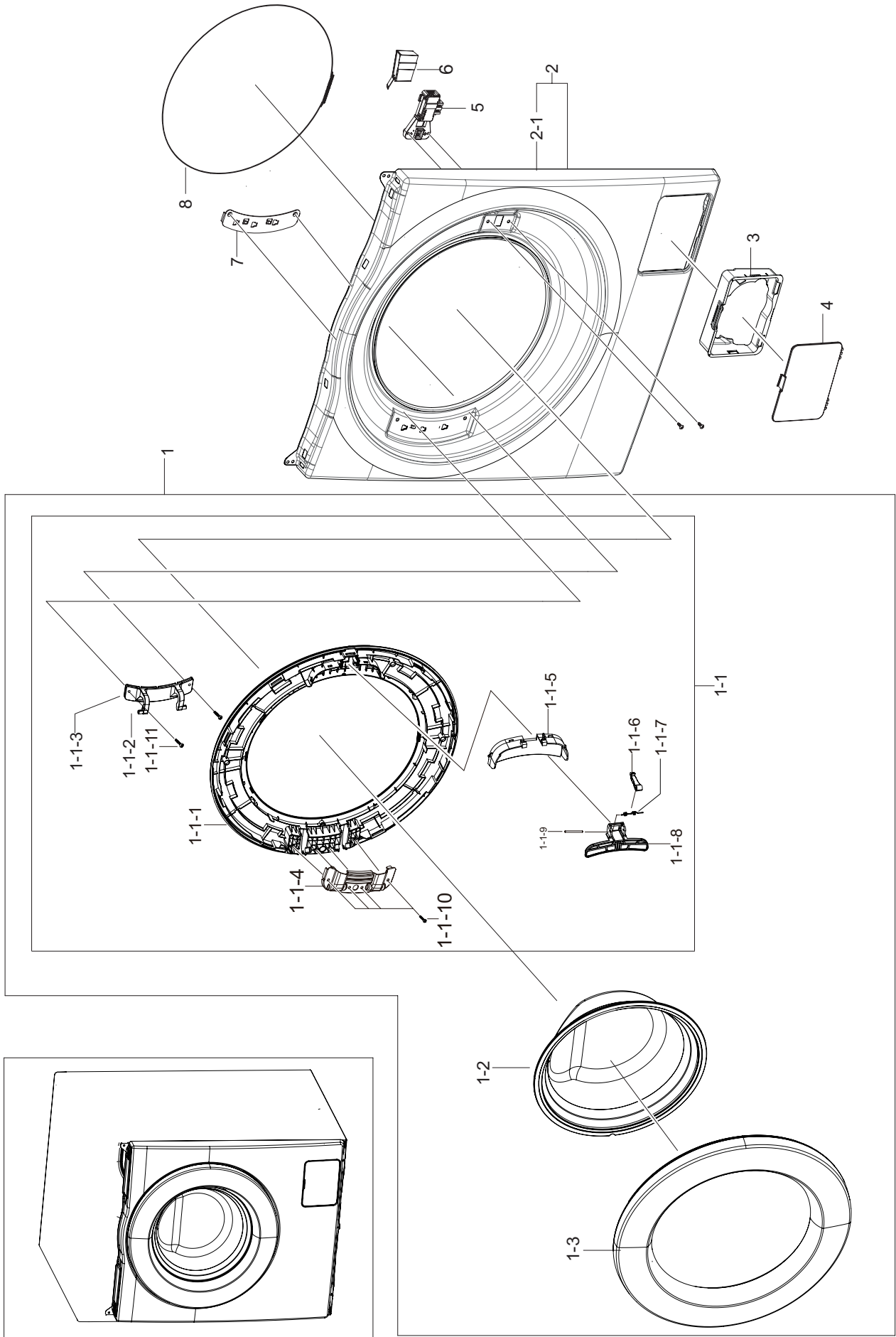
Service Bom (SA: SERVICE AVAILABLE, SNA: SERVICE NOT AVAILABLE)

Drawing No.	Code No.	Description	Specification	QTY	Un	SA/SNA
0	DC90-22921A	ASSY TUB&DRUM	WW3000J,WW80J3280GS/EF	1	PC	SNA
1	DC97-18555D	ASSY SEMI TUB FRONT	WW3000~5000J	1	PC	SA
1-1	DC97-14263A	ASSY BOLT	MOTOR/BOLT(M8)+WASHER(OD27.5),	4	PC	SA
1-2	DC97-14637H	ASSY HOSE PRESSURE	No PBA,SCOUT COMBO,WD	1	PC	SA
1-2-1	DC67-00293A	HOSE FILTER TUB	HEBA-PJT,EPDM,-,-,T2.5,-	1	PC	SA
1-2-2	DC67-00297A	HOSE JOINT AIR	HEBA&Aegis-PJT,PP,L167.3,	1	PC	SNA
1-2-3	DC67-00230B	HOSE WATER	WF8800,TPE,ID4.5,T1.75,L679,B	1	PC	SC
1-2-4	DC63-10003H	ABSORBER SPONGE	PU FOAM,H35,BLACK	1	PC	SNA
1-2-5	DC72-00001H	CLIP RING	HEBA-PJT,HSWR,WHITE	1	PC	SNA
1-2-6	DC61-00219B	CLAMPER HOSE	SK5,WLSL1100A,ID24 OD26.4	1	PC	SNA
1-2-7	DC61-70029C	CLIP RING	SEW-HW125,HSWR,WHITE	2	PC	SNA
1-3	DC61-01933A	TUB FRONT	HEBA PJT,FRPP,NATURAL,7KG	1	PC	SNA
1-4	DC64-03198A	DOOR DIAPHRAGM	WW6,5,4,3000J,EPDM,-,-,-,	1	PC	SA
1-5	DC65-00021A	CLAMPER HOSE-JOINT	HEBA PJT,HSWR-SWRH,ID	1	PC	SNA
1-6	DC91-12077G	ASSY CLAMP DIAPHRAGM	AEGIS,WF8500NHW/YLP	1	PC	SA
1-7	DC67-00474A	HOSE-DRAWER TUB	WW3000,EPDM,T2.0,BLACK	1	PC	SA
1-8	DC65-60118R	CLIP RING	AEGIS-PJT,HSWR-SWRH,T3.0,ID37	1	PC	SA
1-9	DC72-00001G	CLIP RING	HEBA-PJT,HSWR,T3.0,ID49.5,W18,	1	PC	SNA
1-10	DC67-00647A	HOSE AIR	WF906U4SAWD,EPDM,ID19.6,T1.7,50	1	PC	SA
1-11	DC65-60118J	CLIP RING	HSWR,PI2.0/ID23	1	PC	SNA
1-12	DC61-00158A	CLAMPER HOSE	SW65ASP,SK5,ID23,T0.8,-	1	PC	SA
1-13	DC66-00421B	DAMPER SHOCK	HEBA-SSEC PJT,PP,80N	2	PC	SNA
1-14	DC60-40144A	BOLT HEX	SM10C,L35,ZPC2(YEL),M10,ZPC2(YE	2	PC	SA
2	DC97-17677C	ASSY DRUM	WF802B2SAWQ3EC	1	PC	SA
2-1	DC66-00493A	DRUM LIFTER	HEBA PJT,PP,TI42,GRAY,7/8KG	3	PC	SA
2-2	DC66-00492A	DRUM BACK	HEBA PJT,STAINLESS-ST5430,ID48	1	PC	SNA
2-3	DC66-00489B	DRUM FRONT	HEBA PJT(8kg),STS430,OD510,T0	1	PC	SNA
2-4	DC97-16677B	ASSY FLANGE SHAFT	WF8802DPA1	1	PC	SA
2-5	DC66-00769A	DRUM WRAPPER	SCOUT,STS430,OD 488,T0.5,T0	1	PC	SNA
2-6	6002-000445	SCREW-TAPPING	TH,+,NO,2S,M4,L18,PASS,STS	4	PC	SNA

MODEL CODE:WW80J3280GS/EFService Bom (**SA**: SERVICE AVAILABLE, **SNA**: SERVICE NOT AVAILABLE)

Drawing No.	Code No.	Description	Specification	QTY	Un	SA/SNA
2-7	DC60-40137A	BOLT HEX	MARS-PJT,STS430,M8,P1.25,L30,HE	3	PC	SA
3	DC97-16462B	ASSY SEMI TUB BACK	Heba PJT,WF8802SPG1/X	1	PC	SA
3-1	DC97-15481A	ASSY HOUSING BEARING	HEBA,6205/6206	1	PC	SNA
3-2	DC61-01934D	TUB BACK	WF8802LSW,FRPP,528,575,HEBA 120	1	PC	SNA
3-3	6601-000148	BEARING BALL	6206ZZ,ID30,OD62,L16,STB2	1	PC	SNA
3-3	6601-000176	BEARING BALL	6205ZZ,ID25,OD52,L15,STB2	1	PC	SNA
3-4	DC62-00008A	SEAL OIL	NBR,BLACK,-,NBU	1	PC	SA
3-5	DC69-00824A	PACKING-THERMISTOR	GW-PJT,EPDM,-,-,W17,H	1	PC	SNA
3-6	DC69-01154A	PACKING-TUB	WF8804DP,EPDM,-,-,L1650	1	PC	SA
3-7	DC61-02664A	BRACKET HEATER	HEBA,STS430,T0.6	1	PC	SA
3-8	DC93-00015A	ASSY WIRE EARTH	AEGIS,5KG,230V/50HZ,EART	1	PC	SA
4	6602-001497	BELT-TIMING GEAR	RUBBER(GATES),T3.2,1270	1	PC	SA
5	6009-001367	BOLT-HEX	M6.5,L32,ZPC(WHT),SWRCH18A,HWH	1	PC	SA
6	DC66-00500A	PULLEY MOTOR	HEBA PJT,ALDC,OD296.8,1400R	1	PC	SA
7	DC67-00582B	WEIGHT BALANCER-UP	HEBA-PJT,CONCRETE,T89	1	PC	SA
8	6011-003934	BOLT-HEX	M7.6,L48,ZPC(WHT),SCM 435,WASHE	9	PC	SNA
9	DC97-16008A	ASSY WEIGHT BALANCER-LEFT	SCOUT-PJT,WF08	1	PC	SA
10	DC97-18524A	ASSY WEIGHT BALANCER-RIGHT	HEBA,6.5KG,PE	1	PC	SA
11	DC47-00033B	HEATER WASH	AC230V,2000W,SUS316L,728mm,N	1	PC	SA
12	DC32-00010C	THERMISTOR	WASHER,-10~100,5,5,3.243k ± 2	1	PC	SA
13	DC97-14263A	ASSY BOLT	MOTOR/BOLT(M8)+WASHER(OD27.5),	4	PC	SA
14	DC31-00123F	MOTOR UNIVERSIAL DRIVE	Welling(UML 5204.	1	PC	SA
15	DC61-02549A	BUSH MOTOR	HEBA BIGBANG,PA66+GF15%,NATUR	1	PC	SNA

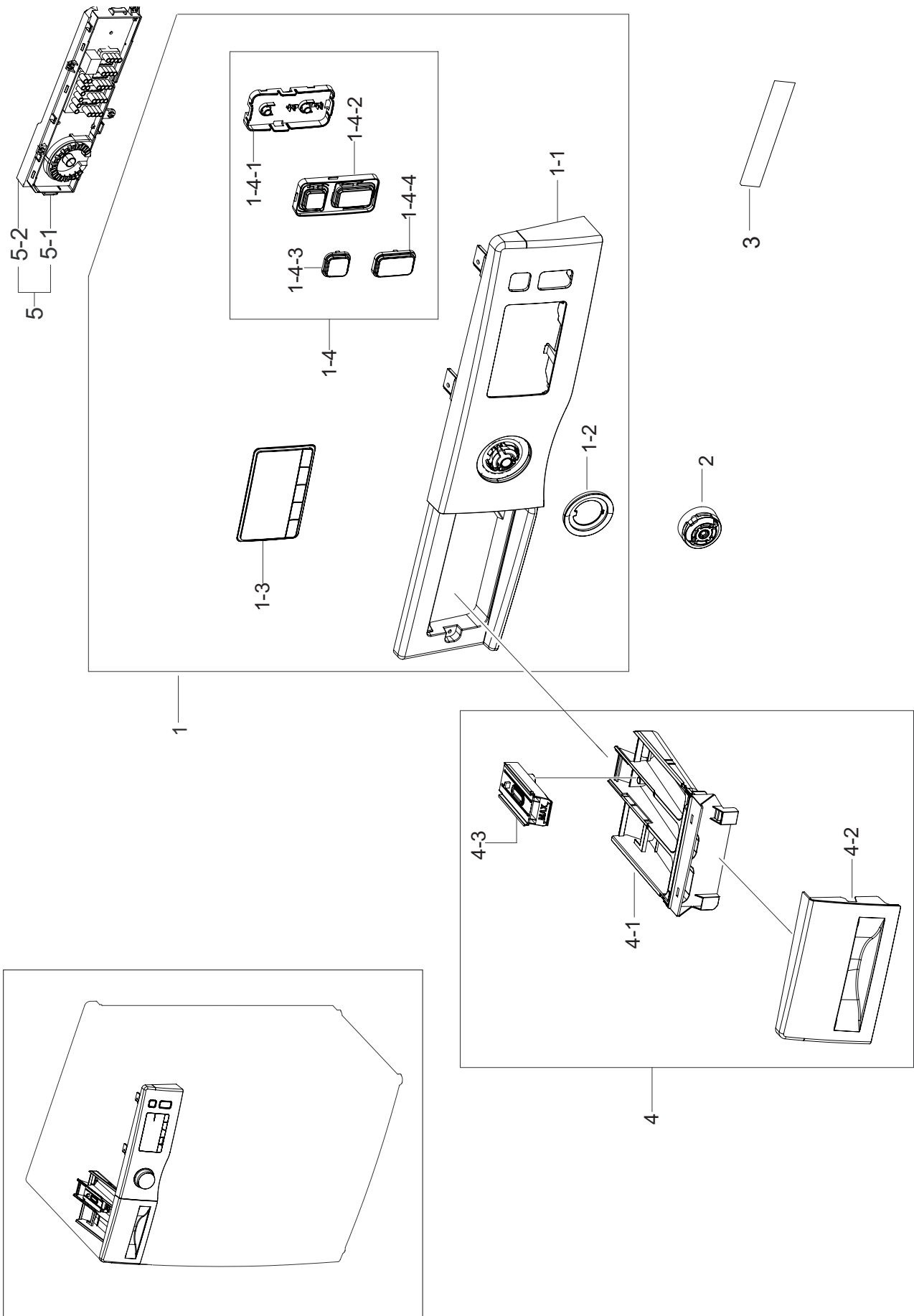
4.ASS'Y FRAME FRONT



MODEL CODE: WW80J3280GS/EFService Bom (**SA**: SERVICE AVAILABLE, **SNA**: SERVICE NOT AVAILABLE)

Drawing No.	Code No.	Description	Specification	QTY	Un	SA/SNA
1	DC97-18710A	ASSY DOOR	WW5000J STD	1	PC	SNA
1-1	DC97-18659A	ASSY HOLDER GLASS	WW5000J STD	1	PC	SA
1-1-1	DC61-03966C	HOLDER GLASS	PP,VERSAILLES GRAY,FC2305,C	1	PC	SNA
1-1-2	DC61-00891A	GUIDE HINGE	HAUZEN(DOM),POM,NTR(WHT),HIN	4	PC	SA
1-1-3	DC61-03972B	HINGE DOOR	WW6000J,ALDC,T3.0	1	PC	SA
1-1-4	DC61-01915F	BRACKET HOLDER	GI-SGCC,T1.0	1	PC	SNA
1-1-5	DC63-01541D	COVER HANDLE	ABS,-,-,EBONY BLACK,HG-0760	1	PC	SA
1-1-6	DC66-00497A	LEVER DOOR	WF8804DP,ZNDC,T10,W10,L46,NI	1	PC	SC
1-1-7	DC61-02027A	SPRING ETC LEVER	STS304,CD1.2,L10.6	1	PC	SA
1-1-8	DC64-02852D	HANDLE DOOR	ABS,T2.0,HG-0760GP,-,EBONY B	1	PC	SA
1-1-9	DC64-00564A	HANDLE PIN	WF602U2BKWQ/SC,STS304,NATURE	1	PC	SA
1-1-10	6002-000445	SCREW-TAPPING	TH,+ ,NO,2S,M4,L18,PASS,STS	4	PC	SNA
1-1-11	6009-001522	SCREW-HEX	HWH,+ ,M5,L16,PASS,STS430,FP,SE	2	PC	SA
1-2	DC64-01790A	DOOR GLASS	AEGIS,GLASS,T5.0,W353.0	1	PC	SA
1-3	DC63-01834B	COVER DOOR	crystal gloss,ABS+PMMA,-,-,EB	1	PC	SA
2	DC97-19566H	ASSY FRAME FRONT	WW5000J,T0.8,DA SILVER	1	PC	SA
2-1	DC61-04226H	FRAME FRONT	WW5000J,EGI-SECD,DA SILVER P	1	PC	SNA
3	DC61-04227A	GUIDE FILTER	PP,T2.0,TB53,BLACK	1	PC	SA
4	DC63-01974B	COVER FILTER	WW3456,ABS,T2.5,DA SILVER,D	1	PC	SA
5	DC64-01538A	SWITCH DOOR LOCK	AC250V,16,BIMETAL	1	PC	SA
6	DC63-00967A	COVER DOOR SWITCH	AEGIS-PJT/ WF8500NHW,P	1	PC	SA
7	DC61-01919A	BRACKET HINGE	WF8804DP,GI-SGCC,T1.4,L161	1	PC	SA
8	DC91-12078E	ASSY WIRE DIAPHRAGM	AEGIS,WF8500NHW/YLP,	1	PC	SA

5.PANEL-CONTROL & DRAWER

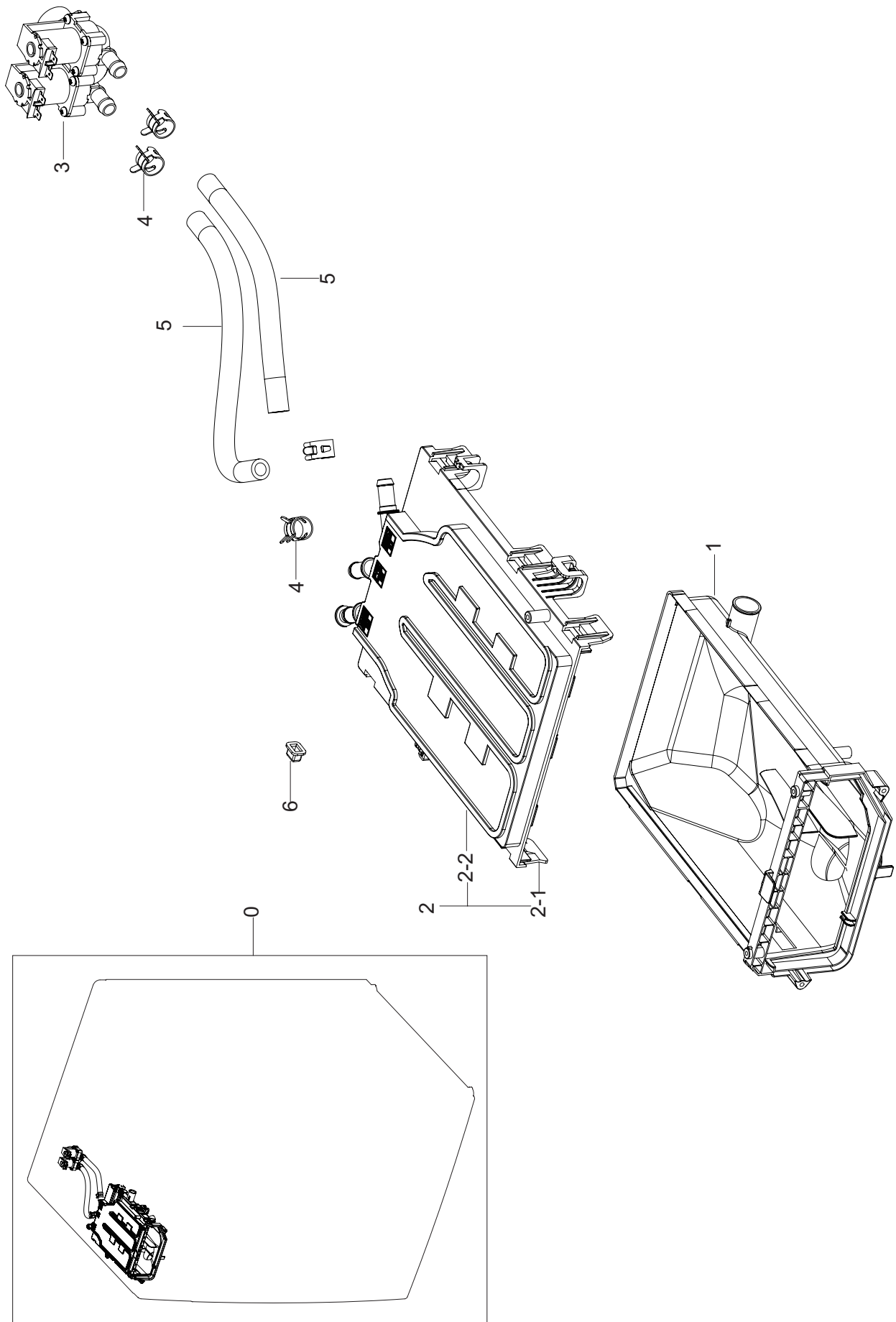


MODEL CODE: WW80J3280GS/EF

Service Bom (SA: SERVICE AVAILABLE, SNA: SERVICE NOT AVAILABLE)

SVC Code	Code No.	Description	Specification	QTY	Un	SA/SNA
1	DC97-19789Y	ASSY PANEL CONTROL	WW3000J,WW80J3280GS/E	1	PC	SA
1-1	DC64-02853D	PANEL CONTROL	WW3000~6000,ABS,HB,HG-0760	1	PC	SNA
1-2	DC64-02856B	WINDOW ENCODER	ABS+PMMA,HB,TF-0930,GRAY	1	PC	SNA
1-3	DC64-03291C	WINDOW PANEL	WW3000J,PMMA,FT6120,CLEAR T	1	PC	SNA
1-4	DC97-19113A	ASSY BUTTON	WD6000J,DA SILVER	1	PC	SNA
1-4-1	DC63-01543A	COVER-BUTTON(L)	F500E,ABS,T2.0,-,DA WHIT	1	PC	SNA
1-4-2	DC64-03313B	BUTTON PUSH-POWER	WD6000J,ABS,DA SILVER,	1	PC	SNA
1-4-3	DC64-03321A	DECORATION	WW6000J,PMMA,T1.5,CLEAR TP,TP	1	PC	SNA
1-4-4	DC64-03320A	DECORATION	WW6000J,PMMA,T1.5,CLEAR TP,TP	1	PC	SNA
2	DC64-03312B	KNOB ENCODER	F500E,ABS+PMMA,BK0018, TP00	1	PC	SA
3	DC92-01785A	ASSY MODULE	TOUCH SENSOR,WW4/3000J,5KEY	1	PC	SA
4	DC97-17310J	ASSY DRAWER	WW3000~5000 UNI,DA SILVER SP	1	PC	SNA
4-1	DC61-03480A	BODY DRAWER	WF-F500E,PP,DA WHITE,WT0035,	1	PC	SA
4-2	DC64-02858N	PANEL DRAWER	ABS,HB,HG0760GP,DA SILVER G	1	PC	SA
4-3	DC67-00669A	CAP RINSE	WF-F500E,PP,-,-,MT43,Honesty B	1	PC	SA
5	DC92-01783B	ASSY KIT	FWM_UNI,WW3000 UNI KIT,HEBA 58,	1	PC	SA
5-1	DC92-01784M	ASSY PCB DISPLAY	FWM_UNI,WW3000 UNI SUB,	1	PC	SA
5-2	DC92-01769C	ASSY PCB MAIN	FWM_UNI,6/5/4/3000 UNIVERS	1	PC	SNA

6.ASS'Y HOUSING DRAWER



MODEL CODE:WW80J3280GS/EFService Bom (**SA**: SERVICE AVAILABLE, **SNA**: SERVICE NOT AVAILABLE)

Drawing No.	Code No.	Description	Specification	QTY	Un	SA/SNA
0	DC97-18573A	ASSY HOUSING DRAWER	WW3~6000,8kg/9kg	1	PC	SA
1	DC61-02663A	HOUSING DRAWER-LOW	WW5000,PP,T1.8,NATURA	1	PC	SA
2	DC97-17347A	ASSY S.HOUSING DRAWER	F500E,WF80F5E5U4W	1	PC	SA
2-1	DC61-03474A	HOUSING DRAWER-MIDDLE	WF-F500E,PP,-,NATU	1	PC	SNA
2-2	DC61-03475A	HOUSING DRAWER-UP	WF-F500E,PP,-,NATURAL,	1	PC	SNA
3	DC62-00024M	VALVE WATER	AC220-240V,Bracket,1in 2out,	1	PC	SC
4	DC65-00008B	CLAMPER HOSE	SSEC-GE,SK5,-,Dacromet,T1.0	4	PC	SA
5	DC67-00051F	HOSE DRAWER	WF8502NHW,EPDM,ID9.0,OD14.5,	0.56	M	SA
6	DC67-00327A	CAP DRAWER HOOK	HEBA-PJT,EPDM,T1.1,W13.9	1	PC	SNA

8.PARTS LIST (SCREW TYPE)

MODEL CODE: WW80J3280GS/EF

Service Bom (SA: SERVICE AVAILABLE, SNA: SERVICE NOT AVAILABLE)

NO.	Code No.	Description	Specification	QTY	Un	SA/ SNA
1	6002-000213	SCREW-TAPPING	TH,+,1,M4,L12,ZPC(WHT),SWR	2	PC	SNA
2	6002-001554	SCREW-TAPPING	BH,+,No,1,M4,L12,STS430,HE	2	PC	SNA
3	6009-001522	SCREW-HEX	HWH,+,M5,L16,PASS,STS430,FP,SE	2	PC	SA
4	6002-001554	SCREW-TAPPING	BH,+,No,1,M4,L12,STS430,HE	2	PC	SNA
5	6002-000445	SCREW-TAPPING	TH,+,NO,2S,M4,L18,PASS,STS	4	PC	SNA
6	6002-000213	SCREW-TAPPING	TH,+,1,M4,L12,ZPC(WHT),SWR	2	PC	SNA
7	6003-001768	SCREW-TAPTYPE	TH,+,WT,S,M4,L10,ZPC(WHT),	2	PC	SNA
8	6006-001174	SCREW-TAPPING	TH,+,WT,2S,M4,L12,ZPC(WHT)	5	PC	SNA
9	6002-001327	SCREW-TAPPING	PWH,+,1,M4,L12,ZPC(WHT),SW	4	PC	SNA
10	6006-001174	SCREW-TAPPING	TH,+,WT,2S,M4,L12,ZPC(WHT)	5	PC	SNA
11	DE60-10080A	SCREW-TAPPING	PWH,+,-,2S,M5,L9,-,SWRCH18	2	PC	SNA
12	6002-000213	SCREW-TAPPING	TH,+,1,M4,L12,ZPC(WHT),SWR	2	PC	SNA
13	6002-000445	SCREW-TAPPING	TH,+,NO,2S,M4,L18,PASS,STS	4	PC	SNA
14	6002-001438	SCREW-TAPPING	HWH,+,NO,1,M5,L12,ZPC(WHT)	2	PC	SNA
15	6003-000226	SCREW-TAPTYPE	TH,+,-,S,M4,L8,ZPC(WHT),SW	2	PC	SNA
16	6006-001174	SCREW-TAPPING	TH,+,WT,2S,M4,L12,ZPC(WHT)	5	PC	SNA
17	6009-001343	SCREW-SPECIAL	PH,TORX,M4,L12,ZPC(WHT),SW	1	PC	SNA
18	6002-000630	SCREW-TAPPING	PH,+,NO,2S,M3,L8,ZPC(WHT),	2	PC	SNA
19	6002-000630	SCREW-TAPPING	PH,+,NO,2S,M3,L8,ZPC(WHT),	2	PC	SNA
20	6002-000239	SCREW-TAPPING	TH,+,NO,2S,M4,L8,ZPC(WHT),	2	PC	SNA
21	6002-001436	SCREW-TAPPING	PH,+,2,M4,L18,ZPC(WHT),SWR	3	PC	SNA
22	DC97-14006C	ASSY SCREW	GRIFFIN-PJT,Wf9904RWE,SWRCH18	2	PC	SNA
23	DC97-15858A	ASSY SCREW	trumph-PJT,Wf-F1061/YLP,SWRCH	2	PC	SNA
24	6002-000445	SCREW-TAPPING	TH,+,NO,2S,M4,L18,PASS,STS	4	PC	SNA
25	6002-001554	SCREW-TAPPING	BH,+,No,1,M4,L12,STS430,HE	2	PC	SNA
26	6003-001768	SCREW-TAPTYPE	TH,+,WT,S,M4,L10,ZPC(WHT),	2	PC	SNA
27	6002-001006	SCREW-TAPPING	TH,+,-,2S,M4,L12,PASS,STS4	3	PC	SNA
28	6002-000445	SCREW-TAPPING	TH,+,NO,2S,M4,L18,PASS,STS	4	PC	SNA
29	6002-000213	SCREW-TAPPING	TH,+,1,M4,L12,ZPC(WHT),SWR	2	PC	SNA