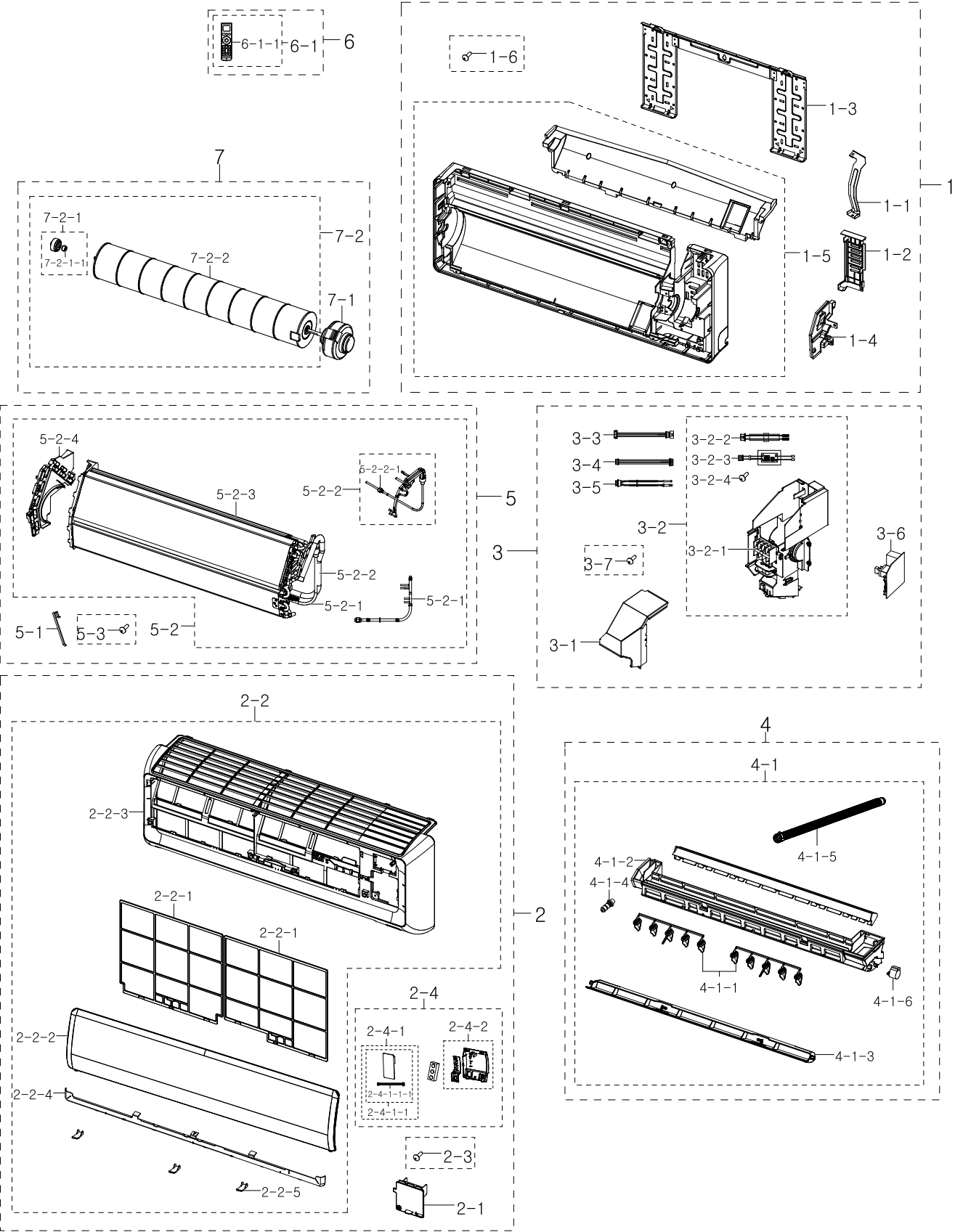


1. AQV24PSBN

Exploded View



Parts List

No.	Lvl.	Loc.	Material Code	Description & Specification	SNA	Qty.
1	1	A0152	DB90-06163A	ASSY CABI IN PARTS; INV,SSEC	SNA	1
1-1	2	B0404	DB61-01977A	BRACKET-EVAP; AQT24W6WE,SGCC-M,0.8,-,-,-,	SA	1
1-2	2	H0286	DB61-01981C	HOLDER-PIPE; FORTE,HIPS,2.5,88.5,210.3,DA	SA	1
1-3	2	A1839	DB90-02738A	ASSY-PLATE HANGER; WW2,SSEC	SA	1
1-4	2		DB90-04857A	ASSY-SUPPORT EVAP; VIVALDI,SSEC,ASSY	SA	1
1-5	2	RO741	DB94-00615F	ASSY BACK BODY; E,Y,GRAY,R22,LF & RH,BORACA	SA	1
1-6	2	A1987	DB97-02418A	ASSY-SCREW TAPPING; SS-P/J,TH,M4*L14	SNA	7
2	1	A1698	DB92-02297A	ASSY PANEL FRONT PARTS; INV,INV,SSEC	SNA	1
2-1	2	E5042	DB97-11889A	ASSY COVER TERMINAL; VIVALDI 1,-,-,-,SSEC	SA	1
2-2	2	A1698	DB92-02279K	ASSY PANEL FRONT; WHITE,Maldives3,ASSY	SA	1
2-2-1	3	F0136	DB63-02758E	FILTER-PRE; MALDIVES 3,PP,2.0,310,423.1,F	SA	2
2-2-2	3	G0034	DB64-02566C	GRILLE-AIR INLET; Maldives3,HIPS,DA WHITE	SA	1
2-2-3	3	P0021	DB64-02568A	PANEL FRONT; MALDIVES-3,HIPS,DA WHITE	SA	1
2-2-4	3		DB64-02567F	DECORATION-PANEL; MALDIVES3,HIPS,GY0096,P	SNA	1
2-2-5	3	C0135	DB67-00499D	CAP-SCREW; AR18KC5JDMC/NA,HIPS,T2.0,S834S	SA	3
2-3	2	A1987	DB97-02418A	ASSY-SCREW TAPPING; SS-P/J,TH,M4*L14	SNA	4
2-4	2	A0755	DB90-06778C	ASSY COVER DISPLAY; AR18FSFPDGMNEU,ASSY	SA	1
2-4-1	3	A0694	DB93-10861A	ASSY PCB SUB-DISPLAY; DISPLAY,MALDIVES-P/	SA	1
2-4-1-1	4		DB93-12125A	ASSY PCB MANUAL; MALDIVE-PJT,SSEC	SNA	1
2-4-1-1	5	C1070	DB93-10943B	ASSY CONNECTOR WIRE; 9,1007,26,RED,SMH200	SA	1
2-4-2	3	A0755	DB90-06135D	ASSY COVER DISPLAY; AR18FSFPDGMNEU,ASSY	SA	1
3	1	A0696	DB93-11323A	ASSY CONTROL IN PARTS; INV,INV,SSEC	SNA	1
3-1	2		DB90-06284A	ASSY COVER CONTROL IN; BORACAY3,SSEC	SA	1
3-2	2	A0696	DB93-10958C	ASSY CONTROL IN; HP,INV,9K/12K/18K/24K,JU	SNA	1
3-2-1	4	A2816	DB65-00176C	TERMINAL BLOCK; MINI-DVM,PBT,MAX 4MM^2,36	SA	1
3-2-2	4	C1070	DB93-10942A	ASSY CONNECTOR WIRE; 2,1015,18,BRN,YH396-	SA	1
3-2-3	4	A1592	DB95-04339C	ASSY-NOISE ABSORBER; MALDIVE,24K	SNA	1
3-2-4	2	A1987	DB97-02418A	ASSY-SCREW TAPPING; SS-P/J,TH,M4*L14	SNA	2

No.	Lvl.	Loc.	Material Code	Description & Specification	SNA	Qty.
3-3	3	C1070	DB93-10918H	ASSY CONNECTOR WIRE; 9,1007,26,WHT,SMH200	SA	1
3-4	3	C1070	DB93-10943H	ASSY CONNECTOR WIRE; 10,1007,26,RED,SMH20	SA	1
3-5	3	A2744	DB95-04570B	ASSY THERMISTOR IN; BORACAY	SA	1
3-6	3	A1756	DB93-10956C	ASSY PCB MAIN-IN; MAIN,MALDIVES-P/J,120*1	SA	1
3-7	2	A1987	DB97-02418A	ASSY-SCREW TAPPING; SS-P/J,TH,M4*L14	SNA	1
4	1	A0915	DB94-03031A	ASSY DRAIN PARTS; INV,SSEC	SNA	1
4-1	2	A2303	DB94-02961A	ASSY TRAY DRAIN; MALDIVES 3,SSEC	SA	1
4-1-1	3	B0179	DB61-03660A	BLADE-V; Vivaldi3,PP,T2.0,BLACK,SSEC	SA	2
4-1-2	3	E5147	DB63-01071A	TRAY-DRAIN; AQT24W6WE,HIPS,T2.5,NATURAL	SA	1
4-1-3	3	B0147	DB66-01560A	BLADE-H; MALDIVES-3,ABS	SA	1
4-1-4	3	R0097	DB73-00180B	RUBBER-CAP DRAIN; all moel,NR,D22,40,40,R	SA	1
4-1-5	3	A0912	DB94-00458D	ASSY HOSE DRAIN; VIVALDI-PJT,SSEC	SA	1
4-1-6	3	M0045	DB31-00370B	MOTOR STEP; 35BYJ46-675,DC12V	SA	1
5	1	A1008	DB96-15079A	ASSY EVAP PARTS; INV,SSEC	SNA	1
5-1	2	S0224	DB67-60030A	SPRING-SENSOR; WW2-PJT,STS301,0.4,T0.4,W2	SA	1
5-2	2	A1008	DB96-11950F	ASSY EVAP TOTAL; Maldives3,SSEC	SA	1
5-2-1	3	A2355	DB96-06500B	ASSY TUBE EVAP IN; FORTE2-INV,SSEC	SA	1
5-2-2	3	A2356	DB96-11682H	ASSY TUBE EVAP OUT; RAC,SSEC	SA	1
5-2-2-1	4	N0027	DB60-30010A	FASTENER-NUT FLARE; BRASS	SA	1
5-2-3	3	A1008	DB96-06525L	ASSY EVAP SUB; Boracay-2,SSEC	SA	1
5-2-4	3	E5132	DB63-01065A	COVER-BEARING; AQT24W6WE,ABS,2.5,-,-,-,-,-,-,-,-,-,-	SC	1
5-3	2	A1987	DB97-02418A	ASSY-SCREW TAPPING; SS-P/J,TH,M4*L14	SNA	4
6	1	A1873	DB97-17178A	ASSY PRINT IN PARTS; HP,INV,INV,SSEC	SNA	1
6-1	2	A1452	DB97-17189A	ASSY MANUAL PART; HP,INV,INV,SSEC	SNA	1
6-1-1	3	R0043	DB93-11115K	ASSY REMOCON; RS-1,ENGLISH,37.0*25.0,	SA	1
7	1	A1072	DB94-02613A	ASSY FAN IN PARTS; SSEC	SNA	1
7-1	2	M0039	DB31-00609A	MOTOR FAN; SIC-41CVJ-F127-1,1450,DC311V,C	SA	1
7-2	2	A0821	DB94-02076A	ASSY-CROSS FAN UNIT; INV,SSEC	SA	1
7-2-1	3	A0120	DB94-00455B	ASSY-RUBBER BEARING; WW-PJT,CR,BLK SSEC	SA	1
7-2-1-1	4	A0119	DB94-40007B	ASSY-BEARING; G1-PJT,SSEC	SA	1
7-2-2	3	A0821	DB94-01556B	ASSY FAN CROSS; VIVALDI,SSEC	SA	1