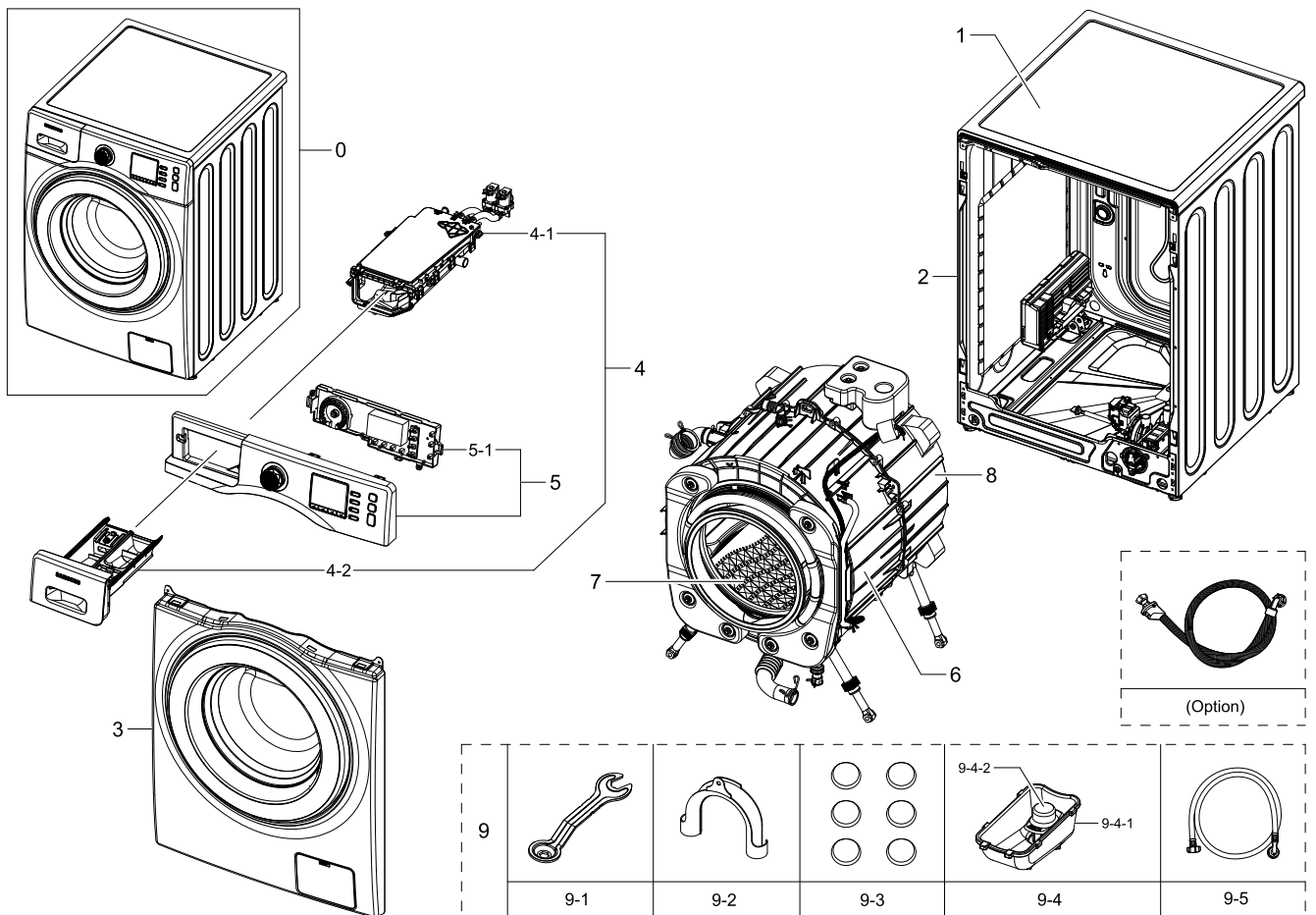


1. WW12R641U0M/EC

Exploded View



Parts List

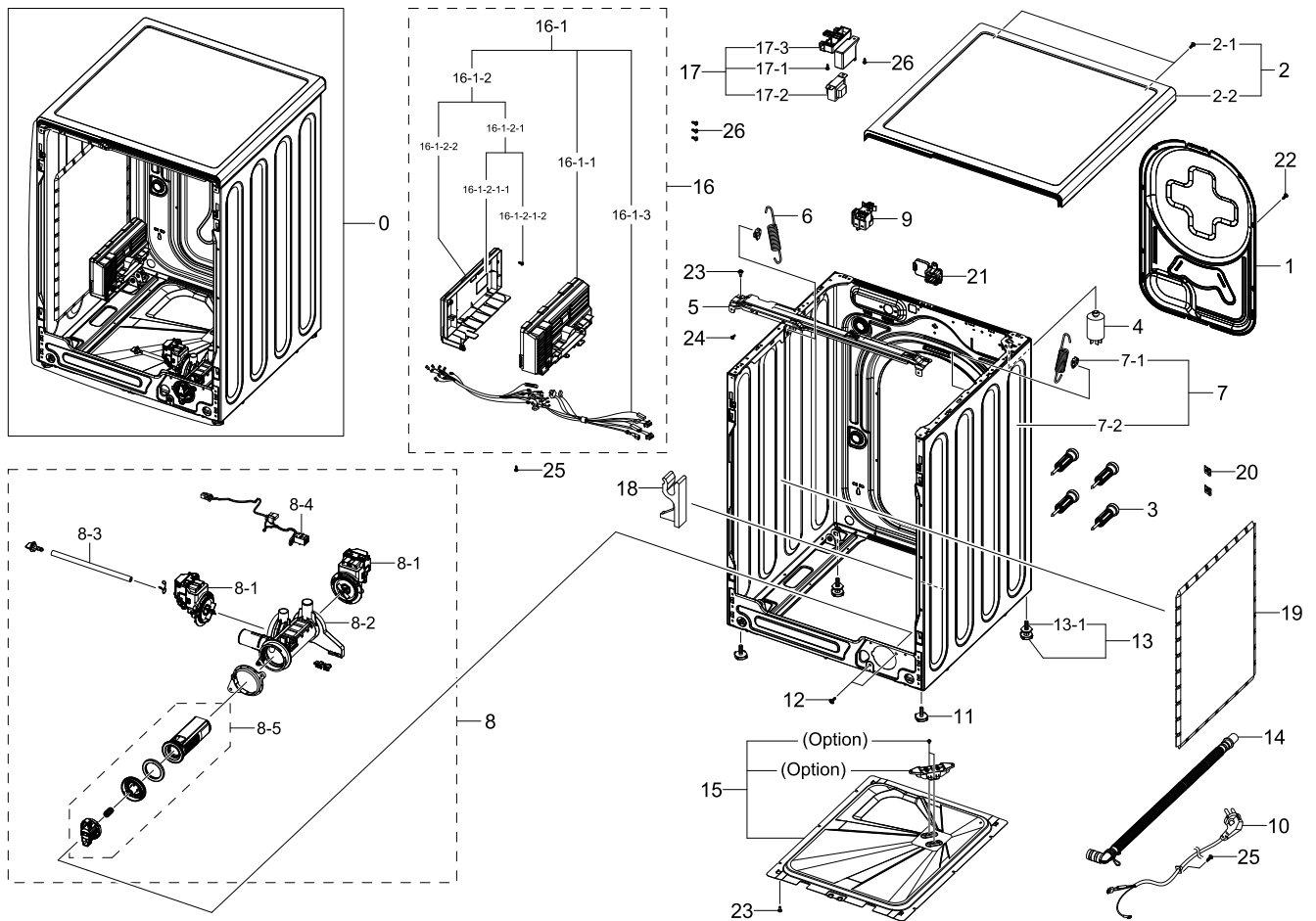
No.	Lvl.	Loc.	Material Code	Description & Specification	SNA	Qty.
1	1	WF0003	DC90-12995A	ASSY COVER TOP; ARNO	SNA	1
2	1		DC90-00118U	ASSY FRAME PARTS; NEW ARNO,DA WHITE	SNA	1
3	1	WF0009	DC90-13614A	ASSY FRONT; WF12F9E6P4W/EO	SNA	1
4	1	WR0005	DC90-06007A	ASSY DRAWER; ARNO PJT,WF1124ZAC/XEF	SNA	1
4-1	2	WR0008	DC97-16643A	ASSY HOUSING DRAWER; ARNO,WF1124ZAC/XEF	SA	1
4-2	2	WR0005	DC97-16696A	ASSY DRAWER; ARNO,WF1124ZAC	SA	1
5	1		DC90-27391A	ASSY PANEL CONTROL PARTS; WW12R641U0M/EC	SNA	1
5-1	2		DC92-00676C	ASSY PCB DISPLAY; FWM_DISPLAY,NEW ARNO,N,	SA	1
6	1	WT0008	DC90-06017A	ASSY TUB FRONT; ARNO PJT,WF1124ZAC/XEF	SNA	1
7	1	WG0004	DC90-06011A	ASSY DRUM; ARNO PJT,WF1124ZAC/XEF	SNA	1
8	1	WT0007	DC90-09979A	ASSY TUB BACK; ARNO,WF2124ZAC/XEE	SNA	1

Exploded Views and Parts List

No.	Lvl.	Loc.	Material Code	Description & Specification	SNA	Qty.
9	1	WA0002	DC90-14228A	ASSY ACCESSORY; WF1124XAC/XEF	SNA	1
9-1	2	WJ5077	DC60-40146A	BOLT SPANER; CR-SPCC,T2.5	SA	1
9-2	2	WH5379	DC62-10278A	HOSE HANGER; PUMP MODEL,PP,ID27,T1.5,HS95	SA	1
9-3	2	WA5001	DC67-00307A	CAP-FIXER; WF438AAC/XAA,PP,T1.5,RECYCLE,B	SC	6
9-4	2	WI0009	DC97-16128A	ASSY COVER DRAWER; SCOUT,WF0704L7W/XEF	SC	1
9-4-1	3	WI0353	DC61-02581C	GUIDE LIQUID-MIDDLE; WF1802XEC,PP,T2,MT43	SA	1
9-4-2	3	WI0108	DC67-00524A	CAP DRAWER; WF0804Y8E/XEF,PP,T2,MT43, PTN	SA	1
9-5	2		DC97-17845A	ASSY HOSE WATER; COLD,ALL MODEL	SA	1

2. Assy Frame&Cover Parts

Exploded View



Parts List

No.	Lvl.	Loc.	Material Code	Description & Specification	SNA	Qty.
1	2	WF0002	DC97-16695A	ASSY COVER BACK; ARNO,WF1124ZAC/XEF	SA	1
2	1	WF0003	DC90-12995A	ASSY COVER TOP; ARNO	SNA	1
2-1	2	WX0490	6002-001431	SCREW-TAPPING; HEX,+2,M5,L16,ZPC(WHT),SW	SA	2
2-2	2	WF0003	DC97-16691L	ASSY COVER TOP; ARNO,WF1124XAC/XEU,WHITE	SA	1
3	2	WJ5109	DC97-14653C	ASSY FIXER TUB; SCOUT,WF0804Y8E/XEF	SA	4
4	2		DC29-00015K	FILTER EMI; 6.5mH,53X95.5X53mm,15A,AC250V	SA	1
5	2		DC97-19344A	ASSY FRAME PLATE-UP; WW8500K	SNA	1
6	2	WF0102	DC61-03099A	SPRING ETC-HANGER; ARNO,HSWR,CD4.2,OD32.2	SA	2
7	2	WF0004	DC97-16703M	ASSY FRAME; NEW ARNO,DA WHITE	SA	1

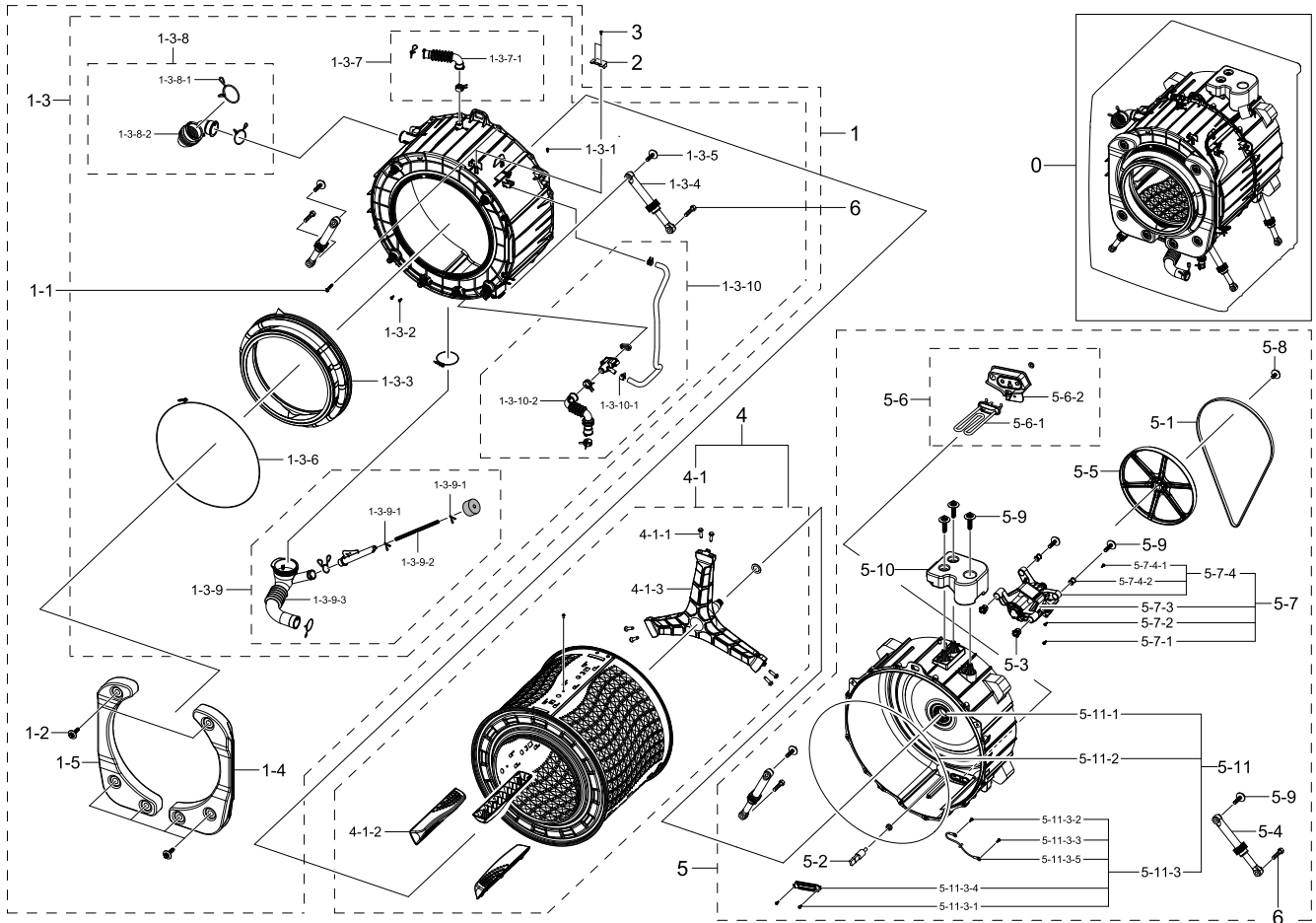
Exploded Views and Parts List

No.	Lvl.	Loc.	Material Code	Description & Specification	SNA	Qty.
7-1	3	WI0266	DC61-02065A	GUIDE SPRING; WF448AAG/XXA,POM,T4,W24,L36	SA	2
7-2	3	WF0067	DC61-03440H	FRAME; NEW ARNO,GI-SGCC,DA WHITE,T0.8,WT9	SNA	1
8	2		DC97-16645G	ASSY PUMP DRAIN; ARNO,WW10H9610EW/SC,230V	SA	1
8-1	3		DC31-00181A	MOTOR AC PUMP; B15-6A/S3019/S3032/PX2025-	SA	2
8-2	3	WU0023	DC61-03082A	CASE PUMP; ARNO,PP,T2.5,W184.6,L165.2,NTR	SA	1
8-3	3		DC67-00244J	HOSE DRAIN; WA5471ABP,EPDM,ID6,OD11,T2.5,	SA	1
8-4	3	WW0006	DC93-00150D	ASSY WIRE HARNESS-PUMP; DRUM-M,ARNO,DRAIN	SA	1
8-5	3	WA0006	DC97-16642B	ASSY FILTER; ARNO,WF1124ZAC/XEF,CLICK HAN	SA	1
9	2	WE0125	DC96-01703G	SENSOR PRESSURE; Air,5V,L0,400mmH2O	SA	1
10	2	WE0054	DC96-00146H	POWER CORD-AT; H05VV-F 3x1.0mm2,GRY,EU3F,	SA	1
11	2		DC97-00920U	ASSY LEG; F500E,WF80F5E5U4W/EF,H33.5,P1.5	SA	2
12	2	WJ0007	DC97-14006A	ASSY SCREW; WF203,M4/L16	SA	2
13	2	WB5005	DC97-14293B	ASSY LEG; GE-PJT,WCVH4800KWW,H52.1	SA	2
13-1	3	WJ0092	DC97-14294B	ASSY LEG BOLT; GE-PJT,WCVH4800KWW	SC	2
14	2		DC97-16680A	ASSY HOSE DRAIN(O); ARNO,WF1124,ASSY,L185	SA	1
15	2	WF0015	DC97-14642A	ASSY PLATE BOTTOM; -,-,NON LEAKAGE SENSOR	SA	1
16	2		DC94-09301A	ASSY PCB EEPROM; 0400,EEPROM,NEW ARNO,ErP	SNA	1
16-1	3		DC92-02146B	ASSY COVER PCB W/HARNESS; NEW ARNO,SMPS	SNA	1
16-1-1	4		DC63-01650A	COVER PCB-MAIN; WD-F900C,ABS,T2.5,-,NATUR	SA	1
16-1-2	4	WZ0010	DC92-00675G	ASSY PCB MAIN; FWM_INV,NEW ARNO,220*121,Y	SA	1
16-1-2-1	5	WZ0025	DC92-02429A	ASSY PCB SUB; FWM_INV,NEW ARNO,Y,240V,ASS	SNA	1
16-1-2-1-1	6		DC94-09305A	ASSY PCB SMD; FWM_INV,NEW ARNO,Y,240V,ASS	SNA	1
16-1-2-1-2	6	WX0615	6002-000630	SCREW-TAPPING; PH,+,NO,2S,M3,L8,ZPC(WHT),	SA	1
16-1-2-2	5		DC94-09308A	ASSY PCB SMD; FWM_INV,NEW ARNO,220*121,Y,	SNA	1
16-1-3	4		DC93-00827A	ASSY WIRE HARNESS-MAIN; DRUM-M,2PUMP,N,Y,	SA	1

No.	Lvl.	Loc.	Material Code	Description & Specification	SNA	Qty.
17	2	WE0026	DC93-00279A	ASSY TRANS REACTORV; ARNO,220~240V,60Hz	SA	1
17-1	3	WX0622	6002-001306	SCREW-TAPPING; TH,+,1,M4,L14,ZPC(WHT),SWR	SA	1
17-2	3	WE0149	DC26-00009P	COIL HARMONIC; 8.5mH, 15%,EI 48mm S-30NA	SA	1
17-3	3	WP0161	DC61-03107A	BRACKET REACTOR; ARNO,PP,T3,NATURAL	SA	1
18	2	WI0383	DC61-02601A	GUIDE HOSE; SEINE COMBO 9.0kg,PS FOAM,WHI	SA	1
19	2	WA0001	DC63-01313A	ABSORBER SOUND; SCOUT2-PJT,PP,WHITE,SOUND	SA	1
20	2		DD61-00140A	BRACKET-TAPPING; SDW-T120B,SK5,T0.6,BLK,C	SNA	2
21	2		DC63-02169A	COVER WIRE; WW8800M,PP,HB,NATURAL	SA	1
22	2	WX0441	6002-000520	SCREW-TAPPING; TH,+,2,M4,L12,ZPC(WHT),SWR	SA	10
23	2	S0025	6006-001174	SCREW-TAPPING; TH,+,WT,2S,M4,L12,ZPC(WHT)	SA	4
24	2	WX0512	6009-001240	SCREW-SPECIAL; TH,+,M5,L13.5,ZPC(WHT),SWR	SA	2
25	2		6003-001768	SCREW-TAPTYPE; TH,+,WT,S,M4,L10,ZPC(WHT),	SA	1
26	2	S0025	6006-001174	SCREW-TAPPING; TH,+,WT,2S,M4,L12,ZPC(WHT)	SA	8

3. Assy Tub&Drum

Exploded View



Parts List

No.	Lvl.	Loc.	Material Code	Description & Specification	SNA	Qty.
1	1	WT0008	DC90-06017A	ASSY TUB FRONT; ARNO PJT,WF1124ZAC/XEF	SNA	1
1-1	2	WX0520	6009-001367	BOLT-HEX; M6.5,L32,ZPC(WHT),SWRCH18A,HWH	SA	14
1-2	2	WJ5013	DC97-14263A	ASSY BOLT; MOTOR/BOLT(M8)+WASHER(OD27.5),	SA	6
1-3	2	WT0004	DC97-16628A	ASSY SEMI TUB FRONT; ARNO,WF1124ZAC/XEF	SA	1
1-3-1	3	WX0412	6002-000213	SCREW-TAPPING; TH,+,1,M4,L12,ZPC(WHT),SWR	SA	1
1-3-2	3	WX0427	6002-000445	SCREW-TAPPING; TH,+,NO,2,M4,L18,PASS,STS4	SA	2
1-3-3	3	WD0067	DC64-02684A	DOOR DIAPHRAGM; ARNO-PJT,EPDM,T1.5,WASHER	SA	1

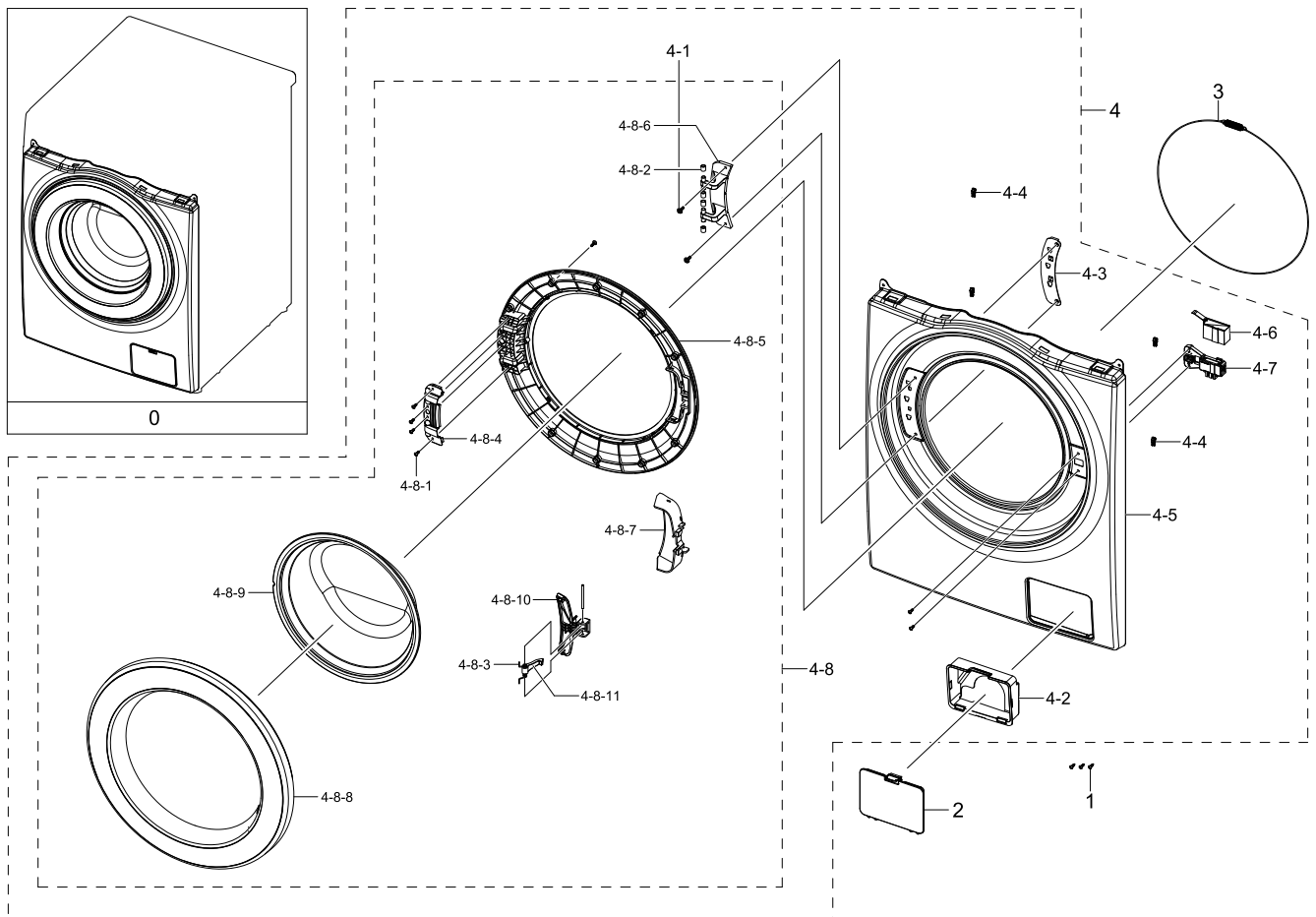
No.	Lvl.	Loc.	Material Code	Description & Specification	SNA	Qty.
1-3-4	3	WB5214	DC66-00343K	DAMPER SHOCK; GE24"-PJT,PP,60N,W24,BLACK,	SA	2
1-3-5	3	WJ5013	DC97-14263A	ASSY BOLT; MOTOR/BOLT(M8)+WASHER(OD27.5),	SA	2
1-3-6	3	WJ0002	DC97-14618A	ASSY CLAMP DIAPHRAGM; WF8804DP,OD2.0/L124	SA	1
1-3-7	3	WH5017	DC97-14873B	ASSY HOSE AIR; HEBA,WF8702,-,BLACK	SA	1
1-3-7-1	4	WH5206	DC67-00354A	HOSE AIR; HEBA PJT,EPDM,BLACK,18.3g	SA	1
1-3-8	3	WH5375	DC97-14874C	ASSY HOSE DRAWER; HEBA BIGBANG,WF0800NCE,	SA	1
1-3-8-1	4		DC65-60118R	CLIP RING; AEGIS-PJT,HSWR-SWRH,T3.0,ID37	SA	1
1-3-8-2	4	WH5191	DC67-00422A	HOSE DRAWER TUB; HEBA-PJT,EPDM,BLK	SC	1
1-3-9	3	WH5387	DC97-16644A	ASSY HOSE PRESSURE; ARNO,WF1124ZAC/XEF	SA	1
1-3-9-1	4	WP0165	DC61-70029C	CLIP RING; SEW-HW125,HSWR,WHITE	SA	2
1-3-9-2	4	WH5388	DC67-00576A	HOSE WATER; ARNO,TPE,ID4.5,OD8,T2.5,L870,	SA	1
1-3-9-3	4	WH0012	DC67-00577A	HOSE FILTER TUB; ARNO,EPDM,T1.5,BLK	SA	1
1-3-10	3		DC97-16722A	ASSY HOSE CIRCULATION; ARNO,WF1124ZAC,EPD	SA	1
1-3-10-1	4		DC65-00008A	CLAMPER HOSE; SEW-DR605,SK5,-,ID14.2/T0.9	SA	2
1-3-10-2	4	WH5389	DC67-00568A	HOSE AIR TUB; ARNO-PJT,EPDM,T1.5,BLK	SA	1
1-4	2		DC97-16697B	ASSY WEIGHT BALANCER; F900C,ARNO COMBO,5k	SA	1
1-5	2	WE5190	DC97-16698A	ASSY WEIGHT BALANCER-LEFT; ARNO,WF1124ZAC	SA	1
2	2	WE5187	DC93-00278A	ASSY SENSOR; MEMS SENSOR,3.3V,ARNO,-,ARNI	SA	1
3	2	WX0412	6002-000213	SCREW-TAPPING; TH,+,1,M4,L12,ZPC(WHT),SWR	SA	1
4	1	WG0004	DC90-06011A	ASSY DRUM; ARNO PJT,WF1124ZAC/XEF	SNA	1
4-1	2	WG0004	DC97-16699A	ASSY DRUM; WF1124ZAC	SA	1
4-1-1	3	WJ5081	DC60-40137A	BOLT HEX; MARS-PJT,STS430,M8,P1.25,L30,HE	SA	6
4-1-2	3	WG0055	DC66-00677A	DRUM LIFTER; ARNO,PP,W54,H45.8,L302,T2.5,	SA	3
4-1-3	3	WS0006	DC97-16625A	ASSY FLANGE SHAFT; WF1124ZAC/XEF	SA	1
5	1	WT0007	DC90-09979A	ASSY TUB BACK; ARNO,WF2124ZAC/XEE	SNA	1
5-1	2	WS0060	6602-001497	BELT-TIMING GEAR; RUBBER(GATES),T3.2,1270	SA	1
5-2	2	WE5177	DC32-00010C	THERMISTOR;WASHER,-10~100,5,5,3.243k ± 2	SA	1
5-3	2	WS0064	DC61-02549A	BUSH MOTOR; HEBA BIGBANG,PA,NATURE	SA	2
5-4	2	WB5214	DC66-00343K	DAMPER SHOCK; GE24"-PJT,PP,60N,W24,BLACK,	SA	2

Exploded Views and Parts List

No.	Lvl.	Loc.	Material Code	Description & Specification	SNA	Qty.
5-5	2	WS0109	DC66-00530B	PULLEY MOTOR; HEBA BIGBANG,ALDC,OD296.8,I	SA	1
5-6	2	WE0010	DC93-00281A	ASSY HEATER; ARNO,220~240V,2000W,Silicone	SA	1
5-6-1	3	WE0155	DC47-00033A	HEATER-WASH;AC230V,Double Fuse (167°C, Cu	SC	1
5-6-2	3	WE0060	DC63-01340A	COVER HEATER; ARNO,ABS+PC,T3,W143,D40.7,H	SA	1
5-7	2		DC93-00316A	ASSY MOTOR-BLDC; ARNO,WDM500FGB,F,DC310V,	SA	1
5-7-1	3		6001-002674	SCREW-MACHINE; TH,+,NO,M4,L10,ZPC(WHT),SW	SA	2
5-7-2	3		6011-004740	BOLT-ETC; M5,L 50/60/75,SWCH 10A,LOCK,SWC	SA	4
5-7-3	3		DC93-00314A	ASSY STATOR; WF-MTR00316A,220~240V,46mm	SA	1
5-7-4	3	WI0042	DC97-17008C	ASSY HOUSING; WDM500FGB,ALDC 12,35,110	SNA	1
5-7-4-1	4		6003-001768	SCREW-TAPTYPE; TH,+,WT,S,M4,L10,ZPC(WHT),	SA	1
5-7-4-2	4		DC67-00587A	RUBBER-HOUSING; WDM500FGA,NBR,ID14,OD26,T	SA	2
5-8	2		DC97-06080F	ASSY BOLT; WD9500J,30,M12,Washer 38	SA	1
5-9	2	WJ5013	DC97-14263A	ASSY BOLT; MOTOR/BOLT(M8)+WASHER(OD27.5),	SA	7
5-10	2	WE5188	DC97-16702A	ASSY WEIGHT BALANCER-UP; ARNO,WF1124ZAC,5	SA	1
5-11	2	WT0007	DC97-16708A	ASSY TUB BACK; ARNO,WF1124ZAC	SA	1
5-11-1	3	WS0119	DC62-00156A	SEAL OIL; TS85-PJT,NBR,BLK	SA	1
5-11-2	3	WO0055	DC69-01769A	PACKING-TUB; ARNO,EPDM,EPDM,T5.5,L1720,BL	SA	1
5-11-3	3	WT0003	DC97-16726A	ASSY SEMI TUB BACK; ARNO,WF1124ZAC	SNA	1
5-11-3-1	4	WX0434	6002-000471	SCREW-TAPPING; TH,+,-,1,M4,L12,PASS,STS30	SA	2
5-11-3-2	4		6003-001768	SCREW-TAPTYPE; TH,+,WT,S,M4,L10,ZPC(WHT),	SA	1
5-11-3-3	4	S0025	6006-001174	SCREW-TAPPING; TH,+,WT,2S,M4,L12,ZPC(WHT)	SA	1
5-11-3-4	4	WP0099	DC61-02664A	BRACKET HEATER; HEBA,STS430,T0.6	SA	1
5-11-3-5	4	WW5711	DC96-01327D	ASSY WIRE HARNESS-EARTH; DRUM-M,WF1124ZAQ	SA	1
6	2	WX0558	6011-001644	BOLT-HEX; M10,L35,ZPC2,SM10C,DAMPER	SA	4

4. Assy Front

Exploded View



Parts List

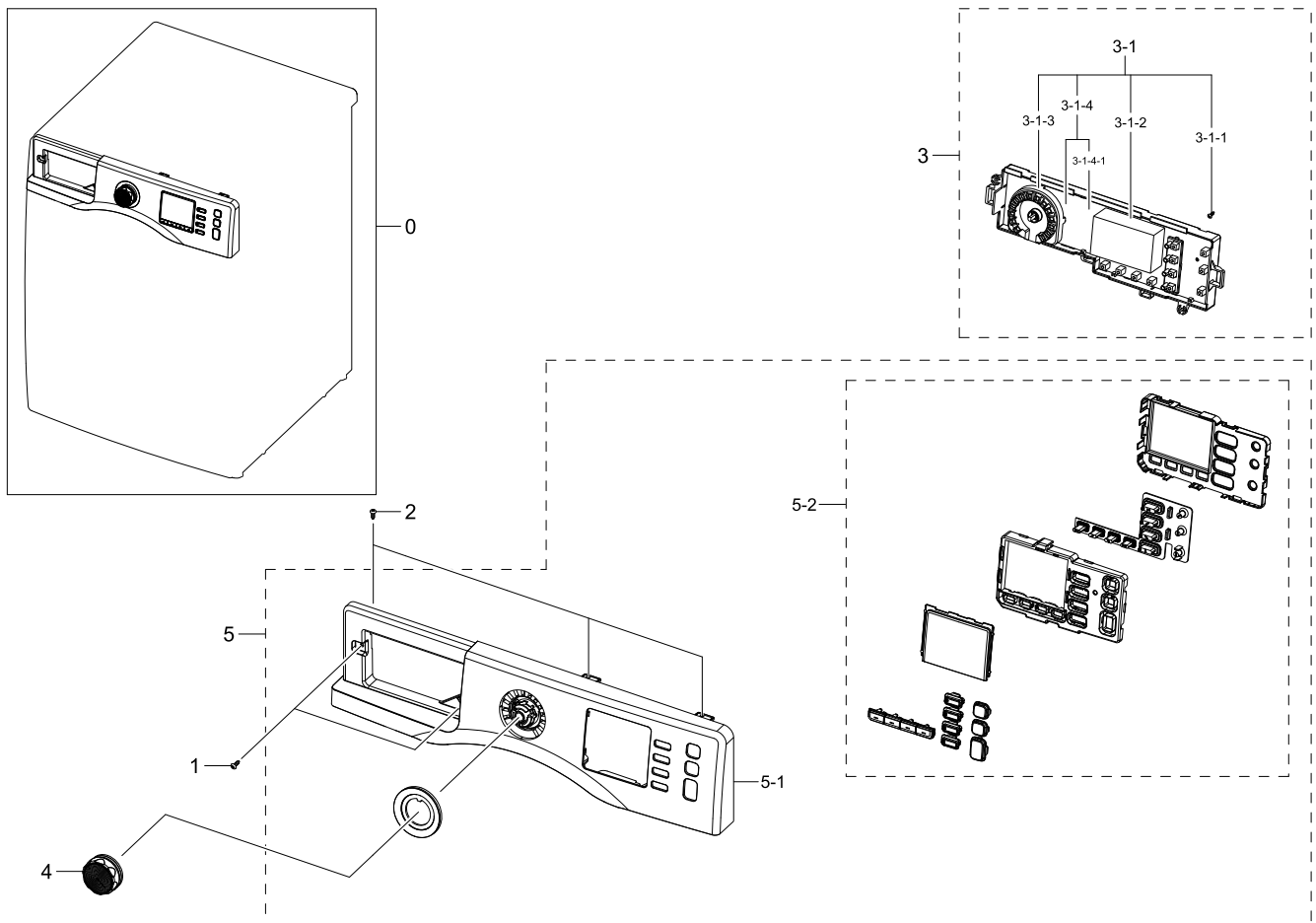
No.	Lvl.	Loc.	Material Code	Description & Specification	SNA	Qty.
0	1	WF0009	DC90-13614A	ASSY FRONT; WF12F9E6P4W/EO	SNA	1
1	2	WX0441	6002-000520	SCREW-TAPPING; TH,+,2,M4,L12,ZPC(WHT),SWR	SA	3
2	2	WI0167	DC63-00854A	COVER-FILTER; WF8804DP,ABS,T2,W150.7,L115	SA	1
3	2	WJ0008	DC91-12078D	ASSY WIRE DIAPHRAGM; HEBA-PJT,-,-,-,-	SA	1
4	2	WF0005	DC97-16631A	ASSY FRAME FRONT; ARNO,WF1124ZAC/XEF	SA	1
4-1	3	WX0534	6009-001522	SCREW-HEX; HWH,+,M5,L16,PASS,STS430,FP,SE	SA	2
4-2	3	WI0248	DC61-01917A	GUIDE FILTER; WF8804DP,HIPS,T2.5,HB,HG-17	SA	1
4-3	3	WP0101	DC61-01919A	BRACKET HINGE; WF8804DP,GI-SGCC,T1.4,L161	SA	1
4-4	3	WF0128	DC61-02577A	GUIDE FRAME FRONT; WF0800NCE,POM,-,W4.1,L	SA	4

Exploded Views and Parts List

No.	Lvl.	Loc.	Material Code	Description & Specification	SNA	Qty.
4-5	3	WF0082	DC61-03094D	FRAME FRONT; WF1124XAC,EGI-SECC,-,DA WHIT	SA	1
4-6	3	WE0059	DC63-00967A	COVER DOOR SWITCH; AEGIS-PJT/ WF8500NHW,P	SA	1
4-7	3	WE0067	DC64-01538A	SWITCH DOOR LOCK; AC250V,16,BIMETAL	SA	1
4-8	3	WD0003	DC97-16727A	ASSY DOOR; ARNO,WF1124ZAC	SA	1
4-8-1	4	WX0427	6002-000445	SCREW-TAPPING; TH,+,NO,2,M4,L18,PASS,STS4	SA	4
4-8-2	4	WD0090	DC61-00891A	GUIDE HINGE; HAUZEN(DOM),POM,B,white,HING	SA	4
4-8-3	4	WD0130	DC61-02027A	SPRING ETC LEVER; STS304,CD1.2,L10.6	SA	1
4-8-4	4	WP0103	DC61-03084A	BRACKET HOLDER; ARNO,GI-SGCC,T1.2	SA	1
4-8-5	4	WD0104	DC61-03088A	HOLDER GLASS; ARNO,PP,-,Dark holder gray,	SA	1
4-8-6	4	WD0096	DC61-03189A	HINGE DOOR; WF8804DP,PA66,T5,W51.7,L156.7	SA	1
4-8-7	4	WI0153	DC63-01384A	COVER HANDLE; WF1124ZAC,ABS,-,VERSAILLE	SA	1
4-8-8	4	WD0037	DC63-01387A	COVER DOOR; WF1124ZAC,ABS,T3,NATURAL,TX-0	SA	1
4-8-9	4	WD0070	DC64-01790A	DOOR GLASS; AEGIS,GLASS,T5,W353.0	SA	1
4-8-10	4	WD0093	DC64-02720A	HANDLE DOOR; WF1124ZAC,ABS,-,HG-0760GP,-,	SA	1
4-8-11	4	WD0114	DC66-00497B	LEVER DOOR; WF8804DPA1,ZNDC,T5,W10,L46,PL	SA	1

5. Assy Panel Control Parts

Exploded View



Parts List

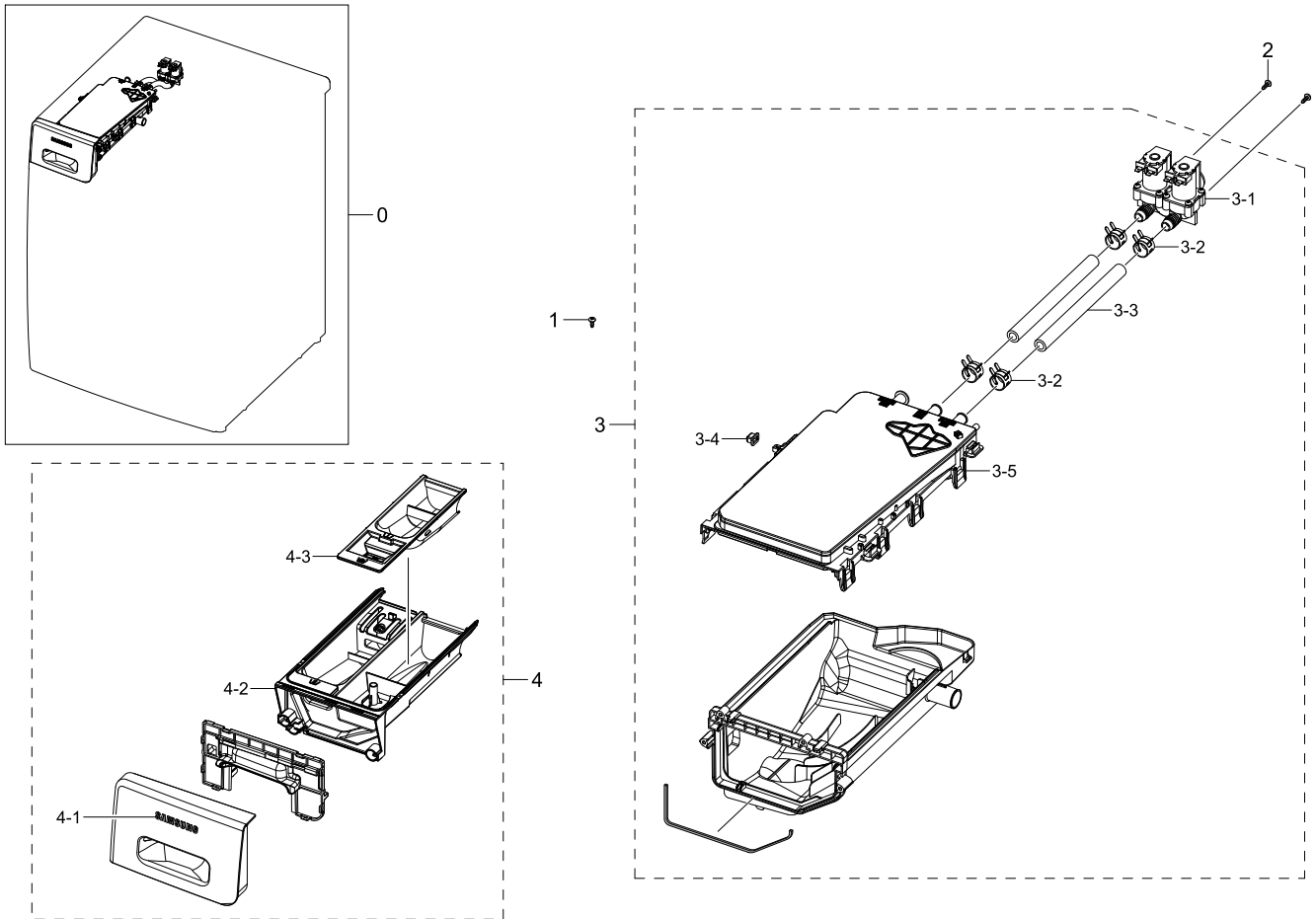
No.	Lvl.	Loc.	Material Code	Description & Specification	SNA	Qty.
0	1		DC90-27391A	ASSY PANEL CONTROL PARTS; WW12R641U0M/EC	SNA	1
1	2	WX0427	6002-000445	SCREW-TAPPING; TH,+,NO,2,M4,L18,PASS,STS4	SA	2
2	2	WX0441	6002-000520	SCREW-TAPPING; TH,+,2,M4,L12,ZPC(WHT),SWR	SA	3
3	2		DC92-00676C	ASSY PCB DISPLAY; FWM_DISPLAY,NEW ARNO,N,	SA	1
3-1	3	WZ0050	DC94-09310A	ASSY PCB MANUAL; FWM_DISPLAY,NEW ARNO,N,2	SNA	1
3-1-1	4	WX0419	6002-000239	SCREW-TAPPING; TH,+,NO,2S,M4,L8,ZPC(WHT),	SA	2
3-1-2	4	WC0088	DC61-03097A	GUIDE LED; ARNO,HIPS,T1.5,W22.2,L77.2,H13	SA	1
3-1-3	4	WP0088	DC61-03098A	BRACKET-ENCODER; ARNO,HIPS,T1.5,W75.8,L78	SA	1

Exploded Views and Parts List

No.	Lvl.	Loc.	Material Code	Description & Specification	SNA	Qty.
3-1-4	4	WZ0005	DC94-09309A	ASSY PCB AUTO; FWM_DISPLAY,NEW ARNO,N,240	SNA	1
3-1-4-1	5		DC94-09311A	ASSY PCB SMD; FWM_DISPLAY,NEW ARNO,N,240V	SNA	1
4	2	WC0009	DC97-16996A	ASSY KNOB ENCODER; BAIKAL-PJT,WF702Y4BKWD	SA	1
5	2	WC0016	DC97-21604D	ASSY PANEL CONTROL; NEW ARNO,EC,SPN	SA	1
5-1	3		DC64-03046B	PANEL CONTROL; ABS,-,HG-0760GP,DA WHITE,W	SA	1
5-2	3	WC0001	DC97-21605D	ASSY BUTTON; NEW ARNO,EC,ErP	SA	1

6. Assy Drawer

Exploded View



Parts List



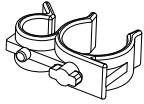

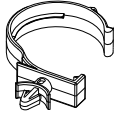


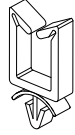
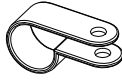

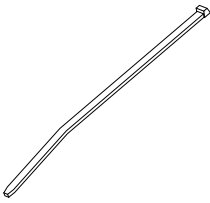

No.	Lvl.	Loc.	Material Code	Description & Specification	SNA	Qty.
0	1	WR0005	DC90-06007A	ASSY DRAWER; ARNO PJT,WF1124ZAC/XEF	SNA	1
1	2	WX0412	6002-000213	SCREW-TAPPING; TH,+,1,M4,L12,ZPC(WHT),SWR	SA	1
2	2		6009-002233	SCREW-SPECIAL; TH,+,M4,L12(Tap6),ZPC(WHT)	SA	2
3	2	WR0008	DC97-16643A	ASSY HOUSING DRAWER; ARNO,WF1124ZAC/XEF	SA	1
3-1	3	WE5152	DC62-00024M	VALVE WATER; AC220-240V,Bracket,1in 2out,	SC	1
3-2	3		DC65-00008A	CLAMPER HOSE; SEW-DR605,SK5,-,ID14.2/T0.9	SA	4
3-3	3	WH5267	DC67-00051B	HOSE DRAWER; Q1636GW/XEU,EPDM,ID9.0,OD14.	SA	0.4
3-4	3		DC67-00327A	CAP DRAWER HOOK; HEBA-PJT,EPDM,T1.1,BLK,W	SA	1

Exploded Views and Parts List

No.	Lvl.	Loc.	Material Code	Description & Specification	SNA	Qty.
3-5	3	WR0012	DC97-16006A	ASSY S.HOUSING DRAWER; SCOUT,WF0804Y8E,PP	SA	1
4	2	WR0005	DC97-16696A	ASSY DRAWER; ARNO,WF1124ZAC	SA	1
4-1	3	WC0114	DA64-03804A	MASCOT; ALL,Ni,L65	SA	1
4-2	3	WR0029	DC61-02580A	BODY DRAWER; WW8000H,PP,DA WHITE,WT0035,M	SA	1
4-3	3	WI0125	DC67-00452A	CAP RINSE; WF0800NCE,PP,MT43, PTN960,HONE	SA	1

7. Small Parts

Exploded View

				
1	2	3	4	5
				
6	7	8	9	10
				
11	12			

Parts List

No.	Lvl.	Loc.	Material Code	Description & Specification	SNA	Qty.
1	2	WI0293	DC61-01736A	HOLDER WIRE; SEW-HKR149ATA,PA,NATURAL,NEW	SA	1
2	3	WI0293	DC61-40083A	HOLDER WIRE; DAWH-3ND,PA66,NTR(PI24.4)/NY	SNA	1
3	2		DC61-00133A	CLAMPER HOSE-FIX; P1291,PP,-,HOSE+PLUG,BJ	SNA	1
4	2		DC61-00118A	CLAMP-CABLE; P1291,PA66,NATURAL,NC0001	SNA	1
5	2		DC61-02879A	HOLDER WIRE; WF8804CPA,PA,-,NATURAL,-,211	SA	1
6	2	WI0293	DC61-40081A	HOLDER WIRE; DAWH-2NC,PA66,-,NATURAL,-	SA	1
7	3	WI0295	DC61-60074A	HOLDER WIRE; PA,-,NATURAL,-,101F,rectangl	SA	1

Exploded Views and Parts List

No.	Lvl.	Loc.	Material Code	Description & Specification	SNA	Qty.
8	3	WI0294	DC61-00553B	CABLE CLAMP; DAWS-3NE,PA66,NTR	SNA	1
9	4		DC65-20010A	CABLE CLAMP; DA-9N-1,NYLON66,NTR	SNA	1
10	2		6502-000127	CABLE CLAMP; DAWH-18NB,PA66,NTR	SA	1
11	3	WJ0021	6501-001001	CABLE TIE; DACT-100A,T1.0,W2.5,L100,NTR,N	SNA	1
12	2	WI0295	DC61-60074A	HOLDER WIRE; PA,-,NATURAL,-,101F,rectangl	SA	1