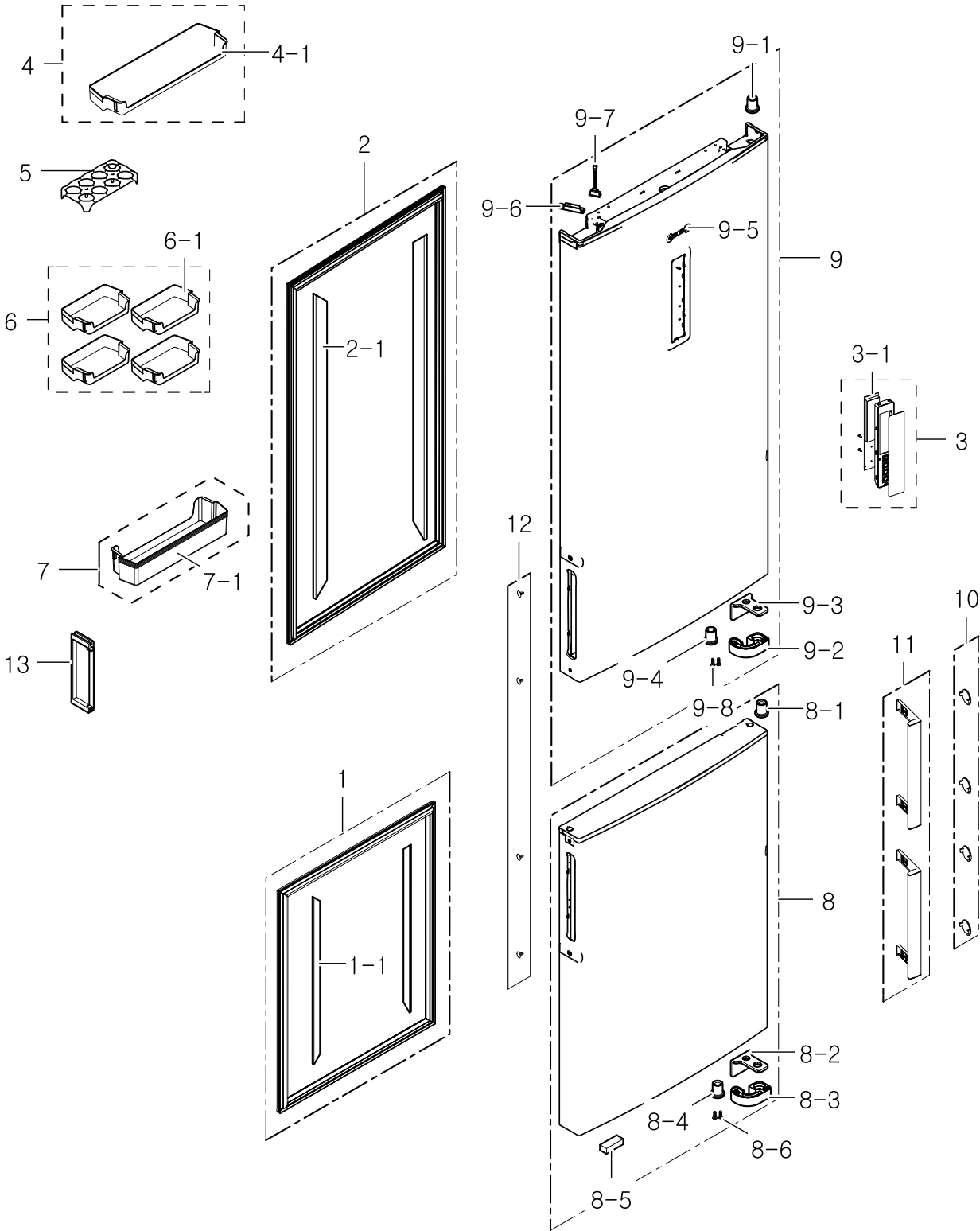


# 1. Door

## Exploded View



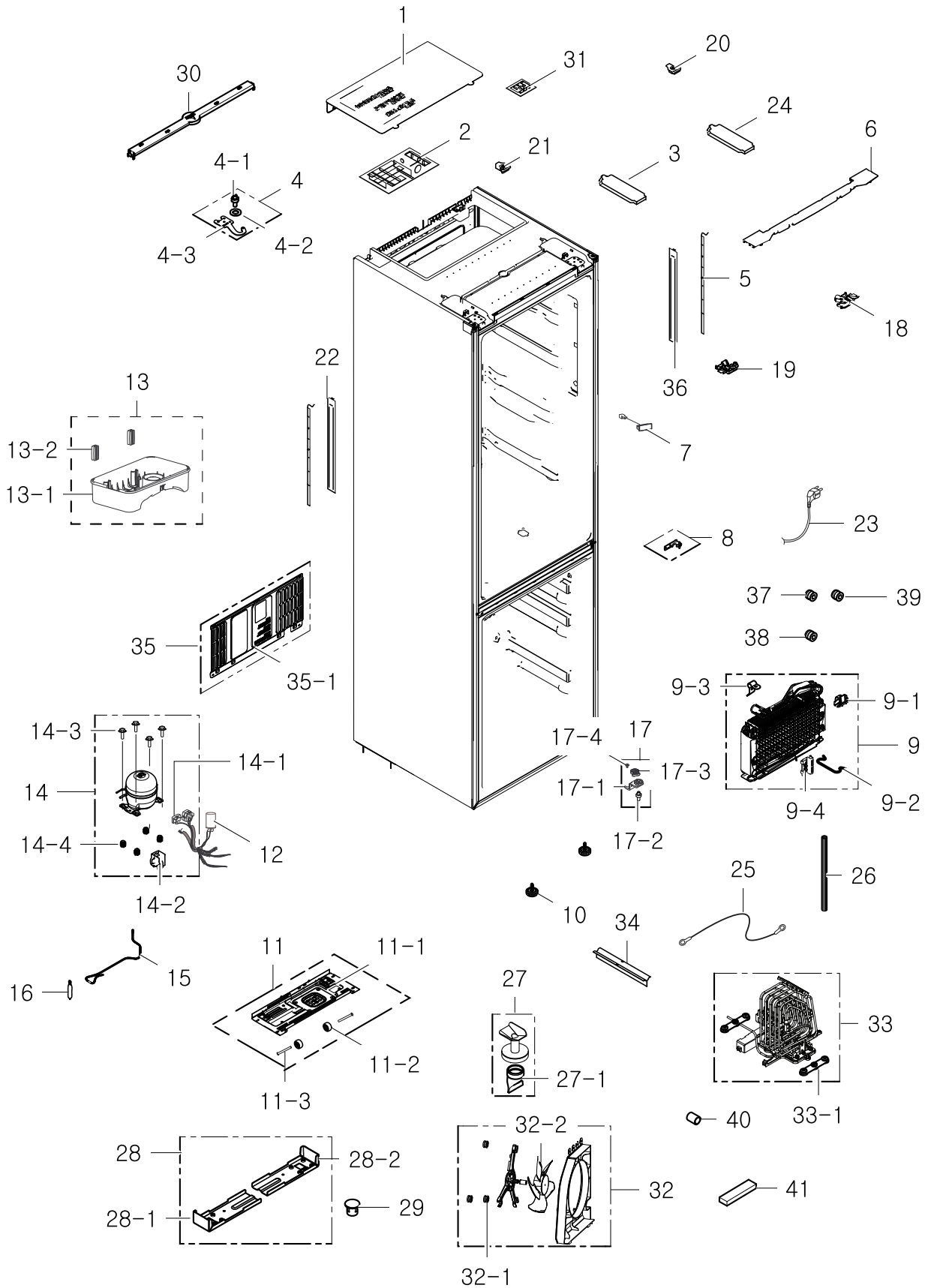
**Parts List**

No.	Lvl.	Loc.	Material Code	Description & Specification	SNA	Qty.
1	2		DA97-12398W	ASSY GASKET-FRE; RL58/60, GRAY, L748.5 W5	SNA	1
1-1	3	G0503	DA61-08060F	MAGNET-GASKET; GRANDCRU-PJT,FERRITE	SNA	2
2	2		DA97-13921P	ASSY GASKET-REF; RB5000J,RB37,GRAY	SA	1
2-1	3	G0502	DA61-08060D	MAGNET-GASKET; GRANDCRU-PJT,FERRITE	SNA	2
3	2	A0626	DA97-11409N	ASSY COVER CONTROL; GRAN CRU,ASS'Y,INOX,C	SA	1
3-1	3	G0069	DA92-00178E	ASSY PCB KIT LED; LED DISPLAY,GRAND CRU,1	SA	1
4	2	A0658	DA97-11990B	ASSY GUARD REF-UPP; GRAND-CRU,GALAXY PATT	SA	1
4-1	3	A0634	DA63-06305B	GUARD REF-UPP; GRAND-CRU,GPPS,TP BLUE,GAL	SA	1
5	2	A0656	DA63-06221A	TRAY EGG; GRAND-CRU,GPPS,TP BLUE,165N,HI-	SA	1
6	2	G0401	DA97-11993B	ASSY GUARD-VARIETY; GRAND-CRU,GALAXY PATT	SA	4
6-1	3	A0153	DA63-06307B	GUARD VARIETY; GRAND-CRU,GPPS,TP BLUE,GAL	SA	4
7	2	A0657	DA97-11992B	ASSY GUARD REF-LOW; GRAND-CRU,GALAXY PATT	SA	1
7-1	3	A0635	DA63-06306B	GUARD REF-LOW; GRAND-CRU,GPPS,TP BLUE,GAL	SA	1
8	2	M0063	DA91-04482P	ASSY DOOR FOAM-FRE; RL60GQGIH, VCM INOX	SA	1
8-1	5	A0552	DA63-05627A	GROMMET-HINGE; GROMET,PA66,NATURAL,GROMET	SA	1
8-2	5	A0551	DA61-06259B	BRACKET-STOPPER DOOR; Grand Cru/Sam-Pjt,G	SC	1
8-3	5	A0597	DA61-06228A	STOPPER-DOOR; Grand Cru/Sam Pjt,POM,NTR	SA	1
8-4	5	A0552	DA63-05627A	GROMMET-HINGE; GROMET,PA66,NATURAL,GROMET	SA	1
8-5	5	A0534	DA61-03769B	MAGNET; SVETA,MAGNET,T5,W15,L18	SA	1
8-6	5	G0412	6002-001503	SCREW-TAPPING; TH,+,NO,1,M4,L16,STS304,80	SA	2
9	2	Z1100	DA91-04483S	ASSY DOOR FOAM-REF; RL60GQGIH, VCM INOX	SA	1
9-1	5	A0552	DA63-05627A	GROMMET-HINGE; GROMET,PA66,NATURAL,GROMET	SA	1
9-2	5	A0597	DA61-06228A	STOPPER-DOOR; Grand Cru/Sam Pjt,POM,NTR	SA	1
9-3	5	A0551	DA61-06259B	BRACKET-STOPPER DOOR; Grand Cru/Sam-Pjt,G	SC	1
9-4	5	A0552	DA63-05627A	GROMMET-HINGE; GROMET,PA66,NATURAL,GROMET	SA	1
9-5	3	M0196	DA64-04020C	MASCOT; ALL,NI,-,T0.06,L80	SA	1

No.	Lvl.	Loc.	Material Code	Description & Specification	SNA	Qty.
9-6	5	G0271	DA67-02385C	CAP DOOR SWITCH; SVETA-PJT,PP,T1.5,75.5,1	SA	1
9-7	5		DA34-00043J	SWITCH REED; UL1007 AWG 22,50mm,DEM1-B503	SA	1
9-8	5	G0412	6002-001503	SCREW-TAPPING; TH,+,NO,1,M4,L16,STS304,80	SA	2
10	2	A0550	DA67-02780C	CAP-HANDLE SCREW; ABS,VERSAILLES SILVER	SA	4
11	2	A0553	DA97-15092C	ASSY HANDLE; GRAN-CRU,VERSAILLES ALUMINUM	SC	2
12	2	A0826	DA67-02684H	CAP SCREW; GRAND CRU,ABS,T1.0,HB,HG-0760G	SA	4
13	2	G0220	DA67-03055B	CAP-SPACE DOOR; GRAND CRU,ABS,INOX(GY0023	SA	1

# 2. Over All

## Exploded View



## Parts List

No.	Lvl.	Loc.	Material Code	Description & Specification	SNA	Qty.
1	2	G0089	DA63-06361B	COVER PCB-PANEL; GRAND CRU,GI-SGCC,T0.3	SA	1
2	2	A0952	DA92-00177A	ASSY PCB MAIN; PBA MAIN,GRAND CRU,123*197	SA	1
3	2	G0217	DA63-06395B	COVER HINGE-A; GRAND CRU,HIPS,HB,COOL WHI	SA	1
4	2	M0346	DA97-11472A	ASSY HINGE-UPP; GRAND CRU,WHITE	SA	1
4-1	3	A0518	DA66-00385A	SHAFT-HINGE; CORE,SWRCH10A,NATURAL,ZPC3(W	SA	1
4-2	3	A0509	DA66-00741A	SHAFT-WASHER; Grand Cru/Sam Pjt,HIPS,OD12	SA	1
4-3	3	G0259	DA97-11865A	ASSY HINGE UPP-SPRAY; GRAND CRU	SA	1
5	2	G0090	DA41-00676D	ASSY LAMP LED; 4ea,FR-4,353*10,WHITE,SMAW	SA	2
6	2	G0215	DA63-06393J	COVER-WIRE DOOR; GRAND-CRU,HIPS,INOX (GY0	SA	1
7	2	G0068	DA34-00043A	SWITCH REED; UL1007 AWG 22,100mm,DEM1-B50	SA	1
8	2	A0513	DA97-12375B	ASSY HINGE MID; GRAND CRU,Zn painting	SA	1
9	2	A0163	DA96-01090A	ASSY EVAP-FRE; GRAND-CRU_RL60/58,230V,150	SA	1
9-1	3	G0205	DA61-07410A	FIXER-HEATER FRE; NW2,PP,NATURAL,BJ750	SA	2
9-2	3		DA61-02526A	FIXER-EVAP FRE,SUB; NEXT,AL,2.0,-,-	SNA	1
9-3	3	M9010	DA61-03644A	PLATE-EVAP HEATER; AW-PJT,AI,T0.7	SA	1
9-4	3	A0744	DA61-07411A	FIXER-FUSE; NW2,PP,NATURAL,BJ750	SA	1
10	2	Z1128	DA61-07546B	LEG-FRONT; GRAND CRU,PP,BLACK,RM60,PP Scr	SA	2
11	2	A0738	DA97-11278A	ASSY CHASSIS-COMP; GRAND_CRU,SBHG1,T0.8,A	SC	1
11-1	3	G0258	DA97-11860A	ASSY CHASSIS-SUB COMP; GRAND CRU,ASSY	SA	1
11-2	3	A0527	DA61-06202A	CASTER-REAR; GRAND-CRU,PP,NATURAL	SA	2
11-3	3	A0861	DA60-90146A	PIN-CASTER; SR-289-429,MSWR10,OD6.0,L38,Z	SA	2
12	2	M2000	DA27-00032A	COIL FILTER-EMI; 400L,8.0mH,60*82mm,BOX,S	SA	1
13	2	A0749	DA97-13658A	ASSY TRAY-DRAIN WATER; 3050_LMF(RB29/31),	SA	1
13-1	3	A0531	DA63-06630A	TRAY-DRAIN WATER; 3050_LMF,PP,T2.0,NATURA	SNA	1
13-2	3		DA63-08036A	GROMMET-LOW; 3050-1,2,NBR,BLACK	SA	2

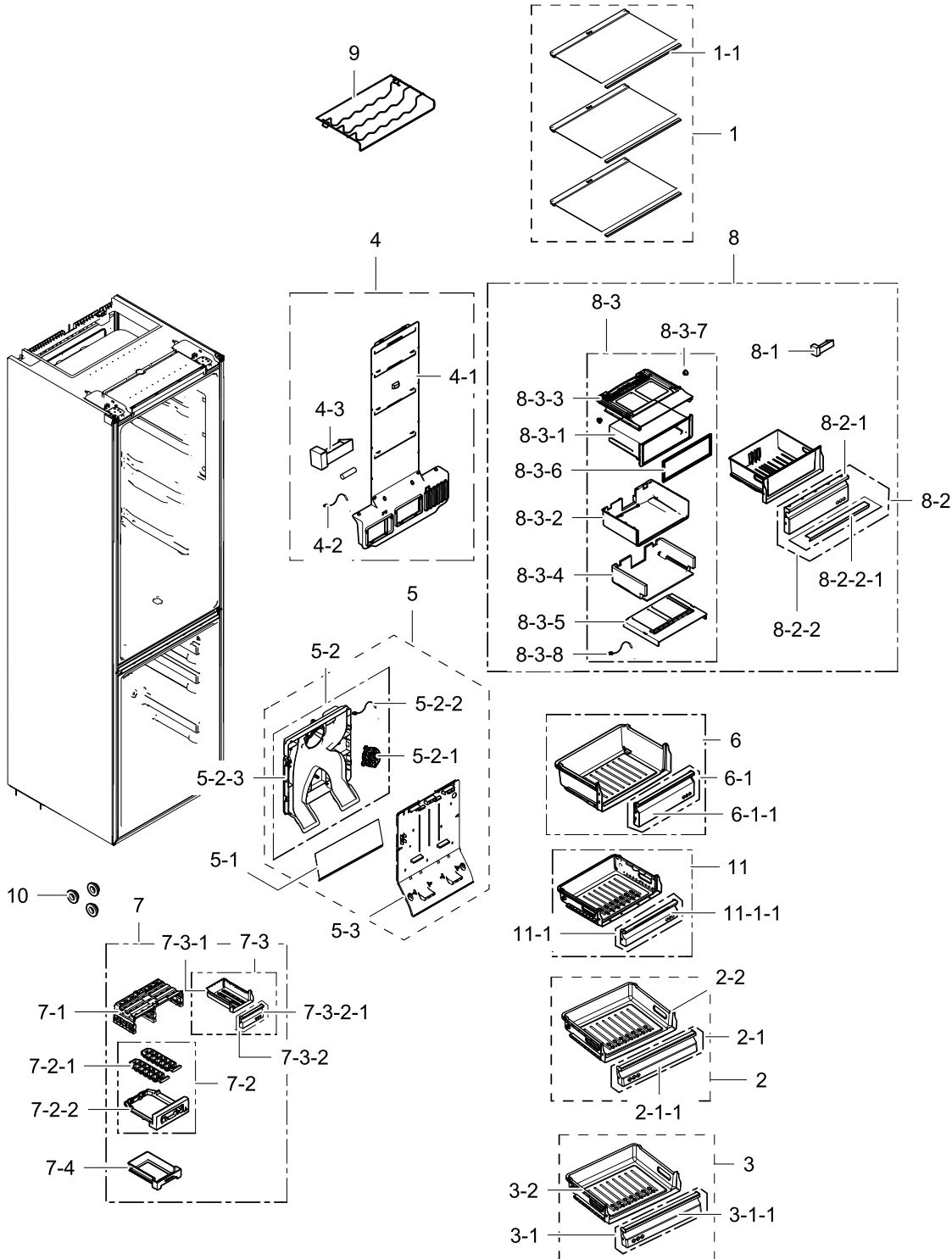
Exploded Views and Parts List

No.	Lvl.	Loc.	Material Code	Description & Specification	SNA	Qty.
14	2	G0405	MSV4A1AL1B/AK1	COMPRESSOR,BLDC IPM,11.1CC,115/220V,STAI; COMPRESSOR,BLDC IPM,11.1CC,115/220V,STAI		1
14-1	3	A0575	DA34-00004B	RELAY PROTECTOR O/L; 4TM308RFBYY-82	SNA	1
14-2	3	Z1032	DA63-06122A	COVER RELAY; MSV,MPPO,T2.0,5V-A,BLACK,M-H	SA	1
14-3	3	A0564	DA60-20008A	BOLT-HEX; M6,L42.6(28.1),ZPC(SILVER), D9.	SA	4
14-4	3	Z1112	DA63-02617A	GROMMET COMP; USP05,EPDM,OD27.0,BLACK	SA	4
15	2		DA62-04325A	PIPE CONNECT; 3050,Cu,C1220T,OD6.35,T0.6	SA	1
16	2	A0669	DA62-04309B	DRYER; Cu,137,SINGLE MOUTH,9g	SA	1
17	2	A0515	DA97-11482A	ASSY HINGE LOW; GRAND CRU	SA	1
17-1	3	A0247	DA61-07365B	HINGE-LOW; GRAND CRU,SHP1,T3.0,W63.3,L105	SA	1
17-2	3	A0518	DA66-00385A	SHAFT-HINGE; CORE,SWRCH10A,NATURAL,ZPC3(W	SA	1
17-3	3	A0516	DA61-07383A	GUIDE-AUTO CLOSE; GRAND CRU,PA66,NTR	SA	1
17-4	3	A0848	DA81-01532A	SCREW-MACHINE; CH,+,M5,L12.7,ZPC(WHT),SWR	SA	1
18	2	G0213	DA63-06391A	COVER-WIRE HINGE R; GRAND CRU,PP,HB,COOL	SA	1
19	2	G0214	DA63-06392A	COVER-WIRE HINGE L; GRAND CRU,PP,HB,COOL	SA	1
20	2		DA67-03053J	CAP CABI-SIDE RIGHT; GRAND CRU,ABS,HG-076	SNA	1
21	2		DA67-03054J	CAP CABI-SIDE LEFT; GRAND CRU,ABS,HG-0760	SNA	1
22	2	G0504	DA63-06795A	COVER LAMP-LED SIDE L; GRAND-CRU,GPPS,HB,	SA	1
23	2	A0273	3903-000794	CBF-POWER CORD; AT,E.U,EU3F,3C,250V,16A,B	SA	1
24	2	G0216	DA63-06394B	COVER HINGE-B; GRAND CRU,HIPS,HB,COOL WHI	SA	1
25	2	A0562	DA39-20389L	ASSY WIRE HARNESS-EARTH; ALL,FREE VOLT,UL	SA	1
26	2	M0203	DA62-02982C	PIPE-CONNECT DISC A; C1220T-1/2H,OD6.35,L	SA	1
27	3	G0285	DA62-00017A	TUBE-DRAIN FRE-ASSY; PP,-,-,-,SR-32,35,	SA	1
27-1	4	G0202	DA63-00246B	GROMMET-DRAIN HOSE; CORE-PJT,NBR,-,-,-,-,	SA	1
28	2	A0004	DA97-11576T	ASSY CABI FRAME; GRAND CRU_60,SECC1,T0.45	SNA	1
28-1	3	G0449	DA61-07340A	REINF-BOTT FRONT L; GRANDCRU,PO-SPHC,T1.5	SA	1
28-2	3	G0450	DA61-07341A	REINF-BOTT FRONT R; GRANDCRU,PO-SPHC,T1.5	SA	1

No.	Lvl.	Loc.	Material Code	Description & Specification	SNA	Qty.
29	2	A0549	DA67-02655D	CAP-HINGE HOLE; GRAND CRU,ABS,T0.8,HB,HG-	SA	1
30	2	G0212	DA63-06384C	COVER-CABI HIGH; GRAND CRU,HIPS,T2.0,42,3	SA	1
31	2	M0309	DA92-00228A	ASSY PCB INVERTER; INVERTER,Grand Cru A++	SA	1
32	2	M0116	DA97-15301A	ASSY SUPPORT-CIRCUIT MOTOR; GRAN CRU,4 BL	SA	1
32-1	3	A0218	DA63-04118A	GROMMET-MOTOR; GUGGENHEIM,SI,ID8,OD18,WHI	SA	3
32-2	3		DA31-00278B	MOTOR BLDC FAN; G1538S12D1-SC-TTL-EM,1230	SA	1
33	2	G0270	DA97-12330B	ASSY PIPE-CONDENSER; GRAND CRU,SPIRAL, AL	SA	1
33-1	3	M0181	DA63-40128A	GROMMET-SUB COND; -,NBR,-,-,-,-,-,DARK-	SA	2
34	2	M0296	DA64-02605C	TRIM-BLADE; GRAND CRU,PVC,SHGS-L130-67-01	SA	2
35	2	M0398	DA97-11302A	ASSY COVER-COMP; GRAND CRU,SGCC,T0.3,ASSY	SA	1
35-1	3	G0091	DA63-06326A	COVER-COMP; GRAND_CRU,GI-SGCC,T0.3/335g	SA	1
36	2	G0505	DA63-06796A	COVER LAMP-LED SIDE R; GRAND-CRU,GPPS,HB,	SA	1
37	2		DA60-00280A	FITTING-LOKRING 33; SUM23,33	SA	1
38	2		DA60-00281A	FITTING-LOKRING 43; GRAND/SAM/HERMES,11SM	SA	1
39	2		DA60-00279A	FITTING-LOKRING 16; GRAND/SAM/HERMES,11SM	SA	1
40	2	G0404	DA61-08048A	FIXER SPACER; GRAND CRU,HIPS,T2,COOL WHIT	SA	2
41	2		DA72-60040W	SEAL-CUTT RUBBER; TD-PJT,BUTYL RUBBER,BLA	SA	2

# 3. Freezer Fridge

## Exploded View





## Parts List

No.	Lvl.	Loc.	Material Code	Description & Specification	SNA	Qty.
1	2	A0186	DA97-11387C	ASSY SHELF-REF; GRAN CRU,BEST TRIM from 3	SA	3
1-1	3		DA64-04407A	TRIM SHELF-FRONT; RT320,HIPS,HIPS+SOFT UR	SA	3
2	2	G0268	DA97-11399A	ASSY TRAY-FRE MID; GRAN CRU,W475.2,L382.5	SA	1
2-1	3	G0298	DA97-11987A	ASSY COVER-TRAY FRE MID; GRAND CRU,HOT ST	SA	1
2-1-1	4	G0080	DA63-06328A	COVER TRAY-FRE MIDDLE; GRAND-CRU,GPPS,HB,	SA	1
2-2	3	G0261	DA61-07305A	CASE TRAY-FRE MIDDLE; GRAND-CRU,PP,COOL W	SA	1
3	2	G0267	DA97-11398A	ASSY TRAY-FRE LOW; GRAN CRU,W475.2,L285.6	SA	1
3-1	3	G0297	DA97-11988A	ASSY COVER-TRAY FRE LOW; GRAND CRU,HOT ST	SA	1
3-1-1	4	G0085	DA63-06334A	COVER TRAY-FRE LOW; GRAND-CRU,GPPS,HB,165	SA	1
3-2	3	G0260	DA61-07306A	CASE-TRAY FRE LOW; GRAND-CRU,PP,COOL WHIT	SA	1
4	2	G0239	DA97-11361A	ASSY COVER MULTI-REF; GRAND CRU,RL60, CON	SA	1
4-1	3	A0689	DA63-06338A	COVER MULTI-REF; GRAND CRU(RL60),PP,HB,CO	SA	1
4-2	3	A1018	DA32-00011W	SENSOR TEMP; PX-41C,MT-PJT,-40~1105V,	SA	1
4-3	3	G0242	DA31-00043F	MOTOR DC-DAMPER; -,CORE-PJT,Max 60mA,-,-,	SA	1
5	2	M0416	DA97-11338A	ASSY COVER-EVAP FRE; GRAND CRU	SA	1
5-1	3	G0233	DA61-07361A	PLATE-EVAP COVER REAR; GRAND CRU,GL-SAZCC	SA	1
5-2	3	G0074	DA97-11334A	ASSY COVER-EVAP REAR; GRAND CRU	SC	1
5-2-1	4		DA31-00287B	MOTOR BLDC FAN; ARES2120RA,1870 4%,12V,M	SA	1
5-2-2	4	A1018	DA32-00033E	SENSOR TEMP; 502AT,DKST1329GW,MAX4,-40~11	SA	1
5-2-3	4	G0236	DA63-06375A	COVER EVAP-REAR; GRAND CRU,PP,T1.5,HB,BLA	SA	1
5-3	4	A0665	DA63-06360B	COVER EVAP-FRONT; GRAND CRU,PP,HB,NATURAL	SNA	1
6	2	A0205	DA97-11575A	ASSY CASE VEG-HIGH; GRAND CRU	SA	1
6-1	3	G0295	DA97-11984A	ASSY COVER-FRESHROOM FRONT; GRAND CRU,HOT	SA	1
6-1-1	4	G0083	DA63-06341A	COVER-FRESHROOM FRONT; GRAND-CRU,GPPS,HB,	SA	1
7	2	G0079	DA97-11530A	ASSY SHELF-FRE UPP; GRAN CRU,ASSY	SNA	1

Exploded Views and Parts List

No.	Lvl.	Loc.	Material Code	Description & Specification	SNA	Qty.
7-1	3	G0254	DA67-03048A	SHELF-FRE UPP; GRAND CRU,HIPS,COOL WHITE,	SA	1
7-2	3	A0107	DA97-11481A	ASSY TRAY-ICE; GRAN CRU,W198.8,L69,ASSY	SA	1
7-2-1	4	A0120	DA63-06368A	TRAY ICE; GRAND CRU,PP,HB,COOL WHITE	SNA	2
7-2-2	4	A0718	DA61-07379A	CASE-TRAY ICE; GRAND CRU,PP,COOL WHITE,EP	SNA	1
7-3	3	G0255	DA97-11497A	ASSY CASE-MINI BASKET; GRAN CRU,ASSY, BES	SA	1
7-3-1	4	G0256	DA61-07713A	CASE-MINI BASKET; GRAND CRU,PP,COOL WHITE	SA	1
7-3-2	4	G0299	DA97-11985A	ASSY COVER-MINI BASKET; GRAND CRU,HOT STA	SA	1
7-3-2-1	5	G0257	DA63-06388A	COVER MINI BASKET; GRAND-CRU,GPPS,HB,165N	SA	1
7-4	3	A0716	DA63-06386A	TRAY ICE-CUBE; GRAND-CRU,GPPS,-,HB,TP BLU	SA	1
8	2	G0072	DA97-11325A	ASSY-CONVERTIBLE; GRAND CRU	SA	1
8-1	4	G0242	DA31-00071D	MOTOR DC-DAMPER; DC 12V,MAX 60mA	SA	1
8-2	3	G0075	DA97-11359A	ASSY TRAY-CONVERTIBLE; GRAND CRU	SC	1
8-2-1	4	G0084	DA63-06340A	COVER TRAY-CONVERTIBLE; GRAND-CRU,GPPS,HB	SA	1
8-2-2	4	G0294	DA97-11989A	ASSY TRIM-TRAY CONVERTIBLE; GRAND CRU,HOT	SA	1
8-2-2-1	5	G0243	DA64-03863A	TRIM-TRAY CONVERTIBLE; GRAND CRU-PJT,ABS,	SA	1
8-3	3	G0077	DA97-11360A	ASSY CASE-CONVERTIBLE; GRAND CRU	SC	1
8-3-1	4	G0244	DA61-07318A	CASE-CONVERTIBLE A; GRAND CRU-PJT,PP,COOL	SA	1
8-3-2	4	G0245	DA61-07319A	CASE-CONVERTIBLE B; GRAND CRU-PJT,PP,NATU	SA	1
8-3-3	4	G0246	DA61-07320A	CASE CONVERTIBLE-C; GRAND CRU,HIPS,COOL W	SA	1
8-3-4	4	G0247	DA62-03129A	INSULATION-CONV LOW; GRAND CRU,PS FOAM,NT	SA	1
8-3-5	4	G0248	DA62-03130A	INSULATION-CONV HIGH; GRAND CRU,PS FOAM,N	SA	1
8-3-6	4	G0086	DA63-06401A	GASKET-CONVERTIBLE; GRAND CRU,SF-PVC,SC-9	SA	1
8-3-7	4	G0249	DA66-00151A	ROLLER-FRONT; A-TOP,POM, 16,-,WHT,-,CONV	SA	2
8-3-8	4	A1018	DA32-10104G	SENSOR TEMP; 502AT,SR-S6755,-10~35,5V,100	SC	1
9	2	G0076	DA75-00244D	RACK-WINE; GRAND CRU,MSWR70,OD6.0,W505.5,	SA	1
10	2	G0200	DA61-01797A	FIXER GROMMET-DOOR; T3-PJT,PP,T2.5,COOL W	SA	3

No.	Lvl.	Loc.	Material Code	Description & Specification	SNA	Qty.
11	2	M0121	DA97-11397A	ASSY TRAY-FRE UPP; GRAN CRU,W475.7,L381.4	SA	1
11-1	3	G0296	DA97-11986A	ASSY COVER-TRAY FRE UPP; GRAND CRU,HOT ST	SA	1
11-1-1	4	G0087	DA63-06327A	COVER TRAY-FRE UP; GRAND-CRU,GPPS,HB,165N	SA	1