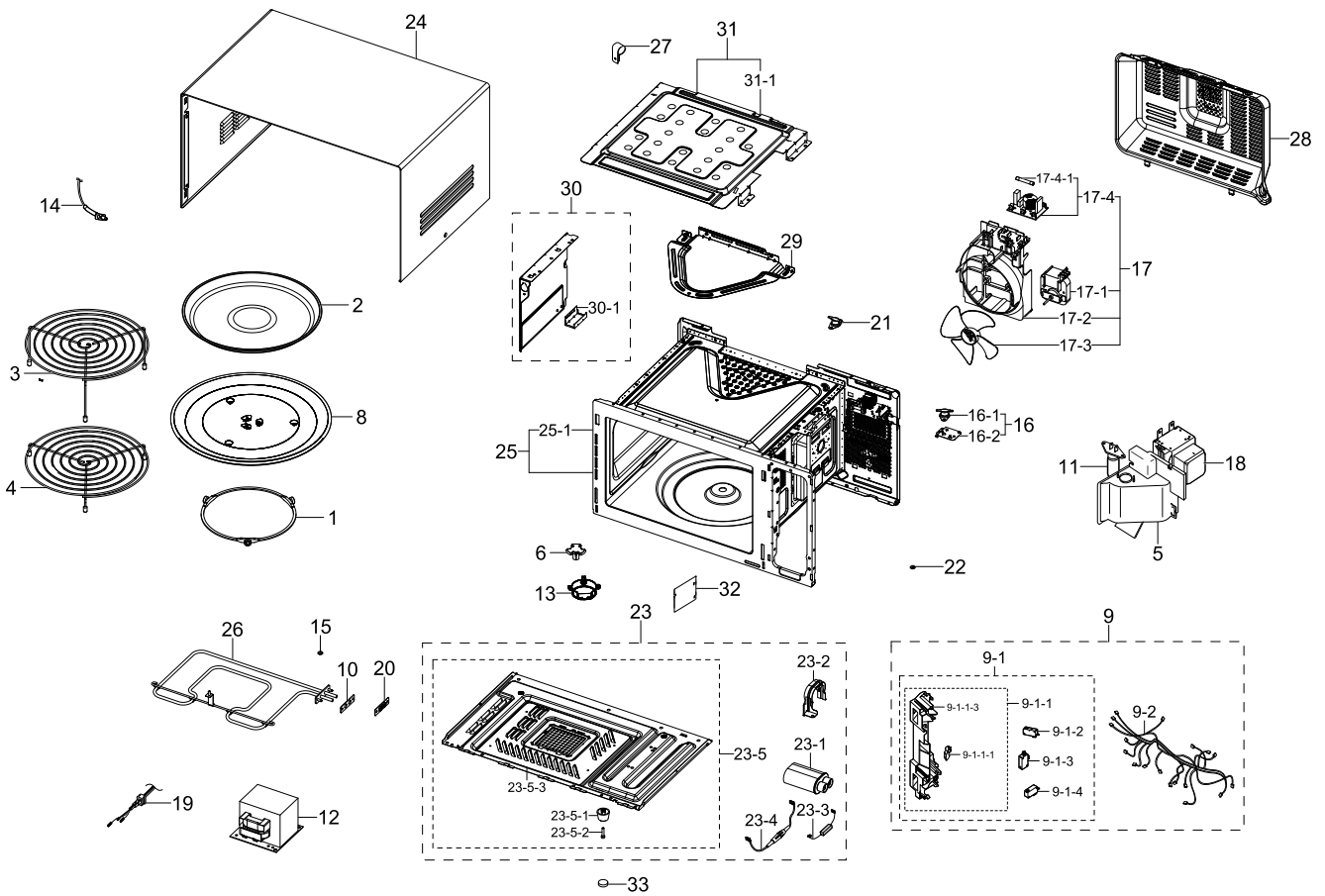


# 1. MC28M6055CS/EC

## Exploded View



## Parts List

No.	Lvl.	Loc.	Material Code	Description & Specification	SNA	Qty.
1	2	T150	DE92-90189S	ASSY GUIDE ROLLER; JES831,SPS(C832-V0),-,	SA	1
2	2	T133	DE92-90534B	ASSY-TRAY BROILER; CE118KF,AL3004,1.0T	SA	1
3	2	T010	DE97-00136A	ASSY WIRE RACK; CK95,-,-,-	SA	1
4	2	T009	DE97-00136B	ASSY WIRE RACK; CK95,-,-,LOW-RACK	SA	1
5	2	M037	DE63-00616A	COVER AIR; CE107V/XEN,PP,HB	SA	1
6	2	M034	DE67-60081A	COUPLER; 3RD-1.0/1.3,PPS,BROWN	SA	1
8	2	T001	DE74-20015G	TRAY COOKING; 3RD-1.0,GLASS,T6,PI316,1115	SA	1
9	2		DE94-03468C	ASSY HOLDER-WIRE; MC28M6055CK/EN	SNA	1
9-1	3	B022	DE94-03224C	ASSY BODY LATCH; MC28M6055CK/EN	SA	1
9-1-1	4	B024	DE94-03952A	ASSY BODY LATCH SUB; MC28M6055CK/EN	SNA	1
9-1-1-1	5	B010	DE66-00093B	LEVER SWITCH-A; PG113R,PA66,KN3322VO,BLAC	SA	1
9-1-1-3	5		DE72-00137H	LATCH BODY; MC28M6055CK/EN,PA66,BLACK,MW6	SNA	1

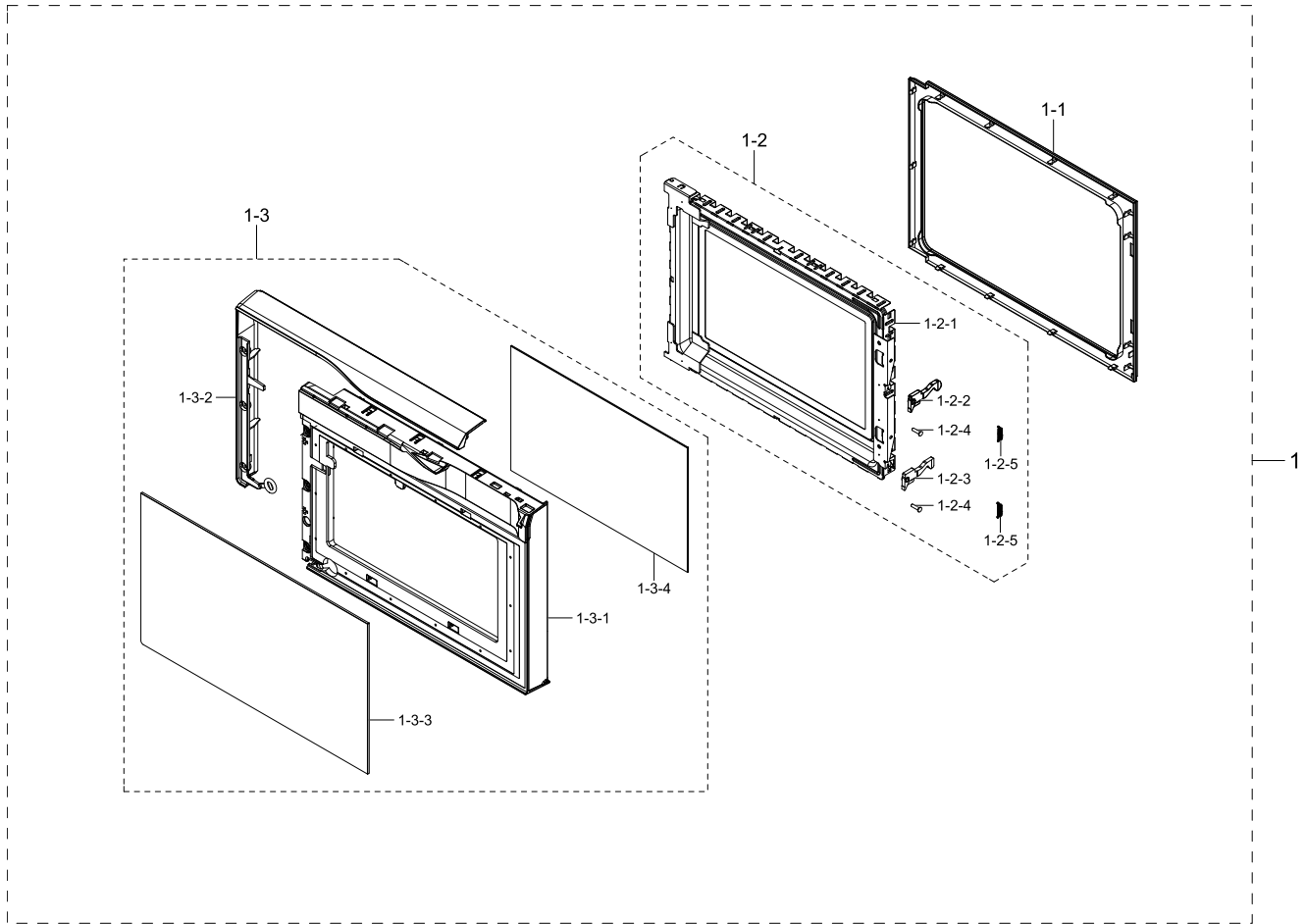
Exploded Views and Parts List

No.	Lvl.	Loc.	Material Code	Description & Specification	SNA	Qty.
9-1-2	4	B046	3405-001032	SWITCH-MICRO; 125/250VAC,16A,200gf,SPDT,T	SA	1
9-1-3	4	B048	3405-001034	SWITCH-MICRO; 125/250VAC,16A,200gf,SPST-N	SA	1
9-1-4	4	S0021	3405-001116	SWITCH-MICRO; 125/250VAC,1A,200gf,SPST-NO	SA	1
9-2	3		DE96-00937E	ASSY WIRE HARNESS-MAIN; MC28M6055CK/EC,23	SA	1
10	2	M008	DE63-00049A	GASKET-HEATER; CE2613N,BRASS,T1,W53,L15	SA	1
11	2	M036	4713-001524	LAMP-INCANDESCENT; 22x53,BK,20,230,CLEAR,	SA	1
12	2	M038	DE26-00152A	TRANS H.V; SHV-EPT10A,230V,2385V/3.45V,AL	SA	1
13	2	M495	DE31-10170B	MOTOR AC DRIVE; SM16FHK36P1AW3,8Pole,220V	SA	1
14	2	M054	DE32-10013C	SENSOR-THERMISTOR;PTM-K312-S21,-20°C - 31	SA	1
15	2	H024	DE60-30016A	NUT FLANGE; MSWR-SWRM,MSWR10	SNA	3
16	2		DE96-00912C	ASSY THERMOSTAT; GE614ST/ZAM,(1.3CU.FT/1.	SA	1
16-1	3	M436	DE47-20009A	THERMOSTAT; AC125/250V,15/10A,150C,60C,No	SA	1
16-2	3	H012	DE61-01371A	BRACKET-TCO; SMH9151B/XAA,EGI-SECC	SA	1
17	2	M020	DE96-01099A	ASSY MOTOR FAN; CE1071AR,SMF-3RDEA1,230V,	SNA	1
17-1	3	M023	DE31-10185A	MOTOR AC FAN; SMF-3RDEA1,2,230V,50Hz,20W,	SA	1
17-2	3	M022	DE61-10006A	COVER BLOWER; PP,PP(TB53),3RD-W(1.3)	SNA	1
17-3	3	H096	DE31-90051A	BLADE-FAN; CE10**,PP,NATURAL,MT44	SA	1
17-4	3	M017	DE96-00399A	ASSY NOISE FILTER; SN-UF11A,250V/15A,250V	SA	1
17-4-1	4	M019	3601-001197	FUSE-CARTRIDGE; 250V,15A,SLOW-BLOW,CERAMI	SA	1
18	2	M035	OM75P(31)ESGN	ASSY-MGT; ASSY-MGT		1
19	2	M015	DE96-00385A	POWER CORD-AT; H05VV-F 3x1.5mm2,GRY,EU3S,	SA	1
20	2	M094	DE63-00048A	GASKET-STOPPER; CE2613N,EGI-SECC,T1,W53,L	SA	1
21	2	M448	DE47-20017B	THERMOSTAT; AC125/250V,15/10A,150C,140C,N	SA	1
22	2	H024	DE60-30016A	NUT FLANGE; MSWR-SWRM,MSWR10	SNA	1
23	2	M155	DE96-00637P	ASSY BASE PLATE; MC287TCTCSQ	SNA	1
23-1	3	M039	2501-001015	C-OIL HIGH VOLTAGE; 1000nF,2100V,BK,34x54	SA	1
23-2	3	M040	DE61-50106A	BRACKET-HVC; EGI-SECC,T0.8,-	SA	1

No.	Lvl.	Loc.	Material Code	Description & Specification	SNA	Qty.
23-3	3	M527	DE59-00002A	DIODE-H.V; MWO,2CL4512H/CL04-12A,500mA,12	SA	1
23-4	3	M042	DE91-70061A	ASSY H.V.FUSE; THV060T,5KV,800,SCREW,WHT,	SA	1
23-5	3	M045	DE96-00295M	ASSY BASE PLATE SUB; 5TH/1.0 CONVECTION,-	SNA	1
23-5-1	4	M047	DE61-40065A	FOOT; -,PP,T2x22x17mm,BLK,-,-,-	SA	4
23-5-2	4	M046	DE60-60025A	PIN-FOOT; MC28H5013AK/BW,PP,NATURAL	SA	4
23-5-3	4	M048	DE61-00557M	BASE PLATE; 5TH/1.0 CONVECTION,GI-SGCC,T0	SA	1
24	2	M001	DE64-01161Z	PANEL OUTER; MC28H5015AS/EN,EGI-SECC,T0.6	SA	1
25	1	P141	DE94-03133D	ASSY CAVITY-COATING; MC28M6055CK/EN,28L	SNA	1
25-1	2	Z778	DE94-03134D	ASSY CAVITY-WELDING; MC28M6055CK/EN,28L	SNA	1
26	2	H071	DE47-00063A	HEATER SHEATH-GRILL; AC230V,1500W,SUS309S	SA	1
27	2	M483	DE65-20014A	CABLE CLAMP; NY-66,DA-6N	SNA	1
28	2	P186	DE63-00835A	COVER BACK; MW7000K,GI-SGCC,T0.5	SA	1
29	2		DE63-00837A	COVER CASING-UP; MW7000K,ALCOAT-SA1C,T0.5	SNA	1
30	2	M053	DE94-03571F	ASSY GUIDE AIR; 1.0 GRL NON SENSOR,EGI-SE	SNA	1
30-1	3		DE61-01738A	BRACKET GUIDE; MWO,EGI-SECC,T0.4,W23.8,L5	SA	1
31	2	P214	DE94-03975A	ASSY BRACKET UPPER; MC28M6055CK,HOT BLAST	SNA	1
31-1	3		DE61-01612A	BRACKET-UP; MW6000M,EGI-SECC,T0.4	SA	1
32	2	M051	DE63-00237A	COVER-CEILING; CE297DN-5,MICA SHEET,T0.3,	SA	1
33	2	Z785	DE61-00304A	FOOT RUBBER; DE6612N,RUBBER,BLACK,T3,0.6/	SA	1

## 2. Assy Door

### Exploded View



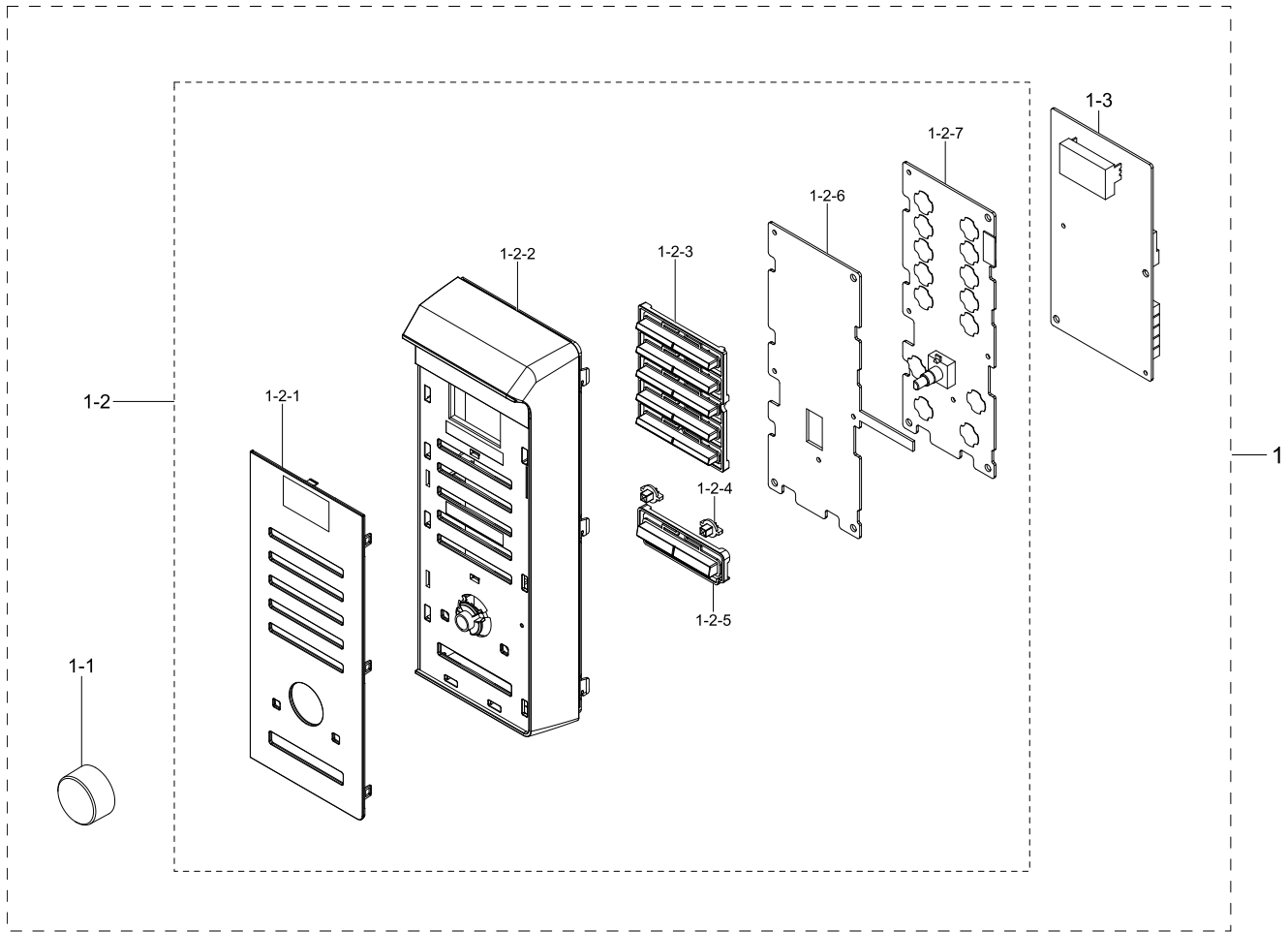
### Parts List

No.	Lvl.	Loc.	Material Code	Description & Specification	SNA	Qty.
1	1	D049	DE94-03972C	ASSY DOOR; MC28M6055CS,SILVER	SA	1
1-1	2	D006	DE64-02267A	DOOR C; CE107V/XEN,PBT,HB,K21249,BLACK	SA	1
1-2	2		DE94-03967A	ASSY DOOR E SUB; MC28M6055CK/EN	SNA	1
1-2-1	3	D004	DE94-03968A	ASSY DOOR E; MC28M6055CK/EN,BLACK,SEALANT	SNA	1
1-2-2	3	D012	DE64-01353A	KEY DOOR-UP; SCOUT,PA66,-,BLACK,UPPER	SA	1
1-2-3	3	D014	DE64-01352A	KEY DOOR-BOTTOM; SCOUT,PA66,-,BLACK,LOWER	SA	1
1-2-4	3	D017	DE60-60008A	PIN HINGE; MSW,MSW10,MSW	SNA	2
1-2-5	3	D007	DE61-01406A	SPRING ETC-KEY; SWP,0.7,4.6,6,17	SNA	2
1-3	2	D037	DE94-03973C	ASSY DOOR A; MC28M6055CS,PC,SILVER	SNA	1
1-3-1	3	D002	DE64-02963C	DOOR A; MC28M6075CS,PC,HB,141R,GE BLACK,N	SNA	1

No.	Lvl.	Loc.	Material Code	Description & Specification	SNA	Qty.
1-3-2	3		DE64-02964C	HANDLE SUB; MC28M6075CS,PC,141R,HB,GE BLA	SNA	1
1-3-3	3		DE64-02973A	SCREEN DOOR-B; MC28M6055CK/EN,GLASS,T3.2,	SNA	1
1-3-4	3		DE64-02974A	SCREEN DOOR-C; MC28M6055CK/EN,GLASS,T2,MW	SNA	1

### 3. Assy Control Box

**Exploded View**



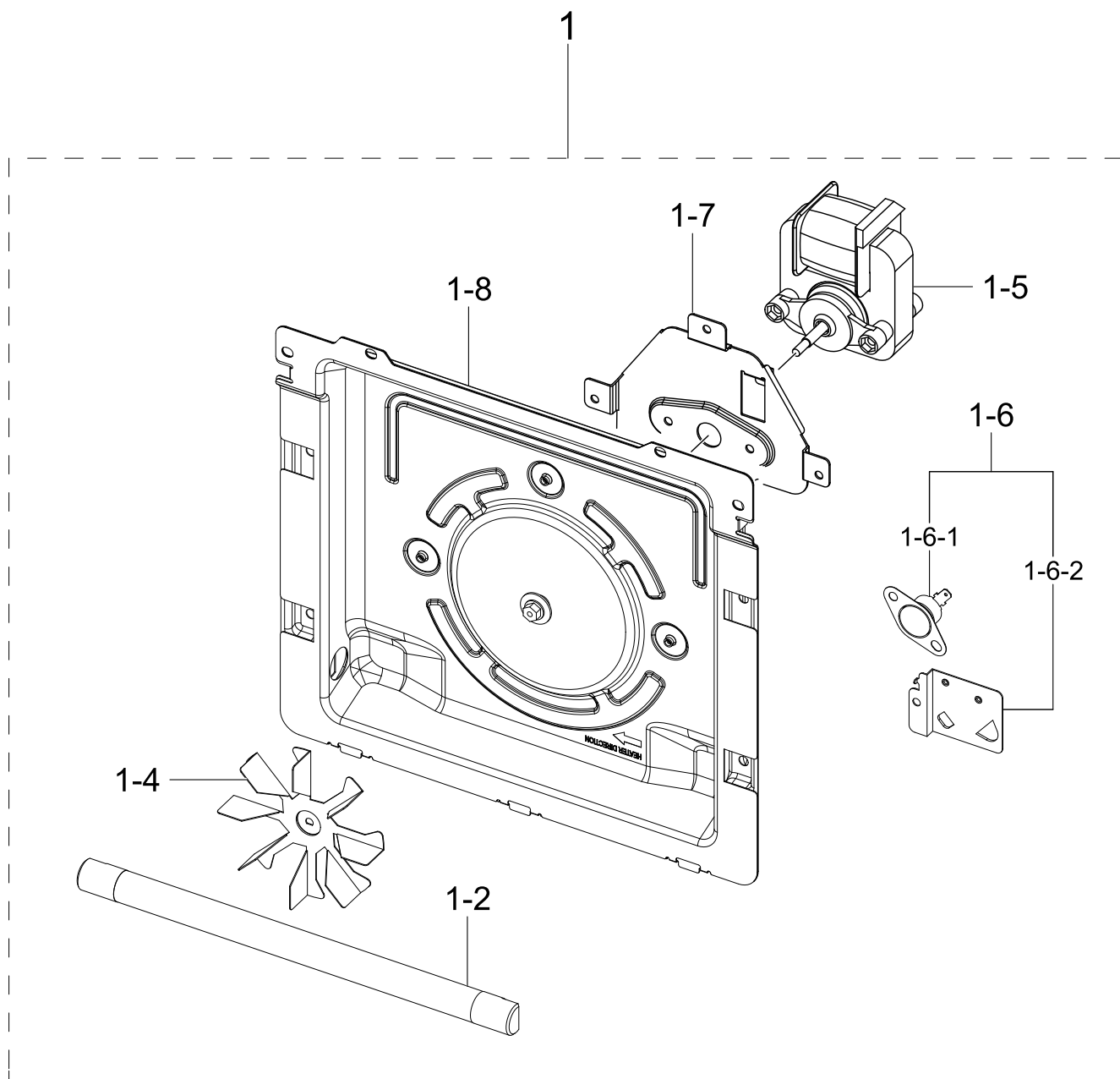
**Parts List**

No.	Lvl.	Loc.	Material Code	Description & Specification	SNA	Qty.
1	1	C082	DE94-03971C	ASSY CONTROL BOX; MC28M6055CS,SILVER	SNA	1
1-1	2		DE94-03317D	ASSY KNOB; MC32K7055CK/BW,ABS,METALIZING	SA	1
1-2	2	C001	DE94-03970C	ASSY CONTROL PANEL; MC28M6055CS,SILVER	SA	1
1-2-1	3		DE63-00854A	COVER PANEL; MW6000M,SAN,HB,BLACK SMOG	SNA	1
1-2-2	3		DE64-02965C	PANEL CONTROL; MC28M6055CS,PC,W-,L-,HB,14	SNA	1
1-2-3	3		DE64-02690B	BUTTON SELECT-A; MC32F606T(1.1CELLO),ABS,	SA	1
1-2-4	3	C035	DE64-02709A	BUTTON-CLOCK; MC32F604T,ABS,HB,GE BLACK	SA	2
1-2-5	3		DE64-02691B	BUTTON SELECT-B; MC32F606T(1.1CELLO),ABS,	SA	1

No.	Lvl.	Loc.	Material Code	Description & Specification	SNA	Qty.
1-2-6	3	C107	DE01-00290A	FILM BOARD; A1,T0.1,W80,L192.5,1.0 CHIC2	SNA	1
1-2-7	3	C084	DE96-01040A	ASSY KEY MODULE; MC28H514TAK/EU,DKM-CHIC2	SA	1
1-3	2		DE94-03976A	ASSY PCB EEPROM; EEP_01,DE92-03730R,MW600	SA	1

# 4. Assy Casing

## Exploded View





**Parts List**

No.	Lvl.	Loc.	Material Code	Description & Specification	SNA	Qty.
1	2	H067	DE94-03569A	ASSY CASING; MC32K7055CT/ET,HOT BLAST,MW7	SA	1
1-2	3	M295	DE47-00048A	HEATER QUARTZ-CONVECTION; AC230V,600W,QUA	SA	1
1-4	3	H098	DE31-00060A	BLADE-FAN; 1.0value convec,ALCOAT-SA1C,T0	SA	1
1-5	3	H001	DE31-00049C	MOTOR AC CONVECTION; TRIO,SMC-E7103B,2,23	SA	1
1-6	3		DE96-00912C	ASSY THERMOSTAT; GE614ST/ZAM,(1.3CU.FT/1.	SA	1
1-6-1	4	M436	DE47-20009A	THERMOSTAT; AC125/250V,15/10A,150C,60C,No	SA	1
1-6-2	4	H012	DE61-01371A	BRACKET-TCO; SMH9151B/XAA,EGI-SECC	SA	1
1-7	3	P082	DE61-00956A	BRACKET MOTOR; CE1071AR/BWT,EGI-SECC,T1,W	SA	1
1-8	3		DE61-01588A	BRACKET CASING; MW7000K,ALCOAT-SA1C,T0.5	SA	1