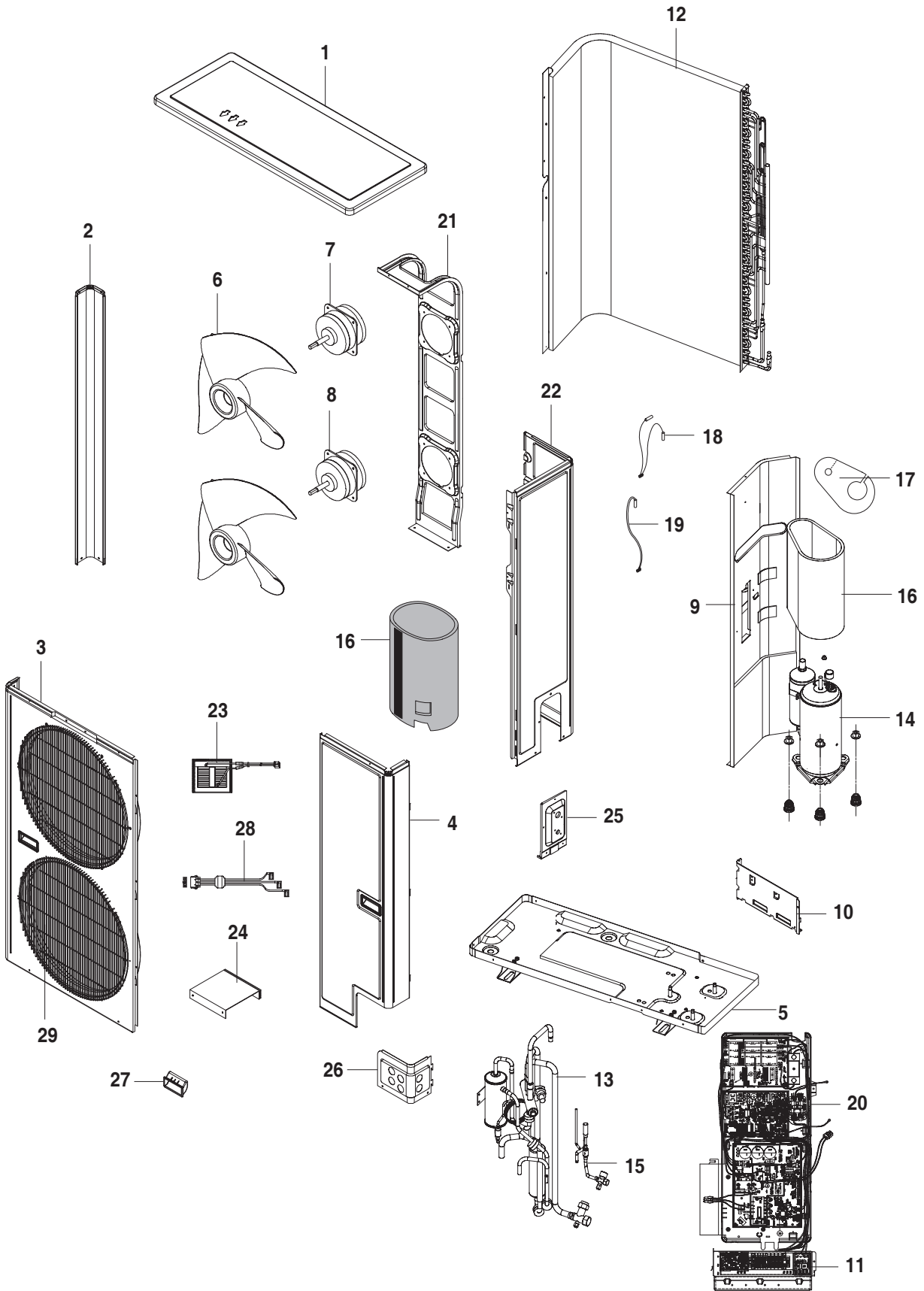


5-3 Outdoor Unit

■ UH090/105/140EAV



■ Parts List

No.	Code No.	Description	SPEC	QTY				SA/ SNA
				UH090EAV	UH105EAV	UH105EAS	UH140EAV	
1	DB90-01533B	ASSY-CABI TOP COVER	SECC-P,0,8T	1	1	1	1	SA
2	DB90-01588A	ASSY CABI BACK LF	SECC-P,1,2T	1	1	1	1	SA
3	DB90-01535B	ASSY-CABI FRONT LF	SECC-P,0,8T	1	1	1	1	SA
4	DB90-01534C	ASSY CABI FRONT RH	SECC-P,0,8T	1	1	1	1	SA
5	DB99-00538E	ASSY-CABI BASE PART	SGCC-M,T1.6	1	1	1	1	SNA
6	DB67-00438B	FAN-PROPELLER	ABS+GF10%	2	2	2	2	SNA
7	DB31-00386H	MOTOR FAN	DL-95835SSOA	1	1	1	1	SNA
8	DB31-00386J	MOTOR FAN	DL-95835SSOB	1	1	1	1	SNA
9	DB90-03986A	ASSY-PRATITION	SGCC-M,T0.8	1	1	1	1	SA
10	DB61-03566A	PLATE-CONTROL UP	SGCC-M,T1.0	1	1	1	1	SA
11	DB93-06548A	ASSY-PLATE CONTROL LOW	SGCC-M,T1.0	1	1	1	1	SA
12	DB96-09606A	ASSY COND UNIT	2x52,SLIT,SLICA,FP1.5	-	-	-	1	SNA
	DB96-09416A	ASSY COND UNIT	2x52,SLIT,FP1.5	1	1	1	-	SNA
13	DB96-09433A	ASSY-4WAY VALVE	HP,3/8,3/4,G5T450FUAEX	-	-	-	1	SNA
	DB96-09402A	ASSY-4WAY VALVE	HP,3/8,5/8,G5T360FUAEK	1	1	1	-	SNA
14	G5T450FUAEX	COMPRESSOR	G5T450FUAEX	-	-	-	1	SNA
	G5T360FUAEK	COMPRESSOR	G5T360FUAEK	1	1	1	-	SNA
15	DB96-09431A	ASSY-EEV VALVE	ASSY	-	-	-	1	SA
	DB96-09431B	ASSY-EEV VALVE	ASSY	1	1	1	-	SA
16	DB63-02008A	FELT-COMP SOUND	GRAY FELT+EVAR	1	1	1	1	SA
17	DB63-02007A	FELT-TOP COVER	GRAY FELT+EVAR	1	1	1	1	SA
18	DB95-01419A	ASSY THEMISTOR-OLP/COND	ASSY	1	1	1	1	SA
19	DB95-01420A	ASSY THEMISTOR-AIR/DISCHARGE	ASSY	1	1	1	1	SA
20	DB93-05841A	ASSY CONTROL OUT	UH140EAV	-	-	-	1	SA
	DB93-05841B	ASSY CONTROL OUT	UH105EAV	-	1	1	-	SA
	DB93-05841C	ASSY CONTROL OUT	UH090EAV	1	-	-	-	SA
21	DB94-01767A	ASSY BRACKET MOTOR	SGCC-M,T1.6	1	1	1	1	SNA
22	DB90-01637C	ASSY CABI BACK RH	SECC-P,0,8T	1	1	1	1	SA
23	DB27-00056A	ASSY REACTOR	ASSY	1	1	1	1	SA
24	DB90-02583A	ASSY-MOTOR BRACKET SUB	SGCC-M,T1.2	-	-	-	1	SNA
	DB90-02583B	ASSY-MOTOR BRACKET SUB	SGCC-M,T1.2	1	1	1	-	SNA
25	DB97-02613A	ASSY BRACKET-VAVLE	SGCC-M,T1.6	1	1	1	1	SNA
26	DB61-01910A	BRACKET-WIRE	SECC-P,1,0T	1	1	1	1	SA
27	DB64-01231A	HANDLE	ABS,V0	3	3	3	3	SA
28	DB93-05954A	ASSY CONNECTOR WIRE-COMP	ASSY	1	1	1	1	SA
29	DB63-00691A	GUARD FAN	MSWR	2	2	2	2	SA