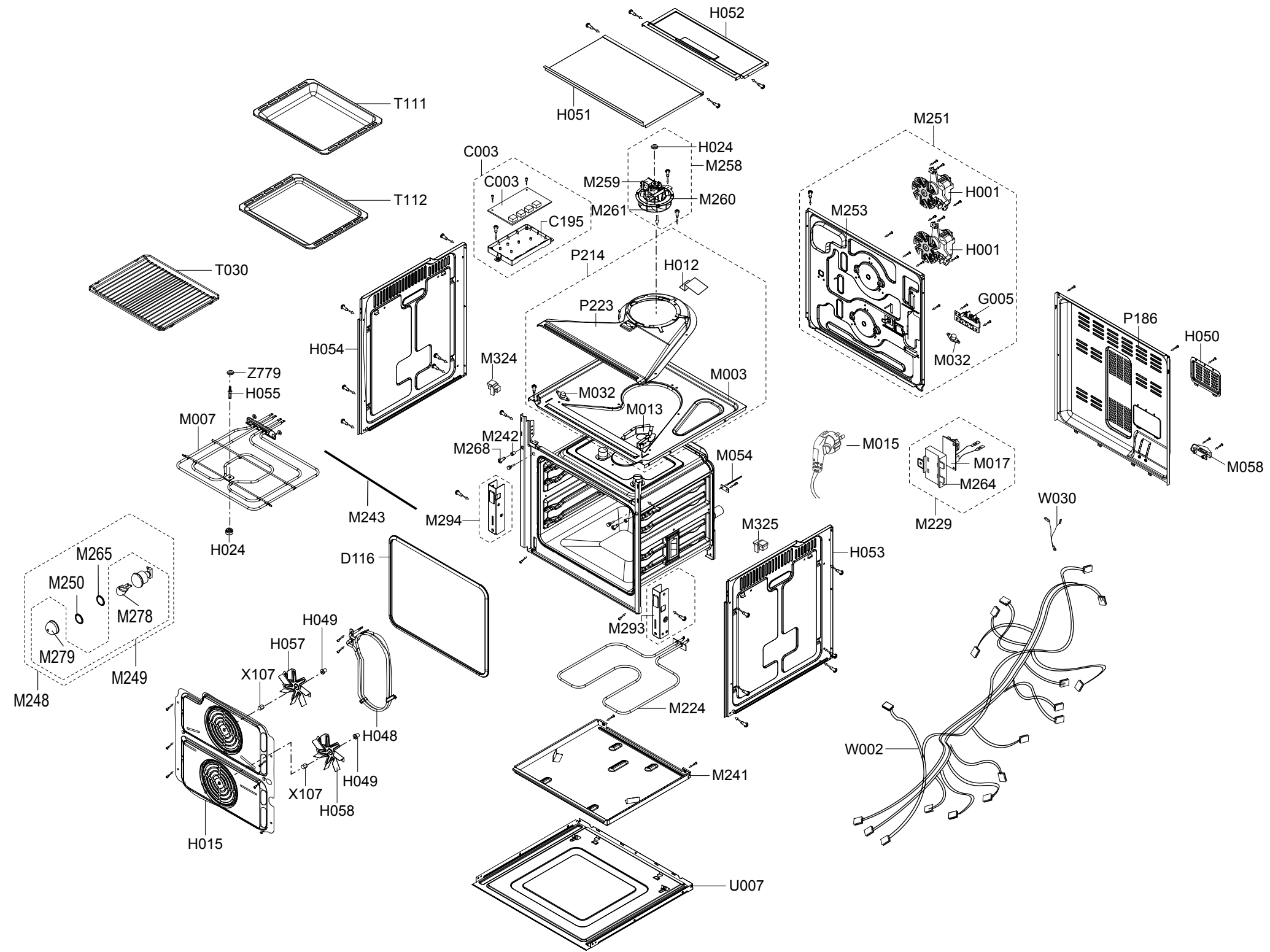


5. Exploded Views and Parts List (00 Version)

5-1 Exploded Views



5-2 Version List (00,01,Version)

(S.N.A : SERVICE NOT AVAILABLE)

No.	Code No.	Version	Description	Specification	Q'ty	SA/ SNA	Remark
C185	DG64-00055A	1	KNOB-DIAL SELECT	BF64CBST,PC,-,-,CLASS	1	SA	-
C190	DG64-00058A	1	KNOB-DIAL ENCODER	BF64CBST,PC,-,-,CLAS	1	SA	-
C195	DG61-00060B	1	HOLDER-PCB MAIN	24" all model,PA66+GF15	1	SA	-
C238	DG96-00022A	1	ASSY BRACKET PANEL	BF64CBSTR,GI,-,-	1	SA	-
G005	DG65-00002A	1	TERMINAL BLOCK	BT63BSST,PA66,-,-,6 sqmm,	1	SA	-
H001	DG31-00009A	1	MOTOR CONVECTION	SMC-620EA,BT63BSST,0.18	1	SA	-
H001	DG31-00009B	1	MOTOR CONVECTION	SMC-620EA-1,BT63BSST,0.	1	SA	-
H033	DG61-00248A	1	BRACKET-CONVECTION-MOTOR	BT62CDST,GI,T0.	1	SA	-
H033	DG61-00248A	1	BRACKET-CONVECTION-MOTOR	BT62CDST,GI,T0.	1	SA	-
M003	DG61-00191B	1	BRACKET-UPPER	BF62CBST(SINGLE),SGCD1(GA)	1	SNA	-
M013	DG61-00192A	1	BRACKET-AIR-GUIDE	BT62FQBPST,ALCOAT,T0.6	1	SA	-
M032	DG47-00010B	1	THERMOSTAT	NT-103NC,NT-103NC,250V 7.5A/1	1	SA	BKT-UPPER
M032	DG47-00010B	1	THERMOSTAT	NT-103NC,NT-103NC,250V 7.5A/1	1	SA	COVER-ADIABATIC REAR
M250	DG63-00098A	1	SHEET-RING BULB	BT62FQBPST,STS 304,T0.5,	1	SA	-
M253	DG96-00015A	1	ASSY COVER ADIABATIC-REAR	BT63BSST,-	1	SA	-
M258	DG96-00059A	1	ASSY MOTOR-COOLING	-,-,230V/50Hz,-,E-OVE	1	SA	COVER-FAN COOLING
M259	DG31-00008A	1	MOTOR FAN-COOLING	SMV-610EA,BT63BSST,0.1	1	SA	-
M260	DG61-00056A	1	SUPPORT-MOTOR COOLING	PA66+GF15%,BT63BSS	1	SA	-
M261	DG67-00017A	1	FAN-COOLING	BT62FQBPST,NYLON#66 GF15,-,-	1	SA	-
M264	DG61-00090B	1	HOLDER-NOISE FILTER	24" all model,PA66+	1	SA	-
M392	DG63-00086B	1	COVER-FAN-COOLING	BT62FQBPST,ALSTAR,T0.6	1	SA	-
P214	DG96-00037C	1	ASSY BRACKET UPPER	BF62CBSTR,-,-,NEW Bkt	1	SA	-

5-3 Main Parts List (Version 00)

(SNA : SERVICE NOT AVAILABLE)

No.	Code No.	Description	Specification	Q'ty	SA/ SNA	Remark
C003	DG97-00021F	ASSY PCB-MAIN	-,BF64CBSTR/BWT,-,-,-,HOLD	1	SA	HOLDER-PCB MAIN
C003	OCS-CMAIN-01	ASSY PCB PARTS	BF64CBSTR/BWT,230V50HZ	1	SA	HOLDER-PCB MAIN
C195	DG61-00060A	HOLDER-PCB MAIN	PA66+GF15%,BT63BSST,-,-,	1	SA	-
D116	DG97-00019A	ASSY GASKET DOOR	BT63BSST / BWT,-,-,SILI	1	SA	-
G005	DG65-00002A	TERMINAL BLOCK	BT63BSST,PA66,-,-,6 sqmm,	1	SA	-
H001	DG31-00002A	MOTOR CONVECTION	SMC-620EA,OVEN,-,50Hz,-	1	SA	COVER-ADIA- BATIC REAR
H001	DG31-00002B	MOTOR CONVECTION	SMC-620EA-1,OVEN,-,50Hz	1	SA	COVER-ADIA- BATIC REAR
H012	DE61-50490A	BRACKET-TCO	-,SECC1,T0.6,34,58,-,-	1	SNA	BRACKET-UP- PER
H015	DG63-00005A	COVER-CASING	BT63BSST,SPP,T0.8,W430,L410	1	SA	-
H024	DE60-30016A	NUT-FLANGE	M4,MSWR10,-,-,-,-,-,-	4	SNA	CAVITY- UPPER,GRILL- HEATER,STUD- GRILL
H024	DE60-30016A	NUT-FLANGE	M4,MSWR10,-,-,-,-,-,-	3	SNA	-
H048	DG47-00011A	HEATER-CONVECTION SINGLE	SHC-BF62E,BF62C	1	SA	-
H049	DG60-00001A	SPACER-FAN CONVECTION	BT63BSST,STKM11A,L	2	SA	-
H050	DG61-00031A	BRACKET-AS COVER	BT63BSST,GI,T0.6,W180,L	1	SA	COVER-BACK
H051	DG61-00052A	CASE-UPPER A	BT63BSST,GI,T0.5,W570.8,L36	1	SA	-
H052	DG61-00053A	CASE-UPPER B	BT63BSST,GI,T0.5,W567.6,L22	1	SA	-
H053	DG61-00054A	CASE-RIGHT	BT63BSST,SGCD1,T0.5,W600,L533	1	SA	-
H054	DG61-00055A	CASE-LEFT	BT63BSST,SGCD1,T0.5,W600,L533,	1	SA	-
H055	DG61-00073A	STUD-GRILL	BT63BSST,STS,-,-,L29,-,-	1	SA	CAVITY-UPPER
H057	DG67-00001B	FAN-CONVECTION UPPER	BT62FQBPST,ALCOAT,P	1	SA	LOWER-CON- VECTION
H058	DG67-00011B	FAN-CONVECTION LOWER	BT62FQBPST,ALCOAT,P	1	SA	UPPER-CON- VECTION
M003	DG61-00030B	BRACKET-UPPER	BF62CBST,GI,T0.6,W580,L530	1	SA	-
M007	DG47-00008A	HEATER-GRILL	SHG-BT63E,BT63BSST,SUS309,-	1	SA	-
M013	DG61-00192A	BRACKET-AIR-GUIDE	BT62FQBPST,ALCOAT,T0.6	1	SA	-
M015	DG96-00032A	ASSY POWER CORD	EL-211,GERMANY,250V/16A,	1	SA	-
M017	DG96-00021A	ASSY NOISE FILTER	-,SN-BF63,250V15A,E-OV	1	SA	-
M032	DG47-00010B	THERMOSTAT	NT-103NC,NT-103NC,125V/230V,1	1	SA	BKT-UPPER
M032	DG47-00010B	THERMOSTAT	NT-103NC,NT-103NC,125V/230V,1	1	SA	COVER-ADIA- BATIC REAR
M054	DG32-00001A	SENSOR-THERMISTOR	PM3M-K342-S1,E-OVEN,-,	1	SA	ASSY-CAVITY BACK
M058	6502-001100	CABLE CLAMP	PA268 RO,ID8,-,PA6,BLACK	1	SNA	COVER-BACK
M224	DG47-00007A	HEATER-BOTTOM	SHB-BT63E,E-OVEN,SUS309,12	1	SA	-
M229	DG96-00018A	ASSY HOLDER NOISE FILTER	BT63BSST,-	1	SNA	COVER-ADIA- BATIC REAR
M241	DG63-00007A	COVER-BOTTOM HEATER	BT63BSST,GI,T0.5,W43	1	SA	ASSY-CAVITY
M242	DG63-00034A	COVER-SCREW	BT63BSST,ABS(HR0760SR),-,-,-	2	SA	CAVITY-FRONT

5-3 Main Parts List (Continued)

(SNA : SERVICE NOT AVAILABLE)

No.	Code No.	Description	Specification	Q'ty	SA/ SNA	Remark
M243	DG70-00002A	STEEL WIRE	BT63BSST,STEEL,T1.0,L2000,-,-	2	SA	-
M248	DG97-00011A	ASSY LAMP BULB	BT63BSST / BWT,-,230V25W,	1	SNA	CAVITY-BACK
M249	DG97-00012A	ASSY LAMP BULB-SUB	BT63BSST / BWT,-,230V	1	SA	-
M250	DG63-00038B	SHEET-RING BULB	BT63BSSTR,MICA SHEET,T0.	1	SA	COVER-BULB LAMP
M251	DG97-00018B	ASSY COVER ADIABATIC-REAR	BF62CBST / BWT	1	SNA	-
M253	DG96-00015A	ASSY COVER ADIABATIC-REAR	BT63BSST,-	1	SA	-
M258	DG96-00005A	ASSY MOTOR-COOLING	BT63BSST / BWT,-,-,-,	1	SA	COVER-FAN COOLING
M259	DG31-00001A	MOTOR FAN-COOLING	SMV-610EA,OVEN-BI,-,50	1	SA	-
M260	DG61-00056A	SUPPORT-MOTOR COOLING	PA66+GF15%,BT63BSS	1	SA	-
M261	DG67-00017A	FAN-COOLING	BT62FQBPST,NYLON#66 GF15,-,-	1	SA	-
M264	DG61-00090A	HOLDER-NOISE FILTER	BT63ASST,PA66,-,-,-,	1	SA	-
M265	DG63-00029A	COVER-RING BULB	BT63BSST,STS 304,T0.5,W5	1	SA	COVER-BULB LAMP
M268	DG73-00002A	RUBBER-CUSHION	BT63BSST,SILICON RUBBER,-	2	SNA	CAVITY-FRONT
M278	DG47-00005A	LAMP-BULB	-,BT63BSST / BWT,-,-,-,-,25W	1	SNA	-
M279	DG63-00026A	COVER-LAMP BULB	BT63BSST / BWT,GLASS,-,-	1	SNA	-
M293	DG61-00039A	SUPPORT-HINGE RIGHT	BT63BSST,GI,T1.5,W35	1	SA	-
M294	DG61-00040A	SUPPORT-HINGE LEFT	BT63BSST,GI,T1.5,W350	1	SA	-
M324	DG63-00102A	COVER-FRONT-LEFT	BT63BSSTR/BWT,PC(LEXAN	1	SA	-
M325	DG63-00103A	COVER-FRONT-RIGHT	BT63BSSTR/BWT,PC(LEXAN	1	SA	-
P186	DG63-00009B	COVER-BACK	BT62FQBPST,GI,T0.5,W630,L625,	1	SA	-
P214	DG96-00008E	ASSY BRACKET UPPER	BF62CBSTR,-,-,NEW Bkt	1	SA	-
P223	DG63-00006B	COVER-FAN COOLING	BT63BSST,ALSTAR,T0.6,W	1	SA	BKT-UPPER
T030	DG59-00001A	RACK-WIRE	BT63BSST,-,MSWR,-,-,-,-,W461	1	SA	-
T111	DG63-00011A	TRAY-BAKING B	BT63BSST,SPP,T0.6,W660,L47	1	SA	-
T112	DG63-00012A	TRAY-BAKING A	BT63BSST,SPP,T0.6,W660,L47	1	SA	-
U007	DG61-00051A	BASE-BOTTOM	BT63BSST,SGCD1,T0.5,W555,L61	1	SA	-
W002	DG39-00005A	WIRE HARNESS-A	BF62CBST,230V/50Hz,VDE,-,	1	SA	-
W030	DG39-00003A	WIRE HARNESS-D(LAMP)	BT63BSST,230V/50Hz,	1	SA	LAMP-BULB
X107	6021-001208	NUT-HEXAGON CAP	-,M4,NI PLT,SWRCH10A,-	1	SNA	UPPER-CONV. MOTOR
X107	6021-001211	NUT-HEXAGON CAP	-,M4,NI PLT,SWRCH10A,LEF	1	SNA	LOWER-CONV. MOTOR
Z779	6021-001207	NUT-CIRCULAR	-,M5,NI PLT,SWRCH10A,MESHIN	1	SNA	STUD-GRILL

5-3 Main Parts List (Version 01)

(SNA : SERVICE NOT AVAILABLE)

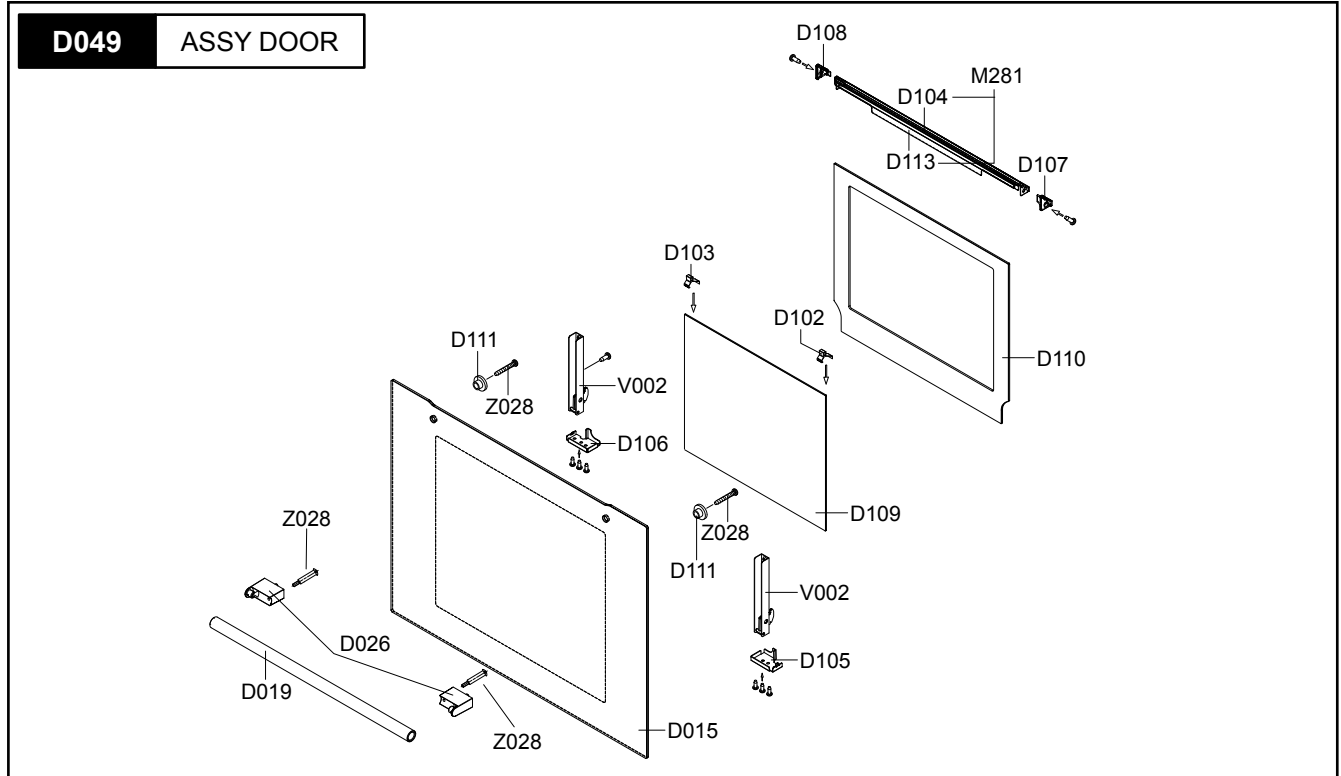
No.	Code No.	Description	Specification	Q'ty	SA/ SNA	Remark
C003	DG97-00021F	ASSY PCB-MAIN	-,BF64CBSTR/BWT,-,-,-,HOLD	1	SA	HOLDER-PCB MAIN
C003	OCS-CMAIN-01	ASSY PCB PARTS	BF64CBSTR/BWT,230V50HZ	1	SA	HOLDER-PCB MAIN
C195	DG61-00060B	HOLDER-PCB MAIN	24" all model,PA66+GF15	1	SA	-
D116	DG97-00019A	ASSY GASKET DOOR	BT63BSST / BWT,-,-,SILI	1	SA	-
G005	DG65-00002A	TERMINAL BLOCK	BT63BSST,PA66,-,-,6 sqmm,	1	SA	-
H001	DG31-00009A	MOTOR CONVECTION	SMC-620EA,BT63BSST,0.18	1	SA	-
H001	DG31-00009B	MOTOR CONVECTION	SMC-620EA-1,BT63BSST,0.	1	SA	-
H012	DE61-50490A	BRACKET-TCO	-,SECC1,T0.6,34,58,-,-	1	SNA	-
H015	DG63-00005A	COVER-CASING	BT63BSST,SPP,T0.8,W430,L410	1	SA	-
H024	DE60-30016A	NUT-FLANGE	M4,MSWR10,-,-,-,-,-,-	4	SNA	CAVITY- UPPER,GRILL- HEATER,STUD- GRILL
H024	DE60-30016A	NUT-FLANGE	M4,MSWR10,-,-,-,-,-,-	3	SNA	-
H033	DG61-00248A	BRACKET-CONVECTION-MOTOR	BT62CDST,GI,T0.	1	SA	-
H033	DG61-00248A	BRACKET-CONVECTION-MOTOR	BT62CDST,GI,T0.	1	SA	-
H048	DG47-00011A	HEATER-CONVECTION SINGLE	SHC-BF62E,BF62C	1	SA	-
H049	DG60-00001A	SPACER-FAN CONVECTION	BT63BSST,STKM11A,L	2	SA	-
H050	DG61-00031A	BRACKET-AS COVER	BT63BSST,GI,T0.6,W180,L	1	SA	COVER-BACK
H051	DG61-00052A	CASE-UPPER A	BT63BSST,GI,T0.5,W570.8,L36	1	SA	-
H052	DG61-00053A	CASE-UPPER B	BT63BSST,GI,T0.5,W567.6,L22	1	SA	-
H053	DG61-00054A	CASE-RIGHT	BT63BSST,SGCD1,T0.5,W600,L533	1	SA	-
H054	DG61-00055A	CASE-LEFT	BT63BSST,SGCD1,T0.5,W600,L5 33,	1	SA	-
H055	DG61-00073A	STUD-GRILL	BT63BSST,STS,-,-,L29,-,-	1	SA	CAVITY-UPPER
H057	DG67-00001B	FAN-CONVECTION UPPER	BT62FQBPST,ALCOAT,P	1	SA	LOWER-CON- VECTION
H058	DG67-00011B	FAN-CONVECTION LOWER	BT62FQBPST,ALCOAT,P	1	SA	UPPER-CON- VECTION
H060	DG96-00060A	ASSY MOTOR CONVECTION	-,230V/50Hz,-,OS	1	SNA	-
H060	DG96-00060B	ASSY MOTOR CONVECTION	-,230V/50Hz,-,OS	1	SNA	-
M003	DG61-00191B	BRACKET-UPPER	BF62CBST(SINGLE),SGCD1(GA)	1	SNA	-
M007	DG47-00008A	HEATER-GRILL	SHG-BT63E,BT63BSST,SUS309,-	1	SA	-
M013	DG61-00192A	BRACKET-AIR-GUIDE	BT62FQBPST,ALCOAT,T0.6	1	SA	-
M015	DG96-00032A	ASSY POWER CORD	-,EL-211,250V/16A,H05VV-	1	SA	-
M017	DG96-00021A	ASSY NOISE FILTER	-,SN-BF63,250V15A,E-OV	1	SA	-
M032	DG47-00010B	THERMOSTAT	NT-103NC,NT-103NC,250V 7.5A/1	1	SA	BKT-UPPER
M032	DG47-00010B	THERMOSTAT	NT-103NC,NT-103NC,250V 7.5A/1	1	SA	COVER-ADIA- BATIC REAR
M054	DG32-00001A	SENSOR-THERMISTOR	PM3M-K342-S1,E-OVEN,-,	1	SA	ASSY-CAVITY BACK
M058	6502-001100	CABLE CLAMP	PA268 RO,ID8,-,PA6,BLACK	1	SNA	COVER-BACK
M224	DG47-00007A	HEATER-BOTTOM	SHB-BT63E,E-OVEN,SUS309,12	1	SA	-
M229	DG96-00018A	ASSY HOLDER NOISE FILTER	BT63BSST,-	1	SNA	COVER-ADIA- BATIC REAR
M241	DG63-00007A	COVER-BOTTOM HEATER	BT63BSST,GI,T0.5,W43	1	SA	ASSY-CAVITY

5-3 Main Parts List (Continued)

(SNA : SERVICE NOT AVAILABLE)

No.	Code No.	Description	Specification	Q'ty	SA/ SNA	Remark
M242	DG63-00034A	COVER-SCREW	BT63BSST,ABS(HR0760SR),-,,-	2	SNA	CAVITY-FRONT
M243	DG70-00002A	STEEL WIRE	BT63BSST,STEEL,T1.0,L2000,-,-	2	SA	-
M248	DG97-00011A	ASSY LAMP BULB	BT63BSST / BWT,-,230V25W,	1	SNA	CAVITY-BACK
M249	DG97-00012A	ASSY LAMP BULB-SUB	BT63BSST / BWT,-,230V	1	SA	-
M250	DG63-00098A	SHEET-RING BULB	BT62FQBPST,STS 304,T0.5,	1	SA	-
M251	DG97-00144J	ASSY COVER ADIABATIC-REAR	BF62CBST,-,-,C	1	SNA	-
M253	DG96-00015A	ASSY COVER ADIABATIC-REAR	BT63BSST,-	1	SA	-
M258	DG96-00059A	ASSY MOTOR-COOLING	-,-,230V/50Hz,-,E-OVE	1	SA	COVER-FAN COOLING
M259	DG31-00008A	MOTOR FAN-COOLING	SMV-610EA,BT63BSST,0.1	1	SA	-
M260	DG61-00056A	SUPPORT-MOTOR COOLING	PA66+GF15%,BT63BSS	1	SA	-
M261	DG67-00017A	FAN-COOLING	BT62FQBPST,NYLON#66 GF15,-,-	1	SA	-
M264	DG61-00090B	HOLDER-NOISE FILTER	24" all model,PA66+	1	SA	-
M265	DG63-00029A	COVER-RING BULB	BT63BSST,STS 304,T0.5,W5	1	SA	COVER-BULB LAMP
M268	DG73-00002A	RUBBER-CUSHION	BT63BSST,SILICON RUBBER,-	2	SNA	CAVITY-FRONT
M278	DG47-00005A	LAMP-BULB	-,BT63BSST / BWT,-,-,-,-,25W	1	SNA	-
M279	DG63-00026A	COVER-LAMP BULB	BT63BSST / BWT,GLASS,-,-	1	SNA	-
M293	DG61-00039A	SUPPORT-HINGE RIGHT	BT63BSST,GI,T1.5,W35	1	SA	-
M294	DG61-00040A	SUPPORT-HINGE LEFT	BT63BSST,GI,T1.5,W350	1	SA	-
M324	DG63-00102A	COVER-FRONT-LEFT	BT63BSSTR/BWT,PC(LEXAN	1	SA	-
M325	DG63-00103A	COVER-FRONT-RIGHT	BT63BSSTR/BWT,PC(LEXAN	1	SA	-
M392	DG63-00086B	COVER-FAN-COOLING	BT62FQBPST,ALSTAR,T0.6	1	SA	-
P186	DG63-00009B	COVER-BACK	BT62FQBPST,GI,T0.5,W630,L625,	1	SA	-
P214	DG96-00037C	ASSY BRACKET UPPER	BF62CBSTR,-,-,NEW Bkt	1	SA	-
T030	DG59-00001A	RACK-WIRE	BT63BSST,-,MSWR,-,-,-,-,W461	1	SA	-
T111	DG63-00011A	TRAY-BAKING B	BT63BSST,SPP,T0.6,W660,L47	1	SA	-
T112	DG63-00012A	TRAY-BAKING A	BT63BSST,SPP,T0.6,W660,L47	1	SA	-
U007	DG61-00051A	BASE-BOTTOM	BT63BSST,SGCD1,T0.5,W555,L61	1	SA	-
W002	DG39-00005A	WIRE HARNESS-A	BF62CBST,230V/50Hz,VDE,-,	1	SA	-
W030	DG39-00003A	WIRE HARNESS-D(LAMP)	BT63BSST,230V/50Hz,	1	SA	LAMP-BULB
X002	DG68-00126A	MANUAL-INSTRUCTION	BF64FCB/BOL,BOL,BUL+M	1	SA	-
X073	6902-000336	BAG ZIPPER	LDPE,T0.05,W70,L80,TRP,-,-,-,	1	SNA	-
X107	6021-001208	NUT-HEXAGON CAP	-,M4,NI PLT,SWRCH10A,-	1	SNA	UPPER-CONV. MOTOR
X107	6021-001211	NUT-HEXAGON CAP	-,M4,NI PLT,SWRCH10A,LEF	1	SNA	LOWER-CONV. MOTOR

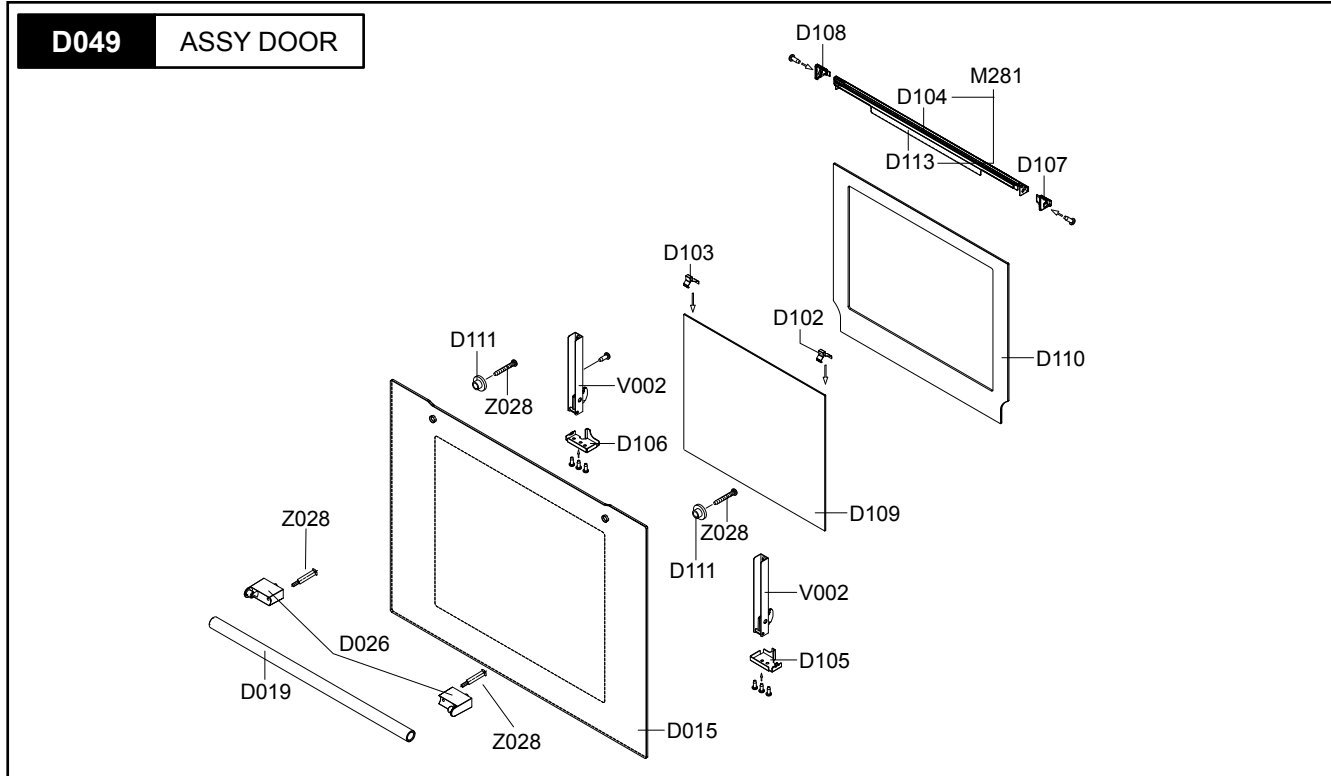
5-4 Door Parts List (Version 00)



(SNA : SERVICE NOT AVAILABLE)

No.	Code No.	Description	Specification	Q'ty	SA/SNA	Remark
D015	DG94-00008C	ASSY DOOR SUB	BF64CBBR / BWT,-,-,CLASSIC	1	SA	-
D019	DG64-00015B	HANDLE DOOR	BF64CBBR,AL,-,-,-,-,BLK,ANOD	1	SA	-
D026	DG63-00025A	COVER-HANDLE	BF64CBBR/BWT,PC(LEXAN 141R)	2	SA	-
D049	DG94-00007H	ASSY DOOR	BF64CBB/XEU,-,-,No caution Lab	1	SA	-
D102	DG61-00049A	HOLDER GLASS-R	BT63BSST,STS301,T0.4,W83,	1	SA	GLASS-DOOR MIDDLE
D103	DG61-00050A	HOLDER GLASS-L	BT63BSST,STS301,T0.4,W83,	1	SA	GLASS-DOOR MIDDLE
D104	DG61-00070A	HOLDER GLASS-INNER	BT63BSST,STS,T0.4,W55	1	SNA	GLASS-DOOR INNER
D105	DG63-00003A	COVER-HINGE RIGHT	BT63BSST,GA,T1.0,W68,P	1	SA	-
D106	DG63-00004A	COVER-HINGE LEFT	BT63BSST,GA,T1.0,W68,P7	1	SA	-
D107	DG63-00014A	COVER DUCT-DOOR(L)	BT63BSST,PC(LEXAN 141	1	SA	-
D108	DG63-00015A	COVER DUCT-DOOR(R)	BT63BSST,PC(LEXAN 141	1	SA	-
D109	DG64-00045A	GLASS-DOOR MIDDLE	BF62CBSTR/BWT,GLASS,T4	1	SA	-
D110	DG64-00046B	GLASS-DOOR INNER	BF62CBST,GLASS,T4.0,W53	1	SA	-
D111	DG66-00005A	DAMPER-HANDLE	BT63ASAL,PA66,-,-,-,-,BLK,	2	SA	-
D113	DG67-00003A	DUCT-DOOR COVER	BT63BSST,STS 430 #4,T0.8	1	SNA	-
M281	DG97-00040A	ASSY DUCT-COVER	BT63BSSTR,-,-,WELDING	1	SA	GLASS-DOOR INNER
V002	DG97-00023A	ASSY HINGE	BT63BSST / BWT,-,-,BRERA	2	SA	-
Z028	6001-000623	SCREW-MACHINE	PH,+,-,M5,L10,ZPC(WHT),SM1	2	SNA	COVER-HANDLE
Z028	6001-001961	SCREW-MACHINE	FH,+,-,M4,L12,ZPC(BLK),SWR	4	SNA	COVER-DUCT DOOR R/L,FRAME-DOOR R/L

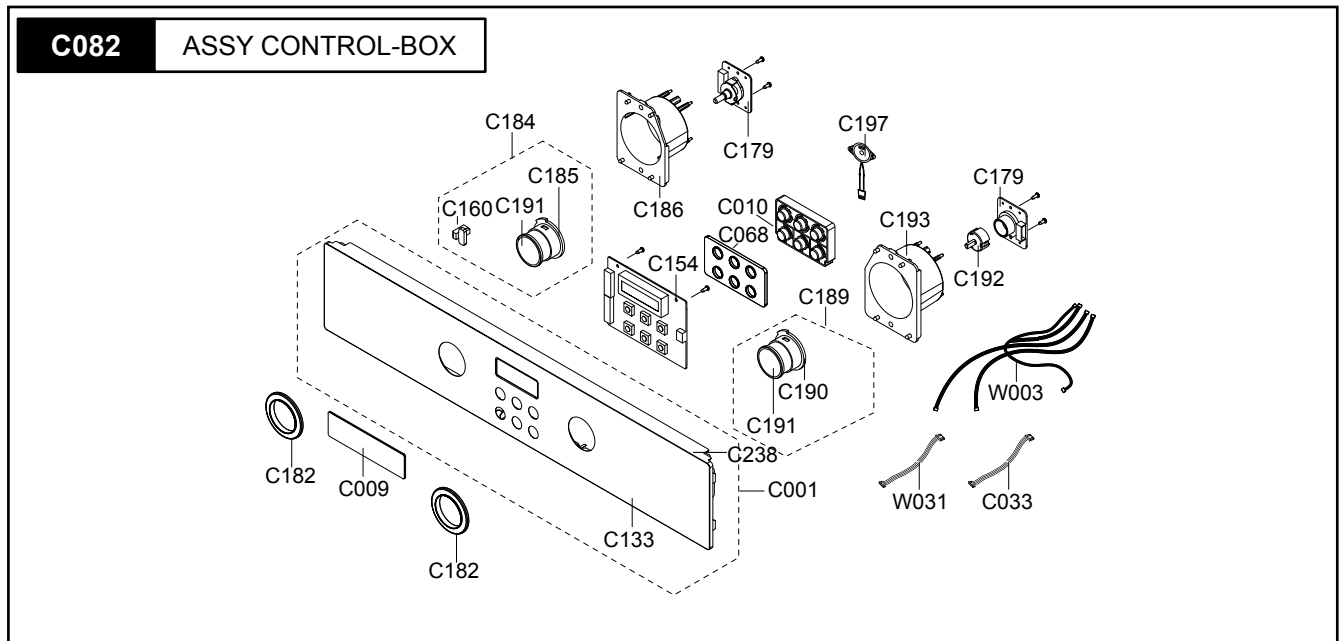
5-4 Door Parts List (Version 01)



(SNA : SERVICE NOT AVAILABLE)

No.	Code No.	Description	Specification	Q'ty	SA/SNA	Remark
D015	DG94-00008C	ASSY DOOR SUB	BF64CBBR / BWT,-,-,CLASSIC	1	SA	-
D019	DG64-00015B	HANDLE DOOR	BF64CBBR,AL,-,-,-,BLK,ANOD	1	SA	-
D026	DG63-00025A	COVER-HANDLE	BF64CBBR/BWT,PC(LEXAN 141R)	2	SA	-
D049	DG94-00007H	ASSY DOOR	BF64CBB/XEU,-,-,No caution Lab	1	SA	-
D102	DG61-00049A	HOLDER GLASS-R	BT63BSST,STS301,T0.4,W83,	1	SA	GLASS-DOOR MIDDLE
D103	DG61-00050A	HOLDER GLASS-L	BT63BSST,STS301,T0.4,W83,	1	SA	GLASS-DOOR MIDDLE
D104	DG61-00070A	HOLDER GLASS-INNER	BT63BSST,STS,T0.4,W55	1	SNA	GLASS-DOOR INNER
D105	DG63-00003A	COVER-HINGE RIGHT	BT63BSST,GA,T1.0,W68,P	1	SA	-
D106	DG63-00004A	COVER-HINGE LEFT	BT63BSST,GA,T1.0,W68,P7	1	SA	-
D107	DG63-00014A	COVER DUCT-DOOR(L)	BT63BSST,PC(LEXAN 141	1	SA	-
D108	DG63-00015A	COVER DUCT-DOOR(R)	BT63BSST,PC(LEXAN 141	1	SA	-
D109	DG64-00045A	GLASS-DOOR MIDDLE	BF62CBSTR/BWT,GLASS,T4	1	SA	-
D110	DG64-00046B	GLASS-DOOR INNER	BF62CBST,GLASS,T4.0,W53	1	SA	-
D111	DG66-00005A	DAMPER-HANDLE	BT63ASAL,PA66,-,-,-,BLK,	2	SA	-
D113	DG67-00003A	DUCT-DOOR COVER	BT63BSST,STS 430 #4,T0.8	1	SNA	-
M281	DG97-00040A	ASSY DUCT-COVER	BT63BSSTR,-,-,WELDING	1	SA	GLASS-DOOR INNER
V002	DG97-00023A	ASSY HINGE	BT63BSST / BWT,-,-,BRERA	2	SA	-
Z028	6001-000623	SCREW-MACHINE	PH,+,-,M5,L10,ZPC(WHT),SM1	2	SNA	COVER-HANDLE
Z028	6001-001961	SCREW-MACHINE	FH,+,-,M4,L12,ZPC(BLK),SWR	4	SNA	COVER-DUCT DOOR R/L,FRAME-DOOR R/L

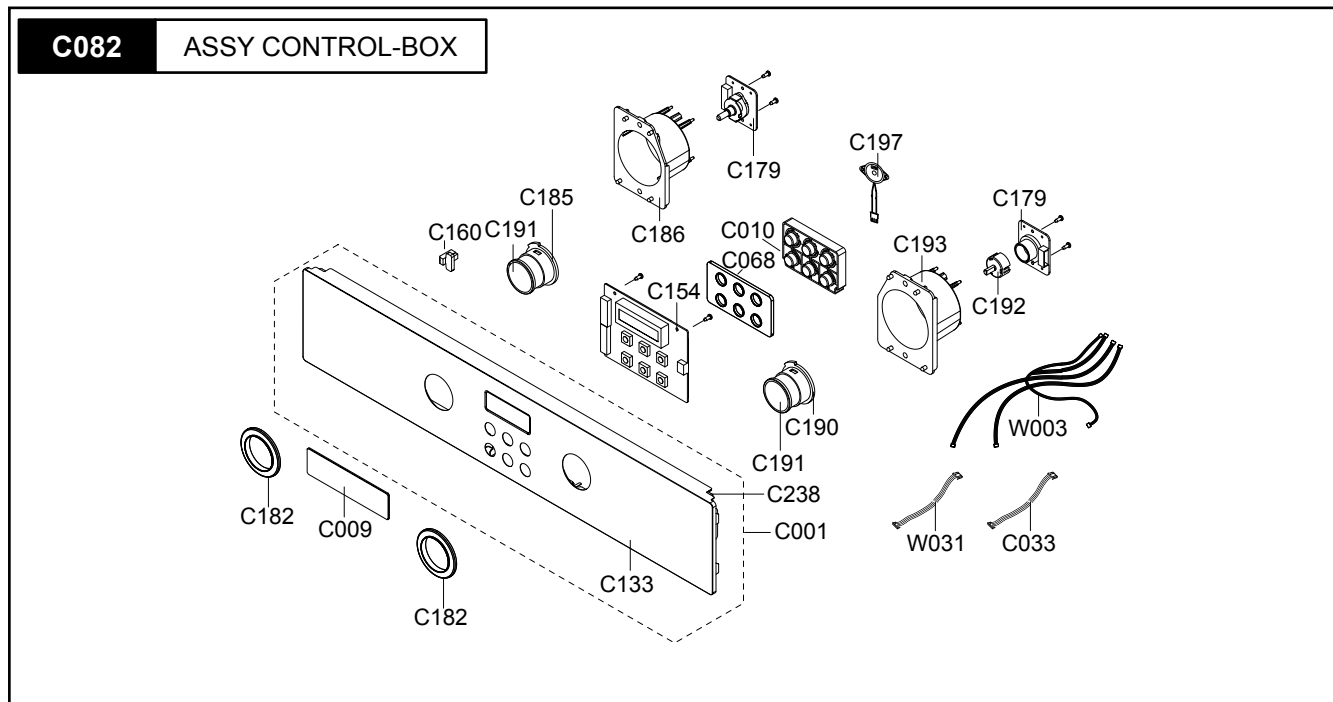
5-5 Control Parts List (Version 00)



(SNA : SERVICE NOT AVAILABLE)

No.	Code No.	Description	Specification	Q'ty	SA/ SNA	Remark
C001	DG94-00034B	ASSY CONTROL PANEL	BF64CBBR / BWT,BLK,-,	1	SA	-
C009	DG64-00157A	WINDOW-DISPLAY	CLASSIC,ACRYL,T3.0,33(H),	1	SA	-
C010	DG64-00024B	BUTTON-SELECT	BT62CBST,PC(LEXAN 141R),-	1	SA	-
C033	DG39-00007A	WIRE HARNESS-C	BF62CBST,230V/50Hz,VDE,-,	1	SA	POP-UP PCB
C068	DG64-00026A	BUTTON-RING	BF62CBST,PC(LEXAN 141R),-,-,	1	SA	-
C082	DG94-00031A	ASSY CONTROL BOX	BF64CBBR / BWT,230V50Hz	1	SNA	-
C133	DG64-00013B	CHASSIS-PANEL	BF64CBBR,EGI,T0.6,W620,L19	1	SNA	-
C154	DE96-00578A	ASSY DISPLAY	BF64CBST,DAM-C-Disp,-,-,-,-	1	SA	-
C160	DG64-00053A	KNOB-INDICATE	HS-C427AST,PC,-,-,-,-,RED,	1	SNA	KNOB-DIAL SELECT
C179	DE96-00576A	ASSY PCB SUB	-,BF64CBST,-,-,-,-,DAM-C-Mode	1	SA	COVER-DIAL SELECT
C179	DE96-00577A	ASSY PCB SUB	-,BF64CBST,-,-,-,-,DAM-C-Dial	1	SA	COVER-DIAL ENCODER
C182	DG64-00027A	KNOB-DIAL RING	BF62CBST,PA66+GF15%,-,-,-,-	2	SA	-
C184	DG97-00034B	ASSY KNOB DIAL-SELECT	BF64CBBR / BWT,CAP	1	SA	-
C185	DG64-00055A	KNOB-DIAL SELECT	BF64CBST,PC,-,-,-,-,CLASS	1	SA	-
C186	DG63-00021A	COVER-DIAL SELECT	BF64CBSTR,LEXAN 141R,-	1	SA	-
C189	DG97-00035B	ASSY KNOB DIAL-ENCODER	BF64CBBR / BWT,CA	1	SA	-
C190	DG64-00058A	KNOB-DIAL ENCODER	BF64CBST,PC,-,-,-,-,CLAS	1	SA	-
C191	DG67-00004B	CAP-DIAL	BF64CBBR,AL,-,-,-,-,SPIN,ANODI	1	SNA	-
C191	DG67-00004B	CAP-DIAL	BF64CBBR,AL,-,-,-,-,SPIN,ANODI	1	SNA	-
C192	DG61-00061A	HOLDER-ENCODER SWITCH	BT63BSST,PA66+GF15	1	SA	PCB-ENCODER
C193	DG63-00022A	COVER-DIAL ENCODER	BF64CBSTR,LEXAN 141R,	1	SA	-
C197	DE96-00585A	ASSY BUZZER	E-OVEN,KPR-2310,-,-,-,-,-	1	SNA	ASSY CONTROL-PANEL
C238	DG96-00022A	ASSY BRACKET PANEL	BF64CBSTR,GI,-,-	1	SA	-
W003	DG39-00006A	WIRE HARNESS-B	BF62CBST,230V/50Hz,VDE,-,	1	SA	DISPLAY-PCB
W031	DG39-00009A	WIRE HARNESS-D(CLASSIC)	BF62CBST,230V/50	1	SA	ASSY-KNOB ENCODER

5-5 Control Parts List (Version 01)



(SNA : SERVICE NOT AVAILABLE)

No.	Code No.	Description	Specification	Q'ty	SA/SNA	Remark
C001	DG94-00034B	ASSY CONTROL PANEL	BF64CBBR / BWT,BLK,-,	1	SA	-
C009	DG64-00157A	WINDOW-DISPLAY	CLASSIC,ACRYL,T3.0,33(H),	1	SA	-
C010	DG64-00024B	BUTTON-SELECT	BT62CBST,PC(LEXAN 141R),-	1	SA	-
C033	DG39-00007A	WIRE HARNESS-C	BF62CBST,230V/50Hz,VDE,-,	1	SA	POP-UP PCB
C068	DG64-00026A	BUTTON-RING	BF62CBST,PC(LEXAN 141R),-,-,	1	SA	-
C082	DG94-00031A	ASSY CONTROL BOX	BF64CBBR / BWT,230V50Hz	1	SNA	-
C133	DG64-00013B	CHASSIS-PANEL	BF64CBBR,EGI,T0.6,W620,L19	1	SNA	-
C154	DE96-00578A	ASSY DISPLAY	BF64CBST,DAM-C-Disp,-,-,-,-	1	SA	-
C160	DG64-00053A	KNOB-INDICATE	HS-C427AST,PC,-,-,-,-,RED,	1	SNA	-
C179	DE96-00576A	ASSY PCB SUB	-,BF64CBST,-,-,-,-,DAM-C-Mode	1	SA	COVER-DIAL SELECT
C179	DE96-00577A	ASSY PCB SUB	-,BF64CBST,-,-,-,-,DAM-C-Dial	1	SA	COVER-DIAL ENCODER
C182	DG64-00027A	KNOB-DIAL RING	BF62CBST,PA66+GF15%,-,-,-,-	2	SA	-
C185	DG64-00055A	KNOB-DIAL SELECT	BF64CBST,PC,-,-,-,-,CLASS	1	SA	-
C186	DG63-00021A	COVER-DIAL SELECT	BF64CBSTR,LEXAN 141R,-	1	SA	-
C190	DG64-00058A	KNOB-DIAL ENCODER	BF64CBST,PC,-,-,-,-,CLAS	1	SA	-
C191	DG67-00004B	CAP-DIAL	BF64CBBR,AL,-,-,-,-,SPIN,ANODI	2	SNA	-
C192	DG61-00061A	HOLDER-ENCODER SWITCH	BT63BSST,PA66+GF15	1	SA	PCB-ENCODER
C193	DG63-00022A	COVER-DIAL ENCODER	BF64CBSTR,LEXAN 141R,	1	SA	-
C197	DE96-00585A	ASSY BUZZER	E-OVEN,KPR-2310,-,-,-,-,-	1	SNA	ASSY CONTROL-PANEL
C238	DG96-00022A	ASSY BRACKET PANEL	BF64CBSTR,GI,-,-,-	1	SA	-
W003	DG39-00006A	WIRE HARNESS-B	BF62CBST,230V/50Hz,VDE,-,	1	SA	DISPLAY-PCB
W031	DG39-00009A	WIRE HARNESS-D(CLASSIC)	BF62CBST,230V/50	1	SA	ASSY-KNOB ENCODER

5-6 Standard Parts List (Version 00)

(SNA : SERVICE NOT AVAILABLE)

LEVEL	Code No.	Description	Specification	Q'ty	SA/SNA	Remark
1-1	6001-001960	SCREW-MACHINE	FH,+,-,M5,L12,ZPC(BLK),SWR	4	SNA	CAVITY-FRONT
1-1	6002-000432	SCREW-TAPPING	TH,+,-,B,M4,L10,ZPC(WHT),S	4	SNA	COVER-ADIABATIC REAR
1-1	6002-001173	SCREW-TAPPING	FH,+,-,2S,M4,L12,ZPC(BLK),MS	4	SNA	COVER-CASING
1-1	6006-001170	SCREW-TAPPING	TH,+,-,WT,TC,M4,L10,ZPC(WHT)	1	SNA	W-H-D
1-1	6006-001174	SCREW-ASSY TAPP	WE,TH,+,-,M4,L12,ZPC(YEL)	38	SNA	ASSY BKT-UPPER,ASSY CONTROL-BOX,ASSY NOISE-FILTER,BKT-AS COVER,CASE-LEFT,CASE-RIGHT,CASE-UPPER A/B,C
1-1	6006-001176	SCREW-ASSY TAPT	WT,PH,+,-,M4,L8,ZPC(YEL)	1	SNA	SENSOR-THERMISTOR
1-1	6009-001488	SCREW-SPECIAL	PH,+,-,M3,L25,ZPC(WHT),SWR	2	SNA	CABLE-CLAMP
1-1	6021-001207	NUT-CIRCULAR	-,M5,NI PLT,SWRCH10A,MESHIN	1	SNA	STUD-GRILL
1-1	6021-001208	NUT-HEXAGON CAP	-,M4,NI PLT,SWRCH10A,-	1	SNA	UPPER-CONV. MOTOR
1-1	6021-001211	NUT-HEXAGON CAP	-,M4,NI PLT,SWRCH10A,LEF	1	SNA	LOWER-CONV. MOTOR
1-1	DE60-30016A	NUT-FLANGE	M4,MSWR10,-,-,-,-,-,-,-	4	SNA	CAVITY-UPPER,GRILL-HEATER,STUD-GRILL
1-1	DG63-00034A	COVER-SCREW	BT63BSST,ABS(HR0760SR),-,-,-,-	2	SA	CAVITY-FRONT
1-2	6001-000623	SCREW-MACHINE	PH,+,-,M5,L10,ZPC(WHT),SM1	2	SNA	COVER-HANDLE
1-2	6001-001961	SCREW-MACHINE	FH,+,-,M4,L12,ZPC(BLK),SWR	4	SNA	COVER-DUCT DOOR R/L,FRAME-DOOR R/L
1-2	6002-000413	SCREW-TAPPING	TH,+,-,2S,M4,L8,BLK	6	SNA	COVER-HINGE R/L
1-2	6002-000413	SCREW-TAPPING	TH,+,-,2S,M4,L8,BLK	4	SNA	COVER-DAIL ENCODER,COVER-DIAL SELECT
1-2	6002-000630	SCREW-TAPPING	PH,+,-,2S,M3,L8,ZPC(YEL),SWR	6	SNA	PCB-DISPLAY,PCB-SELECT/ENCODER
1-2	DE60-10191A	SCREW-MACHINE	-,MSWR,M4,L35,PH,+,-,UP,ZP	2	SNA	ASSY-MOTOR COOLING
1-2	DE60-30016A	NUT-FLANGE	M4,MSWR10,-,-,-,-,-,-,-	3	SNA	-
1-2	6006-001174	SCREW-ASSY TAPP	WE,TH,+,-,M4,L12,ZPC(YEL)	6	SNA	COVER-FAN COOLING,THERMOSTAT,BKT-AIR GUIDE-
1-2	6006-001174	SCREW-ASSY TAPP	WE,TH,+,-,M4,L12,ZPC(YEL)	8	SNA	MOTOR-CONVECTION,TERMINAL-BLOCK,THERMOSTAT
1-2	6006-001176	SCREW-ASSY TAPT	WT,PH,+,-,M4,L8,ZPC(YEL)	1	SNA	TERMINAL-BLOCK
1-2	6002-000630	SCREW-TAPPING	PH,+,-,2S,M3,L8,ZPC(YEL),SWR	2	SNA	PCB-MAIN
1-1	DG97-00087A	ASSY PACKING SCREW	BT63BSSTR,-,-,-,-,-,B	1	SNA	BAG-PE(I/B)
1-2	6002-001390	SCREW-TAPPING	FH,+,-,1,M4,L25,ZPC(BLK),S	3	SNA	BAG-ZIPPER

5-6 Standard Parts List (Version 01)

(SNA : SERVICE NOT AVAILABLE)

LEV-EL	Code No.	Description	Specification	Q'ty	SA/SNA	Remark
1-2	6002-000630	SCREW-TAPPING	PH,+2S,M3,L8,ZPC(YEL),SWR	2	SNA	PCB-MAIN
1-1	DG97-00087A	ASSY PACKING SCREW	BT63BSSTR,-,-,-,-,B	1	SNA	BAG-PE(I/B)
1-2	6002-001390	SCREW-TAPPING	FH,+,-,1,M4,L25,ZPC(BLK),S	3	SNA	BAG-ZIPPER
1-2	DE60-10191A	SCREW-MACHINE	-,MSWR,M4,L35,PH,+,-,UP,ZP	2	SNA	ASSY-MOTOR COOLING
1-2	DE60-30016A	NUT-FLANGE	M4,MSWR10,-,-,-,-,-	3	SNA	-
1-2	6006-001174	SCREW-ASSY TAPP	WE,TH,+M4,L12,ZPC(YEL)	7	SNA	BKT-AIR GUIDE,COVER-FAN COOLING,TCO
1-2	6006-001174	SCREW-ASSY TAPP	WE,TH,+M4,L12,ZPC(YEL)	8	SNA	MOTOR-CONVECTION,TERMINAL-BLOCK,THERMOSTAT
1-2	6006-001176	SCREW-ASSY TAPT	WT,PH,+M4,L8,ZPC(YEL)	1	SNA	TERMINAL-BLOCK
1-3	6001-000547	SCREW-MACHINE	TH,+,-,M4,L25,ZPC(WHT),SWR	1	SNA	-
1-3	6006-001176	SCREW-ASSY TAPT	WT,PH,+M4,L8,ZPC(YEL)	2	SNA	MOTOR-CONVECTION
1-3	DE60-30016A	NUT-FLANGE	M4,MSWR10,-,-,-,-,-	1	SNA	-
1-3	6001-000547	SCREW-MACHINE	TH,+,-,M4,L25,ZPC(WHT),SWR	1	SNA	-
1-3	6006-001176	SCREW-ASSY TAPT	WT,PH,+M4,L8,ZPC(YEL)	2	SNA	MOTOR-CONVECTION
1-3	DE60-30016A	NUT-FLANGE	M4,MSWR10,-,-,-,-,-	1	SNA	-
1-1	6001-001960	SCREW-MACHINE	FH,+,-,M5,L12,ZPC(BLK),SWR	4	SNA	CAVITY-FRONT
1-1	6002-000432	SCREW-TAPPING	TH,+,-,B,M4,L10,ZPC(WHT),S	4	SNA	COVER-ADIABATIC REAR
1-1	6002-001173	SCREW-TAPPING	FH,+2S,M4,L12,ZPC(BLK),MS	4	SNA	COVER-CASING
1-1	6006-001170	SCREW-TAPPING	TH,+WT,TC,M4,L10,ZPC(WHT)	1	SNA	W-H-D
1-1	6006-001174	SCREW-ASSY TAPP	WE,TH,+M4,L12,ZPC(YEL)	34	SNA	ASSY BKT-UPPER,ASSY CONTROL-BOX,ASSY NOISE-FILTER,BKT-AS COVER,CASE-LEFT,CASE-RIGHT,CASE-UPPER A/B,C
1-1	6006-001176	SCREW-ASSY TAPT	WT,PH,+M4,L8,ZPC(YEL)	1	SNA	SENSOR-THERMISTOR
1-1	6009-001488	SCREW-SPECIAL	PH,+,-,M3,L25,ZPC(WHT),SWR	2	SNA	CABLE-CLAMP
1-1	6021-001207	NUT-CIRCULAR	-,M5,NI PLT,SWRCH10A,MESHIN	1	SNA	STUD-GRILL
1-1	6021-001208	NUT-HEXAGON CAP	-,M4,NI PLT,SWRCH10A,-	1	SNA	UPPER-CONV. MOTOR
1-1	6021-001211	NUT-HEXAGON CAP	-,M4,NI PLT,SWRCH10A,LEF	1	SNA	LOWER-CONV. MOTOR
1-1	DE60-30016A	NUT-FLANGE	M4,MSWR10,-,-,-,-,-	4	SNA	CAVITY-UPPER,GRILL-HEATER,STUD-GRILL
1-1	DG63-00034A	COVER-SCREW	BT63BSST,ABS(HR0760SR),-,-,-	2	SA	CAVITY-FRONT
1-2	6001-000623	SCREW-MACHINE	PH,+,-,M5,L10,ZPC(WHT),SM1	2	SNA	COVER-HANDLE
1-2	6001-001961	SCREW-MACHINE	FH,+,-,M4,L12,ZPC(BLK),SWR	4	SNA	COVER-DUCT DOOR R/L,FRAME-DOOR R/L
1-2	6002-000413	SCREW-TAPPING	TH,+2S,M4,L8,BLK	6	SNA	COVER-HINGE R/L
1-2	6002-000413	SCREW-TAPPING	TH,+2S,M4,L8,BLK	4	SNA	COVER-DAIL ENCODER,COVER-DIAL SELECT
1-2	6002-000630	SCREW-TAPPING	PH,+2S,M3,L8,ZPC(YEL),SWR	6	SNA	PCB-DISPLAY,PCB-SELECT/EN-CODER