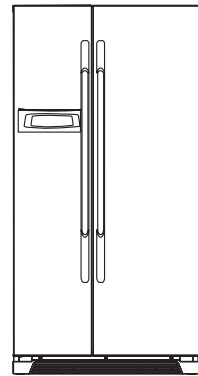


S/M No: RU54957901

# DESPIECE

## Refrigerator

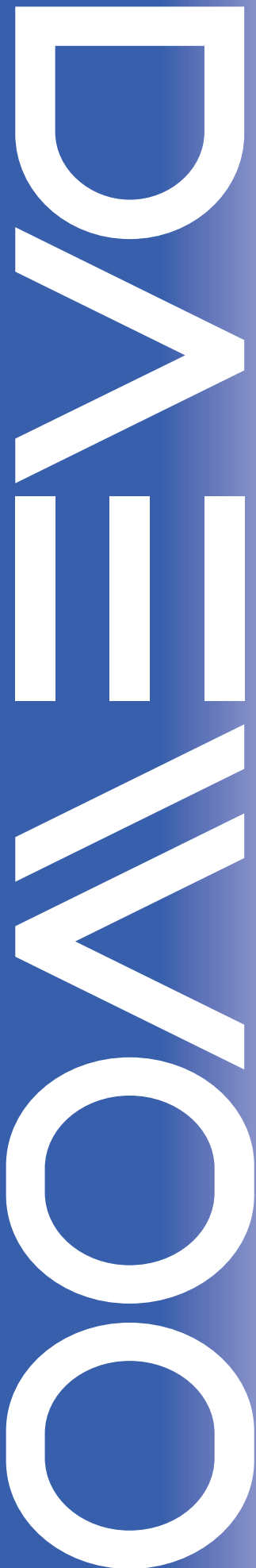
FRS-U20BEC



COLOR: TSG5H

### ✓ Caution

: In this Manual, some parts can be changed for improving, their performance without notice in the parts list. So, if you need the latest parts information, please refer to PPL(Parts Price List) in Service Information Center



FRS-020BEG

## Frigorífico Side by Side 570 litros.



### Capacidad

Capacidad total 570/537 litros (B/N).

Congelador 209/198 litros (B/N)

Frigorífico 381/339 litros (B/N).

### Características generales

Tecnología Nano Silver

Sistema No Frost 4\*\*\*\*

Clasificación energética "A"

Control de refrigeración Air Flow System

Control de Humedad

Pantalla LCD

2 ventiladores

Funcionamiento silencioso

Bajo nivel de consumo

Sin CFC/HCFC (gas R-134a)

Alarma de puerta abierta

### Frigorífico

4 estantes de cristal reforzado

2 cajones para verduras y frutas (nano silver)

5 estantes en puerta

Zona lácteos y huevera

### Congelador

Sistema de congelación rápida

Air Flow System

4 estantes de cristal

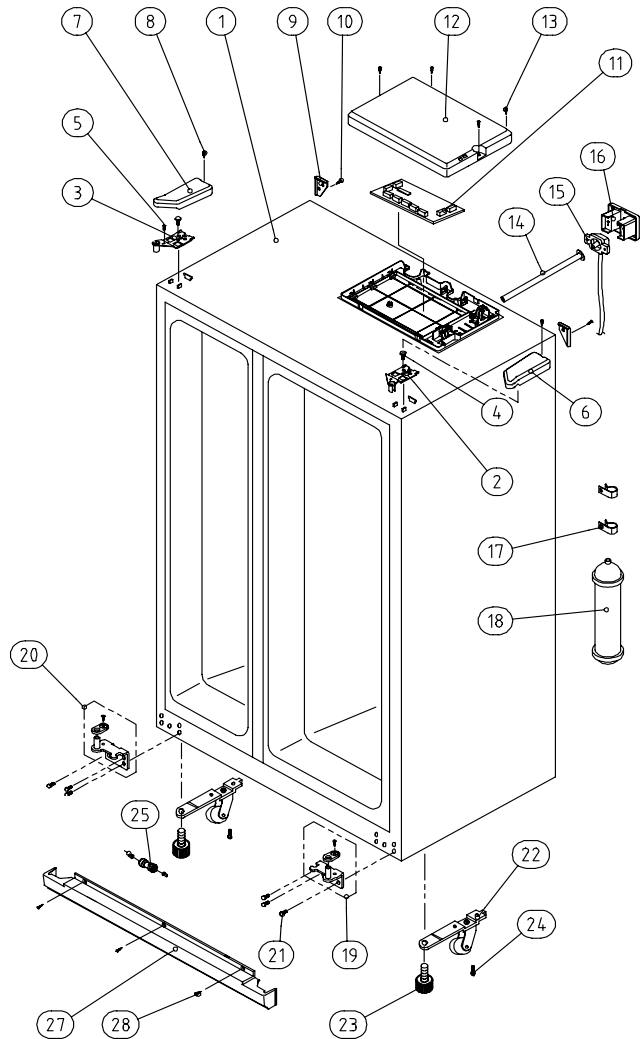
2 cajones (nano silver)

5 estantes en puerta

### Dimensiones

895 x 1790 x 731,5 (an x al x pr, en mm)

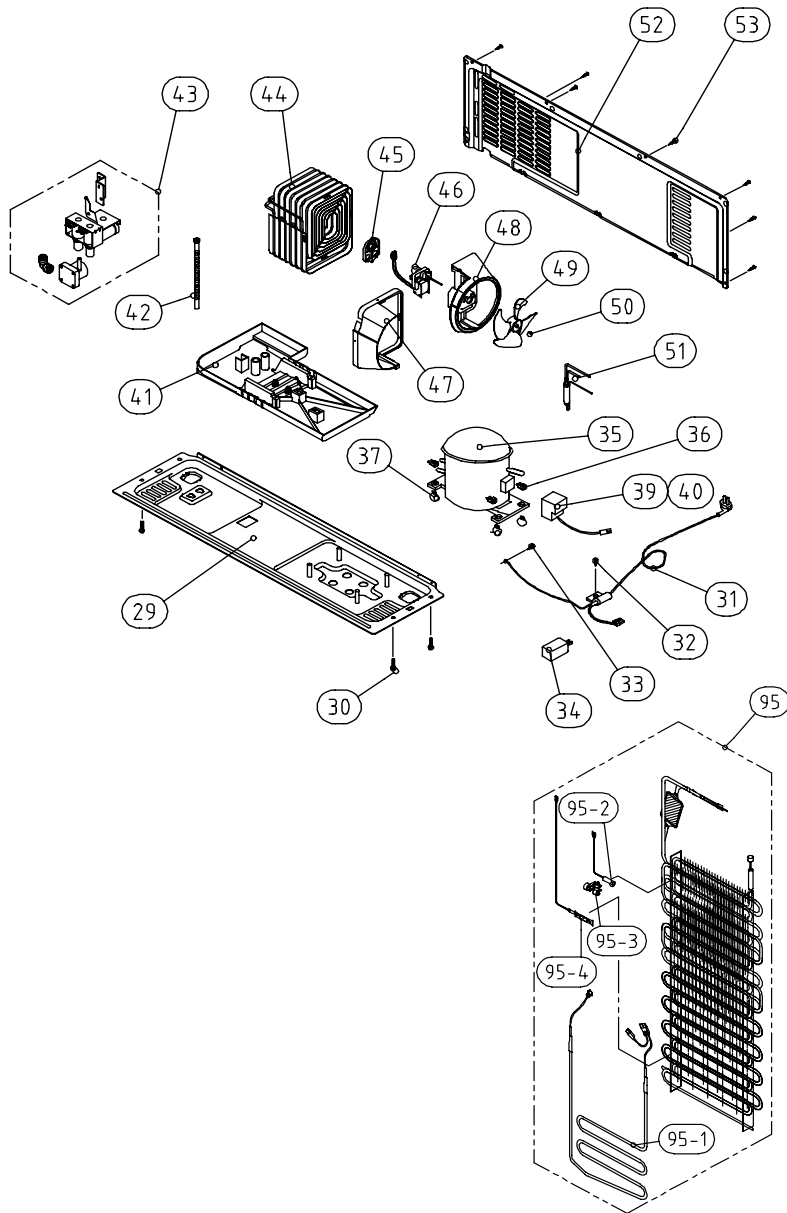
Peso 104 Kg



NO	PART-CODE	PART NAME	SPEC.	Q'ty	
				20BC	
1		ASSY CAB URT			1
2	3012924400	HINGE *T *R AS	PO T3.0+PAINT		1
3	3012924300	HINGE *T *L AS	PO T3.0+PAINT		1
4	NO DISPON	SPECIAL *T HI BOLT	6X13 SWCH18A		2
5	NO DISPON	SCREW MACHINE	PAN 4X10 SW BSNI		1
6	3011446200TSG5H	COVER *T HI *R	COLOR: TSG5H		1
7	3011446100TSG5H	COVER *T HI *L	COLOR: TSG5H		1
8	NO DISPON	SCREW TAPPING	T1 TRS 4X12 MFZN		2
9	NO DISPON	CAP CAB COVER	PP		2
10	NO DISPON	SCREW TAPPING	T1 TRS 4X12 MFZN		2
11	30143E1020	PCB MAIN AS	COMPATIBLE: 30143D6060		X
					X
					X
12	3011446001TSG5H	COVER MAIN PCB BOX	COLOR: TSG5H		1
13	NO DISPON	SCREW TAPPING	T1 TRS 4X12 MFZN		4
14	NO DISPON PARA ESTE MODELO				
15	NO DISPON PARA ESTE MODELO				
16	NO DISPON PARA ESTE MODELO				X
17	NO DISPON PARA ESTE MODELO				
18	NO DISPON PARA ESTE MODELO				
19	3012924000	HINGE *U *R AS	P/O T5.0 + PAINT		1
20	3012923900	HINGE *U *L AS	P/O T5.0 + PAINT		1
21	NO DISPON	SPECIAL BOLT *T	6X22 SWCH22A(YL)		6
22	3010657200	BRACKET ADJ FOOT	CODIGO COMPLETO: 3010658001		2
23	3012105100	FOOT ADJ AS			2
24	NO DISPON	SPECIAL BOLT *T	6X22 SWCH22A(YL)		2
25	NO DISPON PARA ESTE MODELO				1
27	3011447200	COVER CAB BRKT	COLOR: TSG5H		1
28	NO DISPON	SCREW TAPPING	T2 TRS 4X16 MFZN		3

- Some parts can be chaged for improving their performace without notice.
- Above parts number doesn't describe your own colour & printing. Please remind!

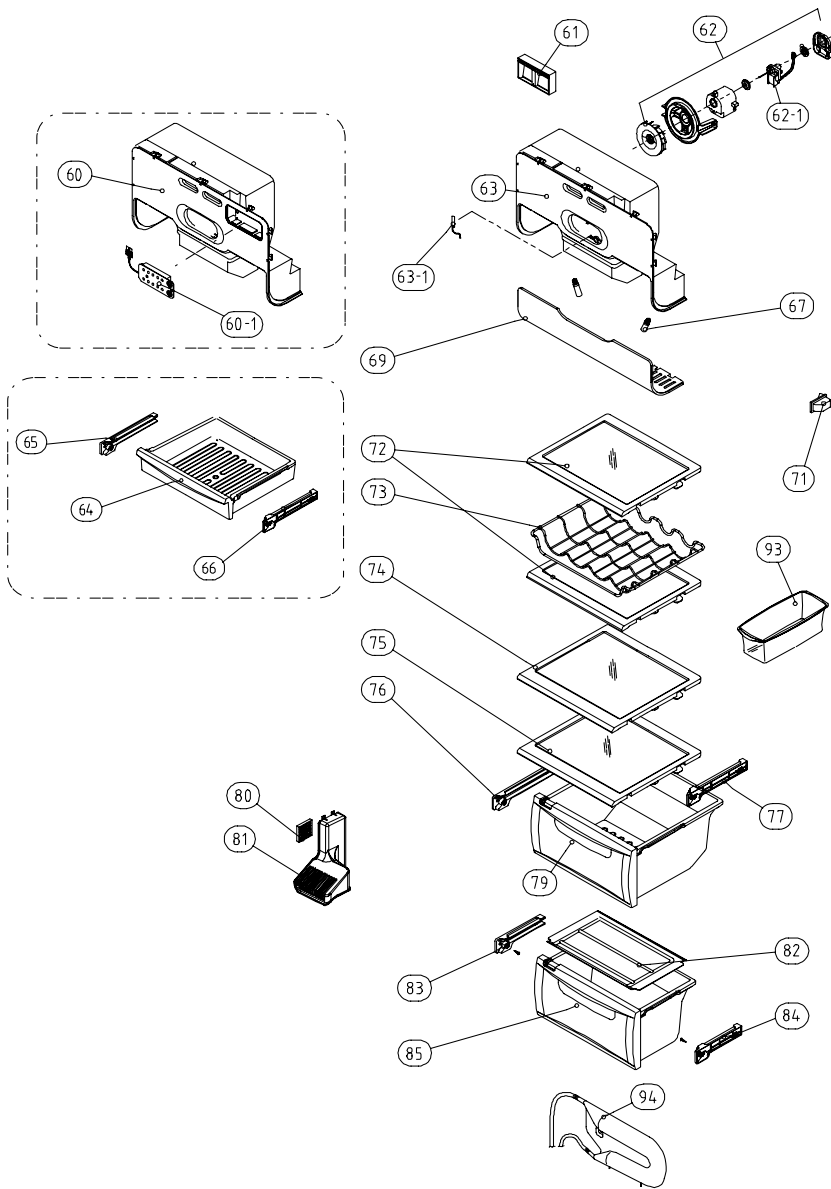
Date	A mendment Note



NO	PART-CODE	PART NAME	SPEC.	Q'ty	
				20BC	
29	NO DISPON	BASE COMP AS	FRU-5711	1	
30	NO DISPON	SPEICAL BOLT	T2 M6.5X20	4	
31	NO DISPON	CORD POWER AS		1	
32	NO DISPON	SCREW TAPPING	T1 TRS 4X12 MFZN	1	
33	NO DISPON	SCREW MACHINE	PAN 4X10 SW BSN1	1	
34	<b>3016401170</b>	CAPACITOR RUN		1	
35	<b>3956183D50</b>	COMPRESSOR		1	
36	NO DISPON	SPECIAL WASHER	SK-5, T0.8	3	
37	NO DISPON	ABSORBER COMP	NBR (R-134a)	4	
	NO DISPON	ABSORBER COMP AS	FRU-541D (R-600a)		
39	<b>3018129600</b>	SWITCH P RELAY AS		1	
40	NO DISPON	COVER RELAY		1	
41	<b>3011181300</b>	CASE VAPORI AS	PP	1	
42	<b>3013201710</b>	HOSE DRN B	PE FRB-5350NT	1	
43	NO DISPONIBLE PARA ESTE MODELO			x	
44	<b>3014461510</b>	PIPE WICON AS	TSW OD4.76XT0.7	1	
45	NO DISPON	FIXTURE MOTR	PP	1	
46	<b>3015916100</b>	MOTOR C FAN AS	DC-2213DWCA-3	1	
47	<b>3018500300</b>	M/BELL B	PP	1	
48	<b>3018500200</b>	M/BELL A	PP	1	
49	<b>3011834700</b>	FAN	ABS OD3.17XD150	1	
50	NO DISPON	CLAMP FAN	SUS 304	1	
51	<b>3016808100</b>	DRYER AS	C1220T	1	
52	<b>3011497000</b>	COVER MACH ROOM AS	SBHG T0.35	1	
53	NO DISPON	SCREW TAPPING	T1 TRS 4X12 MFZN	7	
95	<b>3017053500</b>	EVA AS	FRU-5711	1	
95-1	<b>3012818300</b>	HEATER SHEATH AS	AC220V/ 192W	1	
95-2	<b>3014806900</b>	SENSOR D AS	PBN-43	1	
95-3	NO DISPON	FIXTURE D SENS	PP	1	
95-4	<b>3017202000</b>	FUSE TEMP AS	AC250V 10A 77C	1	

- Some parts can be chaged for improving their perfomance without notice.  
 - Above parts number doesn't describe your own colour & printing. Please remind!

Date	A mendment Note

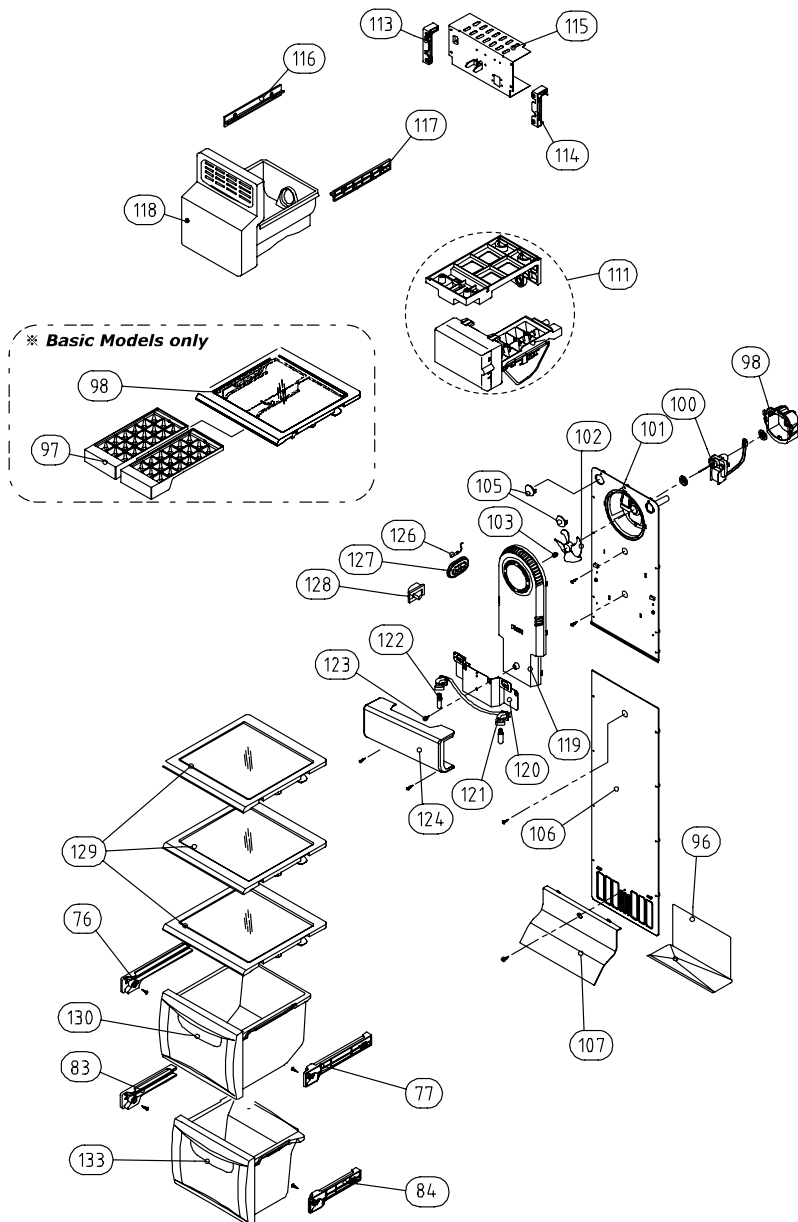


NO	PART-CODE	PART NAME	SPEC.	Q'ty	
				20BC	
60	NO DISPONIBLE PARA ESTE MODELO				
60-1	NO DISPONIBLE PARA ESTE MODELO				
61	3012205001	FRAME CHECK VALVE AS	FRU-5711	1	
62	3012024200	FIXTURE MOTR AS		1	
62-1	3015916000	MOTOR R FAN	D4612AAA20	1	
63	3011495100	COVER DAMP AS	FRU-541D	1	
63-1	3014807100	SENSOR R AS	PBN-43B	1	
64	3011185700	CASE CHILD	GPPS(CRYSTAL)	1	
65	3012514500	GUIDE CASE A *L AS	ABS	1	
66	3012514600	GUDIE CASE A *R AS	ABS	1	
67	3013602500	LAMP F/R	AC 240V 25W(S)	2	
69	3015510800	WINDOW R LAMP	MIPS	1	
71	3018124000	SWITCH DR	SP201R-7DR (R-134a)	1	
72	3017842820	SHELF INMOLDING R A AS	COMPATIBLE: 3017842810 / 301742800	2	
73	NO DISPONIBLE PARA ESTE MODELO			x	
74	3017843320	SHELF INMOLDING R C AS	COMPATIBLE: 3017843300	1	
75	3017842900	SHELF INMOLDING R B AS	COMPATIBLE: 3017842910	1	
76	3012514500	GUIDE CASE A *L AS	ABS	1	
77	3012514600	GUDIE CASE A *R AS	ABS	1	
79	3011114630	CASE VEGETB B AS	CASE (NANO) +FRAME	1	
80	3018701800	DEO ANTI AS	W40XT5XL40	1	
81	3011445900	COVER RETURN DUCT	PP	1	
82	3011446700	COVER VEGETB CASE B	GPPS	1	
83	3012529700	GUIDE CASE C *L AS	ABS	1	
84	3012529800	GUIDE CASE C *R AS	ABS	1	
85	3011114730	CASE VEGETB C AS	CASE (NANO) +FRAME	1	
93	3011171330	CASE EGG AS	CASE+TRAY+VINYL	1	
94	NO DISPONIBLE PARA ESTE MODELO			x	

- Some parts can be chaged for improving their performace without notice.

- Above parts number doesn't describe your own colour & printing. Please remind!

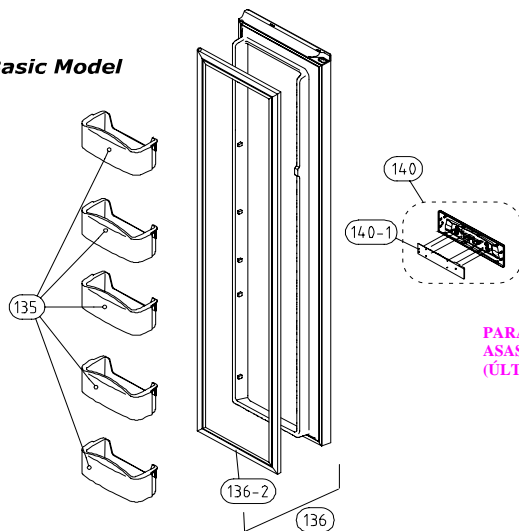
Date	A mendment Note



NO	PART-CODE	PART NAME	SPEC.	Q'ty	
				20BC	
76	3012514500	GUIDE CASE A *L AS	ABS	1	
77	3012514600	GUIDE CASE A *R AS	ABS	1	
83	3012529700	GUIDE CASE C *L AS	ABS	1	
84	3012529800	GUIDE CASE C *R AS	ABS	1	
96	NO DISPON	GUIDE DRN	GA	1	
97	3011186300	CASE ICE	PP	2	
98	3017842700	SHELF F ICE AS	FRAME+PRINTED GLASS+FIXTURE	1	
100	3015915900	MOTOR F FAN	D4612AAA21	1	
101	3018921300	LOUVER F A	ABS	1	
102	3011834500	FAN	ABS OD3.17XD130	1	
103	NO DISPON	CLAMP FAN	SUS 304	1	
105	3010968600	CAP F LOUVER B	HIPS	2	
106	3018921500	LOUVER F B AS	HIPS	1	
107	3011443200	COVER F RETURN	HIPS	1	
111	NO DISPONIBLE PARA ESTE MODELO				
113	NO DISPONIBLE PARA ESTE MODELO				
114	NO DISPONIBLE PARA ESTE MODELO				
115	NO DISPONIBLE PARA ESTE MODELO				x
116	NO DISPONIBLE PARA ESTE MODELO				
117	NO DISPONIBLE PARA ESTE MODELO				
118	NO DISPONIBLE PARA ESTE MODELO				
119	3001401700	COVER F FAN AS	FRU-571I	1	
120	NO DISPON	PLATE F LAMP	SGCC T0.8	1	
121	3017906600	SOCKET F LAMP AS	FRU-571I	1	
122	3013602500	LAMP F/R	AC 240V 25W(S)	2	
124	3015510700	WINDOW F LAMP	MIPS	1	
126	3014807000	SENSOR F AS	PT-38	1	
127	3011442600	COVER F SENS	ABS	1	
128	3018124010	SWITCH DR	SP201R-7DR (R-134a)	1	
129	3017842600	SHELF F AS	COMPATIBLE: 3017842610	3	
130	3011114830	CASE F A AS	CASE (NANO) +FRAME	1	
133	3011114930	CASE F B AS	CASE (NANO) +FRAME	1	

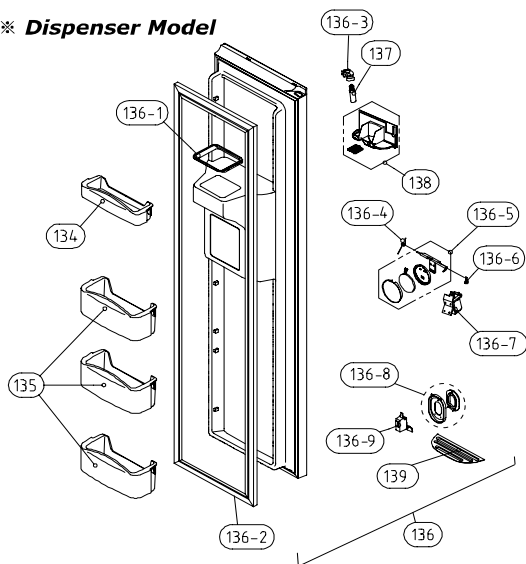
- Some parts can be changed for improving their performance without notice.  
 - Above parts number doesn't describe your own colour & printing. Please remind!

※ **Basic Model**



PARA VER EL CONJUNTO DE ASAS IR A PÁGINA DE ASAS (ÚLTIMA PÁGINA)

※ **Dispenser Model**

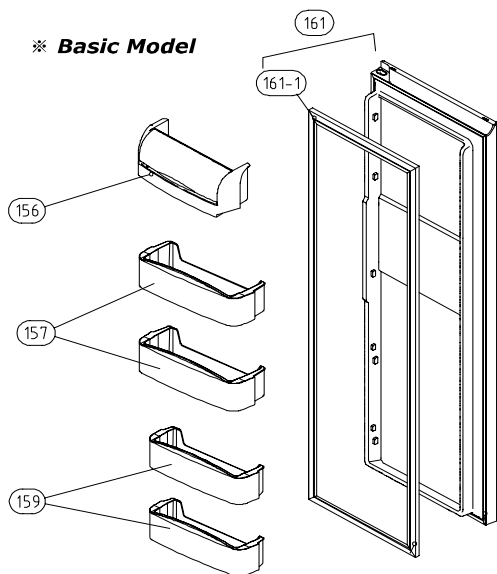


NO	PART-CODE	PART NAME	SPEC.	Q'ty	
				20BC	
134	NO DISPONIBLE PARA ESTE MODELO			X	
135	3019026600	POCKET F	HIPS	5	
136	3000067660TSG5H	ASSY F DR	FRU-579B, TITANIUM PCM COLOR:TSG5H BASIC MODEL	1	
136-1	NO DISPONIBLE PARA ESTE MODELO			X	
136-2	3012318810	GASKET F DR AS	COMPATIBLE: 3012318800	1	
136-3	NO DISPONIBLE PARA ESTE MODELO			X	
136-4	NO DISPONIBLE PARA ESTE MODELO			X	
136-5	NO DISPONIBLE PARA ESTE MODELO			X	
136-6	NO DISPONIBLE PARA ESTE MODELO			X	
136-7	NO DISPONIBLE PARA ESTE MODELO			X	
136-8	NO DISPONIBLE PARA ESTE MODELO			X	
136-9	NO DISPONIBLE PARA ESTE MODELO			X	
137	NO DISPONIBLE PARA ESTE MODELO			X	
138	NO DISPONIBLE PARA ESTE MODELO			X	
139	NO DISPONIBLE PARA ESTE MODELO			X	
140	3001401040TSG5H	COVER F PCB AS	COLOR: TSG5H	1	
140-1	30143E1110	PCB FRONT AS	FR-S570ERB	1	
145	MIRAR PÁG. ASAS	FIXTURE HNDL SUPORT *T	HIPS	1	
146	MIRAR PÁG. ASAS	FIXTURE HNDL SUPORT *M	HIPS	1	
147	MIRAR PÁG. ASAS	SUPPORTER HNDL *U	1 TRS 4*12 MFZN	4	
148	MIRAR PÁG. ASAS	HANDLE BAR AS	FR-S580DYB	1	
149	MIRAR PÁG. ASAS	SPECIAL SCREW HNDL	WASR+ TRS5X16 MFZN	4	
150	MIRAR PÁG ASAS	SCREW MACHINE	ABS(SPRAY)	1	

- Some parts can be chaged for improving their perfomance without notice.  
 - Above parts number doesn't describe your own colour & printing. Please remind!

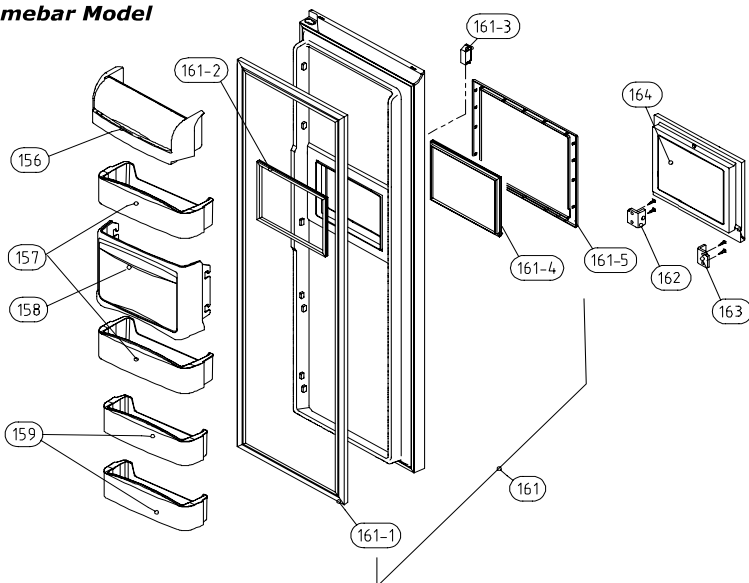
Date	A mendment Note

※ Basic Model



PARA VER EL CONJUNTO DE ASAS IR A PÁGINA DE ASAS (ÚLTIMA PÁGINA)

※ Homebar Model

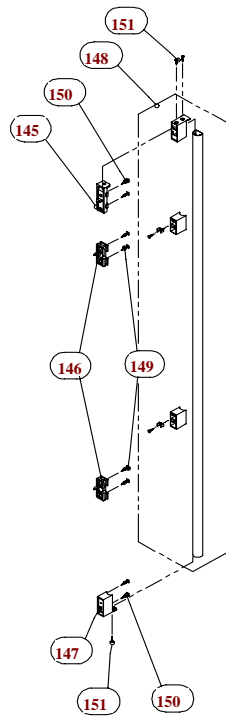


NO	PART-CODE	PART NAME	SPEC.	Q'ty	
				20BC	
145	MIRAR PÁG. ASAS	FIXTURE HNDL SUPORT *T	HIPS	1	
146	MIRAR PÁG. ASAS	FIXTURE HNDL SUPORT *M	HIPS	1	
147	MIRAR PÁG. ASAS	SUPPORTER HNDL *U	T1 TRS 4*12 MFZN	4	
148	MIRAR PÁG. ASAS	HANDLE BAR AS	FR-S580DYB	1	
149	MIRAR PÁG. ASAS	SPECIAL SCREW HNDL	WASR+TRS5X16 MFZN	4	
150	MIRAR PÁG. ASAS	SCREW MACHINE	ABS(SPRAY)	1	
156	3019027500	POCKET DAIRY AS	FRU-571I	1	
157	3019026800	POCKET R	HIPS	2	
158	NO DISPONIBLE PARA ESTE MODELO			x	
159	3019026900	POCKET R *S	HIPS	2	
161	3000067770TSG5H	ASSY R DR	FRU-579B, TITANIUM PCM	1	
161-1	3012318910	GASKET R DR AS	COMPATIBLE: 3012318900	1	
161-2	NO DISPONIBLE PARA ESTE MODELO				
161-3	NO DISPONIBLE PARA ESTE MODELO				
161-4	NO DISPONIBLE PARA ESTE MODELO				
161-5	NO DISPONIBLE PARA ESTE MODELO				
162	NO DISPONIBLE PARA ESTE MODELO				
163	NO DISPONIBLE PARA ESTE MODELO				
164	NO DISPONIBLE PARA ESTE MODELO				

- Some parts can be chaged for improving their performace without notice.  
 - Above parts number doesn't describe your own colour & printing. Please remind!

Date	Amendment Note





NO	PART-CODE	PART NAME	SPEC.	Q'ty	
					20GB
145	3012027200	FIXTURE HNDL SUPORT *T	HIPS		1
146	3012018700	FIXTURE HNDL SUPORT *M	HIPS		2
147	3015311500	SUPPORTER HNDL *U	ABS+SPRAY		1
150	NO DISPONI	SCREW MACHINE	TRS 4X10 MFZN		4
149	NO DISPONI	SPECIAL SCREW HNDL	M5X20		4
148	3012645300	HANDLE BAR AS	FRU-577/547		1

151	NO DISPONI	SPECIAL SCREW FRAME	4X14, S18C		2

- Some parts can be changed for improving their performance without notice.
- Above parts number doesn't describe your own colour & printing. Please remind!

Date	Amendment Note