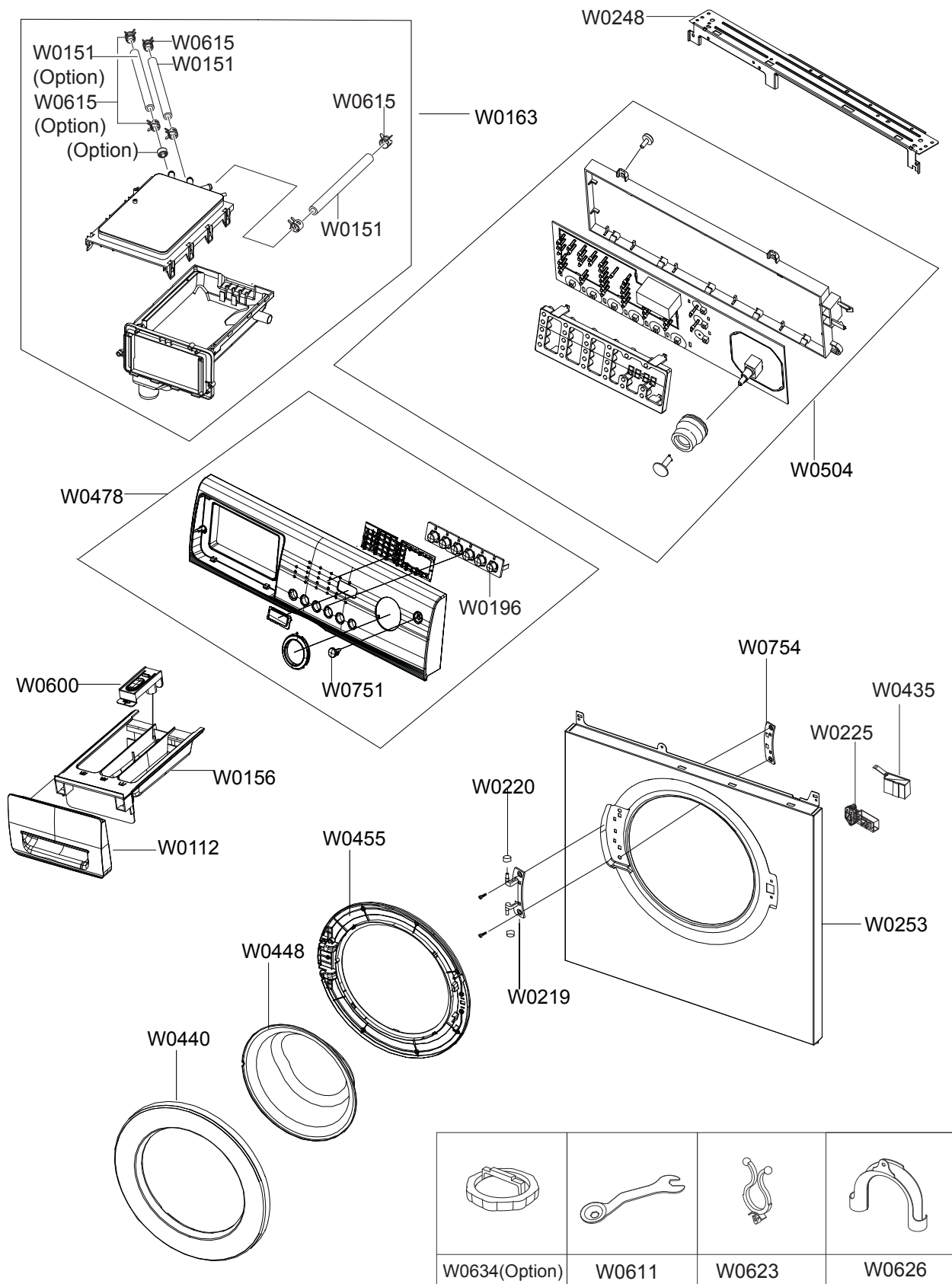


# 7. EXPLODED VIEWS AND PARTS LIST

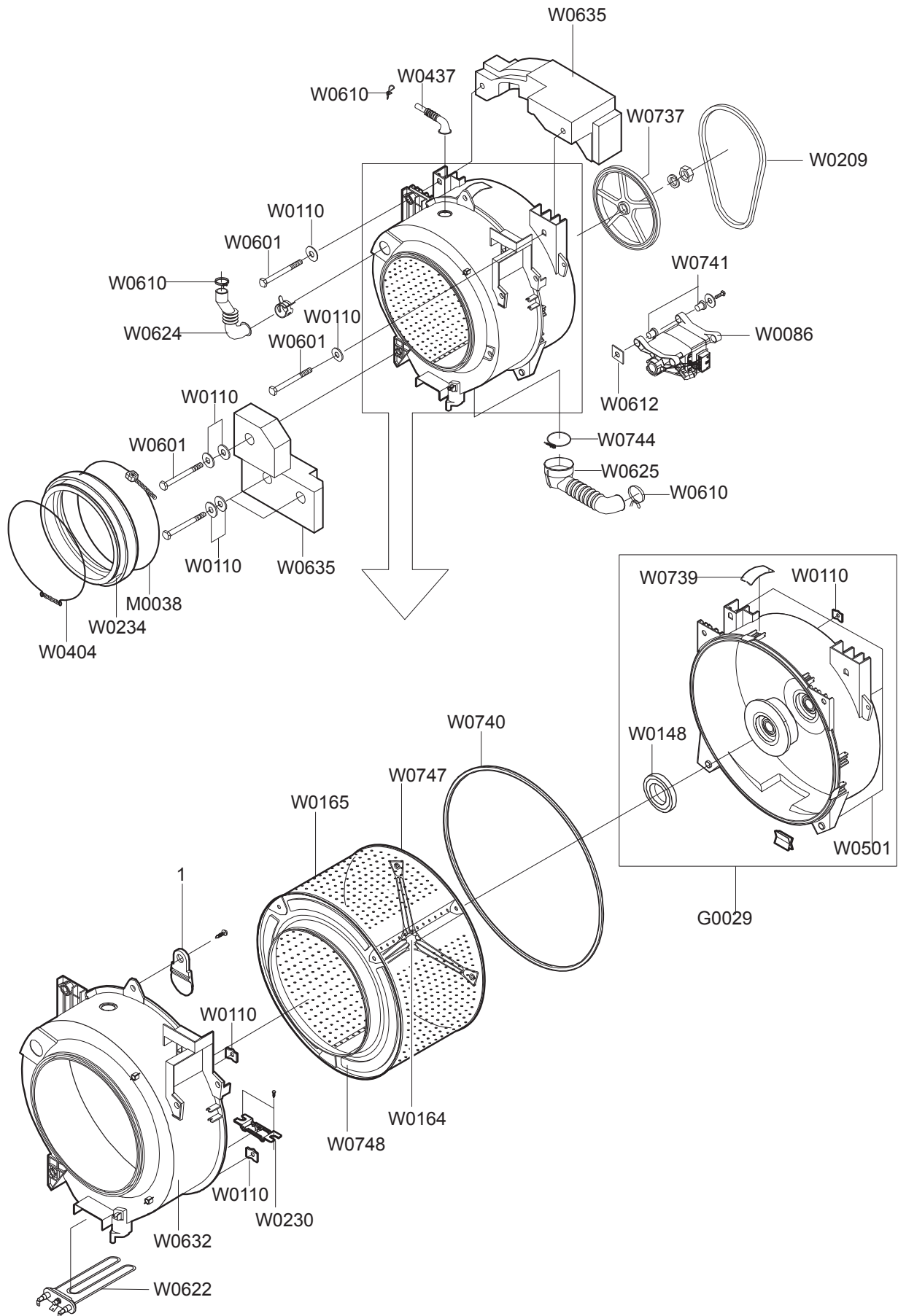
## 7-1. EXPLODED VIEWS OF TOP(FRONT)



**MODEL CODE: WF7602NAW/XEC**Service Bom (**SA**: SERVICE AVAILABLE, **SNA**: SERVICE NOT AVAILABLE)

SVC Code	Code No.	Description	Specification	QTY	Un	SA/SNA
W0611	DC60-40146A	BOLT-SPANER	-,CR,-,T2.5,OD36,-,-,-,-	1	PC	SA
W0600	DC61-02139A	STOPPER-DRAWER	STANDARD MODEL,PP-TD30,T2	1	PC	SA
W0156	DC61-02159A	BODY-DRAWER	T-PJT/STANDARD-TYPE,PP,T2.0,	1	PC	SA
W0626	DC62-10278A	HOSE-HANGER	PUMP MODEL,PP,BLK,RM60 RESIN	1	PC	SA
W0112	DC64-01266A	PANEL-DRAWER	WF-C863,ABS,T2.5,-,-,-,WHT,	1	PC	SA
W0615	DC61-00219B	CLAMPER HOSE	SK5,WLSL1100A,ID24 OD26.4,Z	1	PC	SNA
W0478	DC97-15408C	ASSY PANEL CONTROL	KT,WF7602NAW/XEC,-,-,	1	PC	SA
W0751	DC64-01260A	BUTTON-PUSH(P)	WF-C863,ABS,-,-,WHT,KT-PJ	1	PC	SA
W0196	DC64-01261A	BUTTON-PUSH(F)	WF-C863,ABS,-,-,WHT,KT-PJ	1	PC	SNA
W0504	MFS-KTB2NPH-02	ASSY-PCB PARTS(M)	MFS-KTB2NPH-02	1	PC	SA
W0615	DD65-00001F	CLAMPER HOSE	HSWR,D10.5/T1.2	1	PC	SNA
W0440	DC63-00980A	COVER-DOOR	WF8704SDW,ABS,T2.5,OD428,WHT,	1	PC	SA
W0455	DC97-15476A	ASSY-HOLDER GLASS	ADONIS&KT,WF8704SDW,-,	1	PC	SA
W0220	DC61-00891A	GUIDE-HINGE	HAUZEN(DOM),POM,-,-,-,WHT,HI	4	PC	SA
W0754	DC61-01578B	BRACKET-HOLDER	KT&TD MODEL,SK5,T1.2,-,-,	1	PC	SA
W0219	DC61-02256A	HINGE-DOOR	WF8704SDW,ALDC,T2.3,-,-,-,A	1	PC	SA
W0448	DC61-20207A	DOOR-GLASS	Q1636GW/XEU,NON-HeatTreatment	1	PC	SA
W0435	DC63-00967A	COVER-DOOR SWITCH	AEGIS-PJT/ WF8500NHW,P	1	PC	SA
W0225	DC64-01538A	DOOR-LOCK S/W	ZV-446L5,PA66,T19.5,W95,BL	1	PC	SA
W0163	DC97-12026A	ASSY HOUSING DRAWER	B/P MODEL,2 WAY/COLD	1	PC	SA
W0615	DC61-01136A	CLAMPER HOSE	F1235J,SK5,T1.0/ID14.8,WHT	4	PC	SNA
W0151	DC67-00051D	HOSE-DRAWER	S1093~S6093,EPDM,BLK,SLIM-PJ	1	M	SA
W0248	DC61-01639A	FRAME-PLATE(U)	WF-C863,GI,-,-,-,T1.2,-,-	1	PC	SA
W0253	DC97-11235F	ASSY FRAME FRONT	ADONIS,WF8704SDW/XEG,EG	1	PC	SA
W0623	DC61-00995A	HOLDER-WIRE	DAWH,NYLON,-,H45,-,NTR(PI27)	1	PC	SNA
W0615	DC61-60359E	CLAMPER HOSE	F1235AS/F1035AS,SK5,-,ID7.8	1	PC	SA
W0615	DC61-01136A	CLAMPER HOSE	F1235J,SK5,T1.0/ID14.8,WHT	1	PC	SNA
W0615	DC65-00019A	CLAMPER HOSE	DRUM W/M,SK5,D34/H4/T1.5	2	PC	SA

7-2. EXPLODED VIEWS OF TUB



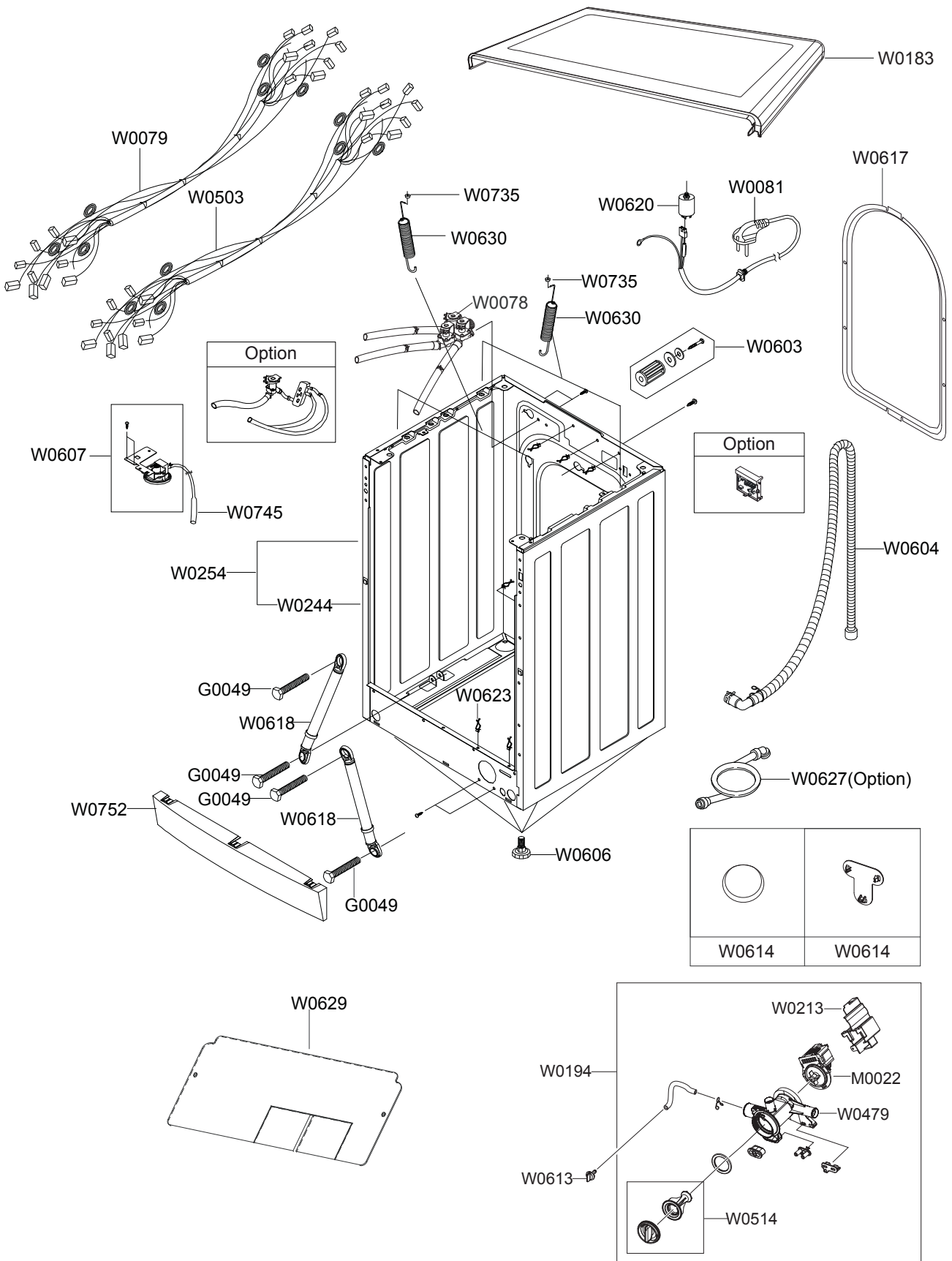
**MODEL CODE: WF7602NAW/XEC**

Service Bom (SA: SERVICE AVAILABLE, SNA: SERVICE NOT AVAILABLE)

SVC Code	Code No.	Description	Specification	QTY	Un	SA/SNA
W0610	DC65-60118K	CLIP-RING	HSWR,PI2.0,ID18,OD22,YEL	1	PC	SA
W0209	6602-001497	BELT-TIMING GEAR	-,RUBBER(GATES),T3.4,-,	1	PC	SA
W0086	DC31-00002F	MOTOR UNIVERSAL-DRUM	HXGM4I,0~17000,-,22	1	PC	SA
W0622	DC47-00013B	HEATER	-,Q2-PJT,-,2000W,8.7A,230,26,D1.3	1	PC	SA
W0110	DC60-60044A	WASHER-PLAIN	-,ID10.5,OD30,T3,-,STS304	2	PC	SA
W0612	DC61-00201A	BRACKET-NUT	P1291,SBHG-R,T3,NO-PAINT/MOT	1	PC	SA
W0632	DC61-30346J	TUB-FRONT	P-PJT,FRPP-GF15%,-,-,NTR,SSEC	1	PC	SA
W0148	DC62-00008A	SEAL-OIL	NBR,BLK,NBU(PI15)	1	PC	SA
W0737	DC66-10176B	PULLEY	P1291,ALDC12,NATURAL,T2.4,ID12.5	1	PC	SA
W0635	DC66-60153B	WEIGHT-BALANCER	WF-B1061EW/XSE,CONCRETE,	1	PC	SA
W0165	DC97-01463F	ASSY DRUM	P1205/KRNJM,LEFTER TYPE/NEW-DR	1	PC	SA
W0747	DC66-10178A	DRUM-BACK	SWF-P12,STS430,-,-,-,T0.5	1	PC	SA
W0164	DC97-01115A	ASSY FLANGE SHAFT	1000/1200RPM,ALDC+SM45	1	PC	SA
W0748	DC66-10179B	DRUM-FRONT	SB-PJT,STS430,-,-,-,T0.4	1	PC	SA
W0601	DC97-02412J	ASSY BOLT	R-PJT,SK5/ID7.5/OD15.4/T2,-,-,	1	PC	SA
W0601	DC97-02412K	ASSY BOLT	S-PJT,SK5/ID7.5/OD15.4/T2,-,-,	2	PC	SA
W0601	DC97-02412M	ASSY BOLT	B-PJT,SK5/ID7.5/OD15.4/T2,-,-,	3	PC	SA
W0739	DC61-60499B	CLIP-TUB	HSWR,P1291,-,NO/PAINT,	8	PC	SA
W0739	DC61-60520A	CLIP-TUB	SK5,SWF-P12,-,PLATE-TYPE,	1	PC	SA
W0501	DC97-00214E	ASSY TUB BACK	SWF-P12/10,BACK/1200/INSID	1	PC	SA
W0740	DC62-40183A	PACKING-TUB	SWF-P12,EPDM,-,-,-,-,BLK,-	1	PC	SA
W0741	DC61-00041A	CUSHION-MOTOR	SWF-6V,BUTYL,-,-,-,ID16/OD	1	PC	SA
W0625	DC62-10304A	HOSE-FILTER TUB	EPDM,66,L151,BLK,SWF-P12	1	PC	SA
W0744	DC61-60497A	CLAMPER HOSE-JOINT	SWF-P12,HSWR,-,ID70/O	1	PC	SA
W0610	DC65-60125A	CLIP-RING	HSWR,T2.4,W36.5,YEL	1	PC	SNA
M0038	DC91-12077D	ASSY CLAMP DIA-PHRAGM	WF-B853/XSC,TUB,-,S	1	PC	SA
W0110	6031-001526	WASHER-PLAIN	SBHG1-A,-,ID4.0,OD10,T1.0,W	1	PC	SNA
W0404	DC66-00432A	WIRE-DIAPHRAGM	WF-B853/XSC,HSWR,-,OD2,L1	1	PC	SNA
W0230	DC61-01447A	BRACKET-HEATER	V7,STS430,T0.6mm,W30mm,L1	1	PC	SNA
W0624	DC67-00285A	HOSE-DRAWER TUB	JUMP2-MODEL,EPDM,ID40,OD	1	PC	SA
W0437	DC67-00205A	HOSE-AIR	ALL-MODEL,EPDM,ID16,OD33,T1.7,L	1	PC	SA
	DC66-00439A	VANE-CHECK	ALL-MODEL,EPDM,-,-,BLK,-	1	PC	SNA
W0610	DC65-60118P	CLIP-RING	WF-F105AV,HSWR,T2.6,WHT,ID31	1	PC	SA

SVC Code	Code No.	Description	Specification	QTY	Un	SA/SNA
W0234	DC61-20219A	DOOR-DIAPHRAGM	EPDM,-,-,-,-,-,GRY,SWF-	1	PC	SA
G0029	DC97-10977X	ASSY SEMI TUB BACK	UG-KT,WF7602NAW/XEN	1	PC	SA
W0635	DC66-60154B	WEIGHT-BALANCER	WF-B1061EW/XSE,CONCRETE,	1	PC	SA

7-3. EXPLODED VIEWS OF CASE



**MODEL CODE: WF7602NAW/XEC**

Service Bom (SA: SERVICE AVAILABLE, SNA: SERVICE NOT AVAILABLE)

SVC Code	Code No.	Description	Specification	QTY	Un	SA/SNA
G0049	DC60-40144A	BOLT-HEX	SM10C,L35,ZPC2(YEL),M10,ZPC2(YE	2	PC	SA
W0613	DC61-10673A	CAP-DRAIN	SWF-P12,PP,-,-,-,WHT,-	1	PC	SA
W0614	DC61-10688A	CAP-FIXER	SWF-P12,PP,WHT,TB53	5	PC	SA
W0627	DC62-10289C	HOSE-WATER(C)	RUSSIA,PVC+NYLON,ID10.3,-,	1	PC	SA
W0617	DC63-00414B	COVER-BACK	SEW-3HR103BT,GI,T0.4,-,-,-,-,	1	PC	SA
W0213	DC63-00951A	COVER-PUMP	COVER-PUMP,PP,T2.5,W65,L140,V	1	PC	SA
W0614	DC67-00208A	CAP-FIXER	J1453GW/XEU,PP,T1.5,NTR	1	PC	SA
W0603	DC91-12102A	ASSY FIXER TUB	-,SWF-P12,-,-,-,-	5	PC	SC
G0049	DC60-40142A	BOLT-HEX	SM10C/FIXER,HEX,M7,L88.4,-,ZPC2	5	PC	SNA
W0604	DC97-14291B	ASSY HOSE DRAIN(O)	UG-KT/TROIKA/GERMANY,	1	PC	SA
W0752	DC63-00715A	COVER-FRONT(L)	C863,ABS,-,-,L592,-,-,WHT	1	PC	SA
W0081	DC96-00146A	ASSY POWER CORD	UCP2,250V/16A,-,1500/EUR	1	PC	SA
W0194	DC96-01336X	ASSY PUMP DRAIN	ALL,WF-F1061,220V 50Hz,A	1	PC	SNA
M0022	DC31-30008D	PUMP-DRAIN	SW-70XP,220/240V,50Hz,SYNCHRO	1	PC	SA
W0514	DC97-15785A	ASSY CASE FILTER	TRIUMPH/CATS/TROIKA,GER	1	PC	SA
W0479	DC61-01674E	CASE-PUMP	WF7600SUV/XEO,PP,T2.5,W65,L94,	1	PC	SA
W0735	DC61-60180A	SLEEVE-PLUG	SEW-720DR,NTR	3	PC	SA
W0607	DC97-00731A	ASSY SENSOR PRES-SURE	P1091,S-PRE+BRAKET	1	PC	SA
W0078	DC62-00024F	VALVE-WATER	B1215J,NYLON66/250TRMN,NTR,2	1	PC	SA
W0183	DC97-13010B	ASSY COVER TOP	WF7602SAV/YLP(WHT),WF7602	1	PC	SA
W0620	DC29-00009C	FILTER EMI	DFC-2715R,P/PV/P2,250V,15,PI3	1	PC	SA
W0630	DC61-70216H	SPRING ETC-HANGER	P1271GW/XEG,SWRH,CD3.5	1	PC	SNA
W0630	DC61-70217E	SPRING ETC-HANGER	WF-B126NV/XEG,SWRH,CD3	2	PC	SA
W0254	DC99-00721Q	ASSY PAINT FRAME	KT,P1471GW,SSEC/KT P GE	1	PC	SA
W0629	DC61-20235A	SHUTTER	DANPLA-BB110,WHT	1	PC	SA
W0623	DC61-40081A	HOLDER-WIRE	DAWH-2NC,PA,NTR(PI19.4)	2	PC	SA
W0606	DC97-14289A	ASSY LEG	ALL MODEL,Φ39 NUT-HEX FLANGE,-,	4	PC	SA
W0244	DC61-01544A	FRAME	6kg,GA,T1.0,W598,L803,550mm/NEW-FR	1	PC	SNA
W0618	DC66-00343G	DAMPER-SHOCK	GW-PJT,STEEL+PP+RUBBER,100N	2	PC	SA
W0503	DC96-01169B	ASSY WIRE HARNESS	KT-CIS-SUB WIRE,WF7602	1	PC	SA
W0745	DC62-10311A	HOSE-PRESSURE	-,EPDM,ID13.5,-,-,-,BLK,SW	1	PC	SA

## 1-4. PARTS LIST (OTHERS PARTS)

### MODEL CODE: WF7602NAW/XEC

Service Bom (SA: SERVICE AVAILABLE, SNA: SERVICE NOT AVAILABLE)

SVC Code	Code No.	Description	Specification	QTY	Un	SA/SNA
W0110	DC60-60044B	WASHER-PLAIN	-,SBC,ID8.4/OD30,T2.0,-,-,-	5	PC	SA
W0750	DC60-60040A	FASTENER-WASHER	-,ID10.5,OD32,T2,-,PBSP-	5	PC	SA
W0753	DC63-00450A	COVER-FRONT	S821,PP,T1.8,-,-,-,-,WHT,GUI	1	PC	SA
W0608	DC91-12078A	ASSY WIRE DIAPHRAGM	SWF-P12,FRAME-FRONT,	1	PC	SA
W0217	DC64-00564A	HANDLE-PIN	Q1636GW/XEU,STS,-,-,-,-,-,TS-	1	PC	SA
W0447	DC64-01822A	HANDLE-DOOR	WF8752N9P/XSC,POM,T2.0,-,L68	1	PC	SA
W0474	DC66-00533A	LEVER-DOOR	WF8752N9P/XSC,ZNDC,T5.7,W20,L	1	PC	SA
W0766	DD60-50018A	NUT-FLANGE	MSWR10,M5XP0.8,FZY	2	PC	SA
W0079	DC93-00085H	ASSY M. WIRE HARNESS	TRIUMPH,WF8700NAVU/	1	PC	SA
W0616	DC61-00133A	CLAMPER HOSE-FIX	P1291,PP,ID24.5,OD29.5,	2	PC	SA
W0654	DC60-00018A	RIVET-PLATE	-,MSWR,D3.9,-,-,L30,WHT,-,-	4	PC	SA
G0049	DC60-40141A	BOLT-HEX	SM10C/DAMPER,HEX,M8,L66,-,ZPC2(	2	PC	SA
W0234	DC61-20219A	DOOR-DIAPHRAGM	EPDM,-,-,-,-,-,-,GRY,SWF-	1	PC	SA
W0746	6011-001492	BOLT-FLANGE	M8,L25,PASS,STS304,NYLOCK,P1	3	PC	SA
W0749	DC97-13901A	ASSY DRUM LIFTER	B MODEL,SSEC/B MODEL,-,	3	PC	SA
W0619	DC66-00455A	DRUM-LIFTER	WD-B1268S,PP,-,-,-,-,VIEW-PJ	3	PC	SA
W0612	DC61-40348B	BRACKET-NUT	P1291,SBHG-R,T3,NO-PAINT	2	PC	SA
W0609	DC96-00171A	ASSY WIRE EARTH	P-PJT(DRUM),-,-,WIRE/UL1	1	PC	SA
W0742	DC61-10676A	CAP-TRAP	SWF-P12,PP(TB53),-,-,-,-,-,	1	PC	SA
W0612	DC61-40348B	BRACKET-NUT	P1291,SBHG-R,T3,NO-PAINT	5	PC	SA
G0054	DC63-10003C	ABSORBER SPONGE	SWF-P12,PU-FOAM,GRY	1	PC	SA
M0012	DC60-50148B	NUT-HEX	SM20C(NYLON),M12,-,-,ZPC3(YEL),-	1	PC	SA
W0235	DC63-00651A	COVER-HEATER	Q1657TGW/XEU,GI,T0.4,-,-,-,	1	PC	SA
W0736	DC97-00125A	ASSY HOUSING BEARING	SWF-P12V,-,-,-,-,-	1	PC	SA
W0235	DC63-00845A	COVER-HEATER	ALL MODEL,ABS,T2.5,NTR,5VA	1	PC	SA



## 1-5. SCREW LISTS

### MODEL CODE: WF7602NAW/XEC

Service Bom (SA: SERVICE AVAILABLE, SNA: SERVICE NOT AVAILABLE)

SVC Code	Code No.	Description	Specification	QTY	Un	SA/SNA
W0085	6001-000592	SCREW-MACHINE	TH,+,-,M4,L8,ZPC(WHT),SWRC	1	PC	SNA
W0105	6002-000520	SCREW-TAPPING	TH,+,-,2,M4,L12,ZPC(WHT),S	9	PC	SNA
W0105	6002-001006	SCREW-TAPPING	TH,+,-,2S,M4,L12,PASS,STS4	2	PC	SNA
W0105	6006-001174	SCREW-TAPPING	TH,+WE,2S,M4,L12,ZPC(WHT)	11	PC	SNA
W0102	6009-001343	SCREW-SPECIAL	PH,TORX,M4,L10,ZPC(WHT),SW	1	PC	SNA
W0105	6002-000630	SCREW-TAPPING	PH,+NO,2S,M3,L8,ZPC(WHT),	2	PC	SNA
W0105	6002-001436	SCREW-TAPPING	PH,+2,M4,L18,ZPC(WHT),SWR	1	PC	SNA
F0056	6003-001768	SCREW-TAPTYPE	TH,+WT,S,M4,L10,ZPC(WHT),	2	PC	SNA
W0105	6002-001436	SCREW-TAPPING	PH,+2,M4,L18,ZPC(WHT),SWR	3	PC	SNA
W0085	6001-001773	SCREW-MACHINE	TH,+,-,M5,L12,PASS,STS430,	2	PC	SA
W0105	6002-000471	SCREW-TAPPING	TH,+,-,1,M4,L12,PASS,STS30	2	PC	SNA
W0105	6002-001286	SCREW-TAPPING	FH,+,-,1,M4,L16,PASS,STS43	9	PC	SNA
W0105	6002-001306	SCREW-TAPPING	TH,+1,M4,L14,ZPC(WHT),SWR	8	PC	SNA
W0105	6002-000445	SCREW-TAPPING	TH,+2,M4,L18,PASS,STS304	3	PC	SNA
W0105	6006-001174	SCREW-TAPPING	TH,+WE,2S,M4,L12,ZPC(WHT)	3	PC	SNA
W0105	6002-000630	SCREW-TAPPING	PH,+NO,2S,M3,L8,ZPC(WHT),	2	PC	SNA
W0102	6009-001342	SCREW-SPECIAL	TH,+,-,M5,L11,ZPC(WHT),SWR	2	PC	SNA
W0105	6002-001327	SCREW-TAPPING	PWH,+1,M4,L12,ZPC(WHT),SW	2	PC	SNA
F0056	6003-001768	SCREW-TAPTYPE	TH,+WT,S,M4,L10,ZPC(WHT),	3	PC	SNA
W0105	6006-001174	SCREW-TAPPING	TH,+WE,2S,M4,L12,ZPC(WHT)	2	PC	SNA
W0105	6002-001327	SCREW-TAPPING	PWH,+1,M4,L12,ZPC(WHT),SW	2	PC	SNA
W0105	6002-001006	SCREW-TAPPING	TH,+,-,2S,M4,L12,PASS,STS4	1	PC	SNA
F0056	6003-001768	SCREW-TAPTYPE	TH,+WT,S,M4,L10,ZPC(WHT),	1	PC	SNA
W0105	6002-000444	SCREW-TAPPING	TH,+2,M4,L14,PASS,STS430	2	PC	SNA
W0105	6002-000520	SCREW-TAPPING	TH,+,-,2,M4,L12,ZPC(WHT),S	2	PC	SNA
W0105	6002-001006	SCREW-TAPPING	TH,+,-,2S,M4,L12,PASS,STS4	3	PC	SNA
W0105	6002-001327	SCREW-TAPPING	PWH,+1,M4,L12,ZPC(WHT),SW	1	PC	SNA