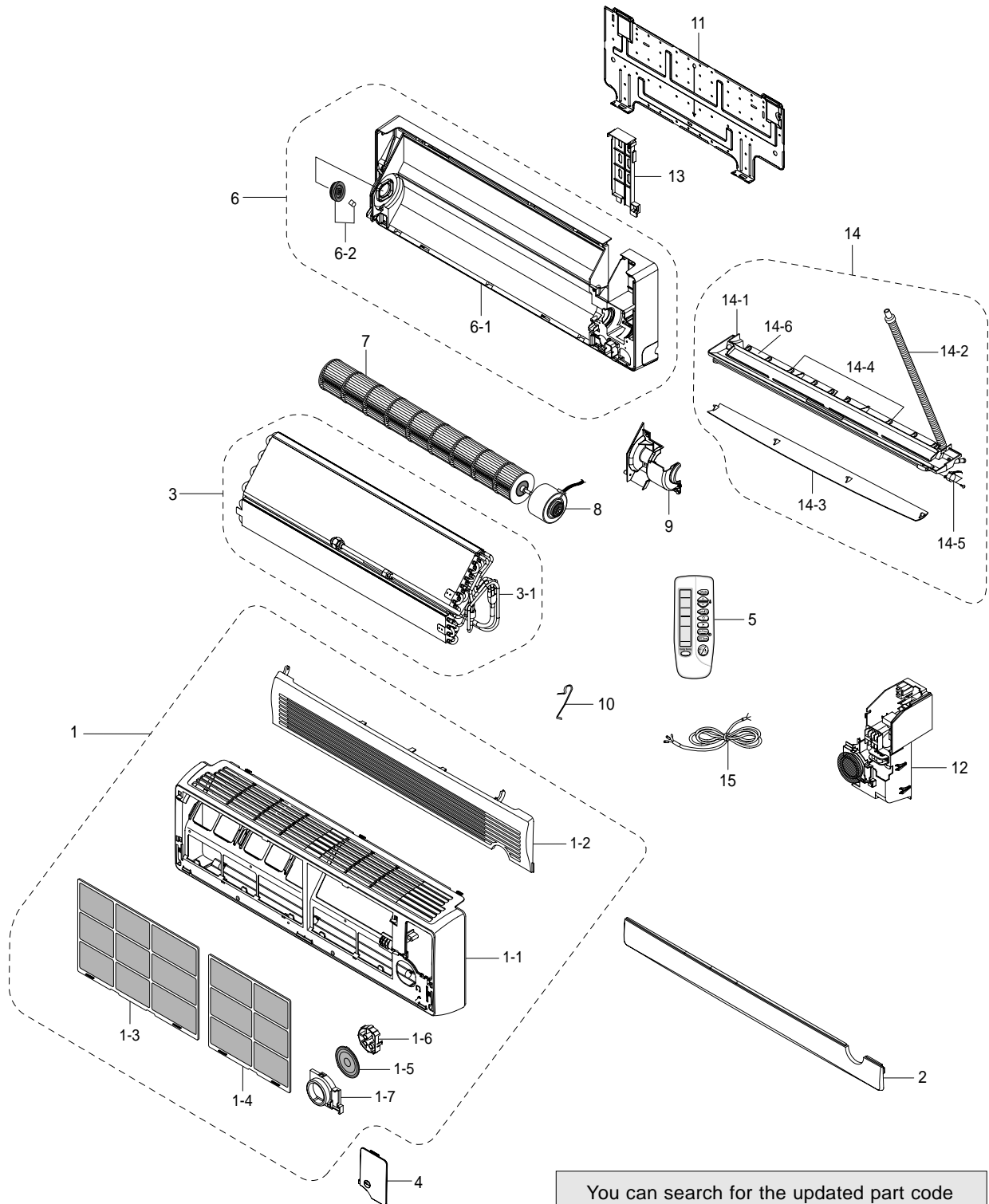


7. Exploded Views and Parts List

7-1 Indoor Unit

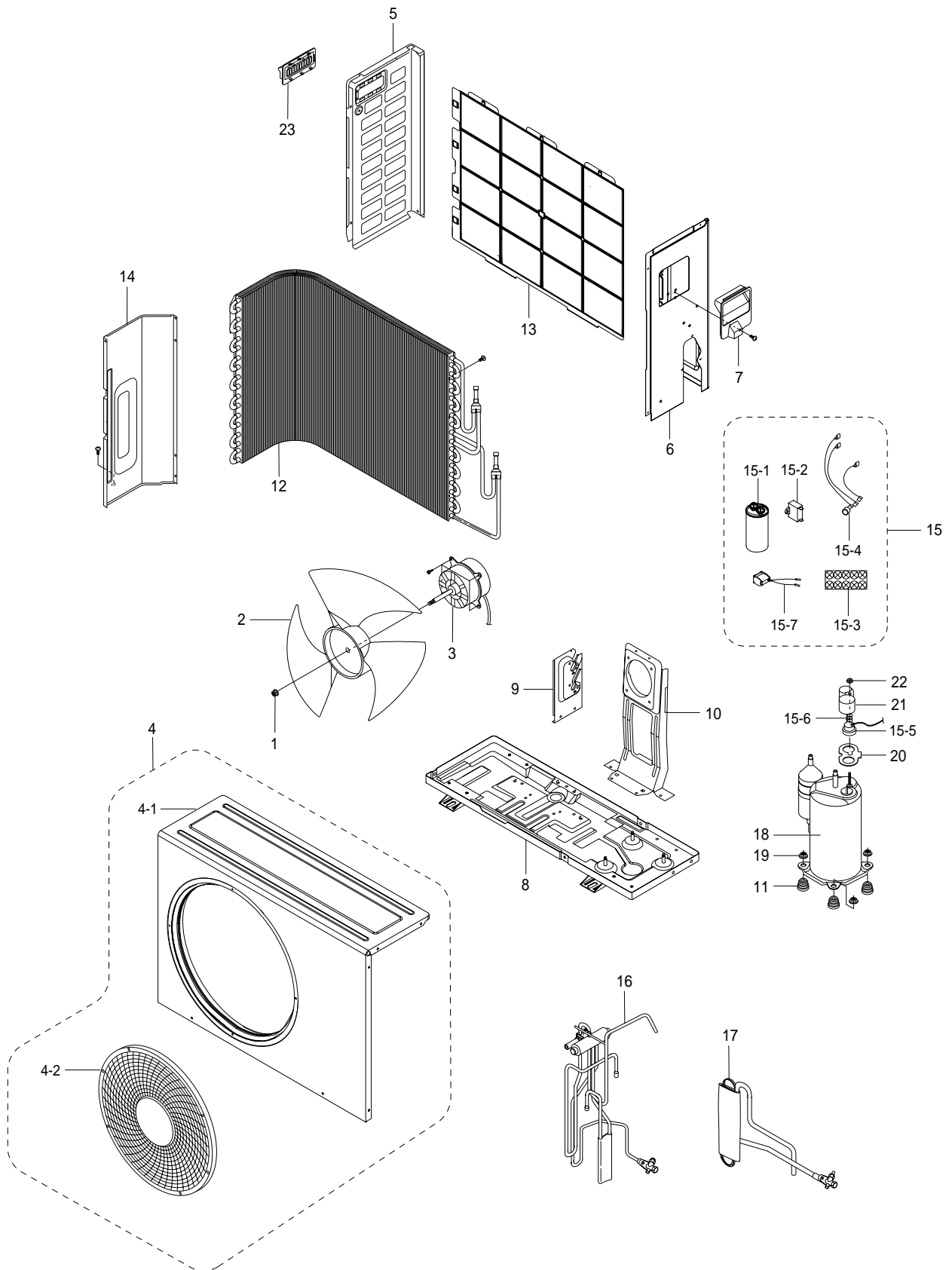


You can search for the updated part code number through the ITSELF.
URL : <http://itself.sec.samsung.co.kr>

■ Parts List

No.	Code No.	Description	Specification	Q'TY			Remark
				SH07AS2 SH07AS2A	SH09AS2	SH12AS4	
1	DB92-00574A	ASS'Y PANEL FRONT TOTAL	ASS'Y	-	-	1	
	DB92-00582A	ASS'Y PANEL FRONT TOTAL	ASS'Y	1	1	-	
1-1	DB92-00575A	ASS'Y PANEL FRONT SVC	ASS'Y	-	-	1	
	DB92-00581A	ASS'Y PANEL FRONT SVC	ASS'Y	1	1	-	
1-2	DB64-00984A	GRILLE UP	ABS	-	-	1	
	DB64-00987A	GRILLE UP	ABS	1	1	-	
1-3	DB63-00858A	FILTER-AIR LF	PP	-	-	1	
	DB63-00856A	FILTER-AIR LF	PP	1	1	-	
1-4	DB63-00859A	FILTER-AIR RH	PP	-	-	1	
	DB63-00857A	FILTER-AIR RH	PP	1	1	-	
1-5	DB64-00986A	WINDOW DISPLAY	PC	1	1	1	
1-6	DB61-01630A	HOLDER PCB	HIPS	1	1	1	
1-7	DB61-01629A	HOLDER DISPLAY	ABS	1	1	1	
2	DB64-00985A	GRILLE LOW	ASS'Y	-	-	1	
	DB64-00988A	GRILLE LOW	ASS'Y	1	1	-	
3	DB96-03109A	ASS'Y EVAPORATOR TOTAL	ASS'Y	-	-	1	
	DB96-02145G	ASS'Y EVAPORATOR TOTAL	ASS'Y	1	1	-	
3-1	DB96-03102A	ASS'Y EVAPORATOR	ASS'Y	-	-	1	
	DB96-03101A	ASS'Y EVAPORATOR	ASS'Y	1	1	-	
4	DB63-00581A	COVER TERMINAL	HIPS	-	-	1	
	DB63-00588A	COVER TERMINAL	HIPS	1	1	-	
5	DB93-01364B	ASS'Y REMOCON	ASS'Y	1	1	1	
6	DB94-00490A	ASS'Y BACK BODY	ASS'Y	-	-	1	
	DB94-00508A	ASS'Y BACK BODY	ASS'Y	1	1	-	
6-1	DB61-01779A	BACK BODY	HIPS	-	-	1	
	DB61-01119A	BACK BODY	HIPS	1	1	-	
6-2	DB94-00258A	ASS'Y BEARING	ASS'Y	1	1	1	
7	DB94-00040R	ASS'Y CROSS FAN	ASS'Y	-	-	1	
	DB94-00040F	ASS'Y CROSS FAN	ASS'Y	1	1	-	
8	DB31-00152B	MOTOR-FAN IN	-	-	-	1	
	DB31-00152A	MOTOR-FAN IN	-	1	1	-	
9	DB61-01099A	HOLDER-MOTOR	PP	-	-	1	
	DB61-01120A	HOLDER-MOTOR	PP	1	1	-	
10	DB67-60030A	SPRING-SENSOR	STS301	1	1	1	
11	DB70-00276A	PLATE-HANGER	SGCC-M	-	-	1	
	DB70-00288A	PLATE-HANGER	SGCC-M	1	1	-	
12	DB93-02539A	ASS'Y CONTROL IN	ASS'Y	-	-	1	
	DB93-02524A	ASS'Y CONTROL IN	ASS'Y	1	1	-	
13	DB90-00992A	HOLDER-PIPE	HIPS	-	-	1	
	DB61-01121A	HOLDER-PIPE	HIPS	1	1	-	
14	DB94-00468B	ASS'Y TRAY DRAIN	ASS'Y	-	-	1	
	DB94-00465A	ASS'Y TRAY DRAIN	ASS'Y	1	1	-	
14-1	DB63-00587A	TRAY DRAIN	HIPS	-	-	1	
	DB63-00592A	TRAY DRAIN	HIPS	1	1	-	
14-2	DB94-00062E	ASS'Y HOSE DRAIN	ASS'Y	1	1	1	
14-3	DB61-01103A	BLADE-H	HIPS	-	-	1	
	DB61-01125A	BLADE-H	HIPS	1	1	-	
14-4	DB61-01104A	BLADE-V	PP	-	-	3	
	DB61-01126A	BLADE-V	PP	3	3	-	
14-5	DB95-20138A	ASS'Y STEPPING MOTOR	ASS'Y	1	1	1	
14-6	DB63-00634A	GUARD-SAFETY WIRE	STS27	-	-	1	OPTION
	DB63-00635A	GUARD-SAFETY WIRE	STS27	1	1	-	OPTION
15	DB93-01549B	ASS'Y CONNECTOR POWER	1mm ² x3C	1	1	1	

7-2 Outdoor Unit

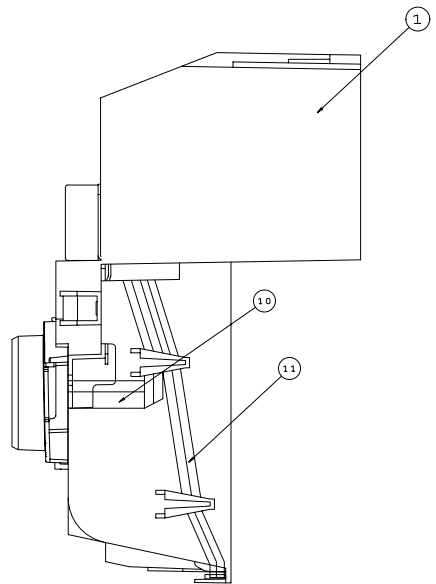
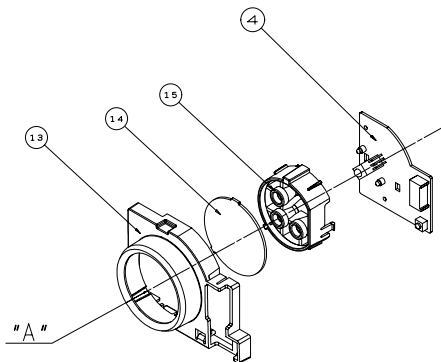
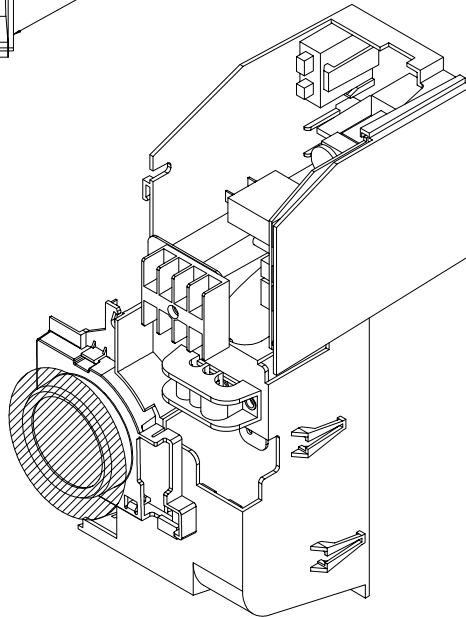
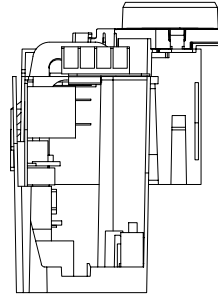
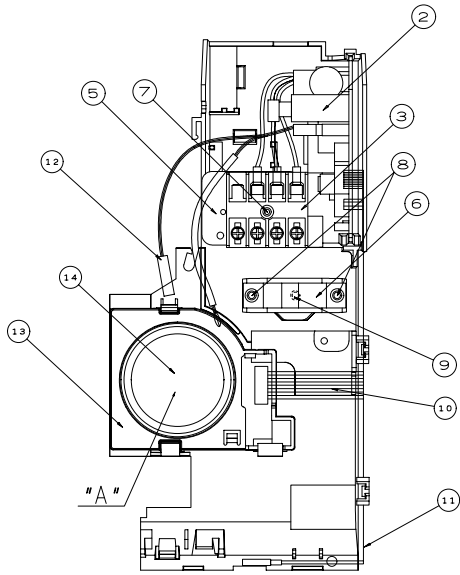


■ Parts List

No.	Code No.	Description	Specification	Q'TY			
				SH07AS2X	SH07AS2AX	SH09AS2X	SH12AS4X
1	DB60-30020A	NUT FLANGE	2C,M6,SM20C,NTR	1	1	1	1
2	DB67-00036A	FAN PROPELLER	AS+G/F 20%,ø375	1	1	1	-
	DB67-50063A	FAN PROPELLER	AS+G/F 20%,ø405	-	-	-	1
3	DB31-00034A	MOTOR FAN OUT	220/240V,50/60Hz	1	-	1	-
	DB31-10058C	MOTOR FAN OUT	220/240V,50/60Hz	-	-	-	1
4	DB90-01405A	ASS'Y CABINET FRONT	ASS'Y	-	-	-	1
	DB90-01406A	ASS'Y CABINET FRONT	ASS'Y	1	1	1	-
4-1	DB64-00978A	CABINET FRONT	SECC-P	-	-	-	1
	DB64-00999A	CABINET FRONT	SECC-P	1	1	1	-
4-2	DB63-00863A	GUARD FAN	PP	-	-	-	1
	DB63-00862A	GUARD FAN	PP	1	1	1	-
5	DB64-00979A	CABINET SIDE LF	SECC-P	-	-	-	1
	DB64-01001A	CABINET SIDE LF	SECC-P	1	1	1	-
6	DB64-00980A	CABINET SIDE RH	SECC-P	-	-	-	1
	DB90-01426A	CABINET SIDE RH	SECC-P	1	1	1	-
7	DB63-10443C	COVER E PARTS ASS'Y	ASS'Y	1	1	1	1
8	DB90-01404A	ASS'Y BASE OUTDOOR	ASS'Y	-	-	-	1
	DB90-01273B	ASS'Y BASE OUTDOOR	ASS'Y	-	1	1	-
	DB90-01273A	ASS'Y BASE OUTDOOR	ASS'Y	1	-	-	-
9	DB61-01623A	BRACKET VALVE	GALVANIZED STEEL	1	1	1	1
10	DB61-01648A	BRACKET MOTOR	GALVANIZED STEEL	-	-	-	1
	DB94-00561C	BRACKET MOTOR	GALVANIZED STEEL	1	1	1	-
11	DB73-00067A	GROMMET-ISOLATOR	NR	-	-	-	3
	DB73-00070A	GROMMET-ISOLATOR	NR	-	3	3	-
	DB63-00930A	GROMMET-ISOLATOR	NR	3	-	-	-
12	DB96-02976A	ASS'Y COND	ASS'Y	-	-	-	1
	DB96-02985A	ASS'Y COND	ASS'Y	-	-	1	-
	DB96-02984A	ASS'Y COND	ASS'Y	1	1	-	-
13	DB64-00998A	SCREEN COND	PP	-	-	-	1
	DB64-00997A	SCREEN COND	PP	1	1	1	-
14	DB94-00497B	ASS'Y PARTITION	ASS'Y	1	1	-	-
	DB94-00497A	ASS'Y PARTITION	ASS'Y	-	-	1	-
	DB94-00520A	ASS'Y PARTITION	ASS'Y	-	-	-	1
15	DB93-02556C	ASS'Y CONTROL OUT	ASS'Y	-	-	-	1
	DB93-02556B	ASS'Y CONTROL OUT	ASS'Y	-	-	1	-
	DB93-02556A	ASS'Y CONTROL OUT	ASS'Y	1	-	-	-
	DB93-02556Q	ASS'Y CONTROL OUT	ASS'Y	-	1	-	-
15-1	2501-001237	CAPACITOR-COMP	35uF/450VAC	-	-	1	1
	2501-001236	CAPACITOR-COMP	30uF/450VAC	1	1	-	-
15-2	2301-001375	CAPACITOR-MOTOR	1.5uF/450VAC	1	1	1	1
15-3	DB65-40049E	TERMINAL BLOCK	4P	1	1	1	1
15-4	DB93-01547D	ASS'Y LEAD WIRE	SAMSUNG COMPor	-	1	1	1
	DB93-01547C	ASS'Y LEAD WIRE	MATSUSHITA COMPor	1	-	-	-
15-5	DB35-00028B	OLP	RBC 12128-12500	-	-	-	1
	DB35-00028C	OLP	RBC 12131-12500	-	-	1	-
	DB35-00026A	OLP	MRA99901-9201	1	-	-	-
	DB35-00015T	OLP	RAC12126-9622	-	1	-	-
15-6	DB67-60020A	OLP SPRING	STS304	1	1	1	1
15-7	DB33-00049B	ASS'Y SOLENOID COIL	ASS'Y	1	1	1	1
16	DB96-03142A	ASS'Y TUBE 4WAY VALVE	ASS'Y	-	-	-	1
	DB96-03144A	ASS'Y TUBE 4WAY VALVE	ASS'Y	-	-	1	-
	DB96-03145A	ASS'Y TUBE 4WAY VALVE	ASS'Y	1	-	-	-
	DB96-03532A	ASS'Y TUBE 4WAY VALVE	ASS'Y	-	1	-	-
17	DB96-03143A	ASS'Y TUBE CAPILLARY	ASS'Y	-	-	-	1
	DB96-03146A	ASS'Y TUBE CAPILLARY	ASS'Y	-	-	1	-
	DB96-03146B	ASS'Y TUBE CAPILLARY	ASS'Y	1	-	-	-
	DB96-03146D	ASS'Y TUBE CAPILLARY	ASS'Y	-	1	-	-
18	G8C124JU1EL	COMPRESSOR	220-240V/50Hz	-	-	-	1
	G4A097JU1EP	COMPRESSOR	220-240V/50Hz	-	-	1	-
	DB95-00477A	COMPRESSOR	5PS102, 220-240V/50Hz	1	-	-	-
	G4A080JV1EP	COMPRESSOR	220-240V/50Hz	-	1	-	-
19	DB60-30028A	NUT WASHER	HEX 2C M8 ZPC	3	3	3	3
20	DB63-20002A	GASKET	EPDM	-	1	1	1
	DB63-00929A	GASKET	EPT	1	-	-	-
21	DB63-10165D	COVER TERMINAL	POM	-	1	1	1
	DB63-00927A	COVER TERMINAL	PET	1	-	-	-
22	DB60-30018A	NUT FLANGE	M5, SM20C	-	1	1	1
	DB60-30020A	NUT FLANGE	M6	1	-	-	-
23	DB64-01003A	HANDLE CABINET LF	PP	1	1	1	1

7-3 Ass'y Control In (Indoor Unit)

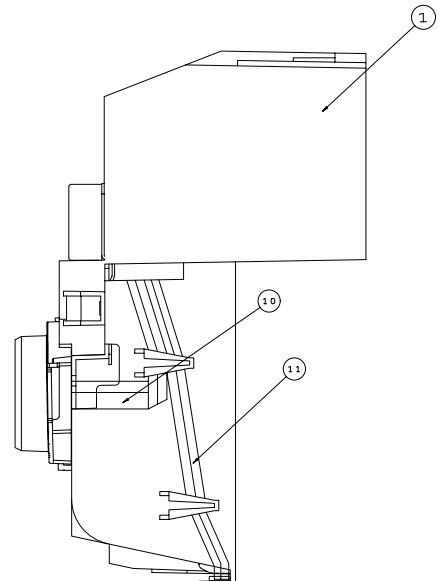
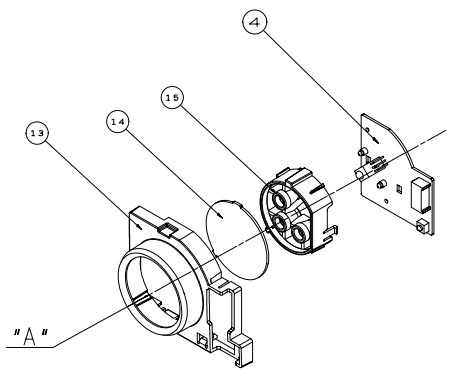
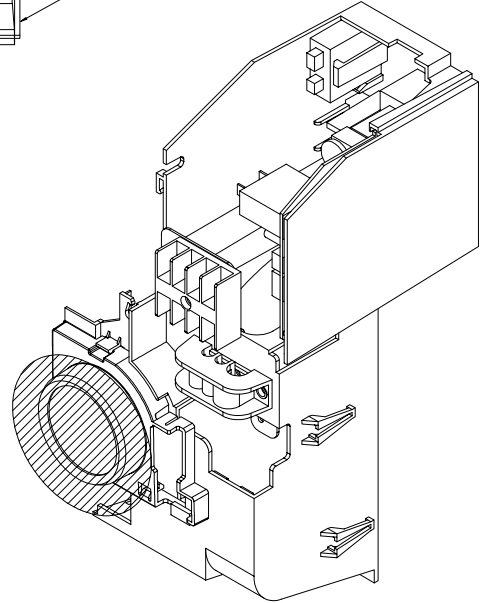
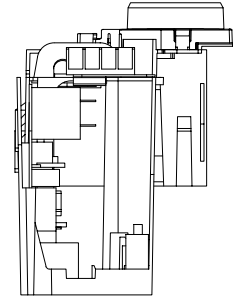
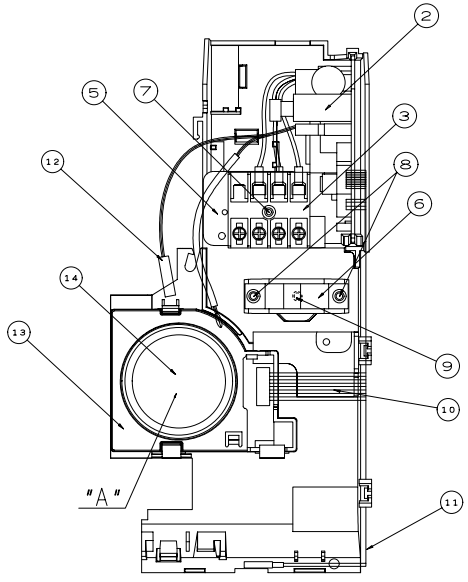
■ SH07AS2/SH07AS2A/SH09AS2 : DB93-02524A



■ Parts List

No.	Code No.	Description	Specification	Q'TY	Remark
1	DB61-01127A	CASE-CONTROL	ABS	1	
2	DB93-02447A	ASS'Y-MAIN PCB	ASS'Y	1	
3	DB93-02508A	ASS'Y-TERMINAL BLOCK	ASS'Y	1	
4	DB93-02525A	ASS'Y SUB PCB	ASS'Y	1	
5	DB70-00289A	PLATE-TERMINAL LOW	SGCC-M T1.2	1	
6	DB61-00171A	HOLDER-WIRE CLAMP	ABS	1	
7	-	SCREW-MACHINE	PH M3xL22	1	SNA
8	-	SCREW-MACHINE	TH M4xL16	2	SNA
9	-	SCREW-MACHINE	PH M4xL10	1	SNA
10	DB39-00949A	ASS'Y C/W SUB	ASS'Y	1	
11	DB39-00643M	ASS'Y C/W STEP MOTOR	ASS'Y	1	
12	DB32-00020A	ASS'Y-THERMISTOR	4P(103AT)	1	
13	DB61-01629A	HOLDER DISPLAY	ABS	1	
14	DB64-00986A	WINDOW DISPLAY	-	1	
15	DB61-01630A	ASS'Y HOLDER PCB	HIPS	1	

■ SH12AS4 : DB93-02539A



■ Parts List

No.	Code No.	Description	Specification	Q'TY	Remark
1	DB61-01631A	CASE-CONTROL	ABS	1	
2	DB93-02447A	ASS'Y-MAIN PCB	ASS'Y	1	
3	DB93-02508A	ASS'Y-TERMINAL BLOCK	ASS'Y	1	
4	DB93-02525A	ASS'Y SUB PCB	ASS'Y	1	
5	-	PLATE-TERMINAL LOW	SGCC-M T1.2	1	SNA
6	DB61-00171A	HOLDER-WIRE CLAMP	ABS	1	
7	-	SCREW-MACHINE	PH M3xL22	1	SNA
8	-	SCREW-MACHINE	TH M4xL16	2	SNA
9	-	SCREW-MACHINE	PH M4xL10	1	SNA
10	DB39-00949A	ASS'Y C/W SUB	ASS'Y	1	
11	DB39-00643F	ASS'Y C/W STEP MOTOR	ASS'Y	1	
12	DB32-00020A	ASS'Y-THERMISTOR	4P(103AT)	1	
13	DB61-01629A	HOLDER DISPLAY	ABS	1	
14	DB64-00986A	WINDOW DISPLAY	-	1	
15	DB61-01630A	ASS'Y HOLDER PCB	HIPS	1	