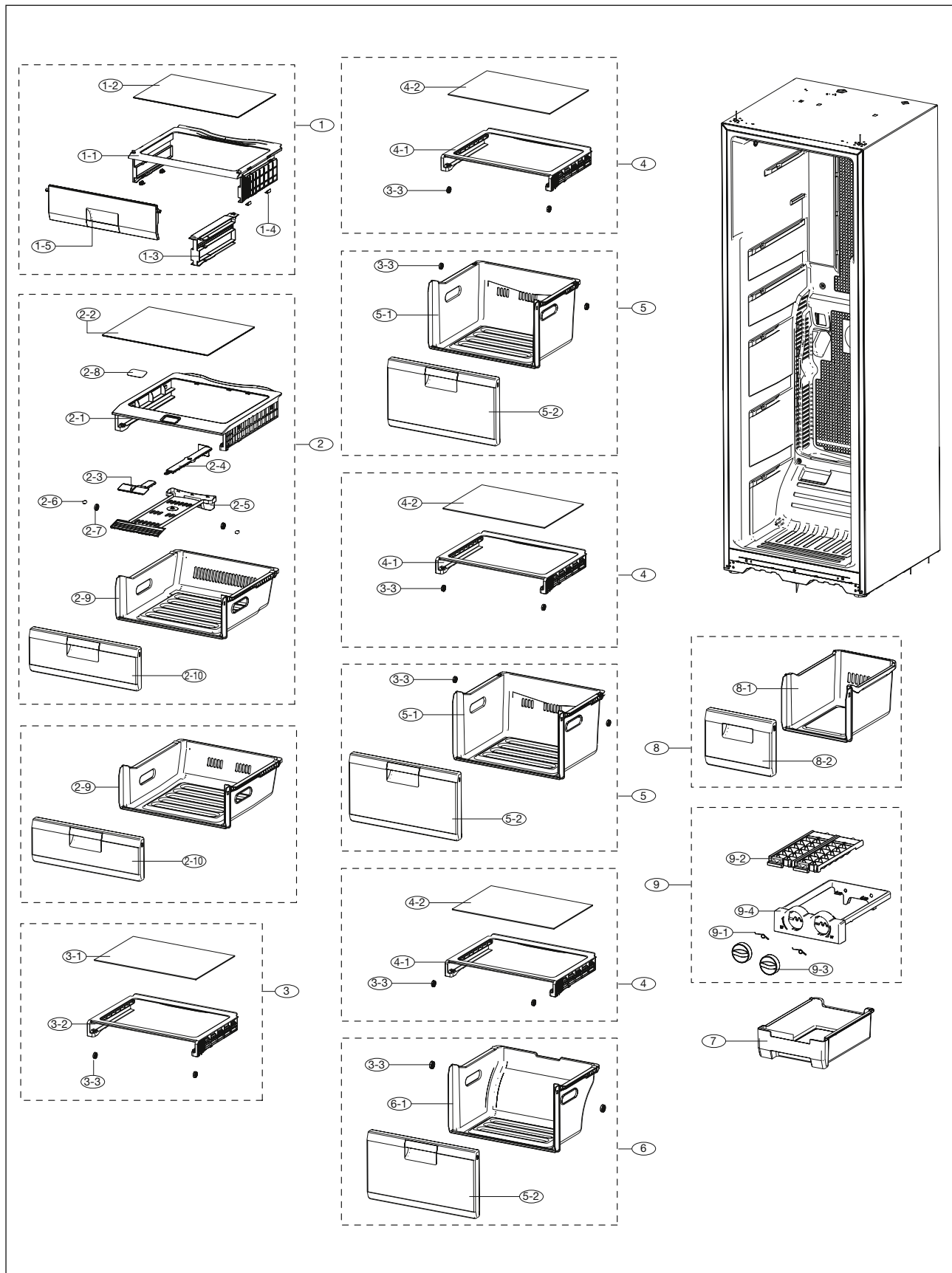


5. EXPLODED VIEW & PART LIST

5-1. FREEZER.....	56
5-2. DOOR.....	58
5-3. CABINET.....	60

5. EXPLODED VIEW & PART LIST

5-1. Freezer

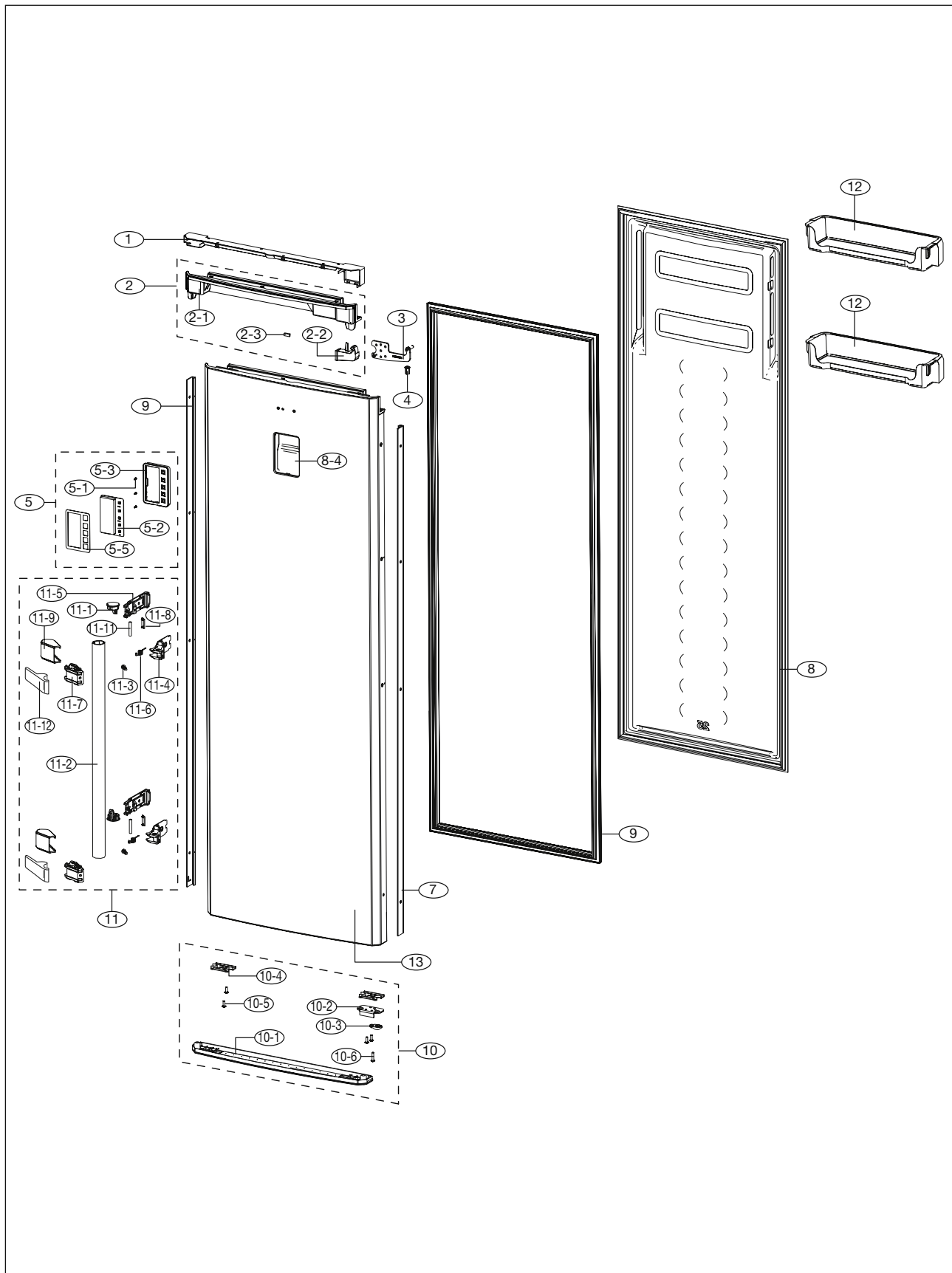


5. EXPLODED VIEW & PART LIST

NO	CODE-NO	PART NAME	SPECIFICATION	Q'TY	SVC	REMARK
1	DA97-07451A	ASSY SHELF FRE-UPP	TWIN-PJT,-	1	SA	NEW
1-1	DA64-02843A	TRIM-SHELF FRE UPP	TWIN-PJT,HIPS,-,-,-,WHITE,-	1	SNA	NEW
1-2	DA01-00512A	GLASS-SHELF FRE UPP	W442.2*D277.5,T3.2,TWIN-PJT	1	SNA	NEW
1-3	DA61-05074A	RAIL-SHELF FRE UPP	TWIN-PJT,HIPS,-,-,-,WHITE,-	1	SNA	NEW
1-4	DA64-03010A	TRIM SHELF	TWIN-PJT,LDPE,WHITE	4	SNA	NEW
1-5	DA63-04864A	COVER FOLDER	TWIN-25,GPPS,-,-,-,-,NTR,HF-2660	1	SNA	NEW
2	DA97-07404A	ASSY COVER-QUICK FROST FRE	TWIN-PJT,ASSY,-,-,-,-,-	2	SA	NEW
2-1	DA63-04866A	COVER-UPP QUICK FROST	TWIN-PJT,HIPS,-,-,-,-,COOL WHITE,HG-1760	1	SNA	NEW
2-2	DA01-00512B	GLASS-QUICK FROST	W443.0, D342.0,T3.2,TWIN-PJT	1	SNA	NEW
2-3	DA64-02857A	KNOB-QUICK FROST A	TWIN-PJT,ABS(HG-0760),-,-,-,SNOW WHITE,-,-	1	SNA	NEW
2-4	DA64-02858A	KNOB-QUICK FROST B	TWIN-PJT,ABS(HG-0760),-,-,-,SNOW WHITE,-,-	1	SNA	NEW
2-5	DA61-05098A	CASE-BOTTOM QUICK FROST	TWIN-PJT,HIPS,-,-,-,COOL WHITE,-	1	SNA	NEW
2-6	DA63-04402A	GROMMET-COVER SUB		2	SNA	
2-7	DA66-00690A	ROLLER-SHELF	TWIN,POM,22,NTR	2	SNA	NEW
2-8	DA64-02888A	WINDOW-QUICK FROST	TWIN-PJT,AL,-,-,-,-,SILVER,HAIR LINE	1	SNA	NEW
2-9	DA61-05102A	CASE BASKET UPP	TWIN,PP,T1.8,W433,H139.5,D434.7,-,COOL-WHITE(SC-02	2	SNA	NEW
2-10	DA63-04864A	COVER-BASKET FRONT UPP	TWIN-25,GPPS,-,-,-,-,NTR,HF-2660	2	SNA	NEW
3	DA97-07453A	ASSY SHELF FRE MID	TWIN-PJT,-	1	SA	NEW
3-1	DA64-02861A	TRIM SHELF FRE MID	TWIN,ABS,HF-0660I,GLASS T3.2,COOL-WHITE(SC-02740R)	1	SNA	NEW
3-2	DA01-00512C	GLASS SHELF FRE MID	W431.0,D362.5,T3.2,TWIN-PJT	1	SNA	NEW
3-3	DA66-10104C	ROLLER-FRE	TWIN-PJT,-	2	SNA	
4	DA97-07453A	ASSY SHELF FRE LOW	TWIN-PJT,-	3	SA	NEW
4-1	DA64-02859A	TRIM SHELF FRE LOW	TWIN,ABS,HF-0660I,GLASS T3.2,COOL-WHITE(SC-02740R)	3	SNA	NEW
4-2	DA01-00512D	GLASS SHELF FRE LOW	W431.0,D284.5,T3.2,TWIN-PJT	3	SNA	NEW
3-3	DA66-10104C	ROLLER-FRE	TWIN-PJT,-	2	SNA	
5	DA97-07397A	ASSY CASE-BASKET MID	TWIN-PJT,-,-,-,-,NORMAL	2	SA	NEW
5-1	DA61-05101A	CASE-BASKET MID	TWIN,PP,T1.8,W451,H234.5,D355.2,-,COOL-WHITE(SC-02	2	SNA	NEW
5-2	DA63-04859A	COVER-BASKET FRONT LOW	TWIN,GPPS,T2.5,W451,H260,D32.5,NTR,168N	2	SNA	NEW
3-3	DA66-10104C	ROLLER-FRE	TWIN-PJT,-	2	SNA	
6	DA97-07397A	ASSY CASE-BASKET LOW	TWIN-PJT,-,-,-,-,NORMAL	1	SA	NEW
6-1	DA61-05101A	CASE-BASKET LOW	TWIN,PP,T1.8,W451,H234.5,D355.2,-,COOL-WHITE(SC-02	1	SNA	NEW
5-2	DA63-04859A	COVER-BASKET FRONT LOW	TWIN,GPPS,T2.5,W451,H260,D32.5,NTR,168N	1	SNA	NEW
3-3	DA66-10104C	ROLLER-FRE	TWIN-PJT,-	2	SNA	
7	DA63-04836A	TRAY-ICE CUBE	TWIN-PJT,PP,-,-,-,-,WHITE,BJ-730	1	SA	NEW
8	DA97-07401A	ASSY CASE-MINI BASKET	TWIN-PJT,-,-,-,-,NORMAL	1	SA	NEW
8-1	DA61-05105A	CASE-MINI BASKET	TWIN,PP,T1.8,W208.2,H159.5,D310.3,-,COOL-WHITE(SC-	1	SNA	NEW
8-2	DA63-04871A	COVER-MINI BASKET	TWIN,GPPS,T2.5,W223.5,H170.5,D29.85,NTR,G-168N	1	SNA	NEW
9	DA97-07449A	ASSY TRAY-ICE MAKER	TWIN-PJT,-,-,-,-,-	1	SA	NEW
9-1	DA61-20136A	SPRING ETC-ICE MAKER		2	SNA	
9-2	DA63-02169A	TRAY ICE		2	SNA	
9-3	DA64-02874A	KNOB-TRAY ICE	TWIN-PJT,HIPS,-,-,-,-,WHITE,-,HG-1760	2	SNA	NEW
9-4	DA61-05067A	CASE-TRAY ICE	TWIN-PJT,HIPS,-,-,-,-,-	1	SNA	NEW

5. EXPLODED VIEW & PART LIST

5-2. Door

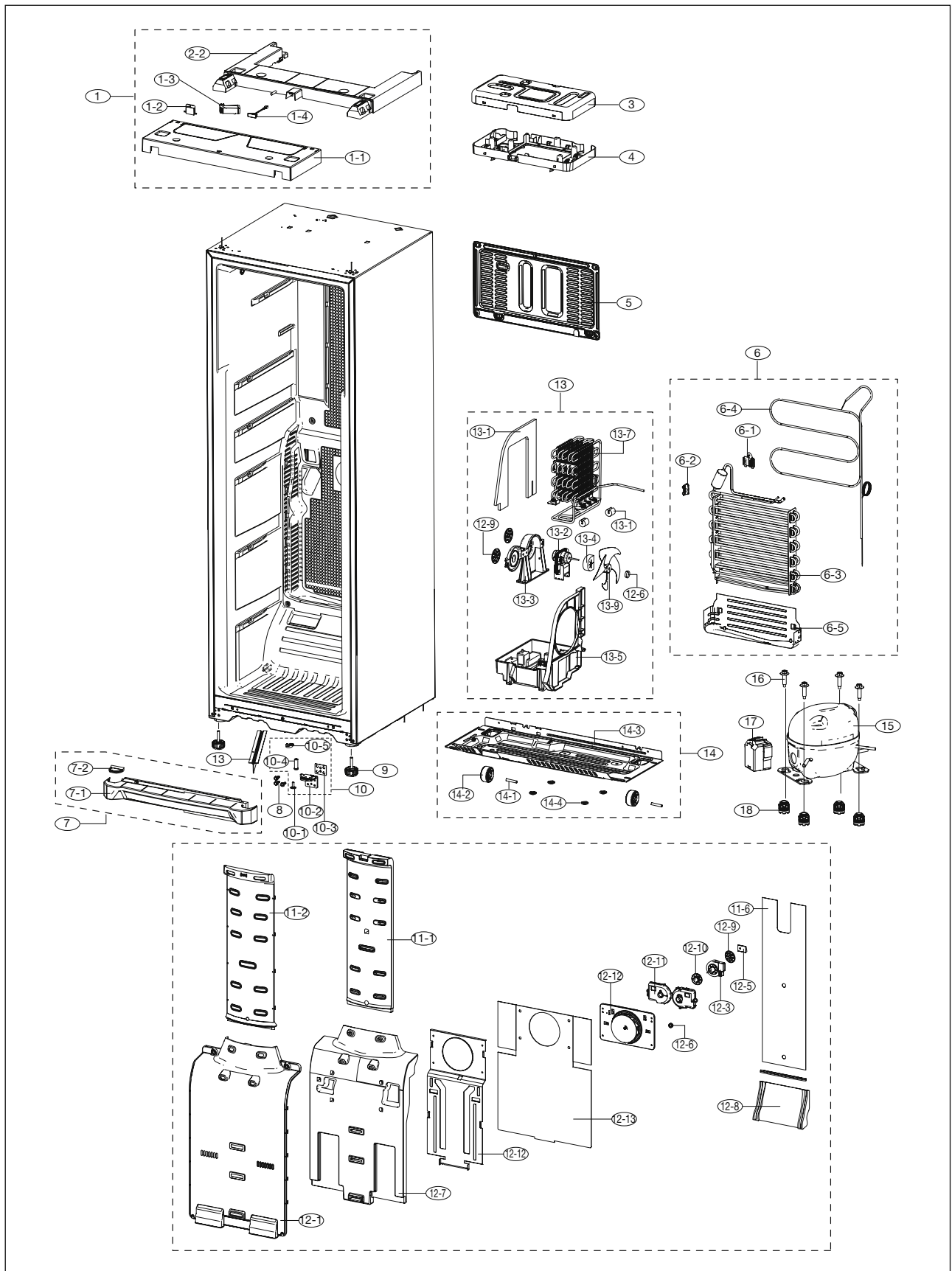


5. EXPLODED VIEW & PART LIST

NO	CODE-NO	PART NAME	SPECIFICATION	Q'TY	SVC	REMARK
1	DA63-04851A	COVER-WIRE DOOR	TWIN-PJT,EE,SNOW WHITE	1	SA	NEW
2	DA97-07378A	ASSY CAP DOOR-UPP	TWIN-PJT,EE,SNOW WHITE	1	SNA	NEW
2-1	DA67-02223A	CAP DOOR-UPP	TWIN-PJT,ABS,T2.0,SNOW WHITE	1	SNA	NEW
2-2	DA63-04849A	COVER-WIRE HINGE R	TWIN-PJT,PP,T1.8,SNOW WHITE	1	SNA	NEW
2-3	DA61-02738L	MAGNET	TWIN,ABS,T5,7mm,18mm,-	1	SNA	NEW
3	DA97-07376A	ASSY HINGE UPP	TWIN-PJT,-,-,-,-,-	1	SA	NEW
3-1	DA61-05080A	HINGE-UPP	TWIN-PJT,SHP1,T4.0,-,-,-,-	1	SNA	NEW
3-2	DA66-00073C	SHAFT-WASHER, C	RD-PVC,SR-32,35,T1.0	1	SNA	
3-3	DA66-00663A	SHAFT-HINGE UPP	TWIN-PJT,SWCH10A,-,-,-,-,ZPC(WHT)	1	SNA	NEW
4	DA63-04850A	GROMMET HINGE	TWIN-PJT,NY-66,T2.0,-,L20,-,14.5,NTR,-	1	SNA	NEW
5	DA97-07415A	ASSY COVER-DISPLAY FRE	TWIN-PJT,-,-,-,-,-,-,-	1	SA	NEW
5-1	6002-000466	SCREW-TAPPING	PH,+2S,M3.O,L8,ZPC(WHT),MSWR10	3	SNA	
5-2	DA41-00613A	PBA PANEL	TWIN-PJT,DOOR REF,FR-1,76.0*116.5*1.6T,BLUE LED/FR	1	SNA	NEW
5-3	DA63-04834A	COVER DISPLAY	TWIN-PJT,ABS,-,-,-,-,-,-	1	SNA	NEW
5-4	DA61-05066A	CASE-DISPLAY	TWIN-PJT,PP,-,-,-,,-,NTR,-	1	SNA	NEW
5-5	DA64-02836B	WINDOW DISPLAY FRE	TWIN-PJT,PC,T0.38,BLACK SMOG 16%	1	SNA	NEW
6	DA61-05353A	REINF-PLATE DOOR L	TWIN-35,25,SHP1,L1550	1	SNA	NEW
7	DA61-05352	REINF-PLATE DOOR R	TWIN-35,25,SHP1,L1550	1	SNA	NEW
8	DA64-02844A	PANEL DOOR-FRE	TWIN-25,ABS,T1.0,-,-,-,COOL WHITE,SC-02740R	1	SNA	NEW
9	DA97-07366G	GASKET DOOR	TWIN-PJT(R35,F25),-,W534,L1595	1	SA	NEW
10	DA97-07377A	ASSY CAP DOOR-LOW	TWIN-PJT,EE,SNOW WHITE	1	SNA	NEW
10-1	DA67-02222A	CAP DOOR-LOW	TWIN-PJT,ABS,T2.0,SNOW WHITE	1	SNA	NEW
10-2	DA61-00776A	STOPPER-DOOR	TH,+B,M5,L16,ZPC,SWRCH18A	2	SNA	
10-3	DA66-00344A	CAM-HINGE RISER LOW	CORE-PJT,ABS,SC-03186R,TITAN GRAY	1	SNA	
10-4	DA61-05082A	REINF-DOOR LOW	TWIN-PJT,SHP1,T2.0,-,-,-,-	4	SNA	NEW
10-5	6001-000715	SCREW-MACHINE		5	SNA	
10-6	6001-001377	SCREW-MACHINE		1	SNA	
11	DA97-07438A	ASSY HANDLE	TWIN,1.3,420,SNOW WHITE,AL-BAR	1	SA	NEW
11-1	DA67-01452A	CAP-HANDLE,SIDE	ABS	1	SNA	
11-2	DA64-02899A	HANDLE BAR[EASY]	TWIN-PJT,AL,L522,NATURAL SILVER,EASY HANDLE(HALF)	1	SA	NEW
11-3	6009-001512	SCREW-SPECIAL	TWIN-PJT,PA+ABS,SHP1,SNOW WHITE,STEEL INSERT	2	SNA	
11-4	DA61-05173A	SUPPORT-HANDLE,A	TWIN-PJT,POM,SNOW WHITE	2	SA	NEW
11-5	DA61-05174A	SLIDER-HANDLE	TWIN-PJT,HSWR,6.6,5.4,7.8,-,5.5,-,ZPC3,-,EASY HAND	2	SA	NEW
11-6	DA61-05177A	SPRING ETC-HANDLE	TWIN-PJT,NY-66,SNOW WHITE	2	SA	NEW
11-7	DA61-05172A	SUPPORT-HANDLE B	TWIN-PJT,ABS,SNOW WHITE,SNOW WHITE,EASY HANDLE	2	SA	NEW
11-8	DA63-03196A	COVER SUPT HANDLE REAR	TWIN-PJT,SILICON,SNOW WHITE,EASY HANDLE	2	SNA	
11-9	DA63-04929A	COVER SUPT HANDLE FRONT	TWIN-PJT,STS204,L27.0,-,-,-,EASY HANDLE	2	SA	NEW
11-10	DA73-00238A	RUBBER-HANDLE	TWIN-PJT,GPPS,T2.0,-,-,NTR,HF-2660S	2	SA	NEW
11-11	DA66-00664A	SHAFT-HANDLE	TWIN-35,25,SECC1,T0.5,SNOW WHITE,B	2	SA	NEW
11-12	DA63-04928A	COVER-SLIDER HANDLE	TWIN-PJT,ABS,SNOW WHITE,EASY HANDLE	2	SA	NEW
12	DA63-04882A	GUARD-FRE	TWIN-PJT,GPPS,T2.0,-,-,NTR,HF-2660S	2	SA	NEW
13	DA61-05079A	PLATE DOOR E	TWIN-35,25,SECC1,T0.5,SNOW WHITE,B	1	SNA	NEW

5. EXPLODED VIEW & PART LIST

5-3. Cabinet



5. EXPLODED VIEW & PART LIST

NO	CODE-NO	PART NAME	SPECIFICATION	Q'TY	SVC	REMARK
1	DA97-07921A	ASSY TOP-TABLE FRONT FRE	TWIN-PJT,SNOW WHITE	1	SA	NEW
1-1	DA64-02884A	TOP TABLE-FRONT	TWIN,ABS,SNOW WHITE,SC-97527R	1	SNA	NEW
1-2	DA67-02269A	CAP-TOP TABLE	TWIN,ABS,SNOW WHITE,SC-97527	1	SNA	NEW
1-3	DA63-04849A	COVER-WIRE HINGE R	TWIN-PJT,PP,T1.8,SNOW WHITE	1	SNA	NEW
1-4	DA34-00043A	SWITCH REED-ASS'Y		1	SA	
2	DA64-02883A	ASSY TOP-TABLE REAR	TWIN,ABS,SNOW WHITE,SC-97527R	1	SA	NEW
2-1	DA96-00285G	ASSY W/HARNESS-CABI	TWIN CABI WIRE,FRE	1	SNA	
2-2	DA64-02883A	TOP TABLE-REAR	TWIN,ABS,SNOW WHITE,SC-97527R	1	SNA	NEW
2-3	DA32-00011P	SENSOR TEMP-EXT		1	SA	
3	DA63-04829A	COVER PCB-PANEL	TWIN-PJT,SBHG1,T0.4,-,-,-,-,-	1	SA	NEW
4	DA97-07464A	ASSY CASE-PCB PANEL	TWIN-PJT,-,-,-,-,ASSY	1	SA	NEW
4-1	2501-001186	C-OIL	5uF,400V,BK,43x55mm,15mm	1	SA	
4-2	6006-001083	SCREW-TAPPING	TH,+,PW,M4,L16,ZPC(WHT),SWRCH18A	1	SNA	
4-3	DA39-10115D	CBF-POWER CORD	UCP-2,250V,10/16A,L2100,VDE,300,3,1	1	SA	
4-4	DA27-00002A	COIL-NOISE FILTER	CORE-PJT,PP(V0),T3,W452.6,L219.6,NTR	1	SNA	
4-5	DA61-05059A	CASE PCB-PANEL[FULL ELEC]	TWIN-PJT,N-PP,-,-,-,NTR,-	1	SNA	NEW
5	DA97-07461A	ASSY COVER- COMP	TWIN-PJT,-,-,-,-,ASSY	1	SA	NEW
6	DA96-00568A	ASSY EVAP-FRE	TWIN-PJT,ASSY		SA	NEW
6-1	DA61-00603A	FIXER-SENSOR		1	SNA	
6-2	DA61-05160A	FIXER-FUSE		1	SNA	
6-3	DA59-00389A	EVAP FRE	TWIN-PJT	1	SNA	NEW
6-4	DA62-02208A	PIPE SUCTION-FRE	TWIN-PJT,CU,7.94,L2600,C1220T-0	1	SNA	NEW
6-5	DA61-05216A	PLATE DRAIN EVAP	TWIN-PJT,SAZCC,-,-,-,-,-	1	SNA	NEW
7	DA97-07919A	ASSY COVER LEG FRONT	TWIN-PJT,PP,SNOW WHITE,ASSY	1	SA	NEW
7-1	DA63-04830A	COVER LEG-FRONT	TWIN-PJT,PP,SNOW WHITE	1	SNA	NEW
7-2	DA67-02216A	CAP-HINGE LOW	TWIN-PJT,PP,SNOW WHITE	1	SNA	NEW
8	DA60-10123E	SCREW-HEX	HH,M6,L19,ZPC(WHT),SWRCH18A	6	SNA	
9	DA61-00805A	FOOT-FRONT	REF-ALL,PP,PI44,NTR,H65.8,BOLT	2	SNA	
10	DA97-07375A	ASSY HINGE LOW	TWIN-PJT,-,-,-,-,-	1	SA	NEW
10-1	6009-001548	SCREW-SPECIAL		1	SNA	
10-2	DA61-05081A	HINGE-LOW	TWIN-PJT,SHP1,T4.0,-,-,-,-,-	1	SNA	NEW
10-3	DA63-04856A	SHIM HINGE-LOW	TWIN-PJT,HIPS,T1.0,-,-,WHITE,-	1	SNA	NEW
10-5	DA66-00662A	SHAFT HINGE LOW	TWIN-PJT,SWCH10A,-,-,-,-,ZPC(WHT)	1	SNA	NEW
10-6	DA66-00401A	CAM-RISER	SAPPHIRE-PJT,NY-66(2110R),-,BLACK,-,-,-,-,-	1	SNA	
11	DA97-07394A	ASSY COVER MULTI-FRE	TWIN-25,-,-,-,-,-,-,-,-,-	1	SA	NEW
11-1	DA62-02112A	INSULATION-MULTI FRE	TWIN-25,FOAM-PS,-,-,-,-,-,-,-,-,-	1	SNA	NEW
11-2	DA63-04844A	COVER-MULTI FRE	TWIN,RZ80,PP,-,-,-,-,-,COOL WHITE,-	1	SNA	NEW
11-3	DA61-05077A	PLATE-MULTI REAR REF	TWIN-25,HOMO-PP,T0.35,-,-,WHITE,-	1	SNA	NEW
12	DA97-07386A	ASSY COVER EVAP-FRE	TWIN-PJT,-,-,-,-,-,-,220V~240V	1	SA	NEW
12-1	DA63-04848A	COVER EVAP-FRE	TWIN-PJT,PP,-,-,-,-,-,COOL WHITE,-	1	SNA	NEW
12-2	DA31-00233A	FAN-BACKWARD[FRE]	TWIN-PJT,ABS,HG-0760H, Cream white	1	SNA	NEW
12-3	DA31-00146E	MOTOR FAN-BLDC	DREP5020LB,BLDC Motor,0.268,-,3.21,-,2520,-,DC 12V,-,29dB,-	1	SA	
12-5	DA61-03622A	BRACKET-FIXER HOUSING	HERMES,GALVANUM,T0.3,-,-,-,-,-	1	SNA	
12-6	DA61-20128A	SPRING ETC-FAN	-,STS304,PI7.8,-,OD1.0,-,-,-,-,-,FD	1	SNA	
12-7	DA62-02116A	INSULATION EVAP-FRONT FRE	TWIN-PJT,FOAM-PS,-,-,-,-,WHITE,-,-,-,-	1	SNA	NEW
12-8	DA62-02117A	INSULATION EVAP-REAR FRE	TWIN-PJT,FOAM-PS,-,-,-,-,NTR,-,-,-,-	1	SNA	NEW

5. EXPLODED VIEW & PART LIST

NO	CODE-NO	PART NAME	SPECIFICATION	Q'TY	SVC	REMARK
12-9	DA63-01146A	GROMMET-MOTOR,REAR	A-TOP,NBR,-,-,ID6.5,OD42,BLK,BLDC	1	SNA	
12-10	DA63-01808A	GROMMET-MOTOR,FRONT	BLDC,NBR,BLACK,-,-,-,H20	1	SNA	
12-11	DA63-01809A	COVER MOTOR-BLDC	BLDC-NEW,PP,NTR,-,-,-,BJ-730	1	SNA	
12-12	DA61-05073A	PLATE-EVAP REAR FRE	TWIN-PJT,SAZCC,T0.3,-,-,-	1	SNA	NEW
12-13	DA62-02121A	SEAL EVAP-COVER REAR FRE	TWIN-PJT,FOAM-PE+AL,-,T2,-,-,-	1	SNA	NEW
13	DA97-07418A	ASSY TRAY DRAIN WATER	TWIN-PJT,PVC,-,-,-,WHITE,HD PVC+LD PVC	1	SA	NEW
13-1	DA62-02140A	SEAL-SUB CONDENSER	TWIN-PJT,FOAM-PE,BLACK,T5,-,-,-	1	SNA	NEW
13-2	DA31-00146B	MOTOR BLDC	D4.0,L9.0,AL	1	SA	
13-3	DA61-03653A	BRACKET-MOTOR	DRCP5030LA,1560,DC12V,230mA,2.7W,ATOP	1	SNA	
13-4	DA62-01297A	SEAL-SUPPORT MOTOR	TD-PJT,PP(BJ-730),NTR	1	SNA	
13-5	DA63-04832A	TRAY-DRAIN WATER	TWIN-PJT,PP,-,-,-,NTR,-	1	SNA	NEW
12-9	DA63-01146A	GROMMET-MOTOR REAR	TD-PJT,FOAM-PE,T25,W36,L30	2	SNA	
13-7	DA97-07417A	ASSY PIPE-SUB COND	TWIN-PJT,-	1	SA	NEW
13-8	DA63-40171B	GROMMET-SUCT PIPE A		2	SNA	
13-9	DA31-20102C	FAN SIROCCO		1	SNA	
14	DA97-07465A	ASSY CHASSIS-COMP	TWIN-PJT,SBHG1,T1.0,-,-,-,ASSY	1	SA	NEW
14-1	DA60-90146A	PIN-CASTER	MSWR10,OD6.0,L40,ZPC2,SR-289-4	2	SNA	
14-2	DA61-40126B	CASTER-REAR	REF-ALL,PP,PI 44,NTR,W22	2	SNA	
14-3	DA64-02832A	CHASSIS COMP	TWIN-PJT,SBHG1,T1.0,-,-,-	1	SNA	NEW
14-4	DA61-01867A	BRACKET COMP		4	SNA	
15	MSS4A2QR1U/E01	COMPRESSOR[R]		1	SA	
15-1	DA35-00008U	O/L PROTECTOR	230V/50Hz (R)	1	SA	
15-2	DA35-00103D	ePTC		1	SA	
15	MSS170GL1U/E01	COMPRESSOR[G]		1	SA	
15-1	DA34-10004A	O/L PROTECTOR	220V~240V/50,60Hz (G)	1	SA	
15-2	DA35-00099A	SM-PTC		1	SA	
15	MSS162DS1U/E01	COMPRESSOR[D]		1	SA	
15-1	DA34-10003R	O/L PROTECTOR		1	SA	
15-2	DA35-00099J	SM-PTC		1	SA	
16	DA60-20008A	BOLT-HEX	S25C,M6,L42.6,WHITE,ZPC	4	SNA	
17	DA63-01866A	COVER RELAY	N300X,T2.0,W50,L60,BLACK,S-HOOK(H8.0)	1	SNA	
18	DA63-02017A	GROMMET COMP	QUEEN,EPDM,BLACK	4	SNA	

6. COLOR & SPECIFICATION CODE

6-1. Door Specification Code (Freezer)

NO	CODE-NO	PART NAME	SPECIFICATION	REMARK
1	DA91-02855A	ASSY DOOR FOAM FRE	TWIN-25,SNOW WHITE,B,ELEC	
	DA91-02855B	ASSY DOOR FOAM FRE-E	TWIN-25,MANHATTAN SILVER,B,ELEC	
	DA91-02855C	ASSY DOOR FOAM FRE-E	TWIN-25,EMPIRE BLACK,B,ELEC	
	DA91-02855D	ASSY DOOR FOAM FRE-E	TWIN-25,INOX,B,ELEC	
	DA91-02855E	ASSY DOOR FOAM FRE-E	TWIN-25,REAL STS,B,ELEC	
	DA91-02855F	ASSY DOOR FOAM FRE-E	TWIN-25,SNOW WHITE,A,ELEC	
	DA91-02855G	ASSY DOOR FOAM FRE-E	TWIN-25,MANHATTAN SILVER,A,ELEC	
	DA91-02855H	ASSY DOOR FOAM FRE-E	TWIN-25,EMPIRE BLACK,A,ELEC	
	DA91-02855J	ASSY DOOR FOAM FRE-E	TWIN-25,INOX,A,ELEC	
	DA91-02855K	ASSY DOOR FOAM FRE-E	TWIN-25,REAL STS,A,ELEC	
	DA91-02855L	ASSY DOOR FOAM FRE-E	TWIN-25,TITANUM SILVER,B,ELEC	
	DA91-02855M	ASSY DOOR FOAM FRE-E	TWIN-25,TITANUM SILVER,A,ELEC	
	DA91-02855N	ASSY DOOR FOAM FRE-E	TWIN-25,PLATINUM INOX,B,ELEC	
	DA91-02855P	ASSY DOOR FOAM FRE-E	TWIN-25,PLATINUM INOX,A,ELEC	
2	DA91-02856A	ASSY DOOR FOAM FRE	TWIN-23,SNOW WHITE,ELEC	
	DA91-02856B	ASSY DOOR FOAM FRE	TWIN-23,MANHATTAN SILVER,ELEC	
	DA91-02856C	ASSY DOOR FOAM FRE	TWIN-23,EMPIRE BLACK,ELEC	
	DA91-02856D	ASSY DOOR FOAM FRE	TWIN-23,INOX,ELEC	
	DA91-02856E	ASSY DOOR FOAM FRE	TWIN-23,REAL STS,ELEC	
	DA91-02856F	ASSY DOOR FOAM FRE-E	TWIN-23,TITANUM SILVER,ELEC	
	DA91-02856G	ASSY DOOR FOAM FRE-E	TWIN-23,PLATINUM INOX,ELEC	

6-2. Handle Specification Code

NO	CODE-NO	PART NAME	SPECIFICATION	REMARK
1	DA97-07857A	ASSY HANDLE-EASY	TWIN-PJT,ASSY,LONG	
	DA97-07857B	ASSY HANDLE-EASY	TWIN-PJT,MANHATTAN SILVER,ASSY,LONG	
	DA97-07857C	ASSY HANDLE-EASY	TWIN-PJT,I-BLACK,ASSY,LONG	
	DA97-07857D	ASSY HANDLE-EASY	TWIN-PJT,VERSAILLES SILVER,ASSY,LONG	
	DA97-07857E	ASSY HANDLE-EASY	TWIN-PJT,PLATINUM SILVER,ASSY,LONG	
	DA97-07857F	ASSY HANDLE-EASY	TWIN-PJT,SNOW WHITE,ASSY,LONG	
	DA97-07857G	ASSY HANDLE-EASY	TWIN-PJT,I-BLACK,ASSY,LONG	
2	DA97-07529A	ASSY HANDLE-EASY	TWIN-PJT,-,-,-,-,-,ASSY	
	DA97-07529B	ASSY HANDLE-EASY	TWIN-PJT,Manhattan Silver,ASSY,HALF	
	DA97-07529C	ASSY HANDLE-EASY	TWIN-PJT,I-BLACK,ASSY,HALF	
	DA97-07529D	ASSY HANDLE-EASY	TWIN-PJT,VESAILLES SILVER,ASSY,HALF	
	DA97-07529E	ASSY HANDLE-EASY	TWIN-PJT,PLATINUM SILVER,ASSY,HALF	
	DA97-07529F	ASSY HANDLE-EASY	TWIN-PJT,SNOW WHITE,ASSY,HALF	
	DA97-07529G	ASSY HANDLE-EASY	TWIN-PJT,I-BLACK,ASSY,HALF	

6. COLOR & SPECIFICATION CODE

6-3. Cover Leg Front Specification Code (Freezer)

NO	CODE-NO	PART NAME	SPECIFICATION	REMARK
1	DA97-07919A	ASSY COVER LEG FRONT	TWIN-PJT,PP,SNOW WHTIE,Freezer	
	DA97-07919B	ASSY COVER LEG FRONT	TWIN-PJT,PP,MANHATTAN SILVER,Freezer	
	DA97-07919C	ASSY COVER LEG FRONT	TWIN-PJT,PP,I-BLACK,Freezer	
	DA97-07919D	ASSY COVER LEG FRONT	TWIN-PJT,PP,INOX,Freezer	
	DA97-07919E	ASSY COVER LEG FRONT	TWIN-PJT,PP,CREAMY STS,Freezer	
	DA97-07919F	ASSY COVER LEG FRONT	TWIN-PJT,PP,TITAN GRAY,Freezer	

6-4. Top Table Specification Code (Freezer)

NO	CODE-NO	PART NAME	SPECIFICATION	REMARK
1	DA97-07921A	ASSY TOP-TABLE FRONT FRE	TWIN-PJT,SNOW WHITE	
	DA97-07921B	ASSY TOP-TABLE FRONT FRE	TWIN-PJT,NOBLE GRAY	
	DA97-07921C	ASSY TOP-TABLE FRONT FRE	TWIN-PJT,I BLACK	
	DA97-07921D	ASSY TOP-TABLE FRONT FRE	TWIN-PJT,INOX	
	DA97-07921E	ASSY TOP-TABLE FRONT FRE	TWIN-PJT,CREAMY STS	
	DA97-07921F	ASSY TOP-TABLE FRONT FRE	TWIN-PJT,TITAN GRAY	
2	DA97-07641U	ASSY TOP-TABLE REAR	TWIN,FRE,SNOW WHITE	
	DA97-07641V	ASSY TOP-TABLE REAR	TWIN,FRE,NOBLE GRAY	
	DA97-07641W	ASSY TOP-TABLE REAR	TWIN,FRE,I-BLAC	
	DA97-07641X	ASSY TOP-TABLE REAR	TWIN,FRE,INOX	
	DA97-07641Y	ASSY TOP-TABLE REAR	TWIN,FRE,CREAMY STS	
	DA97-07641Z	ASSY TOP-TABLE REAR	TWIN,FRE,TITAN GRAY	

7. CASE PCB PANEL SPECIFICATION CODE

7-1. Case PCB Panel Specification Code

NO	CODE-NO	PART NAME	SPECIFICATION	REMARK
1	DA97-07464A	ASSY CASE-PCB PANEL	TWIN-PJT,Fridge	
	DA97-07464B	ASSY CASE-PCB PANEL	TWIN-PJT,ASSY,FRE	
	DA97-07464C	ASSY CASE-PCB PANEL	TWIN-PJT,Fridge(XSA)	
	DA97-07464D	ASSY CASE-PCB PANEL	TWIN-PJT,Fridge(XFA)	
	DA97-07464E	ASSY CASE-PCB PANEL	TWIN-PJT,Fridge(BEL)	
	DA97-07464F	ASSY CASE-PCB PANEL	TWIN-PJT,Fridge(WSA)	
	DA97-07464G	ASSY CASE-PCB PANEL	TWIN-PJT,Fridge(XEU)	
2	DA97-07905A	ASSY CASE-PCB PANEL	TWIN-PJT,Freezer	
	DA97-07905B	ASSY CASE-PCB PANEL	TWIN-PJT,Freezer,Fridge(KPA,SCL)	
	DA97-07905C	ASSY CASE-PCB PANEL	TWIN-PJT,Freezer(XSA)	
	DA97-07905D	ASSY CASE-PCB PANEL	TWIN-PJT,Freezer(XFA)	
	DA97-07905E	ASSY CASE-PCB PANEL	TWIN-PJT,Freezer,Fridge(BEL)	
	DA97-07905F	ASSY CASE-PCB PANEL	TWIN-PJT,Freezer(WSA)	
	DA97-07905G	ASSY CASE-PCB PANEL	TWIN-PJT,Freezer(XEU)	
	DA97-07905H	ASSY CASE-PCB PANEL	TWIN-PJT,Freezer(DOM)	
	DA97-07905J	ASSY CASE-PCB PANEL	TWIN-PJT,Freezer(XAP)	