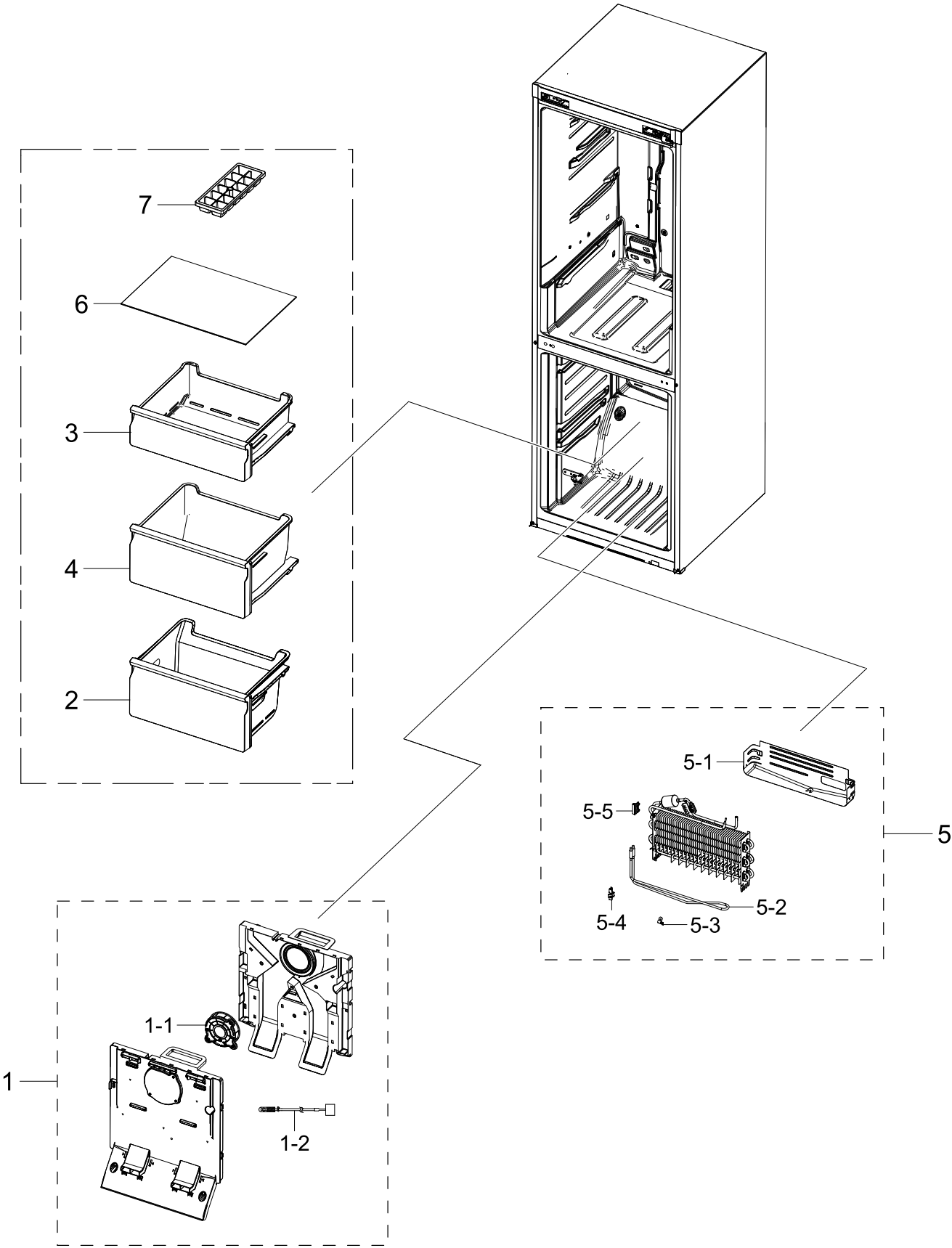


1. Freezer

Exploded View

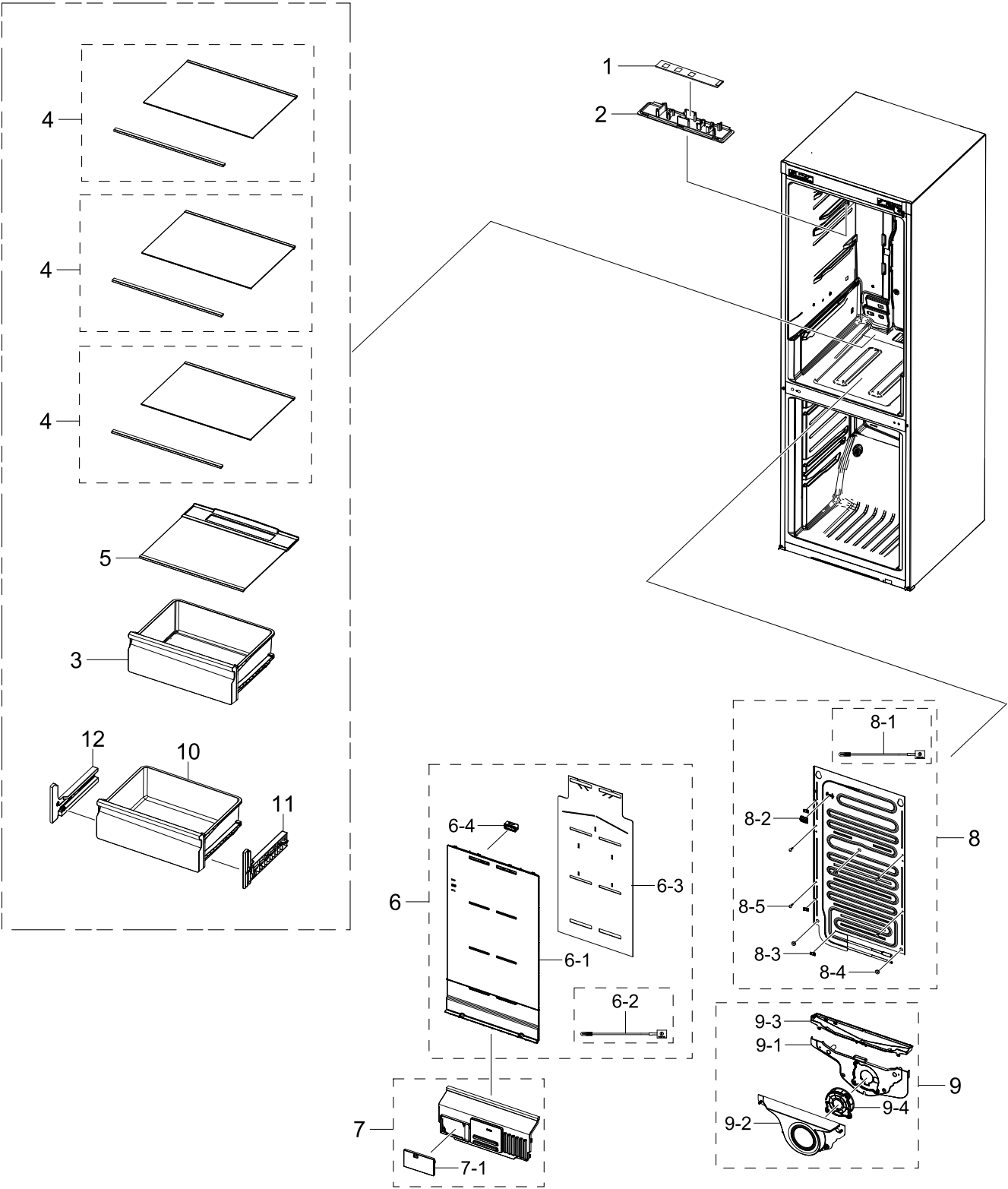


Parts List

No.	Lvl.	Loc.	Material Code	Description & Specification	SNA	Qty.
1	2	M0303	DA97-19096A	ASSY COVER EVAP-FRE; 3050-BMF,No SEAL	SA	1
1-1	3		DA31-00334C	MOTOR BLDC FAN;12035GE-12M-YT,1775±7%,12	SA	2
1-2	3	A1018	DA32-10105X	SENSOR TEMP; PX-41C,502AT,DKST1329GW,QUEE	SA	1
2	2	G0267	DA97-13475A	ASSY TRAY-FRE LOW; 3050,W466.2	SA	1
3	2	M0121	DA97-13480A	ASSY TRAY-FRE UPP; 3050,W479.1,L394.3	SA	1
4	2	G0268	DA97-13472A	ASSY TRAY-FRE MID; 3050,W466.3,H227.0	SA	1
5	2	A0163	DA96-01009C	ASSY EVAP-FRE; 3050-BMF	SA	1
5-1	3	A0754	DA61-08936A	PLATE-DRAIN; 3050,GI-SGCC,T0.3	SA	1
5-2	3		DA47-00507A	HEATER METAL SHEATH; AC230V,3050 BMF, 352	SNA	1
5-3	3	M9010	DA61-03644A	PLATE-EVAP HEATER; AW-PJT,Al,T0.7	SA	1
5-4	3	G0205	DA61-07410A	FIXER-HEATER FRE; NW2,PP,NATURAL,BJ750	SA	1
5-5	3	A0744	DA61-07411A	FIXER-FUSE; NW2,PP,NATURAL,BJ750	SA	1
6	2		DA97-15985A	ASSY SHELF GLASS-FRE; RL31/29,NO TRIMS	SA	1
7	2	A0120	DA67-40146B	TRAY ICE; SR-1500,PP,HB,COOL WHITE	SA	1

2. Refrigerator

Exploded View

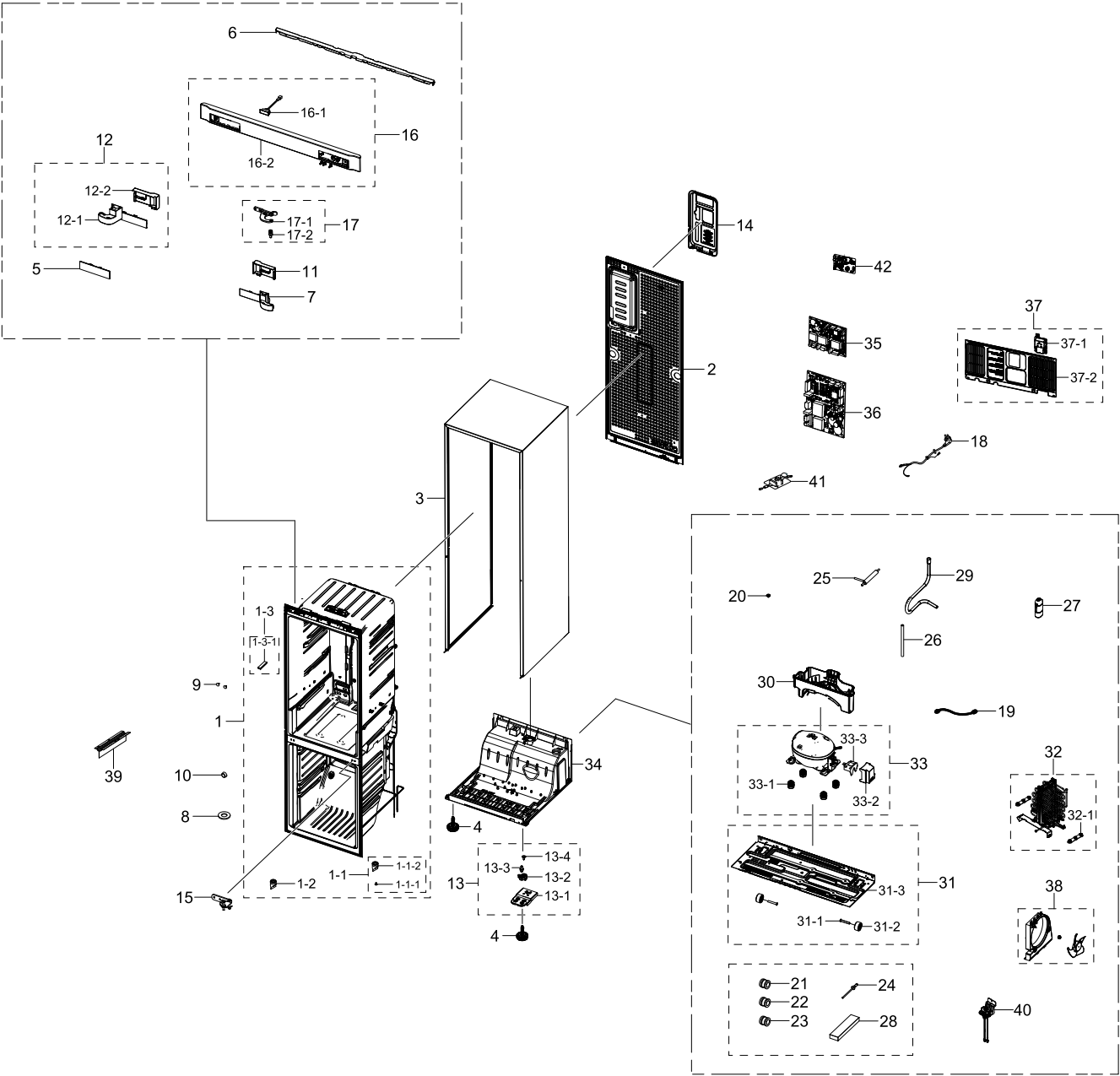


Parts List

No.	Lvl.	Loc.	Material Code	Description & Specification	SNA	Qty.
1	2	G0090	DA41-00519R	ASSY LAMP LED; 3ea,CEM-1,65*10*1.6T,WHITE	SA	1
2	2	A0280	DA63-08570A	COVER LAMP; 3050-BMF,GPPS,T2,TP BLUE	SA	1
3	2	M0236	DA97-13474A	ASSY CASE-VEG LOW; 3050,W479.2,H175,6	SA	1
4	2		DA97-13502D	ASSY SHELF GLASS-REF; RL31/29,COOL WHITE	SA	3
5	2		DA97-13550A	ASSY SHELF-VEG; RL31/29 BETTER,SHELF VEG	SA	1
6	2	Z1177	DA97-15459A	ASSY COVER EVAP-REF; RB5000J,A+++	SA	1
6-1	3		DA63-08033A	COVER EVAP-REF; RB5000J,PP,HB,COOL WHITE,	SNA	1
6-2	3	A1018	DA32-00011W	SENSOR TEMP;PX-41C,MT-PJT,-40~110°C,5V,Co	SA	1
6-3	3		DA62-04514A	INSULATION COVER EVAP-REAR; RB5000J,PS FO	SNA	1
6-4	3		DA61-10600A	FIXER SENSOR; NBR,GRAY	SA	1
7	2	A0678	DA97-15509A	ASSY COVER DAMPER-REF; RB7000J,RB5000J	SA	1
7-1	3		DA63-06337A	COVER-CONV MULTI; GRAND CRU,PP,HB,COOL WH	SA	1
8	2	A0184	DA96-01112A	ASSY EVAP-REF; RB5000J,ROLL BOND	SA	1
8-1	3	A1018	DA32-00011X	SENSOR TEMP; PX-41C,502AT,DKST1329,MT-PJT	SA	1
8-2	3		DA61-10518A	FIXER SENSOR; RB5000J,PP,T0.5,NATURAL,EP4	SA	1
8-3	3		DA61-10519A	FIXER WIRE; RB5000J,PP,NATURAL,EP448T	SA	3
8-4	3	M0181	DA63-01563A	GROMMET-SUB COND; BBC-PJT,NBR	SA	3
8-5	3	M2002	DA63-40167A	GROMMET-COVER CHIL; SIL16,WHITE	SA	4
9	2		DA97-15460A	ASSY CASE MOTOR-REF; RB5000J,A+++	SA	1
9-1	3		DA61-10405A	BRACKET MOTOR-REF A; RB5000J,ABS,Black,CN	SA	1
9-2	3		DA61-10409A	CASE MOTOR-REF; RB5000J,ABS,Black,CNTKA-2	SA	1
9-3	3		DA61-10411A	PLATE DRAIN-REF; RB5000J,ABS,BLACK,HB,CNT	SA	1
9-4	3		DA31-00334C	MOTOR BLDC FAN; 12035GE-12M-YT,1775 7%,1	SA	2
10	2		DA97-13473B	ASSY CASE VEG-UP; 3050-2M	SA	1
11	2	M0111	DA97-13598A	ASSY RAIL-VEG R; 3050_BMF	SA	1
12	2	M0110	DA97-13599A	ASSY RAIL-VEG L; 3050_BMF	SA	1

3. Cabinet

Exploded View



Parts List

No.	Lvl.	Loc.	Material Code	Description & Specification	SNA	Qty.
1	2	A0137	DA94-02022A	ASSY LINER; RB5000J, A+++	SNA	1
1-1	3		DA97-15499A	ASSY DRAIN HOSE-REF; BK-PJT	SNA	1
1-1-1	4	G0412	6002-000239	SCREW-TAPPING; TH,+,NO,2S,M4,L8,ZPC(WHT),	SA	1
1-1-2	4		DA67-04566A	CAP-HOSE DRAIN; 3050 BMF,NBR,BLACK,RUBBER	SA	1
1-2	3		DA67-04566A	CAP-HOSE DRAIN; 3050 BMF,NBR,BLACK,RUBBER	SA	1
1-3	3		DA97-16634B	ASSY PIPE SUCTION-SUB; RB5000J,BK, 3050-2	SNA	1
1-3-1	5		DA62-01018A	SEAL CUTT-RUBBER; RR2500K,RUBBER,BLACK,T5	SA	1
2	2		DA97-15445A	ASSY CABI FRAME-REAR; RB5000J,A+++	SNA	1
3	2	A0004	DA97-15447A	ASSY CABI FRAME; RB5000J,SL/SS/SA, A+++	SNA	1
4	2	Z1128	DA61-07546B	LEG-FRONT; GRAND CRU,PP,BLACK,RM60,PP Scr	SA	2
5	2		DA61-08932A	CAP CONTROL-PANEL; 3050,ABS,HB,HG-0760GP,	SA	1
6	2		DA63-08030A	COVER WIRE-DOOR; RB5000J,ABS,T1.8,HB,INOX	SA	1
7	2		DA63-08035A	COVER WIRE-HINGE RIGHT; RB5000J,ABS,HB,IN	SA	1
8	2		DA66-00073C	WASHER-SHAFT, C; SR-32,35,PVC,T1.0	SA	1
9	2	A0297	DA67-02684A	CAP SCREW; GRAND CRU,ABS,T1,HB,HG-0760GP,	SA	2
10	2		DA67-03725A	CAP SCREW; 3050,PP,HB,INOX GRAY	SA	1
11	2		DA67-03989A	CAP SPACE-DOOR RIGHT; RB5000J,ABS,T1.8,HB	SA	1
12	2		DA91-04476A	ASSY INSTALL-ACCESSORY; INOX GRAY	SA	1
12-1	3		DA63-08034A	COVER WIRE-HINGE LEFT; RB5000J,ABS,HB,INO	SA	1
12-2	3		DA67-03988A	CAP SPACE-DOOR LEFT; RB5000J,ABS,T1.8,HB,	SA	1
13	2	A0515	DA97-13557B	ASSY HINGE LOW; 3050(BMF)	SA	1
13-1	3	A0247	DA61-08990A	HINGE-LOW; 3050PJ,PO-SPHC,T3,LMF	SA	1
13-2	3	A0516	DA61-08991B	GUIDE-AUTO CLOSE; 3050PJ,PA66,HB,HG-0760G	SA	1
13-3	3	A0518	DA66-00385A	SHAFT-HINGE; CORE,SWRCH10A,L17,OD6,T6,ZPC	SA	1
13-4	3	A0848	DA81-01532A	SCREW-MACHINE; BH,+,M5,L12.7,ZPC(WHT),SWR	SA	1
14	2	M0306	DA97-13562A	ASSY COVER-PCB PANEL; 290, 310,GI,3050	SA	1
15	2	A0513	DA97-13564A	ASSY HINGE MID; 3050_BMF	SA	1
16	2	G0022	DA97-13615A	ASSY COVER CONTROL-PANEL; 3050PJT,ASSY,IN	SA	1

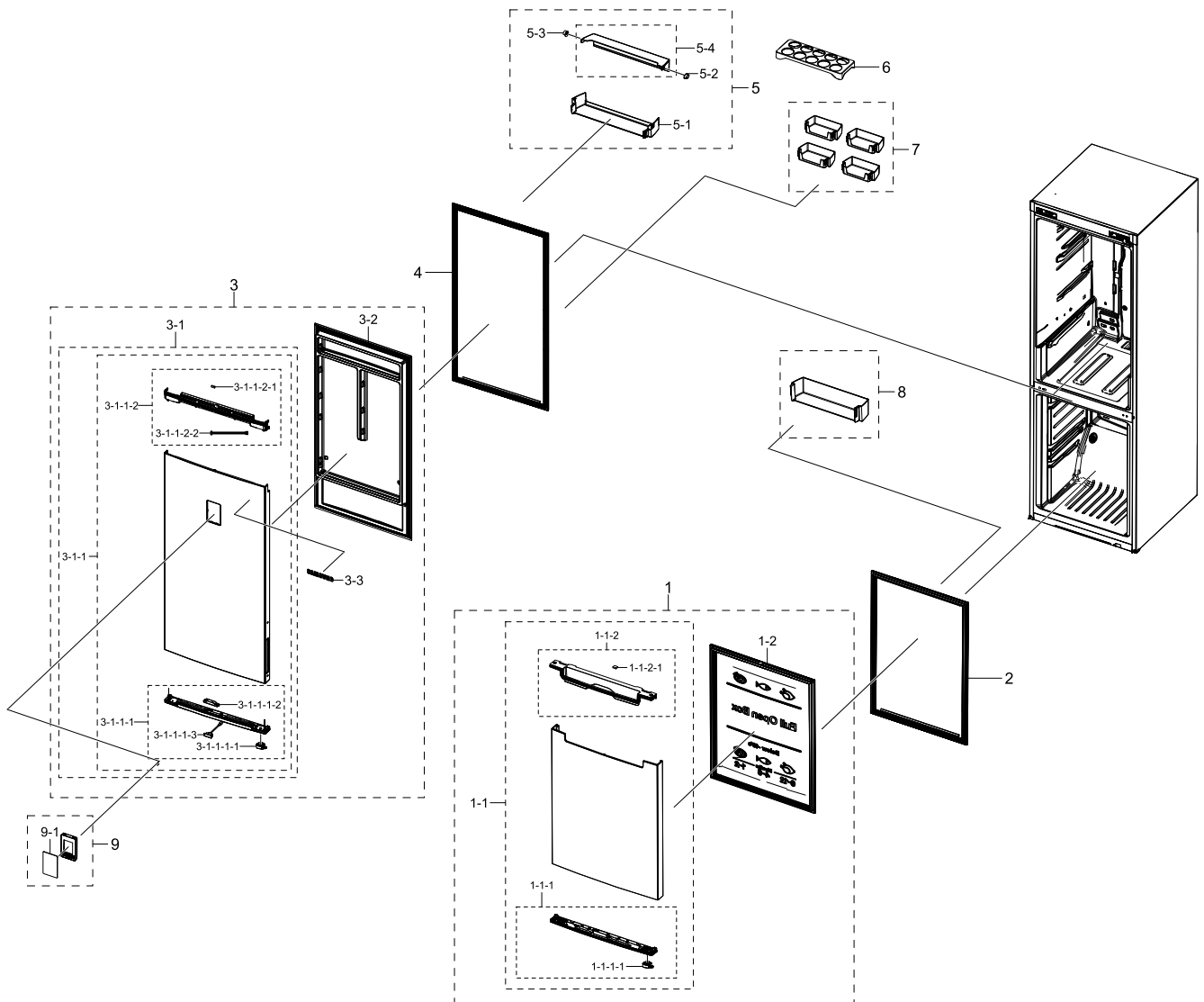
No.	Lvl.	Loc.	Material Code	Description & Specification	SNA	Qty.
16-1	3	G0068	DA34-00043A	SWITCH REED; UL1007 AWG 22,100mm,DEM1-B50	SA	1
16-2	3	A0506	DA63-07353A	COVER-CONTROL PANEL; 3050,ABS,HB,INOX GRA	SA	1
17	2	A0705	DA97-13567A	ASSY HINGE UPP; 3050_BMF	SA	1
17-1	3	A0510	DA97-13566A	ASSY HINGE UPP-SUB; 3050_BMF	SA	1
17-2	3	A0518	DA66-00385A	SHAFT-HINGE; CORE,SWRCH10A,L17,OD6,T6,ZPC	SA	1
18	2	A0273	3903-000794	POWER CORD-AT; H05VV-F 3x0.75mm2,BLK,EU3F	SA	1
19	2	A0562	DA39-20389A	ASSY WIRE HARNESS-EARTH; EARTH,ALL,,,,,FR	SA	1
20	2		DA60-00018A	SCREW MACHINE; TH,+,M4,L12,PASS,STS304,1	SA	1
21	2		DA60-00279A	FITTING-LOKRING 16; SUM23,16, 11SMnPb30K	SA	1
22	2		DA60-00280A	FITTING-LOKRING 33; SUM23,33, 11SMnPb30K	SA	1
23	2		DA60-00281A	FITTING LOKRING; SUM23,ID5.02,11SMnPb30K,	SA	1
24	2	A0328	DA60-90005A	FASTENER-RIVET; RR19,RR20,RR22,RR26,RT28,	SNA	1
25	2	A0669	DA62-04309A	DRYER; C1220T-H,L137,SINGLE MOUTH,For VAL	SA	1
26	2	A0523	DA73-10190U	PIPE-CONNECT DISC,B; ALL,Cu,C1220T,OD6.35	SA	1
27	2		DA63-08943A	GROMMET; BR9000M,NBR,CAP GROMMET	SA	1
28	2		DA72-60040W	SEAL-CUTT RUBBER; TD-PJT,RUBBER,BLACK,T5,	SA	2
29	2		DA62-04537A	PIPE SUCTION-CONNECT; RB7000J,Cu,C1220T-O	SA	1
30	2	A0529	DA97-15474A	ASSY TRAY DRAIN WATER; RB5000J,STEP VALVE	SA	1
31	2	A0526	DA97-15476A	ASSY CHASSIS COMP; BK(7000,8000),C-FAN,CO	SA	1
31-1	3	A0861	DA60-90146A	PIN-CASTER; SR-289-429,MSWR10,L38,ZPC2	SA	2
31-2	3	A0527	DA61-06202A	CASTER-REAR; GRAND-CRU,PP,NATURAL	SA	2
31-3	3		DA97-15648A	ASSY CHASSIS SUB COMP; BK(7000,8000),SUB	SNA	1
32	2	G0270	DA97-12330B	ASSY PIPE-CONDENSER; GRAND CRU,SPIRAL, AL	SA	1
32-1	3	M0181	DA63-40128A	GROMMET-SUB COND; -,NBR,-,-,-,-,-,DARK-	SA	2
33	2		NC4MVA1ALP/TT1	CMP,COMP,REFRIGERATOR,R-600A; CMP,COMP,REFRIGERATOR,R-600A		1
33-1	3	Z1112	DA63-02617A	GROMMET COMP; USP05,EPDM,OD27.0,BLACK	SA	4

Exploded Views and Parts List

No.	Lvl.	Loc.	Material Code	Description & Specification	SNA	Qty.
33-2	3	Z1032	DA63-06122A	COVER RELAY; MSV,MPPO,T2,BLACK,V-0	SA	1
33-3	3	A0575	DA34-00004D	RELAY PROTECTOR O/L; 4TM445PHBYY-82,BLDC,	SA	1
34	2		DA97-13563S	ASSY CABI FRAME-BOTTOM; 3050,Nonflammable	SNA	1
35	1		DA92-00228F	ASSY PCB INVERTER; INVERTER,ARAM,148*98.5	SA	1
36	1	A0952	DA92-00700A	ASSY PCB MAIN; TWIN COOLING,RB5000J, RB70	SA	1
37	2	M0076	DA97-15477D	ASSY COVER COMP; BK65,A++,A+++,3050-2M,A+	SA	1
37-1	3		DA61-09324A	HOLDER WIRE; 3050,PP,BLACK,RM60,PP SCRAP	SA	1
37-2	3	M0076	DA97-15477A	ASSY COVER COMP; BK65 (RB7000J)	SA	1
38	2	M0116	DA97-15301B	ASSY SUPPORT-CIRCUIT MOTOR; GRAN CRU,C-15	SA	1
39	2	M0296	DA64-02605C	TRIM-BLADE; GRAND CRU,PVC,SHGS-L130-67-01	SA	2
40	2		DA62-04678B	VALVE STEP; DC12V,MODULE,2WAY,RIGHT/RIGHT	SA	1
41	2	M0489	DA27-00032E	COIL FILTER; 14mH,82*60,AC 3A,0.47uF / 0.	SA	1
42	2		DA92-00701A	ASSY PCB SUB; RELAY PBA,RB5000J, BK60,60.	SA	1

4. Door

Exploded View



Parts List

No.	Lvl.	Loc.	Material Code	Description & Specification	SNA	Qty.
1	2	M0063	DA91-04336D	ASSY DOOR FOAM-FRE; RB37* SA COLOR, RECES	SA	1
1-1	3		DA97-15441C	ASSY PLATE DOOR-FRE; RB5000J,METAL GRAPHI	SNA	1
1-1-1	4		DA97-13583F	ASSY CAP DOOR-LOW; 3050 BMF,BLACK,FRE	SNA	1
1-1-1-1	5		DA66-01011B	LEVER-AUTO CLOSE; 3050PJ,POM,EBONY BLACK,	SA	1
1-1-2	4		DA97-13584A	ASSY CAP DOOR-FRE UPP; 3050,BMF,INOX GRAY	SNA	1
1-1-2-1	5	A0534	DA61-03769B	MAGNET; SVETA,FERRITE,1600Gauss	SA	1
1-2	3		DA64-04431E	PANEL-FRE; RB5000J,HIPS,T1.1,W567.2,H737,	SNA	1

Exploded Views and Parts List

No.	Lvl.	Loc.	Material Code	Description & Specification	SNA	Qty.
2	2		DA97-09036A	ASSY GASKET-FRE; 3050,L708.5 W539.5,GRAY,	SA	1
3	2	Z1100	DA91-04332N	ASSY DOOR FOAM-REF; RB37*,METAL GRAPHITE,	SA	1
3-1	3		DA97-15442C	ASSY PLATE DOOR-REF; RB5000J,MG, EXTERIOR	SNA	1
3-1-1	4		DA97-19843A	ASSY CAP DOOR; 3050,INOX GRAY,EXTERNAL DI	SNA	1
3-1-1-1	5	A0048	DA97-13587A	ASSY CAP DOOR-REF LOW; 3050,BMF,INOX GRAY	SNA	1
3-1-1-1-1	6		DA66-01011B	LEVER-AUTO CLOSE; 3050PJ,POM,EBONY BLACK,	SA	1
3-1-1-1-2	6	G0271	DA67-02385L	CAP-REED SWITCH; SVETA-PJT,PP,NOBLE GRAY	SA	1
3-1-1-1-3	6		DA34-00043J	SWITCH REED; UL1007 AWG 22,50mm	SA	1
3-1-1-2	5		DA97-15440A	ASSY CAP DOOR-REF UP; RB5000J,INOX GRAY	SNA	1
3-1-1-2-1	6	A0534	DA61-03769A	MAGNET-A; HERMES,FERRITE,1600Gauss	SNA	1
3-1-1-2-2	6		DA96-01115A	ASSY WIRE HARNESS-DOOR; RB5000J,EXTERNAL	SNA	1
3-2	3		DA64-04815A	PANEL-REF; RB5000J,HIPS,T1.1,W567,H1134.1	SNA	1
3-3	3	M0196	DA64-04020C	MASCOT; ALL,Ni,T0.06,L80	SA	1
4	2		DA97-08977A	ASSY GASKET-REF; 3050,L1103 W539.5,GRAY,P	SA	1
5	2	A0636	DA97-15689A	ASSY GUARD DAIRY; 3050_BMF,ASSY	SA	1
5-1	3		DA63-07404A	GUARD-DAIRY CASE; 3050,GPPS,TP BLUE,HB,16	SA	1
5-2	3		DA67-02920A	CAP-HINGE DAIRY R; HERMES,POM,K300,NATURA	SA	1
5-3	3		DA67-02921A	CAP-HINGE DAIRY L; HERMES,POM,K300,NATURA	SA	1
5-4	3		DA63-07405A	GUARD-DAIRY COVER; 3050,GPPS,3,TP BLUE,HB	SA	1
6	2	A0656	DA63-06221A	TRAY EGG; GRAND-CRU,GPPS,T2.1,92,252.9,TP	SA	1
7	2	A0153	DA63-08117A	GUARD VARIETY; RB5000J,GPPS,T3,TP BLUE,16	SA	4
8	2	A0151	DA63-08118A	GUARD BOTTLE; RB5000J,GPPS,T3,TP BLUE	SA	1
9	2	A0626	DA97-13300Y	ASSY COVER CONTROL; RB5000J,3050-2M, Exte	SA	1
9-1	3		DA64-05039N	INLAY-CONTROL; RB5000J,PC,3050-2M, Extern	SA	1