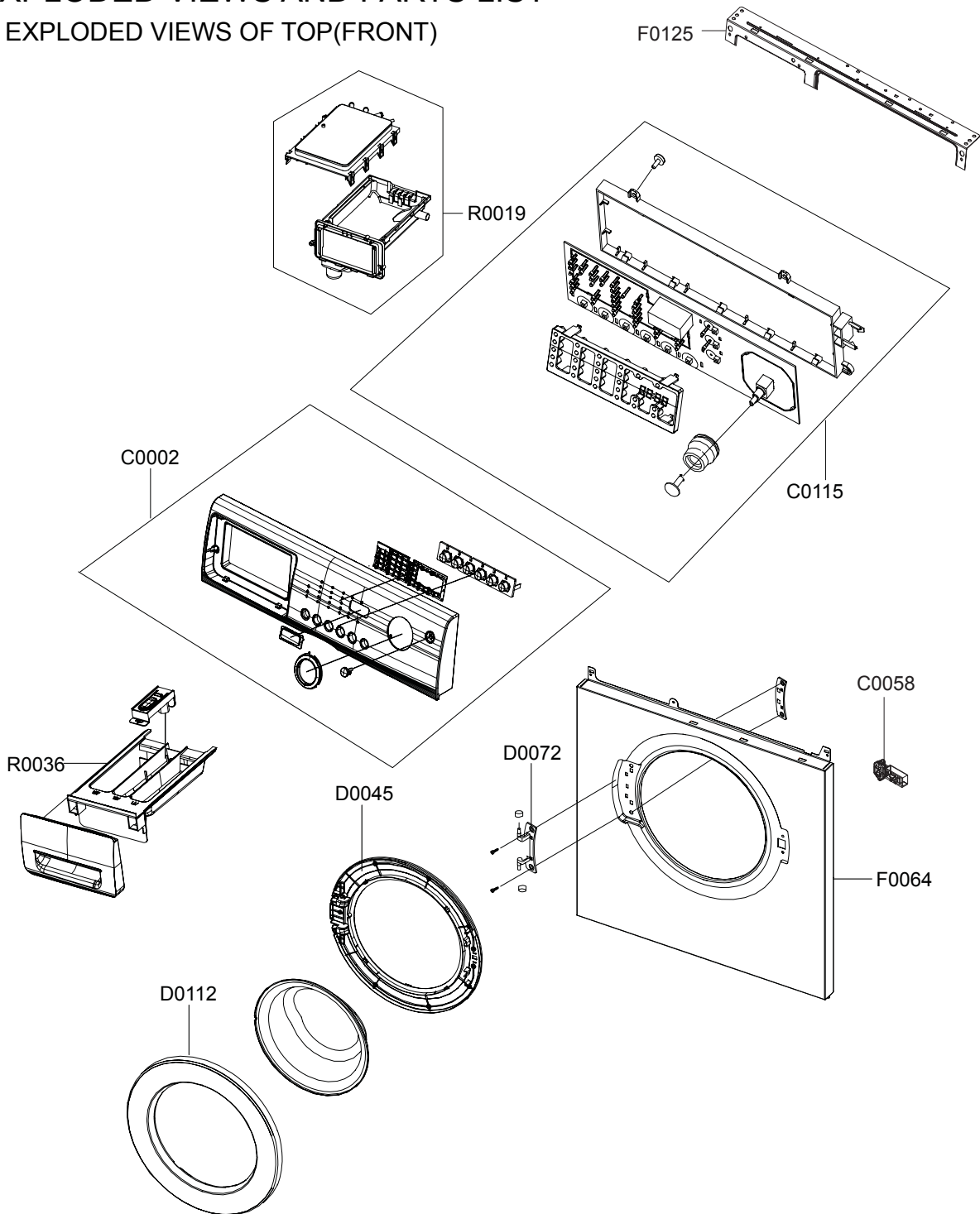


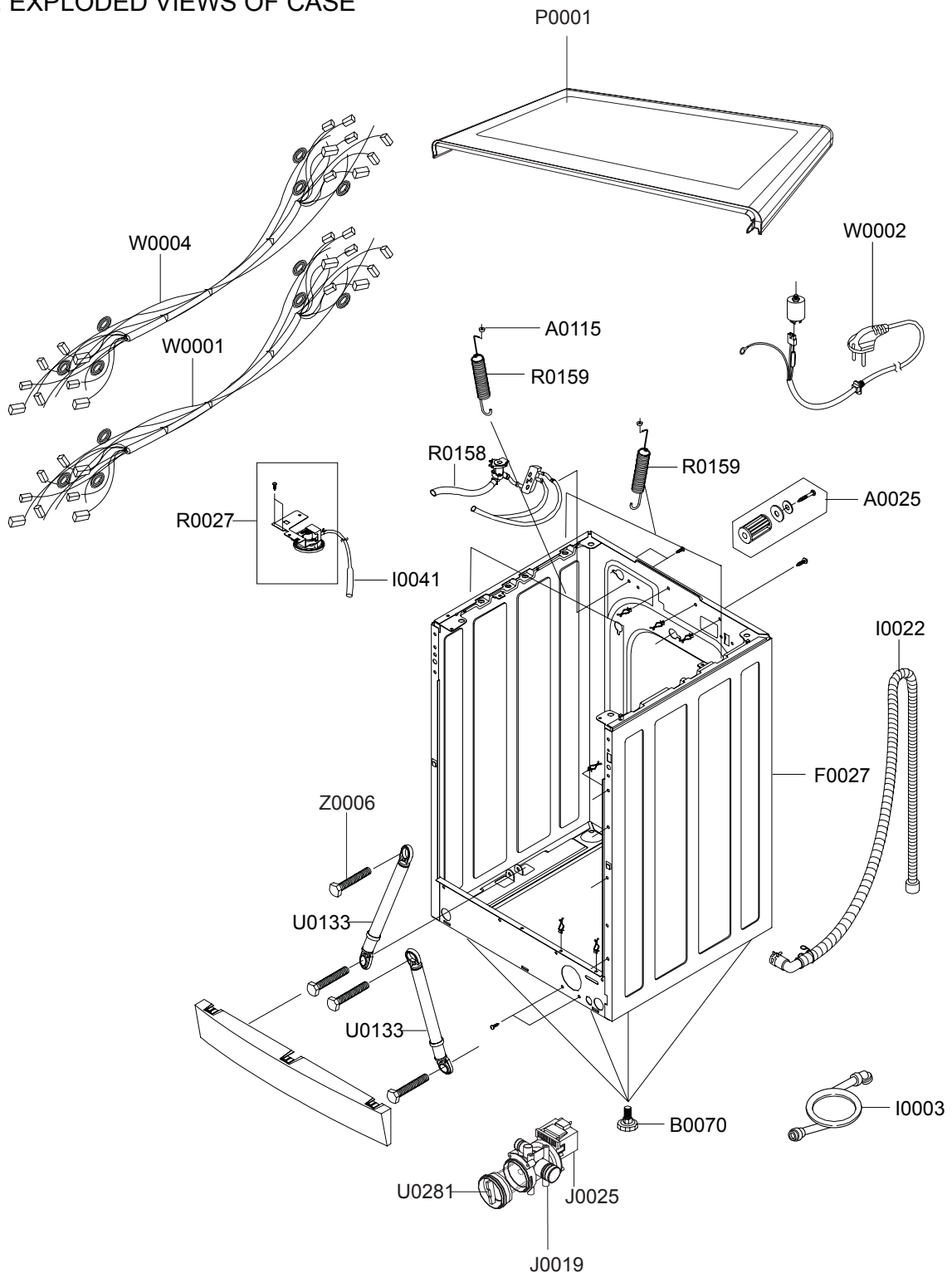
7. EXPLODED VIEWS AND PARTS LIST

7-1. EXPLODED VIEWS OF TOP(FRONT)



TOP(FRONT)

7-3. EXPLODED VIEWS OF CASE



(CASE)

7-4. PARTS LIST FOR WF7604NAW/XEE

SVC-cod	Low Material	Description	SPECIFICATION	Qty	UN	SA/SNA
A0025	DC91-12102A	ASSY FIXER TUB	-,SWF-P12,-,-,-,-	5	PC	SA
A0029	DC97-04327A	ASSY MALE ADAPTER	-,P1405J/SESAB,METER/C	1	PC	SA
A0034	DC60-40146A	BOLT-SPANER	-,CR,-,T2.5,OD36,-,-,-,-	1	PC	SA
A0043	DC61-10688A	CAP-FIXER	SWF-P12,PP(TB53),-,-,-,WHT,-,	5	PC	SA
A0043	DC67-00208A	CAP-FIXER	J1453GW/XEU,PP,T1.5,NTR	1	PC	SA
A0114	DC61-20235A	SHUTTER	DANPLA-BB110,WHT	1	PC	SA
A0115	DC61-60180A	SLEEVE-PLUG	NYLON#6,SEW-720DR,-,-,NTR	3	PC	SA
A0132	DC61-10673A	CAP-DRAIN	SWF-P12,PP(TB53),-,-,-,WHT,-,	1	PC	SA
A0282	DC63-00414B	COVER-BACK	SEW-3HR103BT,GI,T0.4,-,-,-,-,	1	PC	SA
A0328	DC64-01266A	PANEL-DRAWER	WF-C863,ABS,T2.5,-,-,-,WHT,	1	PC	SA
A0358	DC96-00171A	ASSY WIRE EARTH	P-PJT(DRUM),-,-,WIRE/UL1	1	PC	SA
A0362	DC61-40081A	HOLDER-WIRE	DAWH-2NC,NYLON,NTR(PI18.5)	3	PC	SA
B0070	DC97-14289A	ASSY LEG	ALL MODEL,Φ39 NUT-HEX FLANGE,-,	4	PC	SA
C0002	DC97-13185Z	ASSY PANEL CONTROL	WF7604NAE/XEE,-,-,KT/	1	PC	SA
C0058	DC64-01538A	DOOR-LOCK S/W	ZV-446L5,PA66,T19.5,-,W95.	1	PC	SA
C0115	MFS-KTB-4NPH-02	ASSY-PCB PARTS(M)	MFS-KTB4NPH-02	1	PC	SA
D0003	DC61-02256A	HINGE-DOOR	WF8704SDW,ALDC,T2.3,-,-,-,-,A	1	PC	SA
D0045	DC97-15476A	ASSY-HOLDER GLASS	ADONIS&KT,WF8704SDW,-,	1	PC	SA
D0049	DC61-01578B	BRACKET-HOLDER	KT&TD MODEL,SK5,T1.2,-,-,-,	1	PC	SA
D0072	DC61-00891A	GUIDE-HINGE	HAUZEN(DOM),POM,-,-,-,WHT,HI	4	PC	SA
D0076	DC64-00564A	HANDLE-PIN	Q1636GW/XEU,STS,-,-,-,-,TS-	1	PC	SA
D0112	DC63-00967A	COVER-DOOR SWITCH	AEGIS-PJT/ WF8500NHW,P	1	PC	SA
F0027	DC99-00721Q	ASSY PAINT FRAME	KT,P1471GW,SSEC/KT P GE	1	PC	SA
F0064	DC97-11235F	ASSY FRAME FRONT	ADONIS,WF8704SDW/XEG,EG	1	PC	SA
F0125	DC61-01639A	FRAME-PLATE(U)	WF-C863,GI,-,-,-,T1.2,-,-,-	1	PC	SA
I0003	DC62-10289C	HOSE-WATER(C)	RUSSIA,PVC+NYLON,ID10.3,-,	1	PC	SA
I0022	DC97-14291B	ASSY HOSE DRAIN(O)	UG-KT/TROIKA/GERMANY,	1	PC	SA
I0030	DC62-10278A	HOSE-HANGER	PP,NTR,JS20 RESIN	1	PC	SA
I0041	DC62-10311A	HOSE-PRESSURE	-,EPDM,ID13.5,-,-,-,BLK,SW	1	PC	SA
I0043	DC67-00205A	HOSE-AIR	ALL-MODEL,EPDM,ID16,OD33,T 1.7,L	1	PC	SA
I0046	DC67-00244A	HOSE-DRAIN	HOSE-DRAIN,EPDM,ID6,OD11,T2.5	1	PC	SA
I0047	DC61-01136A	CLAMPER HOSE	F1235J,SK5,-,T1.0/ID14.8,WH	4	PC	SA
I0047	DC61-01136A	CLAMPER HOSE	F1235J,SK5,-,T1.0/ID14.8,WH	1	PC	SA
J0019	DC61-01674E	CASE-PUMP	WF7600SUV/ XEO,PP,T2.5,W65,L94,	1	PC	SA
J0025	DC31-30008D	PUMP-DRAIN	SW-70XP,220/ 240V,50Hz,SYNCHRO	1	PC	SA
P0001	DC97-13010B	ASSY COVER TOP	WF7602SAV/YLP(WHT),WF7602	1	PC	SA

7-4. PARTS LIST FOR WF7604NAW/XEE

SVC-cod	Low Material	Description	SPECIFICATION	Qty	UN	SA/SNA
R0001	DC97-01463F	ASSY DRUM	P1205/KRNJM,LEFTER TYPE/ NEW-DR	1	PC	SA
R0002	DC66-10179B	DRUM-FRONT	SB-PJT,STS430,-,-,-,T0.4	1	PC	SA
R0005	DC66-10178A	DRUM-BACK	SWF-P12,STS430,-,-,-,T0.5	1	PC	SA
R0007	DC97-01115A	ASSY FLANGE SHAFT	1000/1200RPM,ALDC+SM45	1	PC	SA
R0017	DC97-13901A	ASSY DRUM LIFTER	B MODEL,SSEC/B MODEL,-,	3	PC	SA
R0019	DC97-12026A	ASSY HOUSING DRAW- ER	B/P MODEL,2 WAY/COLD	1	PC	SA
R0027	DC97-00731A	ASSY SENSOR PRES- SURE	P1091,S-PRE+BRAKET	1	PC	SA
R0030	DC91-12078A	ASSY WIRE DIAPHRAGM	SWF-P12,FRAME-FRONT,	1	PC	SA
R0036	DC61-02159A	BODY-DRAWER	T-PJT/STANDARD-TYPE,PP,T2.0,	1	PC	SA
R0065	DC63-00450A	COVER-FRONT	S821,PP,T1.8,-,-,-,WHT,GUI	1	PC	SA
R0106	DD60-50018A	NUT-FLANGE	MSWR10,M5XP0.8,FZY	2	PC	SA
R0124	DC61-02139A	STOPPER-DRAWER	STANDARD MODEL,PP-TD30,T2	1	PC	SA
R0147	6011-001492	BOLT-FLANGE	M8,L25,PASS,STS304,NYLOCK,P1	3	PC	SA
R0158	DC67-00051D	HOSE-DRAWER	S1093~S6093,EPDM,BLK,SLIM-PJ	0.46	M	SA
R0158	DC67-00285A	HOSE-DRAWER TUB	JUMP2-MODEL,EPDM,ID40,OD	1	PC	SA
R0159	DC61-70217C	SPRING-HANGER	P1291,HSWR,CD3.2,-,-,L175,	2	PC	SA
R0159	DC61-70216D	SPRING-HANGER	SEW-810DR,HSWR,CD3.5,-,-,L	1	PC	SA
U0003	DC60-60044B	WASHER-PLAIN	-,SBC,ID8.4/OD30,T2.0,-,-,-	5	PC	SA
U0003	DC60-60044A	WASHER-PLAIN	-,ID10.5,OD30,T3,-,STS304	2	PC	SA
U0004	DC63-10003C	SPONGE-HOSE AIR	POL,GRY,SWF-P12,HB22-GRE	1	PC	SA
U0005	DC60-60040A	FASTENER-WASHER	-,ID10.5,OD32,T2,-,PBSP-	5	PC	SA
U0010	DC66-10176B	PULLEY	P1291,-,-,-,-,ID12.5	1	PC	SA
U0015	DC31-00002F	MOTOR UNIVERSAL- DRUM	HXGM4I,0~17000,-,22	1	PC	SA
U0016	DC62-00008A	SEAL-OIL	-,NBR(SD35),BLK,-,-,-,NBU(PI15)	1	PC	SA
U0018	DC47-00013B	HEATER	-,Q2-PJT,-,2000W,8.7A,230,26,D1.3	1	PC	SA
U0018	DC63-00845A	COVER-HEATER	ALL MODEL,ABS,V0 GRADE	1	PC	SA
U0023	DC61-00201A	BRACKET-NUT	SBHG-R,P1291,T3,-,-,-,NO-PAI	1	PC	SA
U0023	DC61-40348B	BRACKET-NUT	SBHG-R,P1291,T3,-,-,-,NO-PAI	2	PC	SA
U0023	DC61-40348B	BRACKET-NUT	SBHG-R,P1291,T3,-,-,-,NO-PAI	5	PC	SA
U0028	DC61-10676A	CAP-TRAP	SWF-P12,PP(TB53),-,-,-,-,	1	PC	SA
U0029	DC61-20219A	DOOR-DIAPHRAGM	EPDM,-,-,-,-,-,GRY,SWF-	1	PC	SA
U0030	DC61-30346C	TUB-FRONT	P1405J,FRPP(FRPP15%)SAMBA CK,-,	1	PC	SA
U0033	DC62-10304A	HOSE-FILTER TUB	-,EPDM,ID65,-,-,L151,BLK	1	PC	SA
U0038	DC91-12077D	ASSY CLAMP DIAPH- GRAM	WF-B853/XSC,TUB,-,S	1	PC	SA
U0078	DC97-10977U	ASSY SEMI TUB BACK	UG-KT PJT,-,-,FRPP(GF	1	PC	SA
U0095	6602-001497	BELT-TIMING GEAR	-,RUBBER(GATES),T3.4,-,	1	PC	SA

7-4. PARTS LIST FOR WF7604NAW/XEE

SVC-cod	Low Material	Description	SPECIFICATION	Qty	UN	SA/SNA
U0133	DC66-00343G	DAMPER-SHOCK	GW-PJT,STEEL+PP+RUBBER,100N	2	PC	SA
U0281	DC97-15785A	ASSY CASE FILTER	TRIUMPH/CATS/TROIKA,GER	1	PC	SA
U0307	DC61-00041A	CUSHION-MOTOR	SWF-6V,BUTYL,-,-,-,ID16/OD	1	PC	SA
U0320	DC60-40144A	BOLT-HEX	SM10C,L41,ZPC2(YEL),M10,ZPC2(YE	2	PC	SA
U0320	DC60-40141A	BOLT-HEX	SM10C/DAMPER,HEX,M8,L66,-,ZPC2(2	PC	SA
U0328	DC62-40183A	PACKING-TUB	SWF-P12,EPDM,-,-,-,-,BLK,-	1	PC	SA
U0353	DC61-60359E	CLAMPER HOSE	F1235AS/F1035AS,SK5,-,ID7.8	1	PC	SA
U0353	DC61-60497A	CLAMPER HOSE-JOINT	SWF-P12,HSWR,-,ID70/O	1	PC	SA
U0353	DC65-00019A	CLAMPER HOSE	DRUM W/M,SK5,-,D34/H5/T1.5,	2	PC	SA
U0353	DC61-00133A	CLAMPER HOSE-FIX	P1291,PP,ID24.5,OD29.5,	2	PC	SA
U0355	DC66-60153A	WEIGHT-BALANCER	SWF-P12,CONCRETE,UPPER,	1	PC	SA
U0355	DC66-60154A	WEIGHT-BALANCER	SWF-P12,CONCRETE,LOWER,	1	PC	SA
U0360	DC61-60499B	CLIP-TUB	HSWR,P1291,-,NO/PAINT,	6	PC	SA
U0360	DC61-60520A	CLIP-TUB	SK5,SWF-P12,-,PLATE-TYPE,	2	PC	SA
W0001	DC96-01169B	ASSY WIRE HARNESS	KT-CIS-SUB WIRE,WF7602	1	PC	SA
W0002	DC96-00146A	ASSY POWER CORD	UCP2,250V/16A,-,1500/EUR	1	PC	SA
W0004	DC96-01173A	ASSY M. WIRE HARNESS	TRIUMPH(A)-PJT WF-J	1	PC	SA
W0010	DC63-00651A	COVER-HEATER	Q1657TGW/XEU,GI,T0.4,-,-,-,	1	PC	SA
W0031	DC65-60118K	BAND-RING	HSWR,YEL,PI2.0,OD22,ID18	1	PC	SA
W0031	DC65-60118P	BAND-RING	WF-F105AV,HSWR,T3.0,-,-,YEL,ID	1	PC	SA
W0040	DC62-00024F	VALVE-WATER	B1215J,NYLON66/250TRMN,-,-,N	1	PC	SA
Y0115	3501-001154	RELAY-MINIATURE	12Vdc,200mW,3000mA,1Form	1	PC	SA
Z0004	DC60-50148B	NUT-HEX	SM20C(NYLON),M12,-,-,ZPC3(YEL),-	1	PC	SA
Z0006	DC97-02412J	ASSY BOLT	R-PJT,SK5/ID7.5/OD15.4/T2,-,-,	1	PC	SA
Z0006	DC97-02412K	ASSY BOLT	S-PJT,SK5/ID7.5/OD15.4/T2,-,-,	2	PC	SA
Z0006	DC97-02412M	ASSY BOLT	B-PJT,SK5/ID7.5/OD15.4/T2,-,-,	3	PC	SA