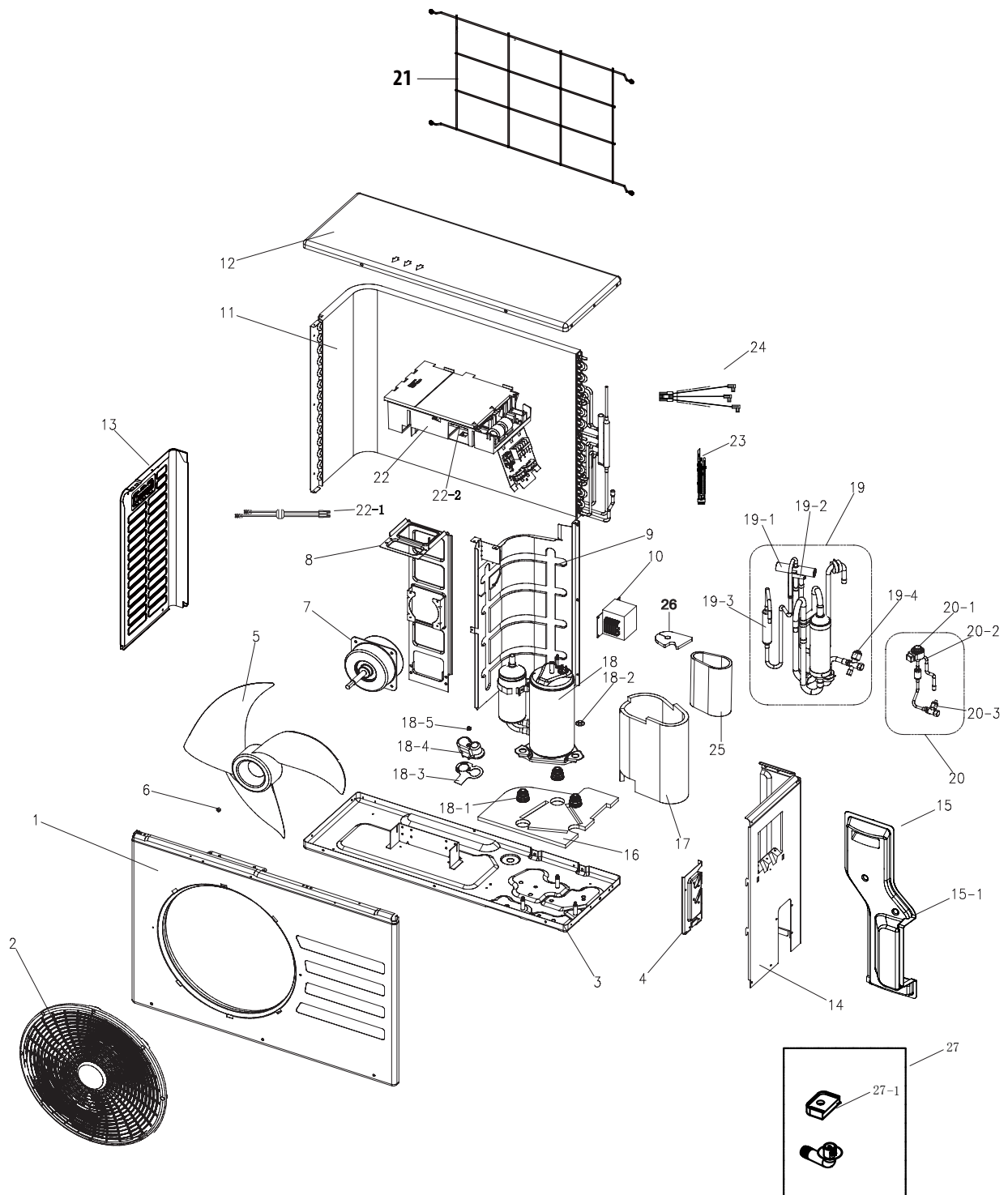


## 5-2 Outdoor Unit

# AR18FSSDWUXEU



NO	Parts. Code	Parts. Description	Spec.	QT' Y	SA/SNA
1	DB90-07180E	ASSY CABI FRONT	RAC, GY0180 (Earth brown)	1	SA
2	DB63-00838C	GUARD FAN	ARX-CP153, PP, EARTH BROWN, U3-PJT	1	SA
3	DB90-03103A	ASSY BASE OUT	MH052FXEA2A, SSEC FJM	1	SNA
4	DB61-01593C	BRACKET-VALVE	P/Q, SGCC-M, T1. 5, 102, 218, WHITE, RAC	1	SA
5	DB67-00142A	FAN-PROPELLER	APE2468, SAN-GF20, OD420, 3, T2. 5, BLK	1	SA
6	DB60-30020A	NUT-HEXAGON FLANGE	M6, Zn-Ni, MSWR3, CLOCKWISE	1	SNA
7	DB31-00610B	MOTOR FAN	FMD6531SSAA, 50[W], DC310V, CLASS E	1	SA
8	DB61-00686D	BRACKET MOTOR	Q, SGCC-M, 1. 2, W130, L598. 6, SSEC	1	SA
9	DB94-03705A	ASSY PARTITION	Q Chassis INV, PF2 C/BOX, SSEC	1	SA
10	DB27-00042B	COIL CHOKE-REACTOR	forte, 5mH, 5%, 15A	1	SC
11	DB96-18249A	ASSY COND	Q COND, 2R, FP1. 5, corrugate-fin	1	SA
12	DB90-07183C	ASSY CABINET-UP	RAC, GY0180 (Earth brown)	1	SA
13	DB90-07172A	ASSY CABI LF	Q PFC, GY0180 (Earth brown)	1	SA
14	DB90-07173N	ASSY CABINET-SIDE RH	RAC, SSEC	1	SA
15	DB90-07459B	ASSY-COVER VALVE	Q, SSEC	1	SA
15-1	DB63-02545B	COVER VALVE	Q chassis, PP, 2. 0, GY0180, SSEC	1	SNA
16	DB63-01718A	FELT-COMP BASE	Forte2-INV, FELT+EVAR, T8+T2, 291. 4, 293. 6, SSEC	1	SNA
17	DB63-02344A	FELT-COMP SIDE	-, FELT+PVC, T11. 6, 295, 615, GRAY, SSEC	1	SA
18	UG4T150FUDEQSS	RCP, 44 TWIN A INV, F, R410A		1	SA
18-1	DB63-02296A	GROMMET ISOLATOR	44F, NR, L32. 5, ID11. 5, OD26. 0, BLACK, BLACK	3	SNA
18-2	DB60-30028A	NUT-FLANGE	HWH, M8, ZPC (WHT), SWRCH18A, P1. 25/Washer Type	3	SNA
18-3	DB63-00817B	GASKET	A/C model, SIR, T0. 8, 26. 0, L80, A/C model use	1	SA
18-4	DB63-02310A	COVER TERMINAL	SABIC N1250, 2. 5, BLACK, no OLP	1	SA
18-5	6021-001142	NUT-HEXAGON FLANGE	-, M5, ZPC (YEL), SWCH10A, SERRATION	1	SNA
19	DB96-18247A	ASSY-TUBE 4WAY	HP, 13Y Q, SSEC	1	SA
19-1	DB62-11179A	VALVE-4WAY	., 2HP, COMMON	1	SNA
19-2	DB96-06998F	ASSY-SOLENOID COIL	WW3, SSEC	1	SNA
19-3	DB97-02054A	ASSY MUFFLER SUCT	SS-PJT, -, SSEC	1	SNA
19-4	DB62-02285A	VALVE SERVICE-SPINDLE	., 1/2", R410A, FLARE	1	SA
20	DB96-18246A	ASSY-EEV VALVE	18K Q, SSEC	1	SA
20-1	DB62-11205F	VALVE-COIL EXPAN	., DC12V, 700	1	SNA
20-2	DB62-04065A	VALVE EXPAN	SUS, 500, 1. 6	1	SNA
20-3	DB62-02283A	VALVE SERVICE-SPINDLE	., 1/4", R410A, FLARE	1	SNA
21	DB98-29143A	ASSY-LABEL BAR CODE	WAC MODEL	2	SNA
22	DB93-13816C	ASSY CONTROL OUT	HP, INV, 18, AR18FSSKABEXEU	1	SNA
22-1	DB93-09493F	ASSY CONNECTOR WIRE	MALDIVE, SSEC	1	SA
22-2	DB93-13183E	ASSY PCB MAIN-OUT	13R CRYSTAL WIFI, PF#2-	1	SA
23	DB95-04637D	ASSY THEMISTOR	CAC, SSEC	1	SA
24	DB93-12849B	ASSY CONNECTOR WIRE-COMP	AQV09PSBX, AWG#14	1	SA
25	DB63-02343A	FELT-COMP SIDE OUT	-, FELT+PVC, T6. 6, 370, 800, GRAY, SSEC	1	SA
26	DB63-03458A	FELT-COMP TOP OUT	RAC, FELT+EVAR, T5+T1. 5, 287, 238, SSEC	1	SNA
27	DB97-02066C	ASSY ACCESSORY	HP, NO, 18000, NO, -, N, SH18AW6X, SSEC	1	SA
27-1	DB73-20134A	RUBBER-LEG	NBR, BLACK	4	SA