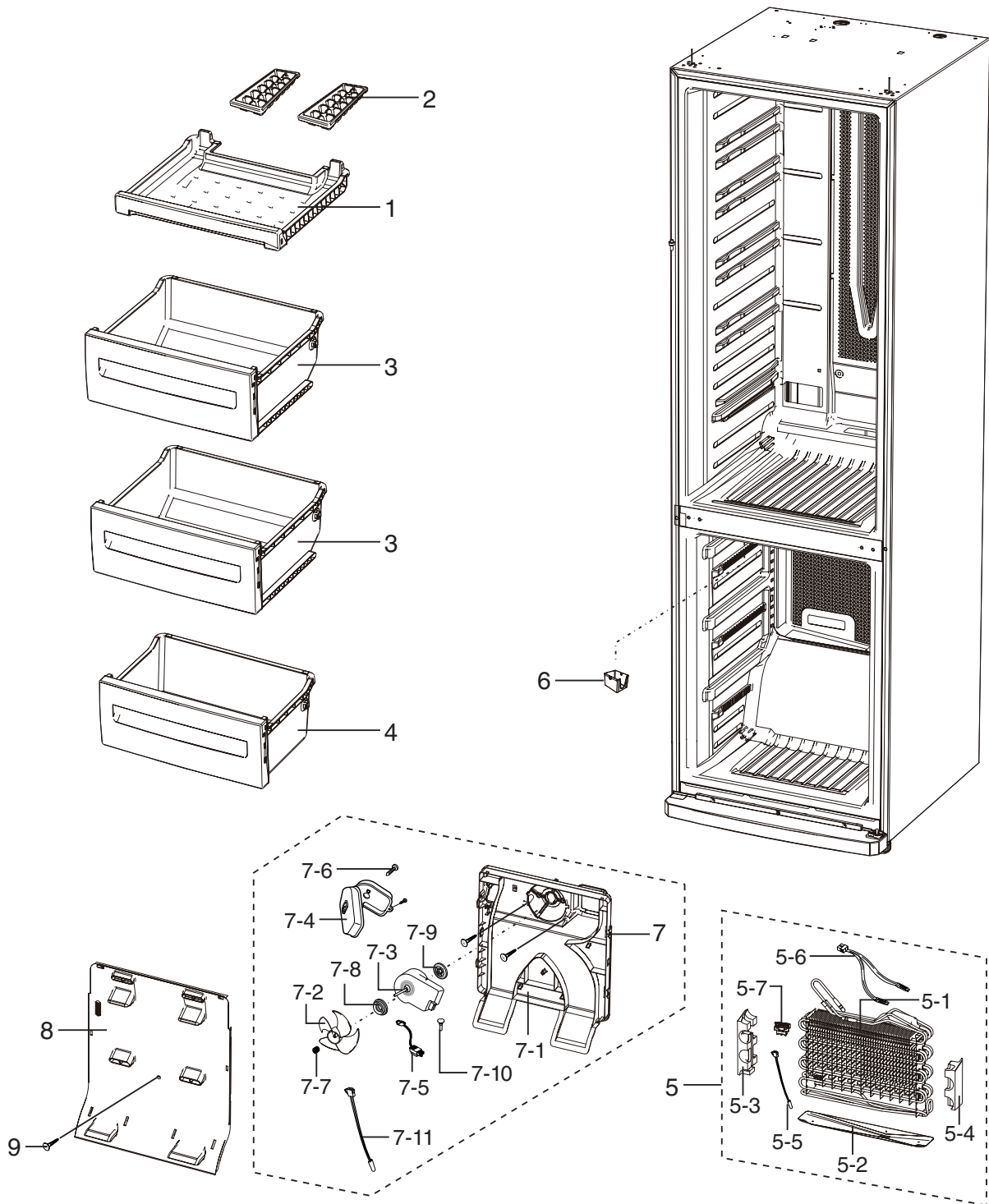


5. EXPLODED VIEW & PARTS LIST

5-1) FREEZER - LCD MODEL	82
5-2) FREEZER - LED MODEL	84
5-3) FREEZER - LED SEMI MODEL	86
5-4) FRIDGE - COOL SELECT ZONE & LED LAMP MODEL	88
5-5) FRIDGE - COOL SELECT ZONE & BULB LAMP MODEL & LED LAMP MODEL	90
5-6) FRIDGE - CHILLED ROOM & VEGETABLE BOX MODEL& LED LAMP MODEL	94
5-7) FRIDGE - BIG VEGETABLE BOX MODEL & LED LAMP MODEL	98
5-8) FRIDGE - RL38 MODEL	102
5-9) CABINET - LCD MODEL	106
5-10) CABINET - LED MODEL	109
5-11) CABINET - LED SEMI MODEL	113
5-12) DOOR - LCD MODEL	116
5-13) DOOR - LED MODEL	120
5-14) DOOR - LED DISPENSER MODEL	125
5-15) DOOR - LED SEMI MODEL	130

EXPLODED VIEW & PARTS LIST

5-1) Freezer- LCD Model



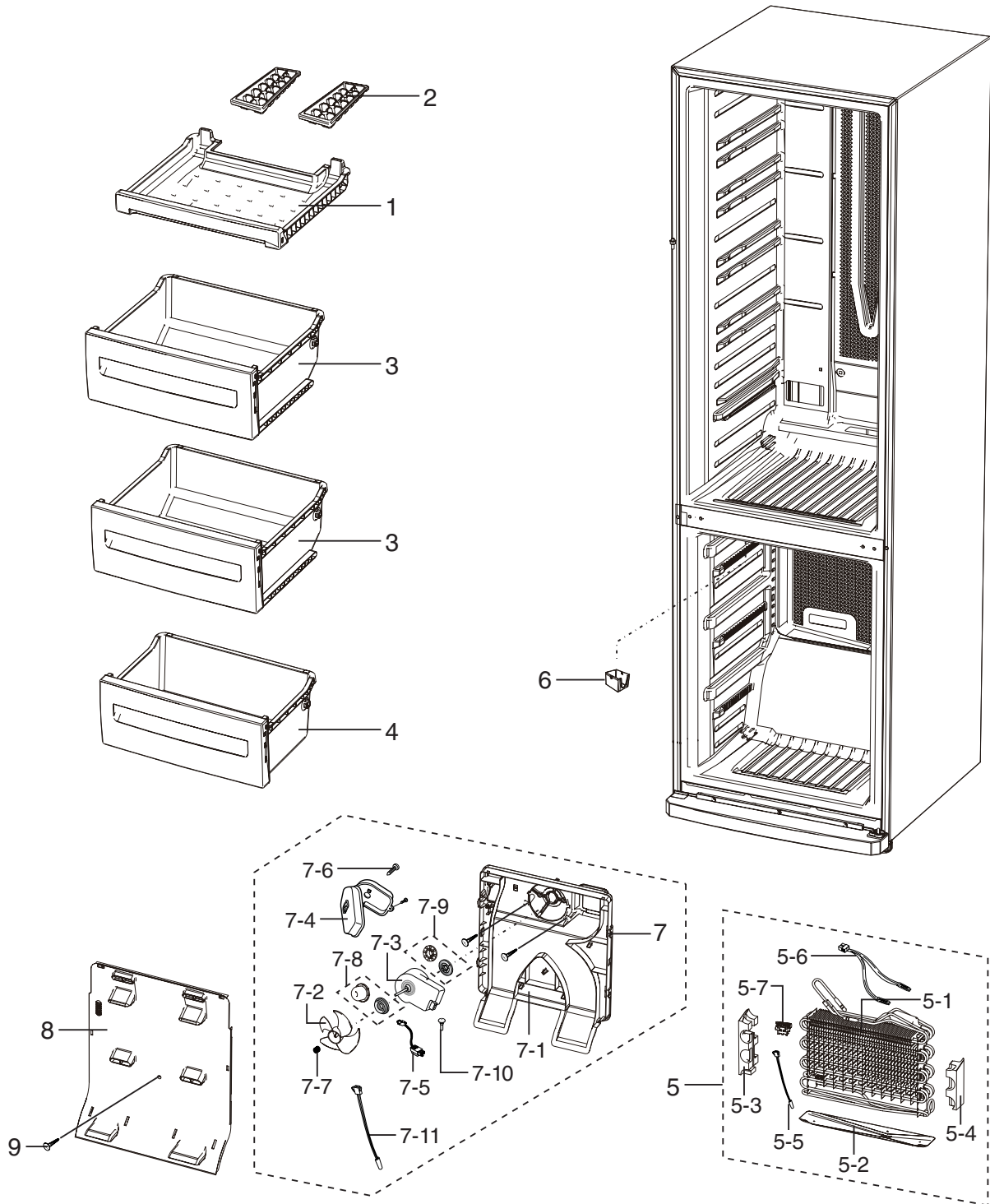
EXPLODED VIEW & PARTS LIST

■ Parts List of Freezer - LCD MODEL

NO	CODE-NO	PART NAME	MODEL		Quantity	SA/SNA	Remark
			RL44Q	RL44F			
1	DA97-04099A	ASSY TRAY-FRE UPP	●		1	SA	
2	DA67-40146B	TRAY-ICE	●		1	SA	
3	DA97-04089A	ASSY TRAY-FRE MID	●		2	SA	
4	DA97-04090A	ASSY TRAY-FRE LOW	●		1	SA	
5	DA96-00280D	ASSY EVAP-FRE	●		1	SA	
5-1	DA59-00350D	EVAP FRE	●		1	SA	
5-2	DA61-02812B	PLATE DRAIN EVAP	●		1	SNA	
5-3	DA60-00153A	SPACER EVAP L	●		1	SA	
5-4	DA60-00154A	SPACER EVAP R	●		1	SA	
5-5	DA32-00006B	SENSOR ASSY-REF	●		1	SA	
5-6	DA47-00095F	THERMO FUSE-ASSY	●		1	SA	
5-7	DA61-02901A	FIXER SENSOR EVAP	●		1	SA	
6	DA63-02902B	COVER-FIXER HOUSING,V	●		1	SA	
7	DA97-04021D	ASSY COVER-EVAP REAR	●		1	SA	
	DA97-04244E			●			
7-1	DA63-03076B	COVER EVAP-REAR	●		1	SA	
7-2	DA31-00148A	FAN-AX112W5CCI	●		1	SA	
7-3	DA31-00146E	MOTOR DC-BLDC	●		1	SA	
	DA31-00103H	MOTOR FAN-AC		●			
7-4	DA63-01809A	COVER MOTOR-BLDC	●		1	SA	
	DA63-01283C	COVER MOTOR-AC		●			
7-5	DA39-00060K	WIRE HARNESS-MOTOR	●		1	SA	
7-6	6002-000213	SCREW-TAPPING		●	3	SA	
7-7	DA61-20128A	SPRING ETC-FAN	●		1	SA	
7-8	DA63-01808A	GROMMET-MOTOR,FRONT	●		1	SA	
	DA63-01976A	GROMMET-MOTOR		●			
7-9	DA63-01146A	GROMMET-MOTOR,REAR	●		1	SA	
	DA63-00771A	GROMMET-FAN MOTOR		●			
7-10	DA63-40167A	GROMMET-COVER CHIL	●		1	SA	
7-11	DA32-00006G	SENSOR TEMP-F DEF	●		1	SA	
8	DA97-04020A	ASSY COVER-EVAP FRONT	●		1	SA	
9	6002-000215	SCREW-TAPPING	●		3	SA	

EXPLODED VIEW & PARTS LIST

5-2) Freezer - LED Model



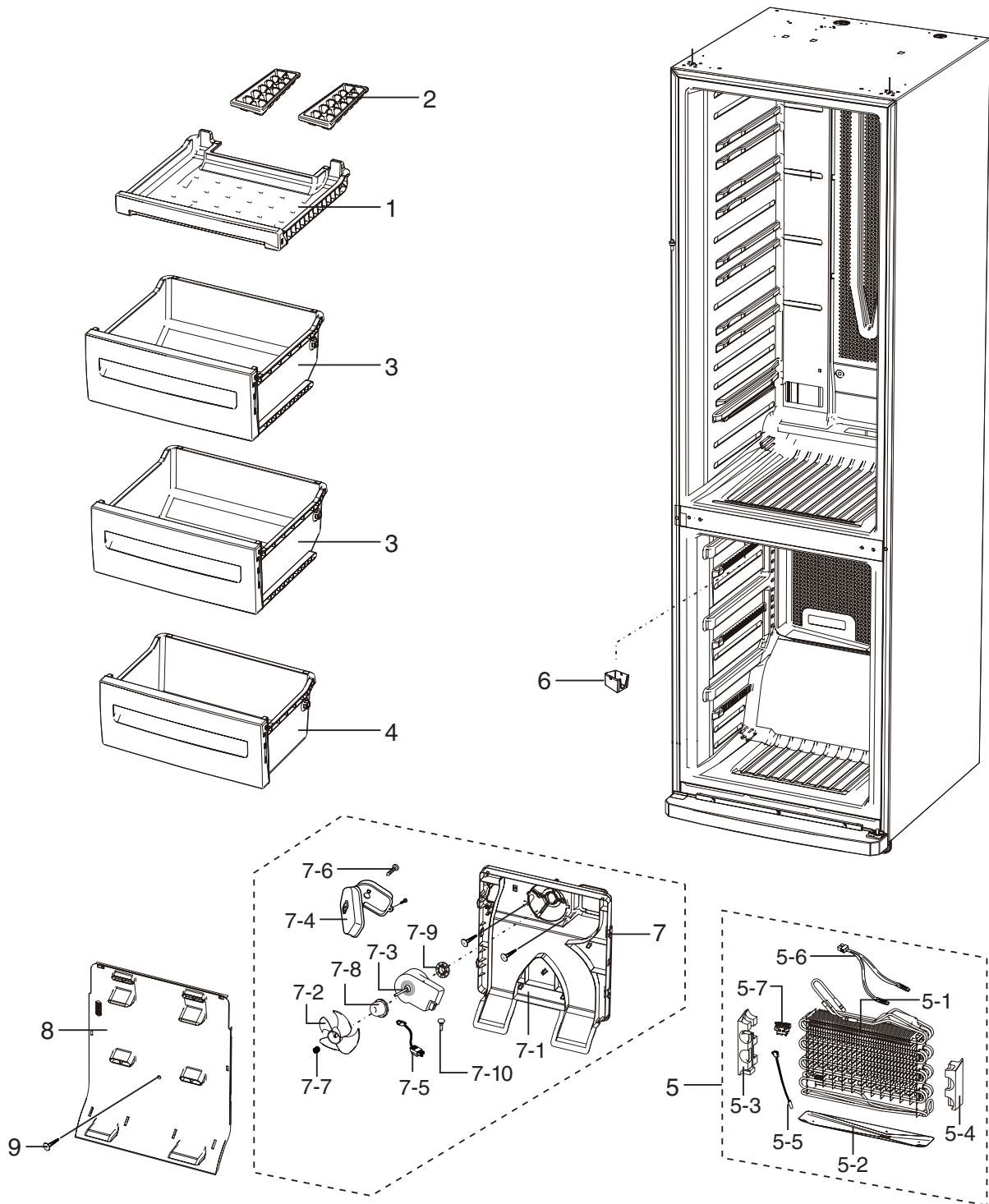
EXPLODED VIEW & PARTS LIST

■ Parts List of Freezer - LED MODEL

NO	CODE-NO	PART NAME	MODEL								Quantity	SA/SNA	Remark		
			RL44E	RL44W	RL44P	RL41H	RL41E	RL41W	RL41P	RL38H				RL38E	
1	DA97-04099A	ASSY TRAY-FRE UPP					•					1	SA		
2	DA67-40146B	TRAY-ICE					•					1	SA		
3	DA97-04089A	ASSY TRAY-FRE MID	•			•					•	•	2	SA	PREMIUM
	DA97-04127A			•	•		•	•	•						NORMAL
4	DA97-04090A	ASSY TRAY-FRE LOW	•			•							1	SA	PREMIUM
	DA97-04126A			•	•		•	•	•		•	•			NORMAL
5	DA96-00280D	ASSY EVAP-FRE	•		•	•	•	•	•	•	•	•	1	SA	220~240V/50Hz
	DA96-00280E			•											110~127V/60Hz
5-1	DA59-00350D	EVAP FRE	•			•	•				•	•		SA	220~240V/50Hz
	DA59-00350E			•	•			•	•						110~127V/60Hz
5-2	DA61-02812B	PLATE DRAIN EVAP					•					1	SNA		
5-3	DA60-00153A	SPACER EVAP L					•					1	SA		
5-4	DA60-00154A	SPACER EVAP R					•					1	SA		
5-5	DA32-00006B	SENSOR ASSY-REF					•					1	SA		
5-6	DA47-00095F	THERMO FUSE-ASSY					•					1	SA		
5-7	DA61-02901A	FIXER SENSOR EVAP					•					1	SA		
6	DA63-02902B	COVER-FIXER HOUSING,V					•					1	SA		
7	DA97-04021D	ASSY COVER-EVAP REAR			•	•			•	•			1	SA	
	DA97-04244E		•	•			•	•			•				220~240V/50Hz
	DA97-04244F			•			•								115~127V/60Hz
7-1	DA63-03076B	COVER EVAP-REAR					•					1	SA		
7-2	DA31-00148A	FAN-AX112W5CCI					•					1	SA		
7-3	DA31-00146E	MOTOR DC-BLDC			•	•			•	•			1	SA	
	DA31-00103H	MOTOR FAN-AC	•	•			•	•			•				220~240V/50Hz
	DA31-00103J			•			•								115~127V/60Hz
7-4	DA63-01809A	COVER MOTOR-BLDC			•	•			•	•		1	SA		
	DA63-01283C	COVER MOTOR-AC	•	•			•	•			•				
7-5	DA39-00060K	WIRE HARNESS-MOTOR			•	•			•	•		1	SA		
7-6	6002-000213	SCREW-TAPPING					•					3	SA		
7-7	DA61-20128A	SPRING ETC-FAN					•					1	SA		
7-8	DA63-01808A	GROMMET-MOTOR,FRONT			•	•			•	•		1	SA		
	DA63-01976A	GROMMET-MOTOR	•	•			•	•			•				
7-9	DA63-01146A	GROMMET-MOTOR,REAR			•	•			•	•		1	SA		
	DA63-00771A	GROMMET-FAN MOTOR	•	•			•	•			•				
7-10	DA63-40167A	GROMMET-COVER CHIL					•					1	SA		
7-11	DA32-00006G	SENSOR TEMP-F DEF					•					1	SA		
8	DA97-04020A	ASSY COVER-EVAP FRONT					•					1	SA		
9	6002-000215	SCREW-TAPPING					•					3	SA		

EXPLODED VIEW & PARTS LIST

5-3) Freezer - LED SEMI Model



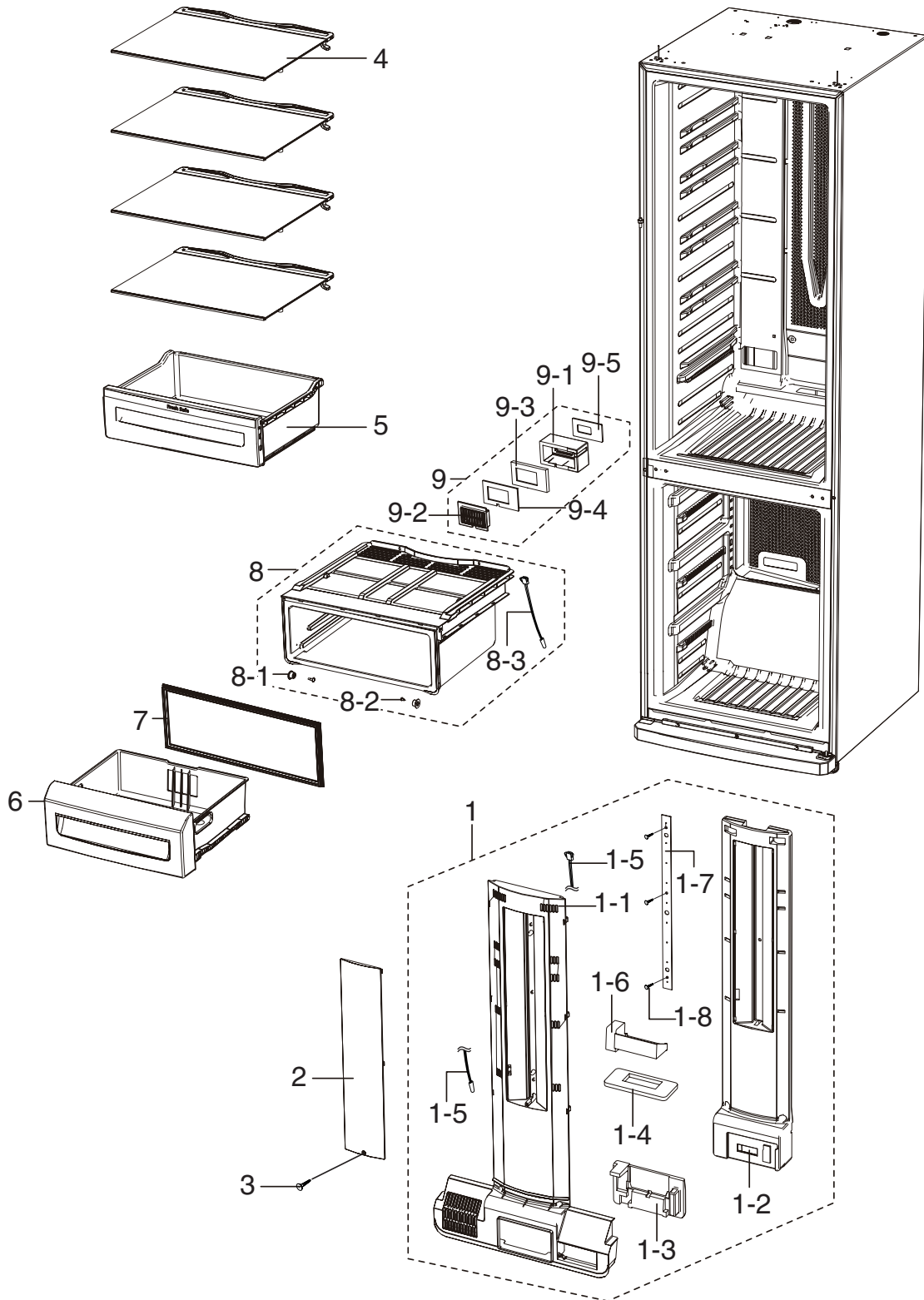
EXPLODED VIEW & PARTS LIST

■ Parts List of Freezer - LED SEMI MODEL

NO	CODE-NO	PART NAME	MODEL			Quantity	SA/SNA	Remark
			RL44S	RL41S	RL38S			
1	DA97-04099A	ASSY TRAY-FRE UPP		●		1	SA	
2	DA67-40146B	TRAY-ICE		●		1	SA	
3	DA97-04127A	ASSY TRAY-FRE MID		●		2	SA	
4	DA97-04126A	ASSY TRAY-FRE LOW		●		1	SA	
5	DA96-00280D	ASSY EVAP-FRE		●		1	SA	
5-1	DA59-00350D	EVAP FRE		●		1	SA	
5-2	DA61-02812B	PLATE DRAIN EVAP		●		1	SNA	
5-3	DA60-00153A	SPACER EVAP L		●		1	SA	
5-4	DA60-00154A	SPACER EVAP R		●		1	SA	
5-5	DA32-00006B	SENSOR ASSY-REF		●		1	SA	
5-6	DA47-00095F	THERMO FUSE-ASSY		●		1	SA	
5-7	DA61-02901A	FIXER SENSOR EVAP		●		1	SA	
6	DA63-02902B	COVER-FIXER HOUSING,V		●		1	SA	
7	DA97-04244E	ASSY COVER-EVAP REAR		●		1	SA	
7-1	DA63-03076B	COVER EVAP-REAR		●		1	SA	
7-2	DA31-00148A	FAN-AX112W5CCI		●		1	SA	
7-3	DA31-00103H	MOTOR FAN-AC		●		1	SA	
7-4	DA63-01283C	COVER-MOTOR		●		1	SA	
7-5	DA32-00006G	SENSOR TEMP-F DEF		●		1	SA	
7-6	6002-000520	SCREW-TAPPING		●		3	SA	
7-7	DA61-20128A	SPRING ETC-FAN		●		1	SA	
7-8	DA63-00771A	GROMMET-FAN MOTOR		●		1	SA	
7-9	DA63-01976A	GROMMET-MOTOR		●		1	SA	
7-10	DA63-40167A	GROMMET-COVER CHIL		●		1	SA	
8	DA97-04020A	ASSY COVER-EVAP FRONT		●		1	SA	
9	6002-000215	SCREW-TAPPING		●		3	SA	

EXPLODED VIEW & PARTS LIST

5-4) Fridge - Cool Select Zone & LED Lamp Model



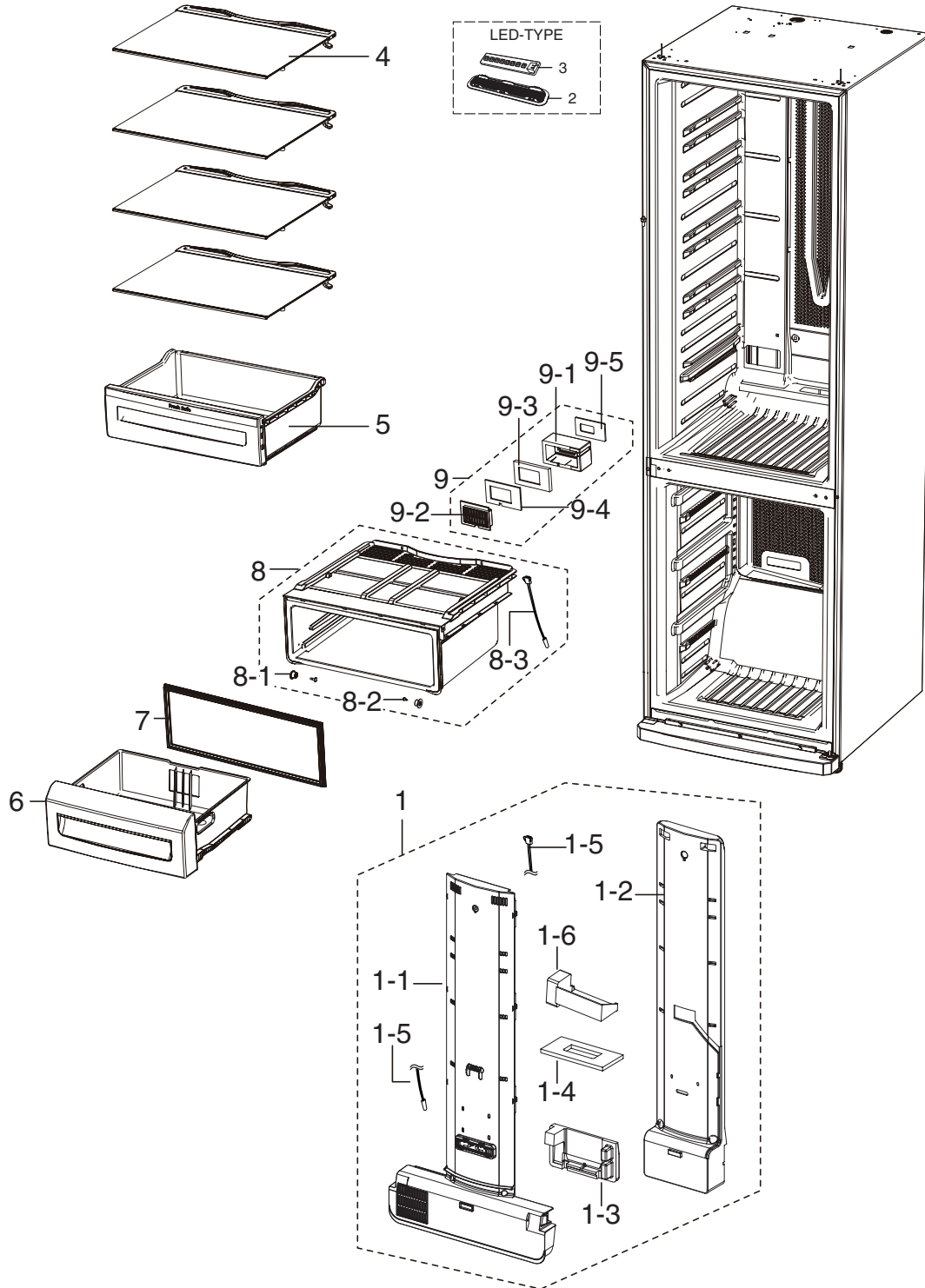
EXPLODED VIEW & PARTS LIST

■ Parts List of Fridge - Cool Select Zone & LED Lamp MODEL

NO	CODE-NO	PART NAME	MODEL	Quantity	SA/SNA	Remark
			RL44Q			
1	DA97-03878B	ASSY COVER-MULTI REF	●	1	SA	
1-1	DA63-03021A	COVER-MULTI REF	●	1	SNA	
1-2	DA62-01221A	INSULATION-MULTI REF A	●	1	SNA	
1-3	DA62-01223A	INSULATION-MULTI REF B	●	1	SNA	
1-4	DA62-01229B	SEAL-COVER MULTI LOW	●	1	SNA	
1-5	DA32-10105R	SENSOR ASSY-FRE	●	1	SA	
1-6	DA31-00043C	MOTOR DC-DAMPER	●	1	SA	
1-7	DA96-00287A	ASSY LAMP-LED	●	1	SA	
1-8	6002-000319	SCREW-TAPPING	●	3	SNA	
2	DA63-03026A	COVER LAMP-REF	●	1	SA	
3	6002-001369	SCREW-TAPPING	●	1	SNA	
4	DA97-04091D	ASSY SHELF REF	●	4	SA	
5	DA97-04105A	ASSY CASE-VEG UPP	●	1	SA	
6	DA97-04100A	ASSY TRAY-CONVERTIBLE	●	1	SA	
7	DA63-01783F	GASKET-CONVERTIBLE	●	1	SA	
8	DA97-04102B	ASSY CASE-CONVERTIBLE	●	1	SA	
8-1	DA66-00151A	ROLLER-FRONT	●	2	SA	
8-2	6009-001293	SCREW-SPECIAL	●	2	SA	
8-3	DA32-00011N	SENSOR TEMP-CSZ SENSOR	●	1	SNA	
9	DA97-04106C	ASSY DAMPER-CONVERTIBLE	●	1	SNA	
9-1	DA31-00071D	MOTOR DC-ASS'Y DAMPER	●	1	SA	
9-2	DA63-03189B	COVER DAMPER-CONVERTIBLE	●	1	SNA	
9-3	DA62-01235A	INSULATION-CONVERTILBE DAMPER	●	1	SNA	
9-4	DA62-01299A	SEAL-CONV DAMPER FRONT	●	1	SNA	
9-5	DA62-01300A	SEAL-CONV DAMPER REAR	●	1	SNA	

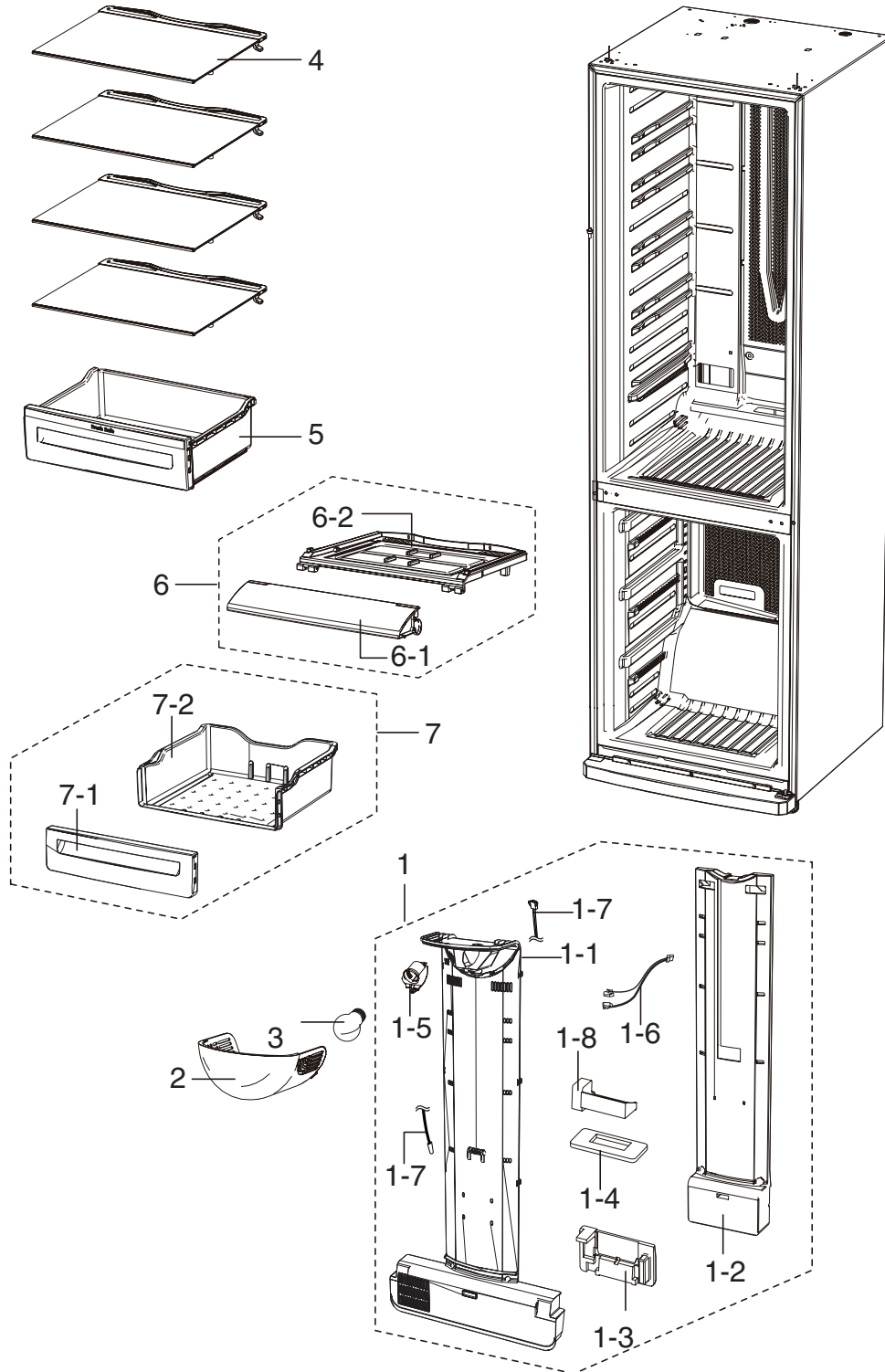
EXPLODED VIEW & PARTS LIST

5-5) Fridge - Cool Select Zone & Bulb Lamp Model (LED TYPE)



EXPLODED VIEW & PARTS LIST

5-6) Fridge - Chilled Room & Vegetable Box Model & LED Lamp Model (BLUB TYPE)



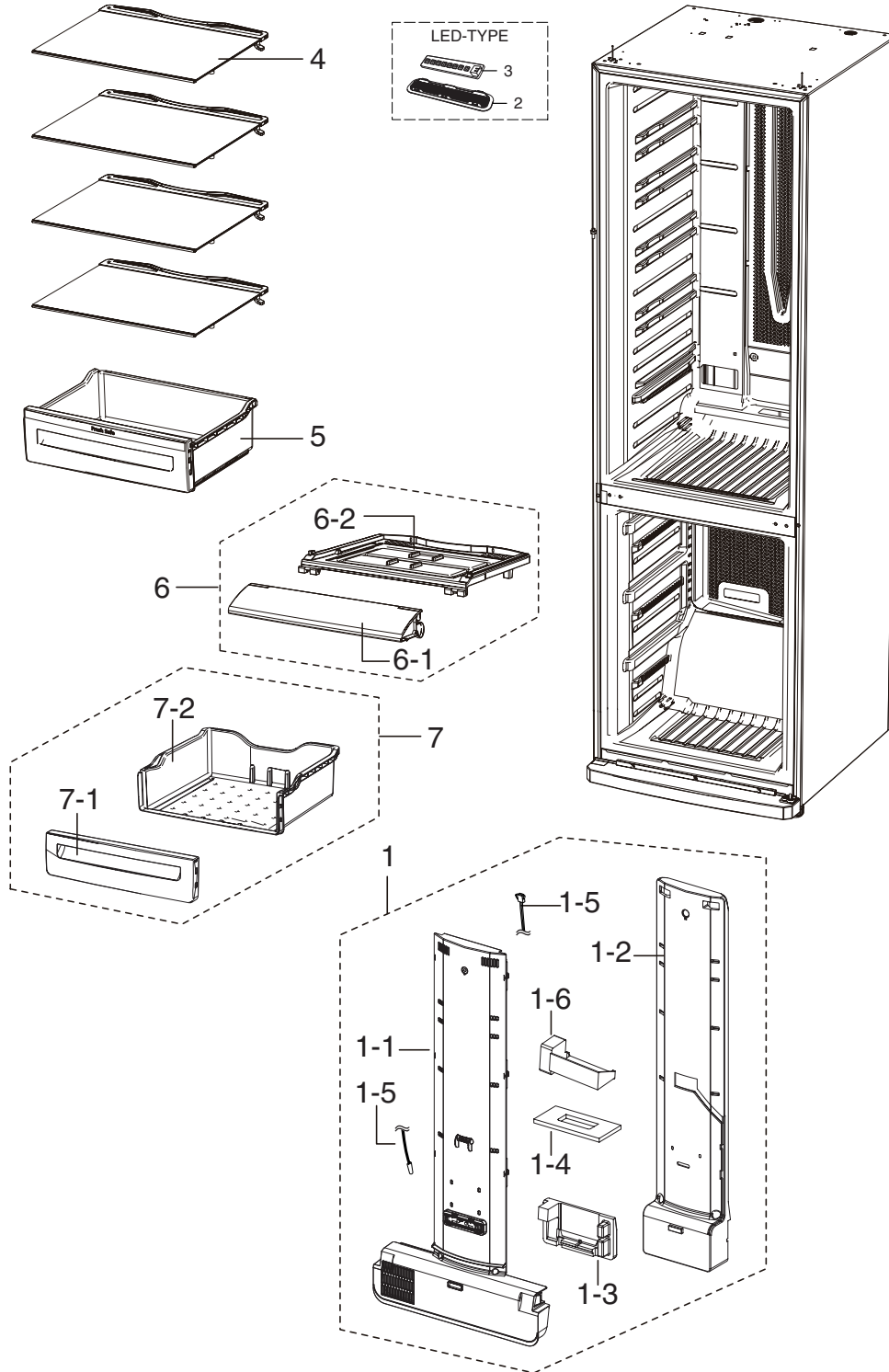
EXPLODED VIEW & PARTS LIST

■ Parts List of Fridge - Chilled Room & Vegetable Box MODEL (BLUB TYPE)

NO	CODE-NO	PART NAME	MODEL							Quantity	SA/SNA	Remark
			RL44E	RL44W	RL44P	RL41H	RL41E	RL41W	RL41P			
1	DA97-03949B	ASSY COVER-MULTI REF	●	●	●					1	SA	
	DA97-03950B					●	●	●	●			
1-1	DA63-03041A	COVER-MULTI REF	●	●	●					1	SNA	
	DA63-03100A					●	●	●	●			
1-2	DA62-01246A	INSULATION-MULTI REF A	●	●	●					1	SNA	
	DA62-01247A					●	●	●	●			
1-3	DA62-01222A	INSULATION-MULTI REF B				●				1	SNA	
1-4	DA62-01229B	SEAL-COVER MULTI LOW				●				1	SNA	
1-5	DA47-40001C	LAMP HOLDER-ASSY				●				1	SA	
1-6	DA96-00286A	ASSY-WIRE HARNESS LAMP				●				1	SA	
1-7	DA32-00011E	SENSOR ASSY-FRE	●	●	●					1	SA	
	DA32-10105R	SENSOR TEMP-ASSY				●	●	●	●			
1-8	DA31-00043F	MOTOR DC-DAMPER				●				1	SA	
2	DA63-03025A	COVER LAMP-REF				●				1	SA	
3	4713-001201	LAMP-INCANDESCENT	●		●	●	●			1	SA	230V,0mA,40W
	4713-001206			●				●	●			120V,340mA,40W
4	DA97-04091D	ASSY SHELF REF	●			●				4	SA	PREMIUM
	DA67-01446B	SHELF-REF		●	●		●	●	●			4
5	DA97-04105A	ASSY CASE-VEG UPP	●			●				1	SA	PREMIUM
	DA97-04105B			●	●		●	●	●			NORMAL
6	DA97-04152A	ASSY COVER-CHILLED UPP				●				1	SA	
6-1	DA63-03051A	COVER-CHILLED UPP A				●				1	SA	
6-2	DA63-03052B	COVER-CHILLED UPP B				●				1	SA	
7	DA97-04149C	ASSY TRAY-CHILLED ROOM				●				1	SA	
7-1	DA63-03044A	COVER-TRAY CHILLED				●				1	SA	
7-2	DA63-03054A	TRAY-CHILLED ROOM				●				1	SA	
8	6002-000216	SCREW-TAPPING				●				2	SA	

EXPLODED VIEW & PARTS LIST

5-6) Fridge - Chilled Room & Vegetable Box Model & LED Lamp Model (LED TYPE)



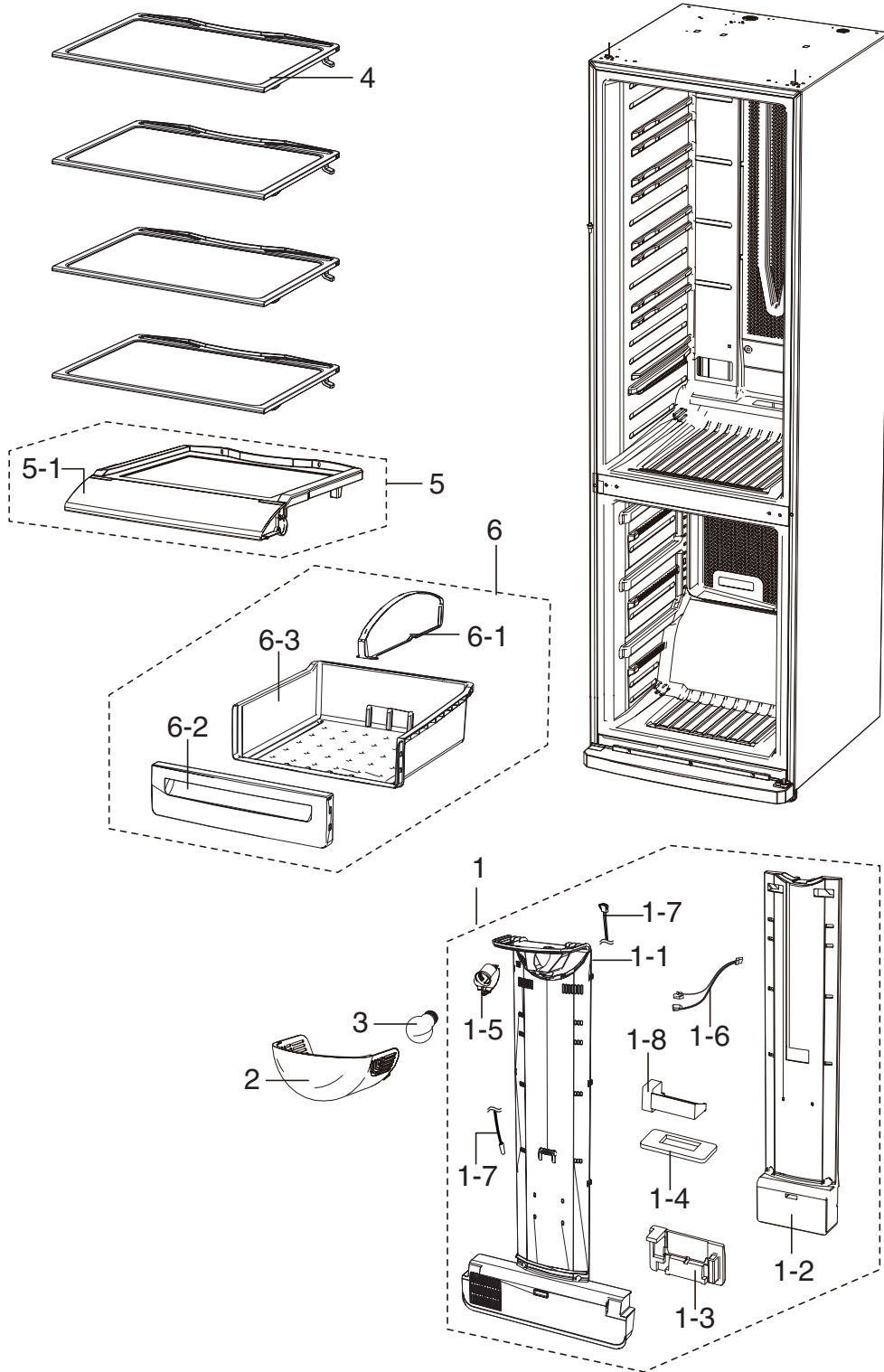
EXPLODED VIEW & PARTS LIST

■ Parts List of Fridge - Chilled Room & Vegetable Box MODEL (LED TYPE)

NO	CODE-NO	PART NAME	MODEL						Quantity	SA/SNA	Remark
			RL44E	RL44W	RL44P	RL41H	RL41E	RL41W			
1	DA97-08249A	ASSY COVER MULTI	●	●	●				1	SA	LED TYPE
	DA97-08259A					●	●	●			
1-1	DA63-05277A	COVER-MULTI REF	●	●	●				1	SA	LED TYPE
	DA63-05278A					●	●	●			
1-2	DA62-02405A	INSULATION-MULTI REF A	●	●	●				1	SA	LED TYPE
	DA62-02403A					●	●	●			
1-3	DA62-01222A	INSULATION-MULTI REF B				●			1	SNA	LED TYPE
1-4	DA62-01229B	SEAL-COVER MULTI LOW				●			1	SNA	LED TYPE
1-5	DA32-10105R	SENSOR TEMP				●			1	SA	LED TYPE
1-6	DA31-00043F	MOTOR DC-MOTOR-DAMPER				●			1	SA	LED TYPE
2	DA63-04119A	COVER LED LAMP				●			1	SA	LED TYPE
3	DA41-00519A	LED LAMP				●			1	SA	LED TYPE
4	DA97-04091D	ASSY SHELF REF	●			●			4	SA	PREMIUM NORMAL
	DA67-01446B	SHELF-REF		●	●		●	●			
5	DA97-04105A	ASSY CASE-VEG UPP	●			●			1	SA	PREMIUM NORMAL
	DA97-04105B			●	●		●	●			
6	DA97-04152A	ASSY COVER-CHILLED UPP				●			1	SA	
6-1	DA63-03051A	COVER-CHILLED UPP A				●			1	SA	
6-2	DA63-03052B	COVER-CHILLED UPP B				●			1	SA	
7	DA97-04149C	ASSY TRAY-CHILLED ROOM				●			1	SA	
7-1	DA63-03044A	COVER-TRAY CHILLED				●			1	SA	
7-2	DA63-03054A	TRAY-CHILLED ROOM				●			1	SA	
8	6002-000216	SCREW-TAPPING				●			2	SA	

EXPLODED VIEW & PARTS LIST

5-7) Fridge - Big Vegetable Box Model (BLUB TYPE)



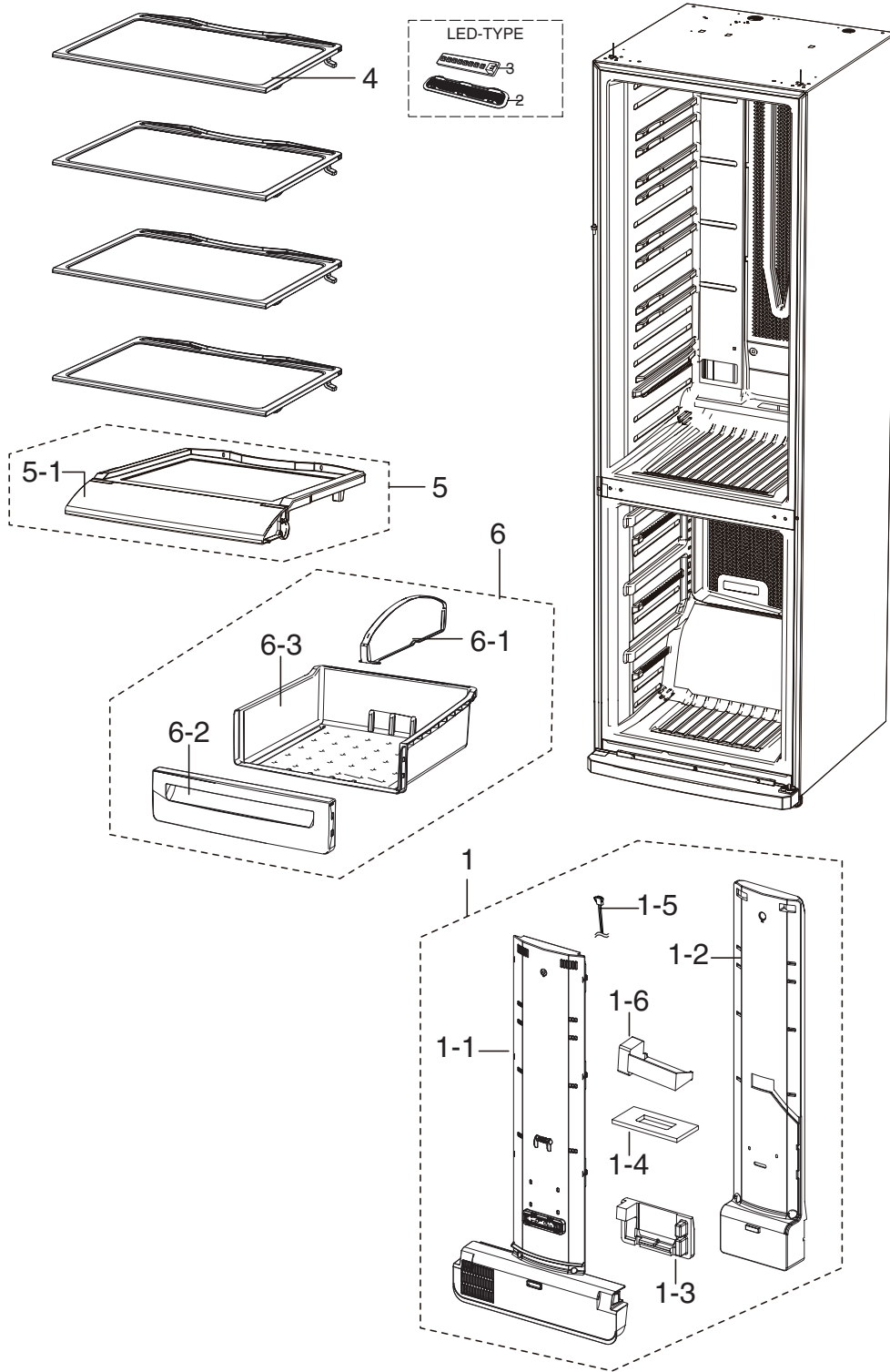
EXPLODED VIEW & PARTS LIST

■ Parts List of Fridge - Big Vegetable Box MODEL (BLUB TYPE)

NO	CODE-NO	PART NAME	MODEL			Quantity	SA/SNA	Remark
			RL44S	RL41E	RL41S			
1	DA97-03879C	ASSY COVER-MULTI REF	●			1	SA	
	DA97-03951C			●	●			
1-1	DA63-03041A	COVER-MULTI REF	●			1	SNA	
	DA63-03100A			●	●			
1-2	DA62-01220A	INSULATION-MULTI REF A	●			1	SNA	
	DA62-01248A			●	●			
1-3	DA62-01222A	INSULATION-MULTI REF B		●		1	SNA	
1-4	DA62-01229B	SEAL-COVER MULTI LOW		●		1	SNA	
1-5	DA47-40001C	LAMP HOLDER-ASSY		●		1	SA	
1-6	DA96-00286A	ASSY-WIRE HARNESS LAMP		●		1	SA	
1-7	DA32-00011E	SENSOR ASSY-FRE	●			1	SA	
	DA32-10105R	SENSOR TEMP-ASSY		●	●			
1-8	DA31-00043F	MOTOR DC-DAMPER		●		1	SA	
2	DA63-03025A	COVER LAMP-REF		●		1	SA	
3	4713-001201	LAMP-INCANDESCENT		●		1	SA	40W
4	DA67-01446B	SHELF-REF		●		4	SA	
5	DA97-04151B	ASSY SHELF-VEG		●		1	SA	
5-1	DA63-03052A	COVER-CHILLED UPP B		●		1	SA	
6	DA97-04149B	ASSY TRAY-CHILLED ROOM		●		1	SA	
6-1	DA61-02825B	GUIDE VEG		●		1	SA	
6-2	DA63-03044A	COVER-TRAY CHILLED		●		1	SA	
6-3	DA63-03054A	TRAY-CHILLED ROOM		●		1	SA	
7	6002-000216	SCREW-TAPPING		●		2	SA	

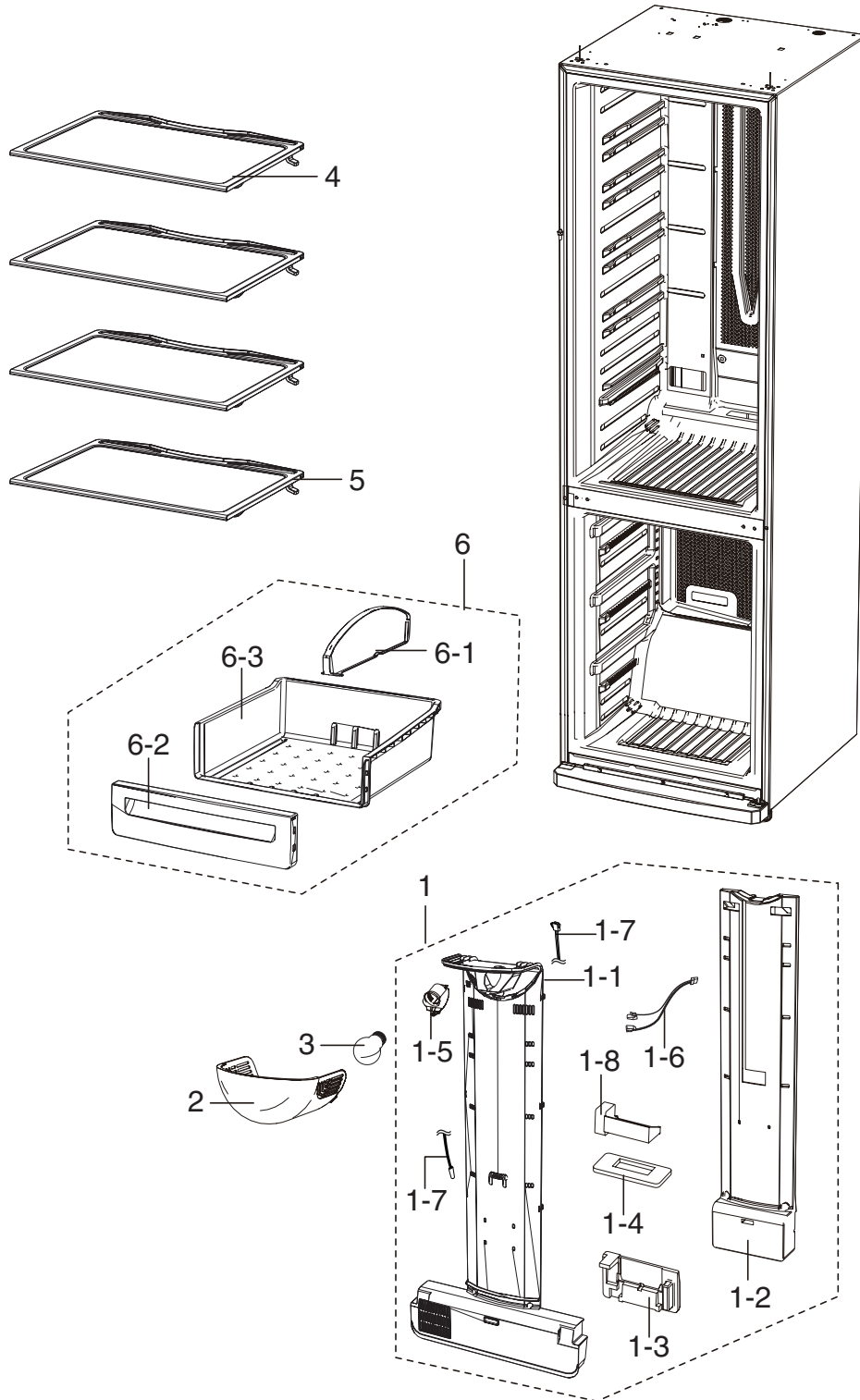
EXPLODED VIEW & PARTS LIST

5-7) Fridge - Big Vegetable Box Model (LED TYPE)



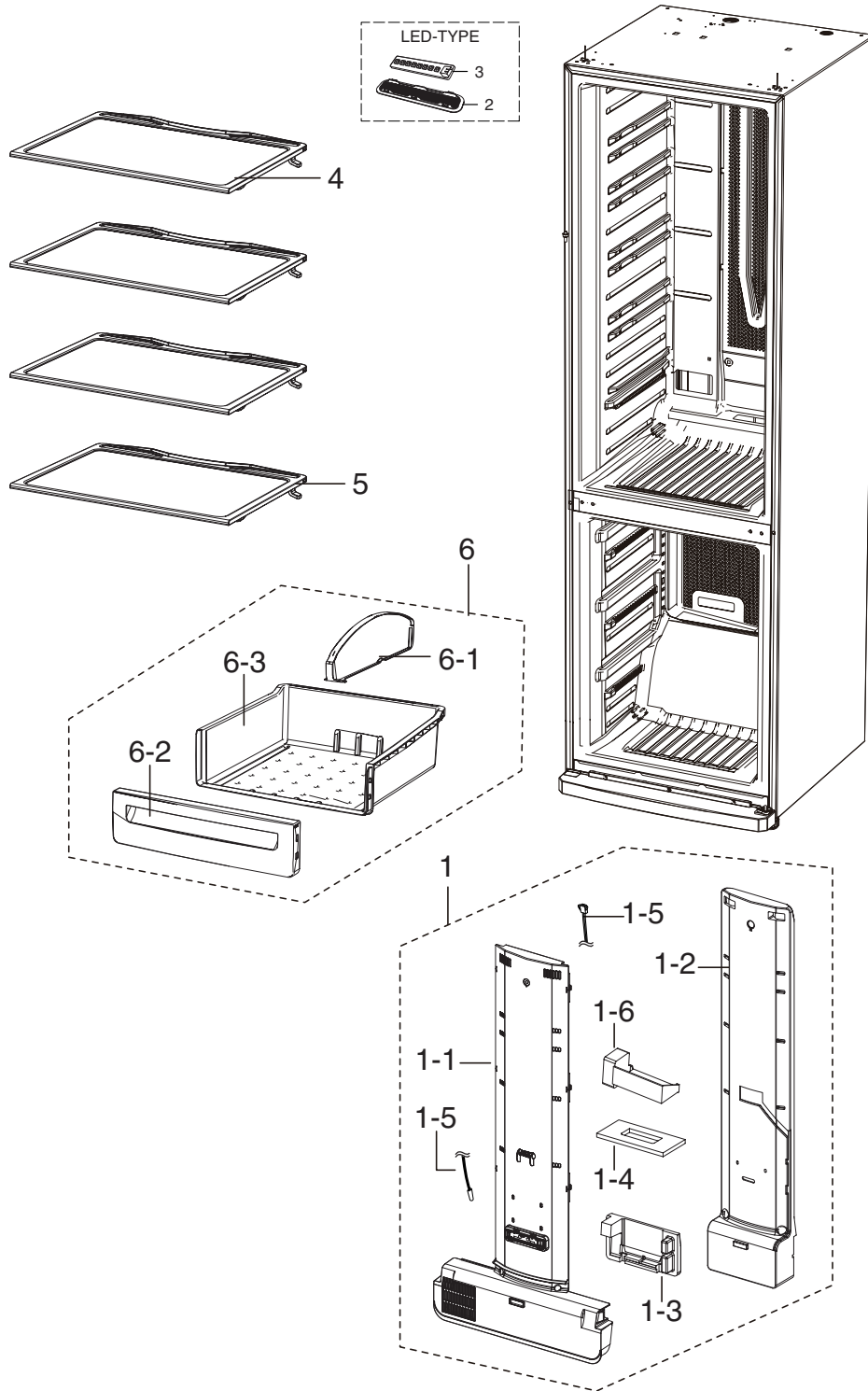
EXPLODED VIEW & PARTS LIST

5-8) Fridge - RL38 Model (BLUB TYPE)



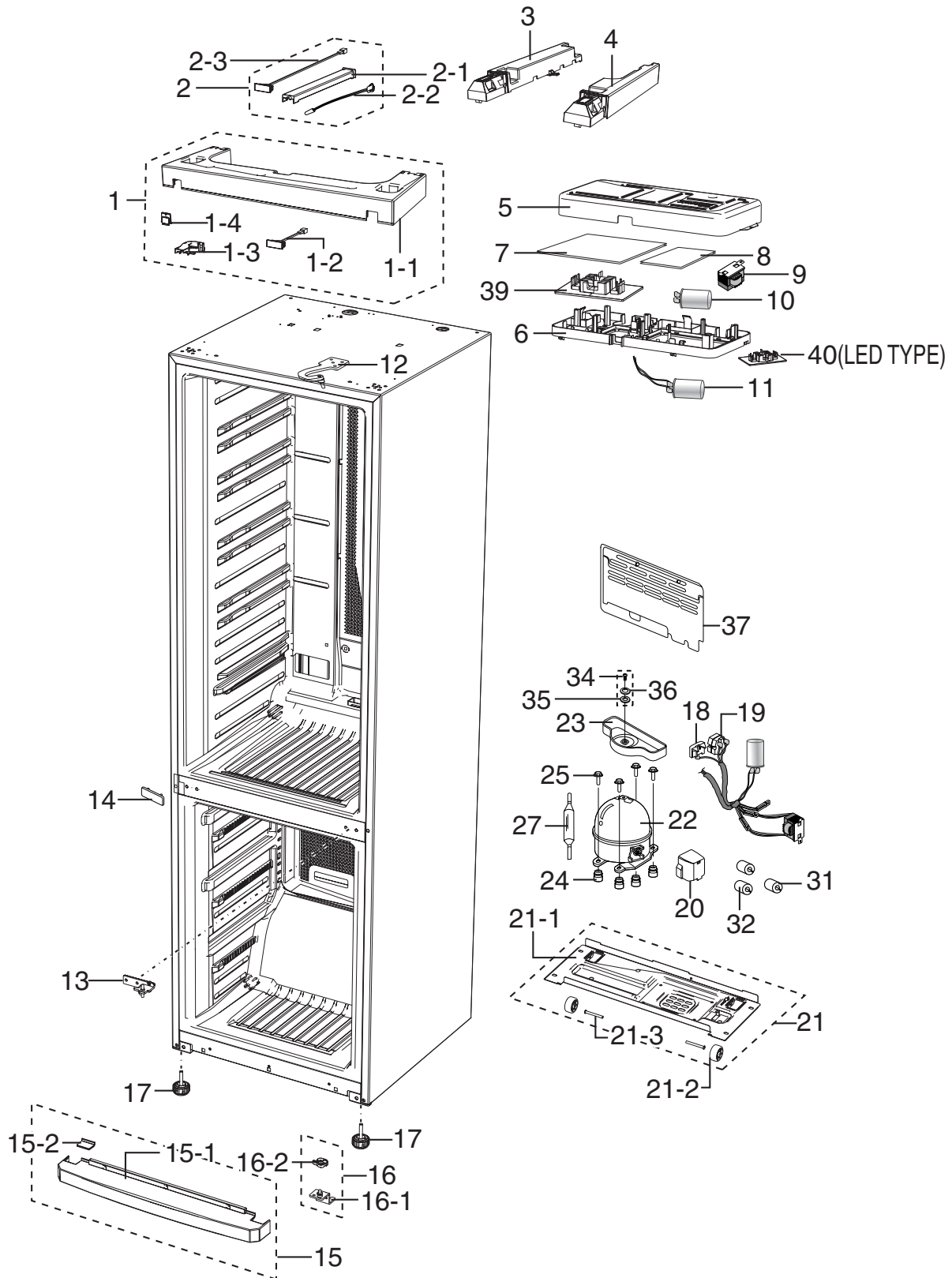
EXPLODED VIEW & PARTS LIST

5-8) Fridge - RL38 Model (LED TYPE)



EXPLODED VIEW & PARTS LIST

5-9) Cabinet- LCD Model



EXPLODED VIEW & PARTS LIST

■ Parts List of Cabinet & Unit - LCD MODEL

NO	CODE-NO	PART NAME	MODEL		Quantity	SA/SNA	Remark
			RL44Q	RL44F			
1	DA97-04803F	ASSY CAP-CABI LED		●	1	SA	RL****US
	DA97-04803G		●				RL****IS
	DA97-04803H		●				RL****IH
			●				RL****TB
	DA97-04803H		●				RL****PS
1-1	DA67-01584F	CAP-CABI LED		●	1	SA	RL****US
	DA67-01584G		●				RL****IS
	DA67-01584H		●				RL****IH
			●				RL****TB
	DA67-01584H		●				RL****PS
1-2	DA34-00043A	SWITCH REED-ASS'Y		●	1	SA	ALL
1-3	DA63-03029A	COVER-WIRE HINGE L		●	1	SA	RL****US
	DA63-03029B		●				RL****IS
	DA63-03029C		●				RL****IH
			●				RL****TB
	DA63-03029C		●				RL****PS
1-4	DA67-01433G	CAP-HOLE HINGE UPP		●	1	SA	RL****US
	DA67-01433H		●				RL****IS
	DA67-01433J		●				RL****IH
			●				RL****TB
	DA67-01433J		●				RL****PS
2	DA97-04064A	ASSY COVER-WIRE CABI		●	1	SA	ALL
2-1	DA63-03074A	COVER-WIRE CABI		●	1	SA	ALL
2-2	DA32-00011P	SENSOR TEMP-EXT		●	1	SA	ALL
2-3	DA96-00285B	ASSY W/HARNESS-DISPLAY		●	1	SA	ALL
3	DA97-05669F	ASSY CAP-CABI SIDE L		●	1	SA	RL****US
	DA97-05669G		●				RL****IS
	DA97-05669H		●				RL****IH
			●				RL****TB
	DA97-05669H		●				RL****PS
4	DA97-05668F	ASSY CAP-CABI SIDE R		●	1	SA	RL****US
	DA97-05668G		●				RL****IS
	DA97-05668H		●				RL****IH
			●				RL****TB
	DA97-05668H		●				RL****PS
5	DA63-03020B	COVER PCB-PANEL		●	1	SA	
6	DA61-02742A	CASE PCB-PANEL		●	1	SA	
7	DA41-00364C	PBA MAIN	●		1	SA	
	DA41-00364D			●	1		
8	DA41-00372A	PBA SMPS-LED SUB	●		1	SA	
9	DA26-00009K	TRANS POWER		●	1	SA	
10	DA27-00002A	COIL-NOISE FILTER		●	1	SA	
11	2501-001186	C-OIL		●	1	SA	
12	DA97-03899A	ASSY HINGE-UPP		●	1	SA	
13	DA97-03900A	ASSY HINGE-MID		●	1	SA	
14	DA67-00195A	CAP-HINGE HOLE-MID		●	1	SA	
15	DA97-03955F	ASSY COVER LEG FRONT		●	1	SA	RL****US
	DA97-03955G		●				RL****IS
	DA97-03955H		●				RL****IH
			●				RL****TB
	DA97-03955H		●				RL****PS
15-1	DA63-03031A	COVER LEG-FRONT		●	1	SA	RL****US

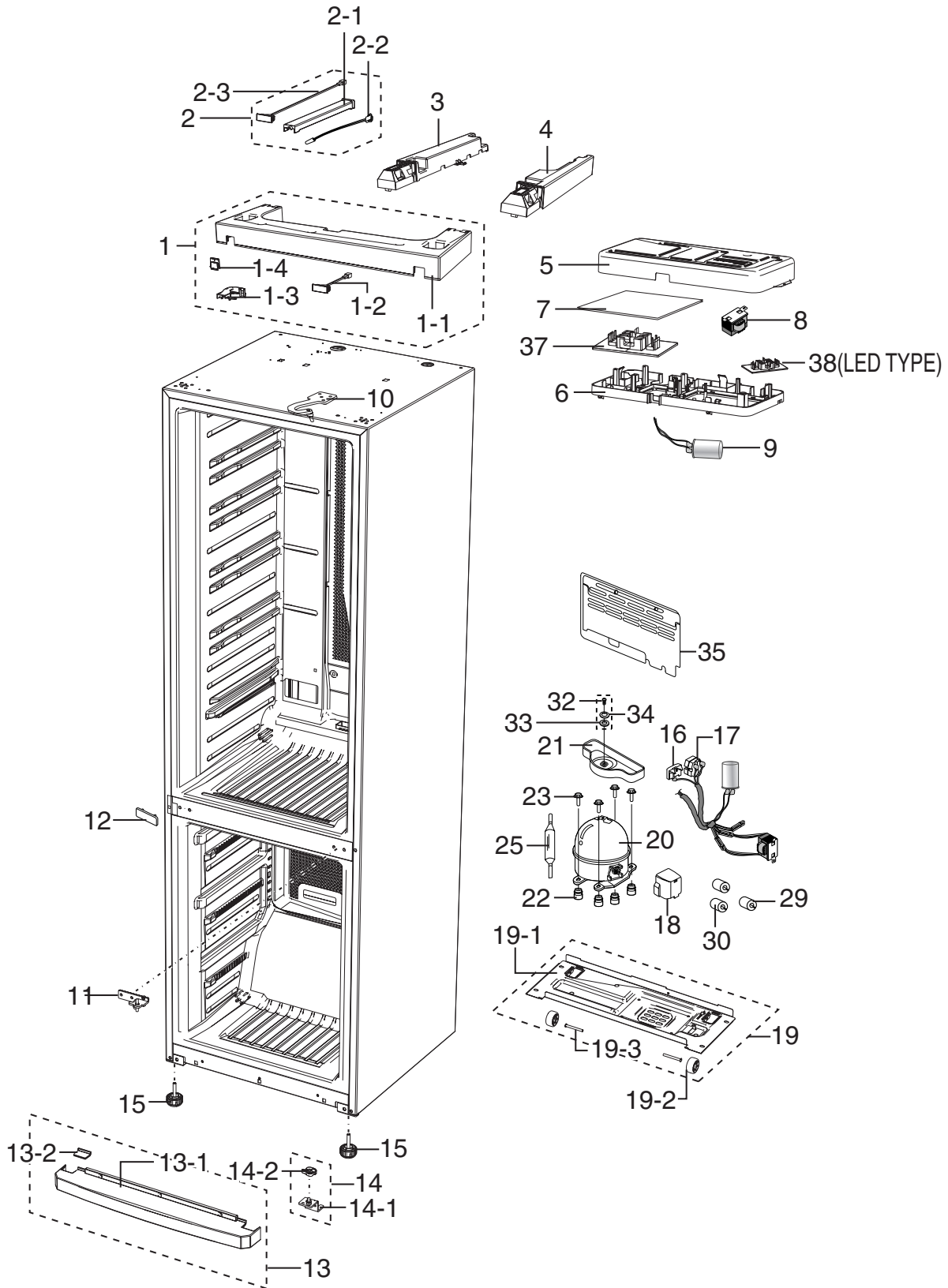
EXPLODED VIEW & PARTS LIST

■ Parts List of Cabinet & Unit - LCD MODEL

NO	CODE-NO	PART NAME	MODEL		Quantity	SA/SNA	Remark	
			RL44Q	RL44F				
15-1	DA63-03031B	COVER LEG-FRONT		●	1	SA	RL****IS	
	DA63-03031C		●				RL****IH	
15-2	DA67-01434A	CAP-HOLE HINGE LOW		●	1	SA	RL****TB	
	DA67-01434B		●				RL****PS	
	DA67-01434C			●				RL****US
				●				RL****IS
15-3	6002-000215	SCREW-TAPPING		●	2	SA		
16	DA97-03947B	ASSY HINGE-LOW		●	1	SA		
16-1	DA61-02753A	HINGE-LOW		●	1	SA		
16-2	DA61-02756B	GUIDE-AUTO CLOSE		●	1	SA		
16-3	6001-000039	SCREW-MACHINE		●	1	SNA		
17	DA61-00805A	FOOT-FRONT		●	2	SA		
18	DA34-10004A	RELAY PROTECTOR O/L		●	1	SA		
19	DA35-10013B	RELAY-PTC		●	1	SA		
20	DA63-01363B	COVER RELAY		●	1	SA		
21	DA97-03896A	ASSY CHASSIS-COMP		●	1	SA		
21-1	DA64-01806A	CHASSIS COMP		●	1	SNA		
21-2	DA61-40126B	CASTER-REAR		●	2	SA		
21-3	DA60-90146A	PIN-CASTER		●	2	SA		
22	MD4A1QL1U/E02	COMPRESSOR		●	1	SC		
23	DA63-01933C	TRAY DRAIN-WATER		●	1	SA		
24	DA63-02017A	GROMMET-COMP		●	4	SA		
25	DA60-20008A	BOLT-HEX		●	4	SA		
26	6011-001656	BOLT-HEX		●	4	SA		
27	DA62-01514A	DRYER		●	1	SA		
28	6002-000458	SCREW-TAPPING		●	1	SA		
29	DA60-10123E	SCREW-HEX		●	2	SNA		
30	6011-001656	BOLT-HEX		●	2	SA		
31	DA63-40171B	GROMMET-SUCT PIPE A		●	2	SA		
32	DA63-40171D	GROMMET-SUCT PIPE B		●	1	SA		
33	6002-000213	SCREW-TAPPING		●	9	SA		
34	6001-000033	SCREW-MACHINE		●	1	SNA		
35	DA60-00015A	WASHER-		●	1	SNA		
36	DA60-40104J	WASHER		●	1	SA		
37	DA97-03985B	ASSY COVER-COMP		●	1	SA		
38	6002-000213	SCREW-TAPPING		●	2	SA		
39	DA96-00628E	ASSY FUSE BLOCK		●	1	SA	Only for R600a Model	
40	DA41-00372A	PBA SMPS-LED SUB		●	1	SA	LED TYPE	

EXPLODED VIEW & PARTS LIST

5-10) Cabinet -LED Model



EXPLODED VIEW & PARTS LIST

■ Parts List of Cabinet & Unit - LED MODEL

NO	CODE-NO	PART NAME	MODEL									Quantity	SA/SNA	Remark
			RL44E	RL44W	RL44P	RL41H	RL41E	RL41W	RL41P	RL38H	RL38E			
1	DA97-04803F	ASSY CAP-CABI LED	●			●						1	SA	RL****US
	DA97-04803G		●	●		●	●	●		●	●			RL****S
	DA97-04803H		●	●	●	●	●	●	●	●	●			RL****H
	DA97-04803J		●	●		●	●	●	●	●	●			RL****TB
	DA97-04803K		●	●	●	●	●	●	●	●	●			RL****PS
1-1	DA67-01584F	CAP-CABI LED	●			●					1	SA	RL****US	
DA67-01584G	●		●		●	●	●		●	●			RL****S	
DA67-01584H	●		●	●	●	●	●	●	●	●			RL****H	
DA67-01584J	●		●		●	●	●	●	●	●			RL****TB	
DA67-01584K	●		●	●	●	●	●	●	●	●			RL****PS	
1-2	DA34-00043A	SWITCH REED-ASS'Y				●	●				1	SA		
1-3	DA63-03029A	COVER-WIRE HINGE L	●			●					1	SA	RL****US	
	DA63-03029B		●	●		●	●	●		●			●	RL****S
	DA63-03029C		●	●	●	●	●	●	●	●			●	RL****H
	DA63-03029D		●	●		●	●	●	●	●			●	RL****TB
	DA63-03029E		●	●	●	●	●	●	●	●			●	RL****PS
1-4	DA67-01433G	CAP-HOLE HINGE UPP	●			●					1	SA	RL****US	
DA67-01433J	●		●		●	●	●		●	●			RL****S	
DA67-01433I	●		●		●	●	●	●		●			●	RL****H
DA67-01433K	●		●	●	●	●	●	●	●	●			RL****TB	
DA67-01433L	●		●	●	●	●	●	●	●	●			RL****PS	
2	DA97-04064B	ASSY COVER-WIRE CABI				●					1	SA		
2-1	DA63-03074A	COVER-WIRE CABI				●					1	SA		
2-2	DA32-00011P	SENSOR TEMP-EXT				●					1	SA		
2-3	DA96-00285A	ASSY W/HARNESS-DISPLAY				●					1	SA		
3	DA97-05669F	ASSY CAP-CABI SIDE L	●			●					1	SA	RL****US	
	DA97-05669G		●	●		●	●	●		●			●	RL****S
	DA97-05669H		●	●	●	●	●	●	●	●			●	RL****H
	DA97-05669I		●	●		●	●	●	●	●			●	RL****TB
	DA97-05669J		●	●	●	●	●	●	●	●			●	RL****PS
4	DA97-05668F	ASSY CAP-CABI SIDE R	●			●					1	SA	RL****US	
DA97-05668G	●		●		●	●	●		●	●			RL****S	
DA97-05668H	●		●	●	●	●	●	●	●	●			RL****H	
DA97-05668I	●		●		●	●	●	●	●	●			RL****TB	
DA97-05668J	●		●	●	●	●	●	●	●	●			RL****PS	
5	DA63-03020B	COVER PCB-PANEL				●					1	SA		
6	DA61-02742A	CASE PCB-PANEL				●					1	SA		
7	DA41-00362B	PBA MAIN			●				●		1	SA		
	DA41-00362L				●				●					
	DA41-00362M		●	●		●	●			●				
8	DA26-00009K	TRANS POWER	●	●	●	●	●	●	●	●	1	SA	220~240V	
	DA26-00009J													115~127V
9	2501-001186	C-OIL	●	●	●	●	●	●	●	●	1	SA	220~240V/50Hz	
	2501-001045													115~127V/60Hz
10	DA97-03899A	ASSY HINGE-UJP				●					1	SA		
11	DA97-03900A	ASSY HINGE-MID				●					1	SA		

EXPLODED VIEW & PARTS LIST

■ Parts List of Cabinet & Unit - LED MODEL

NO	CODE-NO	PART NAME	MODEL									Quantity	SA/SNA	Remark
			RL44E	RL44W	RL44P	RL41H	RL41E	RL41W	RL41P	RL38H	RL38E			
12	DA67-00195A	CAP-HINGE HOLE-MID					●					1	SA	
13	DA97-03955F	ASSY COVER LEG FRONT	●			●						1	SA	RL ^{***} US
	DA97-03955G		●	●		●	●	●		●	●			RL ^{***} IS
					●	●		●						RL ^{***} H
			●	●		●	●	●		●	●			RL ^{***} TB
	DA97-03955H		●	●	●	●	●	●	●	●	●			RL ^{***} PS
DA97-03955J	●	●		●	●	●	●	●	●	RL ^{***} SW				
13-1	DA63-03031A	COVER LEG-FRONT	●			●					1	SA	RL ^{***} US	
	DA63-03031B		●	●		●	●	●		●			●	RL ^{***} IS
					●	●		●						RL ^{***} H
			●	●		●	●	●		●			●	RL ^{***} TB
	DA63-03031C		●	●	●	●	●	●	●	●			●	RL ^{***} PS
DA63-03031D	●	●		●	●	●	●	●	●	RL ^{***} SW				
13-2	DA67-01434A	CAP-HOLE HINGE LOW	●			●					1	SA	RL ^{***} US	
	DA67-01434B		●	●		●	●	●		●			●	RL ^{***} IS
					●	●		●						RL ^{***} H
			●	●		●	●	●		●			●	RL ^{***} TB
	DA67-01434C		●	●	●	●	●	●	●	●			●	RL ^{***} PS
DA67-01434D	●	●		●	●	●	●	●	●	RL ^{***} SW				
13-3	6002-000215	SCREW-TAPPING					●				1	SA		
14	DA97-03947B	ASSY HINGE-LOW					●				1	SA		
14-1	DA61-02753A	HINGE-LOW					●				1	SA		
14-2	DA61-02756B	GUIDE-AUTO CLOSE					●				1	SA		
14-3	6001-000039	SCREW-MACHINE					●				1	SA		
15	DA61-00805A	FOOT-FRONT					●				2	SA		
16	DA34-10004A	RELAY PROTECTOR O/L	●	●	●	●	●	●	●	●	●	1	SA	R600a,220~240V/50Hz
	DA34-10003K			●			●	●			●			R134a,220~240V/50Hz
	DA35-00043U		●	●		●	●	●						R134a,115~127V/60Hz
	DA34-10003F						●							R134a,220~240V/50Hz,*/XTL
17	DA35-00103D	RELAY-PTC			●				●			1	SA	
	DA35-10013B		●	●		●	●	●		●	●			220~240V/50Hz
	DA35-10013N		●	●		●	●							115~127V/60Hz
	DA35-10013E						●							220~240V/50Hz,*/XTL
18	DA63-01363B	COVER RELAY	●	●		●	●	●		●	●	1	SA	
	DA63-01866A				●				●					
19	DA97-03896A	ASSY CHASSIS-COMP					●				1	SA		
19-1	DA64-01806A	CHASSIS COMP					●				1	SNA		
19-2	DA61-40126B	CASTER-REAR					●				2	SA		
19-3	DA60-90146A	PIN-CASTER					●				2	SA		
20	MD4A1QL1U/E02	COMPRESSOR	●	●		●	●	●		●	●	1	SC	R600a,220~240V/50Hz
	MD4A1QL1U/E03				●				●					R600a,220~240V/50Hz
	MK172QL2U/E18						●	●			●			R134a,220~240V/50Hz
	MK162DL1U/E08		●	●		●	●	●						R134a,115~127V/60Hz
	MK172HL2U/E18						●							R134a,220~240V/50Hz,*/XTL
21	DA63-01933C	TRAY DRAIN-WATER					●				1	SA		
22	DA63-02017A	GROMMET-COMP					●				4	SA		
23	DA60-20008A	BOLT-HEX					●				4	SA		
24	6011-001656	BOLT-HEX					●				4	SA		
25	DA62-01514A	DRYER					●				1	SA		
26	6002-000458	SCREW-TAPPING					●				1	SA		
27	DA60-10123E	SCREW-HEX					●				2	SNA		
28	6011-001656	BOLT-HEX					●				2	SA		

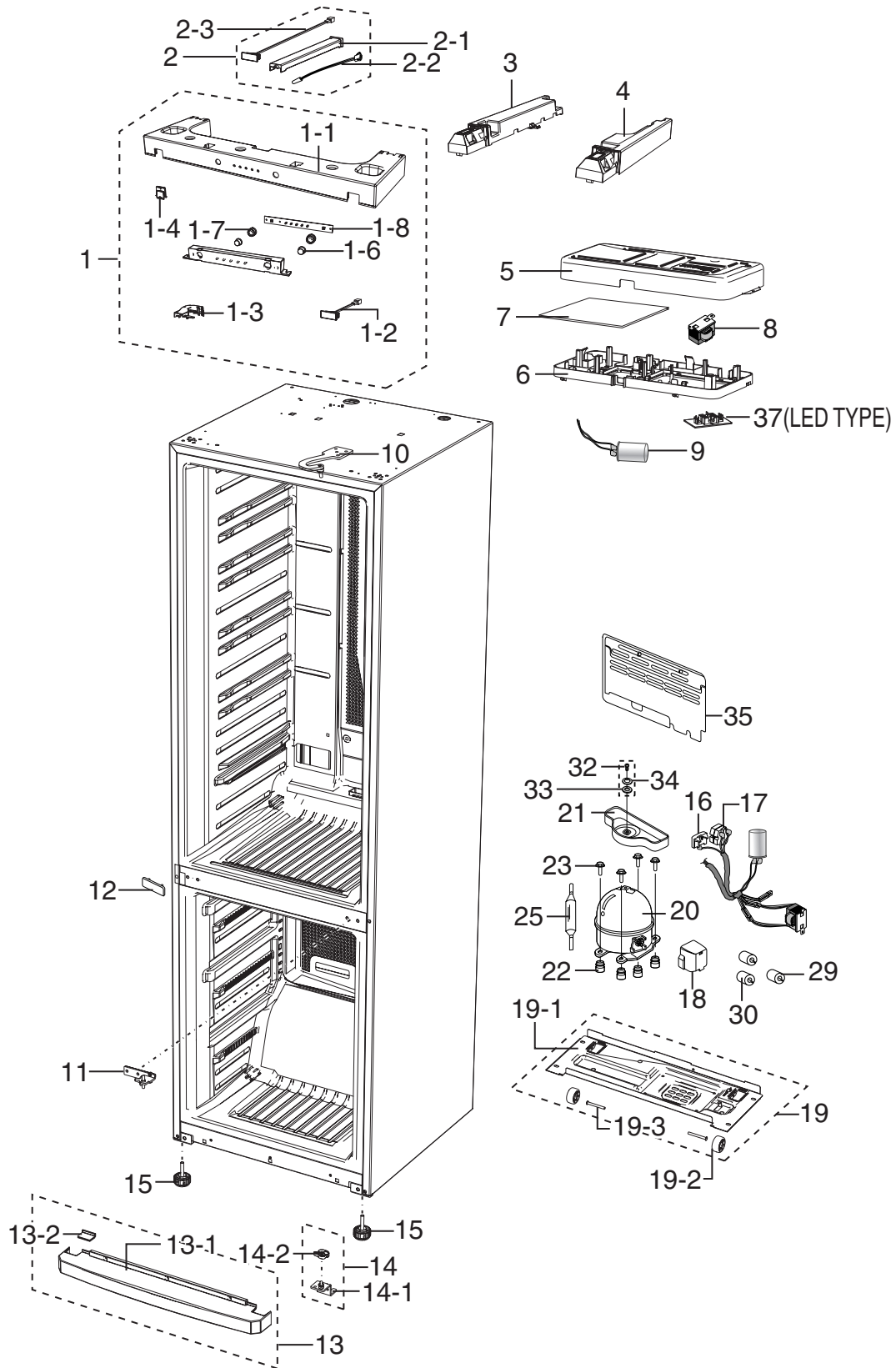
EXPLODED VIEW & PARTS LIST

■ Parts List of Cabinet & Unit - LED MODEL

NO	CODE-NO	PART NAME	MODEL									Quantity	SA/SNA	Remark
			RL44E	RL44W	RL44P	RL41H	RL41E	RL41W	RL41P	RL38H	RL38E			
29	DA63-40171B	GROMMET-SUCT PIPE A					●					2	SA	
30	DA63-40171D	GROMMET-SUCT PIPE B					●					1	SA	
31	6002-000213	SCREW-TAPPING					●					9	SA	
32	6001-000033	SCREW-MACHINE					●					1	SNA	
33	DA60-00015A	WASHER-					●					1	SNA	
34	DA60-40104J	WASHER					●					1	SA	
35	DA97-03985B	ASSY COVER-COMP					●					1	SA	
36	6002-000213	SCREW-TAPPING					●					2	SA	
37	DA96-00628E	ASSY FUSE BLOCK					●					1	SA	Only for R600a Model
38	DA41-00372A	PBA SMPS-LED SUB					●					1	SA	LED TYPE

EXPLODED VIEW & PARTS LIST

5-11) Cabinet - LED SEMI Model



EXPLODED VIEW & PARTS LIST

■ Parts List of Cabinet & Unit - LED SEMI MODEL

NO	CODE-NO	PART NAME	MODEL			Quantity	SA/SNA	Remark
			RL44S	RL41S	RL38S			
1	DA97-04804H	ASSY CAP-CABI SEMI		●		1	SA	RL***PS
	DA97-04804J			●				RL***SW
	DA97-04804K			●	●			RL***IS
					●			RL***TB
1-1	DA67-01585E	CAP-CABI SEMI		●		1	SA	RL***PS
	DA67-01585F			●				RL***SW
	DA67-01585G			●	●			RL***IS
					●			RL***TB
1-2	DA34-00043A	SWITCH REED-ASS'Y		●		1	SA	
1-3	DA63-03029C	COVER-WIRE HINGE L		●		1	SA	RL***PS
	DA63-03029D			●				RL***SW
	DA63-03029B			●	●			RL***IS
					●			RL***TB
1-4	DA67-01433J	CAP-HOLE HINGE UPP		●		1	SA	RL***PS
	DA67-01433K			●				RL***SW
	DA67-01433H			●	●			RL***IS
					●			RL***TB
1-5	DA63-03079A	COVER-CONTROL SEMI		●		1	SA	
1-6	DA64-01824A	BUTTON		●		2	SA	RL***PS
	DA64-01824B			●				RL***SW
	DA64-01824C			●	●			RL***IS
					●			RL***TB
1-7	DA63-03080A	GASKET-BUTTON SEMI		●		2	SA	
1-8	DA41-00370A	PBA PANEL-SEMI		●		1	SA	
1-9	6002-000466	SCREW-TAPPING		●		2	SA	
2	DA97-04064C	ASSY COVER-WIRE CABI		●		1	SA	
2-1	DA63-03074A	COVER-WIRE CABI		●		1	SA	
2-2	DA32-00011P	SENSOR TEMP-EXT		●		1	SA	
2-3	DA96-00285C	ASSY W/HARNESS-DISPLAY		●		1	SA	
3	DA97-05669G	ASSY CAP-CABI SIDE L		●	●	1	SA	RL***IS
				●				RL***TB
	DA97-05669H			●				RL***PS
	DA97-05669J			●				RL***SW
4	DA97-05668G	ASSY CAP-CABI SIDE R		●	●	1	SA	RL***IS
				●				RL***TB
	DA97-05668H			●				RL***PS
	DA97-05668J			●				RL***SW
5	DA63-03020B	COVER PCB-PANEL		●		1	SA	
6	DA61-02742A	CASE PCB-PANEL		●		1	SA	
7	DA41-00362C	PBA MAIN-SEMI		●		1	SA	
8	DA26-00009K	TRANS POWER		●		1	SA	
9	2501-001186	C-OIL		●		1	SA	220-240V/50Hz
10	DA97-03899A	ASSY HINGE-UPP		●		1	SA	
11	DA97-03900A	ASSY HINGE-MID		●		1	SA	
12	DA67-00195A	CAP-HINGE HOLE-MID		●		1	SA	
13	DA97-03955G	ASSY COVER-LEG FRONT		●	●	1	SA	RL***IS
				●				RL***TB
	DA97-03955H			●				RL***PS
	DA97-03955J			●				RL***SW
13-1	DA63-03031B	COVER LEG-FRONT		●	●	1	SA	RL***IS
				●				RL***TB
	DA63-03031C			●				RL***PS

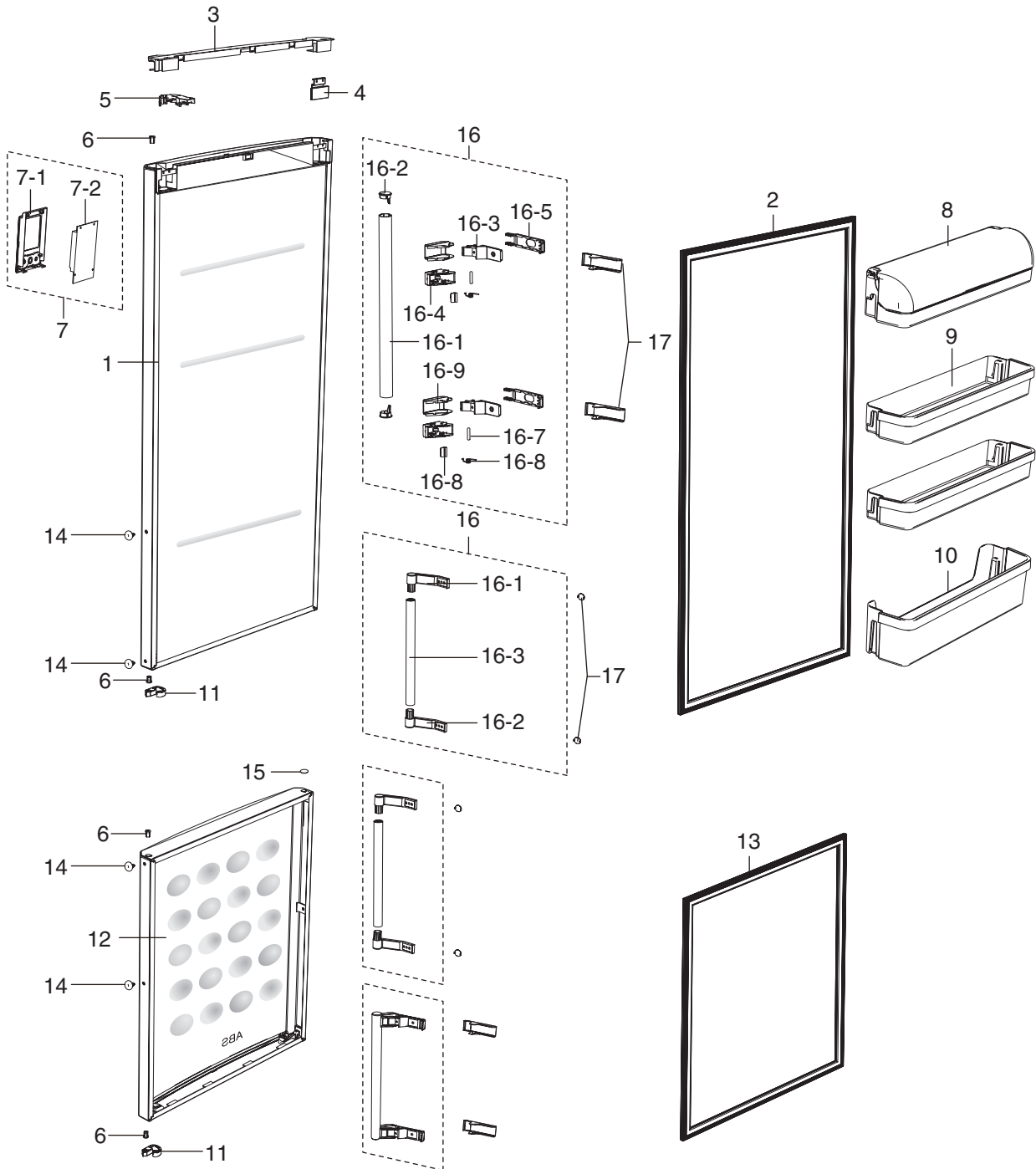
EXPLODED VIEW & PARTS LIST

■ Parts List of Cabinet & Unit - LED SEMI MODEL

NO	CODE-NO	PART NAME	MODEL			Quantity	SA/SNA	Remark
			RL44S	RL41S	RL38S			
	DA63-03031D			●				RL****SW
13-2	DA67-01434C	CAP-HOLE HINGE LOW		●		1	SA	
	DA67-01434D			●				
13-3	6002-000215	SCREW-TAPPING		●		1	SA	
14	DA97-03947B	ASSY HINGE-LOW		●		1	SA	
14-1	DA61-02753A	HINGE-LOW		●		1	SA	
14-2	DA61-02756B	GUIDE-AUTO CLOSE		●		1	SA	
14-3	6001-000039	SCREW-MACHINE		●		1	SA	
15	DA61-00805A	FOOT-FRONT		●		2	SA	
16	DA34-10004A	RELAY PROTECTOR O/L	●			1	SA	R600a
	DA34-10003K			●	●			R134a
17	DA35-10013B	RELAY-PTC		●		1	SA	
18	DA63-01363B	COVER RELAY	●			1	SA	
	DA63-01866A			●	●			
19	DA97-03896A	ASSY CHASSIS-COMP		●		1	SA	
19-1	DA64-01806A	CHASSIS COMP		●		1	SNA	
19-2	DA61-40126B	CASTER-REAR		●		2	SA	
19-3	DA60-90146A	PIN-CASTER		●		2	SA	
20	MD4A1QL1U/E02	COMPRESSOR	●			1	SC	R600a
	MK172QL2U/E18			●	●			R134a
21	DA63-01933C	TRAY DRAIN-WATER		●		1	SA	
22	DA63-02017A	GROMMET-COMP		●		4	SA	
23	DA60-20008A	BOLT-HEX		●		4	SA	
24	6011-001656	BOLT-HEX		●		4	SA	
25	DA62-01514A	DRYER		●		1	SA	
26	6002-000458	SCREW-TAPPING		●		1	SA	
27	DA60-10123E	SCREW-HEX		●		2	SNA	
28	6011-001656	BOLT-HEX		●		2	SA	
29	DA63-40171B	GROMMET-SUCT PIPE A		●		2	SA	
30	DA63-40171D	GROMMET-SUCT PIPE B		●		1	SA	
31	6002-000213	SCREW-TAPPING		●		9	SA	
32	6001-000033	SCREW-MACHINE		●		1	SNA	
33	DA60-00015A	WASHER-		●		1	SNA	
34	DA60-40104J	WASHER		●		1	SA	
35	DA97-03985B	ASSY COVER-COMP		●		1	SA	
36	6002-000213	SCREW-TAPPING		●		2	SA	
37	DA41-00372A	PBA SMPS-LED SUB		●		1	SA	LED TYPE

EXPLODED VIEW & PARTS LIST

5-12) Door - LCD Model



EXPLODED VIEW & PARTS LIST

■ Parts List of Door - LCD MODEL

NO	CODE-NO	PART NAME	MODEL		Quantity	SA/SNA	Remark
			RL44Q	RL44F			
1	DA91-02263M	ASSY DOOR FOAM REF		●	1	SA	RL****US
	DA91-02263B			●			RL****IS
	DA91-02263C		●				RL****PS
	DA91-02263J			●			RL****TB
	DA91-02263R		●				RL****IH
2	DA97-04097A	ASSY-GASKET DOOR REF		●	1	SA	
3	DA63-03045A	COVER-WIRE DOOR		●	1	SA	RL****US
	DA63-03045B		●				RL****IS
			●				RL****IH
	DA63-03045C		●				RL****TB
			●		RL****PS		
4	DA67-01437A	CAP-SPACE DOOR		●	1	SA	RL****US
	DA67-01437B		●				RL****IS
			●				RL****IH
	DA67-01437C		●				RL****TB
			●		RL****PS		
5	DA63-03030A	COVER-WIRE HINGE R		●	1	SA	RL****US
	DA63-03030B		●				RL****IS
			●				RL****IH
	DA63-03030C		●				RL****TB
			●		RL****PS		
6	DA63-03046A	GROMMET-HINGE		●	4	SA	
7	DA97-04023H	ASSY COVER-CONTROL		●	1	SA	RL****US
			●				RL****IS
	DA97-04023J		●				RL****IH
	DA97-04023K		●				RL****PS
			●		RL****TB		
7-1	DA97-04001H	ASSY COVER-CONTROL SUB		●	1	SA	RL****US
			●				RL****IS
	DA97-04001J		●				RL****IH
	DA97-04001K		●				RL****PS
			●		RL****TB		
7-2	DA41-00371A	PBA PANEL-LCD		●	1	SA	
7-3	6002-000466	SCREW-TAPPING		●	4	SA	
8	DA97-03880A	ASSY GUARD-DAIRY		●	1	SA	
9	DA64-01900A	TRIM-GUARD VARIETY		●	2	SA	
10	DA64-01899A	TRIM-GUARD BOTTLE		●	1	SA	
11	DA61-02773B	STOPPER-DOOR		●	1	SA	
12	DA91-02262B	ASSY DOOR FOAM FRE		●	1	SA	RL****IS
	DA91-02262C		●				RL****PS
	DA91-02262E			●			RL****TB
	DA91-02262V			●			RL****US
	DA91-02262Z		●				RL****IH
13	DA97-04098A	ASSY-GASKET DOOR FRE		●	1	SA	
14	DA67-00859B	CAP-DOOR HANDLE		●	4	SA	RL****US
			●				RL****IS
	DA67-00859C		●				RL****IH
			●				RL****TB
	DA67-00859D		●		RL****PS		

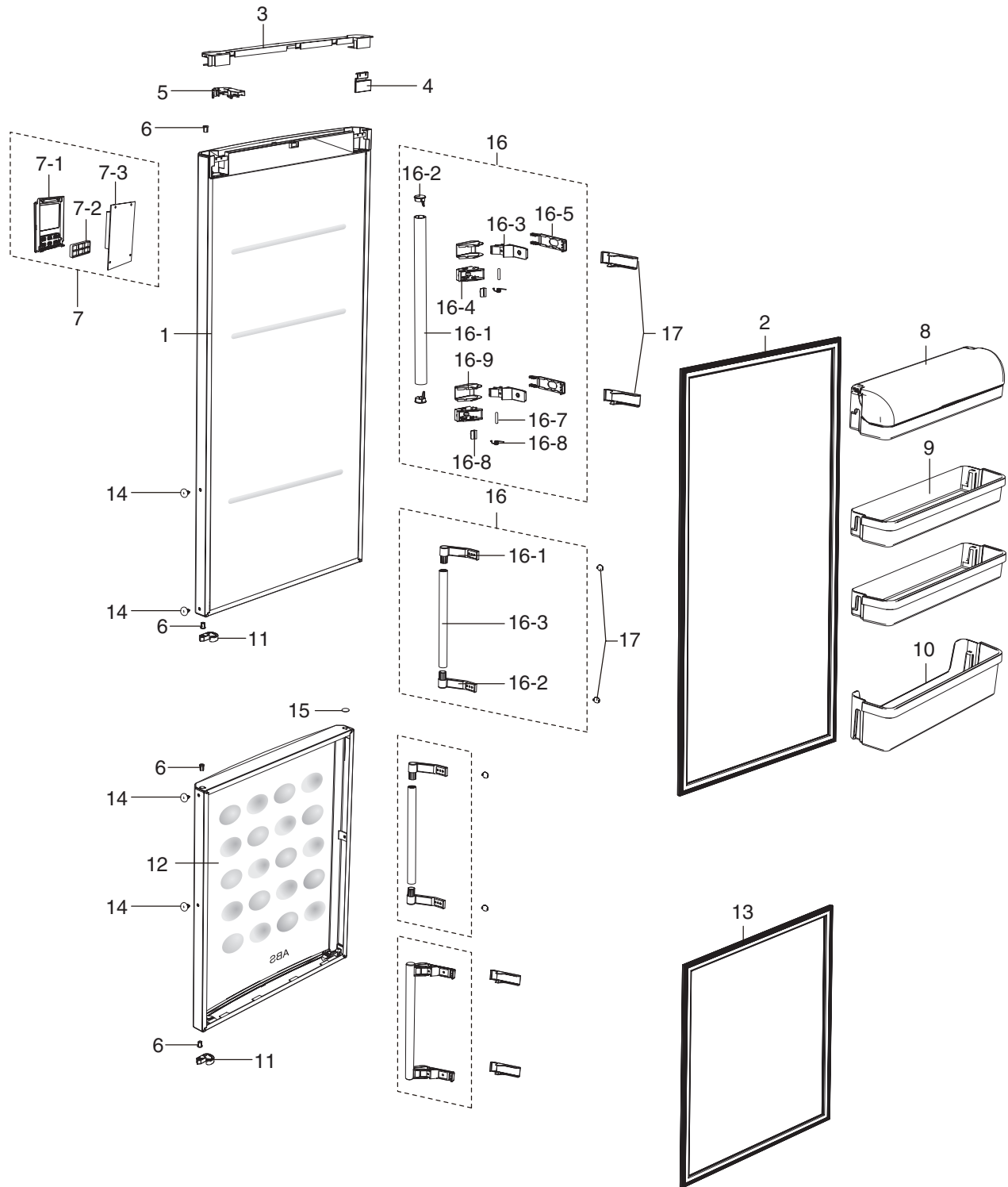
EXPLODED VIEW & PARTS LIST

■ Parts List of Door - LCD MODEL

NO	CODE-NO	PART NAME	MODEL		Quantity	SA/SNA	Remark
			RL44Q	RL44F			
15	DA67-01612A	CAP-HINGE HOLE		•	1	SA	RL****US
	DA67-01612B			•			RL****IS
	DA67-01612C			•			RL****IH RL****TB RL****PS
EASY-HANDLE							
16	DA97-05332A	ASSY HANDLE-EASY		•	2	SA	RL***EUS
	DA97-05332D		•				RL***EIS RL***ETB
16-1	DA64-01974A	HANDLE-BAR		•	1	SA	RL***EUS
	DA64-01974E		•				RL***EIS RL***ETB
16-2	DA67-01452A	CAP-HANDLE SIDE		•	2	SA	RL***EUS
	DA67-01452D		•				RL***EIS RL***ETB
16-3	DA61-02912A	SUPPORT-HANDLE A		•	2	SNA	RL***EUS
	DA61-02912D		•				RL***EIS RL***ETB
16-4	DA61-03503A	SUPPORT-HANDLE B		•	2	SA	RL***EUS
	DA61-03503D		•				RL***EIS RL***ETB
16-5	DA61-02914A	SLIDER-HANDLE		•	2	SA	RL***EUS
	DA61-02914D		•				RL***EIS RL***ETB
16-6	DA61-02915A	SPRING ETC-HANDLE			2	SA	
16-7	DA66-00400A	SHAFT-HANDLE			2	SA	
16-8	DA63-03196A	COVER-SUPT HANDLE REAR		•	2	SNA	RL***EUS
	DA63-03196D		•				RL***EIS RL***ETB
16-9	DA63-03683A	COVER-SUPT HANDLE FRONT		•	2	SA	RL***EUS
	DA63-03683D		•				RL***EIS RL***ETB
16-10	DA97-03655A	ASSY-SCREW TAPPING		•	2	SA	
17	DA63-03197A	COVER-SLIDER HANDLE		•	4	SA	RL***EUS
	DA63-03197D			•			RL***EIS RL***ETB
18	6001-001767	SCREW-MACHINE		•	4	SA	
BAR HANDLE							
16	DA97-03953N	ASSY HANDLE		•	2	SA	ABS,RL***CUS
	DA97-03953Q			•			ABS,RL***CIS
	DA97-03953R			•			ABS,RL**CTB
	DA97-03953S			•			AL,RL***GIS
	DA97-03953T			•			AL,RL***GIH AL,RL***GTB AL,RL***GPS
16-1	DA61-02774A	SUPPORT-HANDLE UP		•	1	SA	RL****US
	DA61-02774B		•				RL****IS RL****IH
	DA61-02774D		•				RL****PS RL****TB

EXPLODED VIEW & PARTS LIST

5-13) Door - LED Model



EXPLODED VIEW & PARTS LIST

■ Parts List of Door - LED Model

NO	CODE-NO	PART NAME	MODEL					Quantity	SA/SNA	Remark
			RL44E	RL41H	RL41E	RL38H	RL38E			
1	DA91-02263D	ASSY DOOR FOAM REF	●					1	SA	RL****IS
	DA91-02263E		●							RL****PS
	DA91-02263F		●							RL****SW
	DA91-02263K		●							RL****TB
	DA91-02263M		●							RL****US
	DA91-02324A			●						RL****US
	DA91-02324B			●	●					RL****IS
	DA91-02324C			●	●					RL****PS
	DA91-02324D				●					RL****SW
	DA91-02324E			●	●					RL****TB
	DA91-02324H			●	●					RL****IH
	DA91-02328A					●	●			RL****PS
	DA91-02328B					●	●			RL****SW
	DA91-02328C					●	●			RL****TB
DA91-02328D				●	●	RL****IS				
2	DA97-04097A	ASSY-GASKET DOOR REF	●					1	SA	
	DA97-04097B			●	●					
	DA97-04097C					●	●			
3	DA63-03045A	COVER-WIRE DOOR	●	●				1	SA	RL****US
	DA63-03045B				●					RL****IS
	DA63-03045C			●	●					RL****IH
	DA63-03045D				●					RL****TB
4	DA67-01437A	CAP-SPACE DOOR	●	●				1	SA	RL****PS
	DA67-01437B				●					RL****US
	DA67-01437C			●	●					RL****IS
	DA67-01437D				●					RL****IH
	DA67-01437E				●					RL****TB
5	DA63-03030A	COVER-WIRE HINGE R	●	●				1	SA	RL****PS
	DA63-03030B				●					RL****US
	DA63-03030C			●	●					RL****IS
	DA63-03030D				●					RL****IH
6	DA63-03046A	GROMMET-HINGE			●			4	SA	RL****TB
										RL****PS
7	DA97-04022T	ASSY COVER-CONTROL	●	●				1	SA	RL****SW
	DA97-04022U				●					RL****US
	DA97-04022V			●	●					RL****IS
	DA97-04022W				●					RL****IH
						●				
7-1	DA97-04006S	ASSY COVER-CONTROL SUB	●	●				1	SA	RL****PS
	DA97-04006T				●					RL****US
	DA97-04006U			●	●					RL****IS
	DA97-04006V				●					RL****IH
7-2	DA63-03047A	GASKET-KNOB CONTROL			●			1	SA	RL****TB

EXPLODED VIEW & PARTS LIST

■ Parts List of Door - LED Model

NO	CODE-NO	PART NAME	MODEL					Quantity	SA/SNA	Remark
			RL44E	RL41H	RL41E	RL38H	RL38E			
7-3	DA41-00369G	PBA PANEL-LED			●			1	SA	
7-4	6002-000466	SCREW-TAPPING			●			4	SA	
8	DA97-03880A	ASSY GUARD-DAIRY			●			1	SA	
9	DA64-01900A	TRIM-GUARD VARIETY	●	●				2	SA	PREMIUM
	DA63-03034A	GUARD-VARIETY			●					NORMAL
10	DA64-01899A	TRIM-GUARD BOTTLE	●	●				1	SA	PREMIUM
	DA63-03033A	GUARD-BOTTLE			●					NORMAL
11	DA61-02773B	STOPPER-DOOR			●			1	SA	
12	DA91-02262B	ASSY DOOR FOAM FRE	●					1	SA	RL****IS
	DA91-02262C		●							RL****PS
	DA91-02262D		●							RL****SW
	DA91-02262E		●							RL****TB
	DA91-02262V		●							RL****US
	DA91-02262F			●						RL****US
	DA91-02262G			●	●					RL****IS
	DA91-02262H			●	●					RL****PS
	DA91-02262J				●					RL****SW
	DA91-02262K			●	●					RL****TB
	DA91-02629A			●	●					RL****IH
	DA91-02262L					●	●			RL****PS
	DA91-02262M					●	●			RL****SW
	DA91-02262N					●	●			RL****TB
DA91-02262U				●	●	RL****IS				
13	DA97-04098A	ASSY-GASKET DOOR FRE			●			1	SA	
14	DA67-00859B	CAP-DOOR HANDLE	●	●				4	SA	RL****US
				●			RL****IS			
	DA67-00859C			●	●					RL****IH
				●						RL****TB
	DA67-00859D				●					RL****PS
DA67-00859E		●		●	●		RL****SW			
15	DA67-01612A	CAP-HINGE HOLE	●	●				1	SA	RL****US
				●			RL****IS			
	DA67-01612B			●	●					RL****IH
				●						RL****TB
	DA67-01612C				●					RL****PS
DA67-01612D		●		●	●		RL****SW			
EASY-HANDLE										
16	DA97-05332A	ASSY HANDLE-EASY	●	●				2	SA	RL***EUS
	DA97-05332B			●						RL***EIS
	DA97-05332C				●					RL***ESW
16-1	DA64-01974A	HANDLE-BAR	●	●				2	SA	RL***EUS
	DA64-01974C				●					RL***EIS
	DA64-01974D				●					RL***ESW
16-2	DA67-01452A	CAP-HANDLE SIDE	●	●				2	SA	RL***EUS
				●						RL***EIS
	DA67-01452C				●					RL***EPS
16-3	DA61-02912A	SUPPORT-HANDLE A	●	●				2	SNA	RL***EUS
	DA61-02912C			●						RL***EIS
	DA61-02912B				●					RL***ESW
				●				RL***EPS		

EXPLODED VIEW & PARTS LIST

■ Parts List of Door - LED Model

NO	CODE-NO	PART NAME	MODEL					Quantity	SA/SNA	Remark
			RL44E	RL41H	RL41E	RL38H	RL38E			
16-4	DA61-03503A	SUPPORT-HANDLE B	●	●				2	SA	RL***EUS
	DA61-03503B			●						RL***EIS
	DA61-03503C				●					RL***ESW
					●					RL***EPS
16-5	DA61-02914A	SLIDER-HANDLE	●	●				2	SA	RL***EUS
	DA61-02914C			●						RL***EIS
	DA61-02914B				●					RL***ESW
					●					RL***EPS
16-6	DA61-02915A	SPRING ETC-HANDLE	●	●	●			2	SA	
16-7	DA66-00400A	SHAFT-HANDLE	●	●	●			2	SA	
16-8	DA63-03196A	COVER-SUPT HANDLE REAR	●	●				2	SNA	RL***EUS
	DA63-03196C			●						RL***EIS
	DA63-03196B				●					RL***ESW
					●					RL***EPS
16-9	DA63-03683A	COVER-SUPT HANDLE FRONT	●	●				2	SA	RL***EUS
	DA63-03683B			●						RL***EIS
	DA63-03683C				●					RL***ESW
					●					RL***EPS
16-10	DA97-03655A	ASSY-SCREW TAPPING	●	●	●			2	SA	
17	DA63-03197A	COVER-SLIDER HANDLE	●	●				4	SA	RL***EUS
	DA63-03197B			●						RL***EIS
	DA63-03197D				●					RL***ESW
	DA63-03197C				●					RL***EPS
18	6001-001767	SCREW-MACHINE	●	●	●			4	SA	
			BAR HANDLE							
16	DA97-03953K	ASSY HANDLE	●	●	●	●	●	2	SA	ABS,RL***CPS
	DA97-03953N		●	●	●	●	●			ABS,RL***CUS
	DA97-03953P		●	●	●	●	●			ABS,RL***CIS
	DA97-03953Q		●	●	●	●	●			ABS,RL***CIH
	DA97-03953R		●	●	●	●	●			ABS,RL***CSW
	DA97-03953S		●	●	●	●	●			ABS,RL***CTB
	DA97-03953T		●	●	●	●	●			AL,RL***GIS
	DA97-03953U		●	●	●	●	●			AL,RL***GTB
			●	●	●	●	●			AL,RL***GPS
	●	●	●	●	●	AL,RL***GSW				
16-1	DA61-02774A	SUPPORT-HANDLE UPP	●	●				1	SA	RL****US
	DA61-02774B		●	●	●	●	●			RL****IS
	DA61-02774C		●	●	●	●	●			RL****IH
	DA61-02774D		●	●	●	●	●			RL****PS
			●	●	●	●	●			RL****SW
16-2	DA61-02775A	SUPPORT-HANDLE LOW	●	●				1	SA	RL****US
	DA61-02775B		●	●	●	●	●			RL****IS
	DA61-02775C		●	●	●	●	●			RL****IH
	DA61-02775D		●	●	●	●	●			RL****PS
			●	●	●	●	●			RL****SW
	●	●	●	●	●	RL****TB				

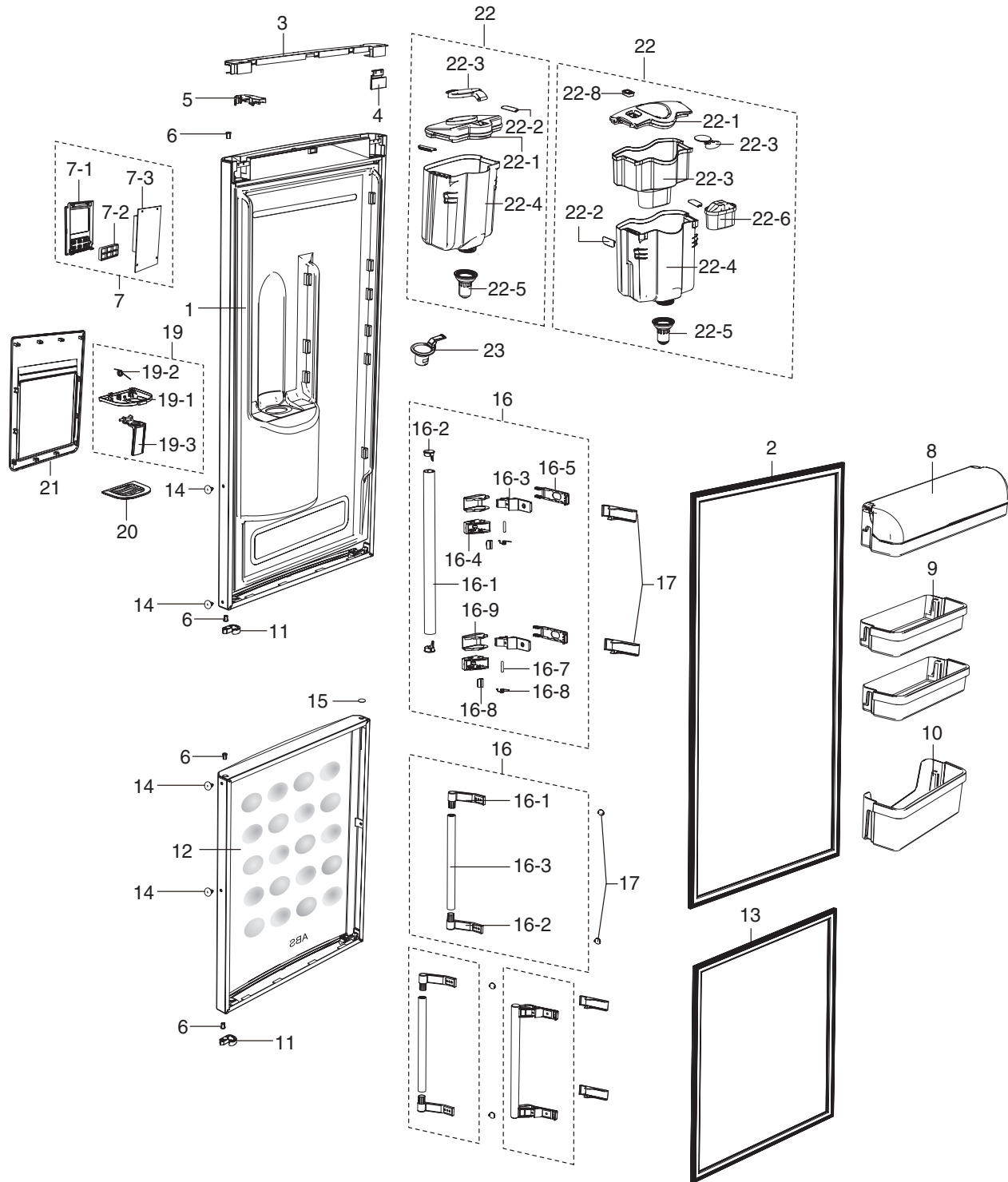
EXPLODED VIEW & PARTS LIST

Parts List of Door - LED Model

NO	CODE-NO	PART NAME	MODEL					Quantity	SA/SNA	Remark	
			RL44E	RL41H	RL41E	RL38H	RL38E				
16-3	DA64-01815A	HANDLE-BAR	●	●				1	SA	ABS,RL***CUS	
			●	●	●	●	●			ABS,RL***CIS	
			●	●						ABS,RL***CIH	
	DA64-01815B		●	●	●		●			ABS,RL***CTB	
	DA64-01815C		●		●	●	●			ABS,RL***CPS	
	DA64-01815D		●		●		●			ABS,RL***CSW	
	DA64-01916A					●				AL,RL***GIS	
	DA64-01916B			●		●	●			AL,RL***GPS	
	DA64-01916C			●	●	●	●			AL,RL***GTB	
						●	●			AL,RL***GSW	
17	DA67-01438D	CAP-SCREW HANDLE	●		●	●	●	4	SA	RL****SW	
	DA67-01438H		●	●	●	●	●			RL****PS	
	DA67-01438J		●	●						RL****US	
			●	●	●	●	●			RL****IS	
				●	●						RL****IH
	DA67-01438K		●	●	●	●	●			RL****TB	
18	6001-001767	SCREW-MACHINE			●			4	SA		

EXPLODED VIEW & PARTS LIST

5-14) Door - LED Dispenser Model



EXPLODED VIEW & PARTS LIST

■ Parts List of Door - LED Dispenser

NO	CODE-NO	PART NAME	MODEL				Quantity	SA/SNA	Remark
			RL44W	RL44P	RL41W	RL41P			
1	DA91-02372B	ASSY DOOR FOAM REF	●	●			1	SA	RL****PS
	DA91-02372C		●						RL****IS
	DA91-02372D		●						RL****SW
	DA91-02372E		●						RL****TB
	DA91-02402B				●	●			RL****PS
	DA91-02402C				●				RL****IS
	DA91-02402D				●	●			RL****SW
	DA91-02402E				●				RL****TB
	DA91-02402H					●			RL****IH
2	DA97-04097A	ASSY-GASKET DOOR REF	●				1	SA	
	DA97-04097B				●				
3	DA63-03045B	COVER-WIRE DOOR	●		●		1	SA	RL****IS
						●			RL****IH
	●			●		RL****TB			
	DA63-03045C		●	●	●	RL****PS			
DA63-03045D	●		●	●	RL****SW				
4	DA67-01437B	CAP-SPACE DOOR	●		●		1	SA	RL****IS
						●			RL****IH
	●			●		RL****TB			
	DA67-01437C		●	●	●	RL****PS			
DA67-01437D	●		●	●	RL****SW				
5	DA63-03030B	COVER-WIRE HINGE R	●		●		1	SA	RL****IS
						●			RL****IH
	●			●		RL****TB			
	DA63-03030C		●	●	●	RL****PS			
DA63-03030D	●		●	●	RL****SW				
6	DA63-03046A	GROMMET-HINGE		●			4	SA	
7	DA97-04022T	ASSY COVER-CONTROL	●		●		1	SA	RL****IS
					●	RL****IH			
	DA97-04022U		●		●				RL****PS
	DA97-04022V		●	●	●	●			RL****TB
	DA97-04022W		●		●	●			RL****SW
	DA97-04022X				●				RL****PS1/XTL
7-1	DA97-04006S	ASSY COVER-CONTROL SUB	●		●		1	SA	RL****IS
					●	RL****IH			
	DA97-04006T		●		●				RL****PS
	DA97-04006U		●	●	●	●			RL****TB
DA97-04006V	●		●	●	RL****SW				
7-2	DA63-03047A	GASKET-KNOB CONTROL			●		1	SA	
7-3	DA41-00369G	PBA PANEL-LED			●		1	SA	
	DA41-00369J				●				RL****PS1/XTL
7-4	6002-000466	SCREW-TAPPING			●		4	SA	
8	DA97-03880A	ASSY GUARD-DAIRY			●		1	SA	
9	DA63-03313A	GUARD-VARIETY			●		2	SA	
10	DA63-03312A	GUARD-BOTTLE			●		1	SA	
11	DA61-02773B	STOPPER-DOOR			●		1	SA	
12	DA91-02262B	ASSY DOOR FOAM FRE	●				1	SA	RL****IS
	DA91-02262C		●	●					RL****PS
	DA91-02262D		●						RL****SW
	DA91-02262E		●						RL****TB
	DA91-02262G				●				RL****IS
	DA91-02262H				●	●			RL****PS

EXPLODED VIEW & PARTS LIST

■ Parts List of Door - LED Dispenser

NO	CODE-NO	PART NAME	MODEL				Quantity	SA/SNA	Remark
			RL44W	RL44P	RL41W	RL41P			
	DA91-02262J	ASSY DOOR FOAM FRE			●	●	1	SA	RL****SW
	DA91-02262K				●				RL****TB
	DA91-02629A					●			RL****IH
13	DA97-04098A	ASSY-GASKET DOOR FRE		●			1	SA	
14	DA67-00859C	CAP-DOOR HANDLE	●		●		4	SA	RL****IS
					●	RL****IH			
			●	●		RL****TB			
	DA67-00859D		●	●	●	RL****PS			
	DA67-00859E		●	●	●		RL****SW		
15	DA67-01612B	CAP-HINGE HOLE	●		●		1	SA	RL****IS
					●	RL****IH			
			●	●		RL****TB			
	DA67-01612C		●	●	●	RL****PS			
	DA67-01612D		●	●	●		RL****SW		
EASY-HANDLE									
16	DA97-05332B	ASSY HANDLE-EASY			●		2	SA	RL*E**SW
	DA97-05332C				●				RL*E**PS
16-1	DA64-01974C	HANDLE-BAR			●		2	SA	RL*E**SW
	DA64-01974D				●				RL*E**PS
16-2	DA67-01452C	CAP-HANDLE SIDE			●		2	SA	RL*E**SW
	DA67-01452A				●				RL*E**PS
16-3	DA61-02912C	SUPPORT-HANDLE A			●		2	SNA	RL*E**SW
	DA61-02912B				●				RL*E**PS
16-4	DA61-03503B	SUPPORT-HANDLE B			●		2	SA	RL*E**SW
	DA61-03503C				●				RL*E**PS
16-5	DA61-02914C	SLIDER-HANDLE			●		2	SA	RL*E**SW
	DA61-02914B				●				RL*E**PS
16-6	DA61-02915A	SPRING ETC-HANDLE			●		2	SA	
16-7	DA66-00400A	SHAFT-HANDLE			●		2	SA	
16-8	DA63-03196C	COVER-SUPT HANDLE REAR			●		2	SNA	RL*E**SW
	DA63-03196B				●				RL*E**PS
16-9	DA63-03683B	COVER-SUPT HANDLE FRONT			●		2	SA	RL*E**SW
	DA63-03683C				●				RL*E**PS
16-10	DA97-03655A	ASSY-SCREW TAPPING			●		2	SA	
17	DA63-03197B	COVER-SLIDER HANDLE			●		4	SA	RL*E**SW
	DA63-03197D				●				RL*E**PS
18	6001-001767	SCREW-MACHINE			●		4	SA	
BAR HANDLE									
16	DA97-03953K	ASSY HANDLE	●		●	●	2	SA	ABS,RL**CPS
	DA97-03953N		●		●				ABS,RL**CIS
	DA97-03953P		●		●	●			ABS,RL**CIH
	DA97-03953R				●				ABS,RL**CSW
	DA97-03953S		●		●				AL,RL***GIS
	DA97-03953T			●	●	●			AL,RL***GTB
	DA97-03953U				●				AL,RL***GPS
				●		AL,RL***GSW			
16-1	DA61-02774A	SUPPORT-HANDLE UPP	●		●		1	SA	RL****IS
					●	RL****IH			
	DA61-02774B		●	●	●	RL****PS			
	DA61-02774C		●		●	RL****SW			
	DA61-02774D		●	●		RL****TB			

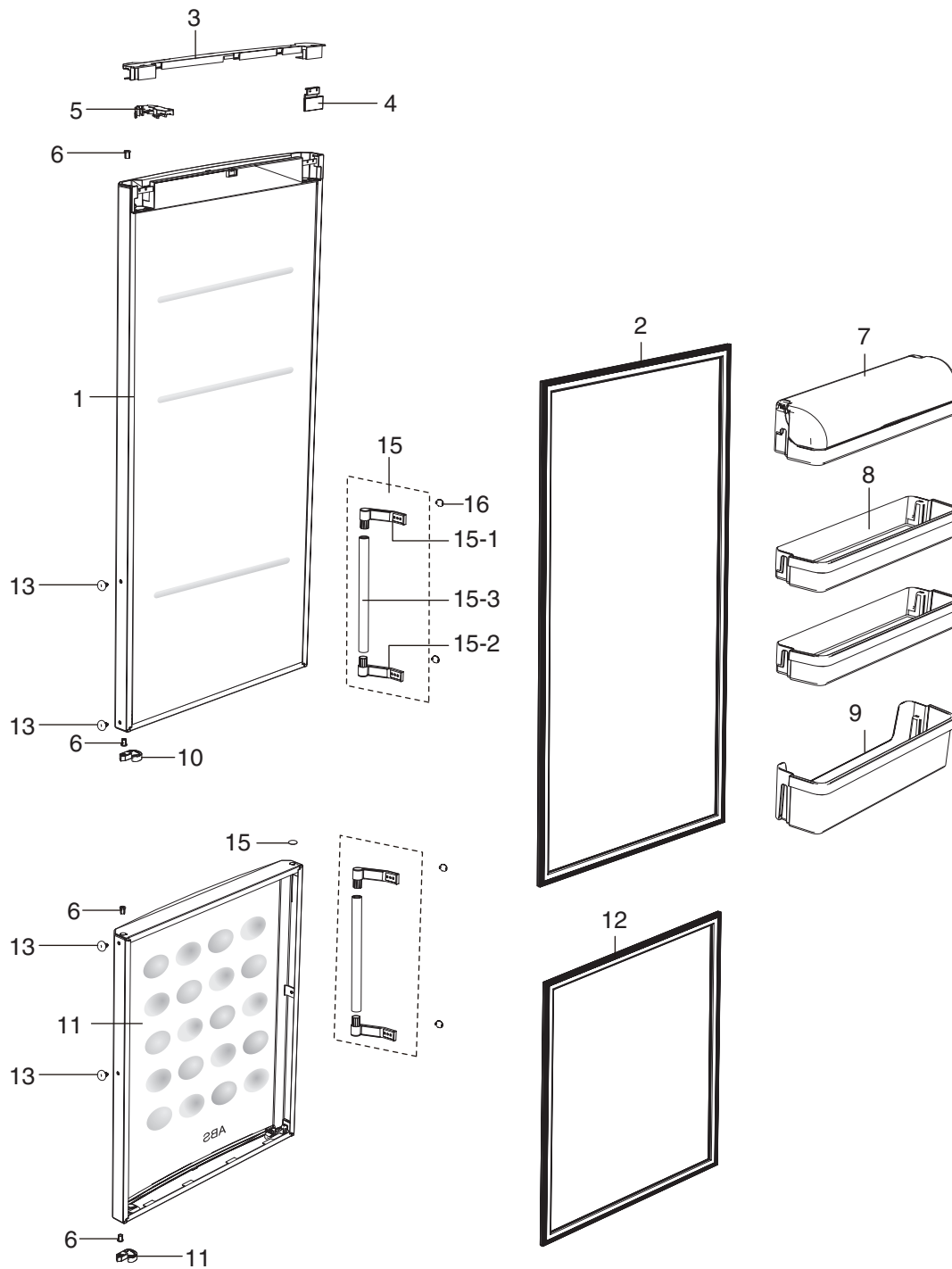
EXPLODED VIEW & PARTS LIST

■ Parts List of Door - LED Dispenser

NO	CODE-NO	PART NAME	MODEL				Quantity	SA/SNA	Remark
			RL44W	RL44P	RL41W	RL41P			
16-2	DA61-02775A	SUPPORT-HANDLE LOW	●		●		1	SA	RL****IS
	DA61-02775B				●	RL****IH			
	DA61-02775C		●	●	●	RL****PS			
	DA61-02775D		●	●	●	RL****SW			
16-3	DA64-01815A	HANDLE-BAR	●		●		1	SA	ABS,RL***CIS
	DA64-01815C		●		●	●			ABS,RL***CIH
	DA64-01815D		●		●	●			ABS,RL***CPS
	DA64-01916A				●				ABS,RL***CSW
	DA64-01916B		●	●	●	●			AL,RL***GIS
	DA64-01916C			●	●	●			AL,RL***GPS
17	DA67-01438D	CAP-SCREW HANDLE	●		●	●	4	SA	RL****SW
	DA67-01438H		●	●	●	●			RL****PS
	DA67-01438J				●				RL****IS
	DA67-01438K		●		●				RL****IH
18	6001-001767	SCREW-MACHINE		●			4	SA	RL****TB
19	DA97-04575B	ASSY LEVER DISP	●	●	●	●	1	SA	RL****PS
	DA97-04575C		●		●	●			RL****IS
	DA97-04575D		●		●	●			RL****IH
	DA97-04575E		●		●	●			RL****TB
19-1	DA61-03041B	CASE-LEVER DISPENSER	●	●	●	●	1	SA	RL****SW
	DA61-03041C		●		●	●			RL****PS
	DA61-03041D		●		●	●			RL****IS
	DA61-03041E		●		●	●			RL****IH
19-2	DA61-20146A	SPRING ETC-LEVER		●		1	SA	RL****TB	
19-3	DA66-00410A	LEVER-DISPENSER		●		1	SA	RL****SW	
20	DA63-03307B	TRAY-DISPENSER	●	●	●	●	1	SA	RL****PS
	DA63-03307C		●		●	●			RL****IS
	DA63-03307D		●		●	●			RL****IH
	DA63-03307E		●		●	●			RL****TB
21	DA63-03306B	COVER DISPENSER	●	●	●	●	1	SA	RL****SW
	DA63-03306C		●		●	●			RL****PS
	DA63-03306D		●		●	●			RL****IS
	DA63-03306E		●		●	●			RL****IH
WATER TANK Without FILTER									
22	DA97-02005A	ASSY TANK WATER		●		●	1	SA	RL****TB
22-1	DA63-00240B	COVER TANK-WATER		●		●	1	SA	RL****SW
22-2	DA65-20004B	CLAMPER BAG-CLAMP TANK		●		●	2	SNA	
22-3	DA67-30216C	CAP WATER TANK-WATER		●		●	1	SA	
22-4	DA74-00051B	TANK WATER-WATER		●		●	1	SA	
22-5	DA97-00217D	ASSY-COCK,DISPENSER		●		●	1	SA	

EXPLODED VIEW & PARTS LIST

5-15) Door - LED SEMI Model



EXPLODED VIEW & PARTS LIST

■ Parts List of Door - LED SEMI Model

NO	CODE-NO	PART NAME	MODEL			Quantity	SA/SNA	Remark
			RL44S	RL41S	RL38S			
1	DA91-02263G	ASSY DOOR FOAM REF	●			1	SA	RL****PS
	DA91-02263H		●					RL****SW
	DA91-02326A			●				RL****PS
	DA91-02326B			●				RL****IS
	DA91-02326C			●				RL****SW
	DA91-02326D			●				RL****TB
	DA91-02329A				●			RL****PS
	DA91-02329B				●			RL****SW
	DA91-02329C				●			RL****IS
	DA91-02329D				●			RL****TB
2	DA97-04097A	ASSY-GASKET DOOR REF	●			1	SA	
	DA97-04097B			●				
	DA97-04097C				●			
3	DA63-03045B	COVER-WIRE DOOR		●	●	1	SA	RL****IS
	DA63-03045C			●	●			RL****TB
	DA63-03045D			●				RL****PS
4	DA67-01437B	CAP-SPACE DOOR		●	●	1	SA	RL****IS
	DA67-01437C			●	●			RL****TB
	DA67-01437D			●				RL****PS
5	DA63-03030B	COVER-WIRE HINGE R		●	●	1	SA	RL****IS
	DA63-03030C			●	●			RL****TB
	DA63-03030D			●				RL****PS
6	DA63-03046A	GROMMET-HINGE		●		4	SA	
7	DA97-03880A	ASSY GUARD-DAIRY		●		1	SA	
8	DA63-03034A	GUARD-VARIETY		●		2	SA	
9	DA63-03033A	GUARD-BOTTLE		●		1	SA	
10	DA61-02773A	STOPPER-DOOR		●		1	SA	
11	DA91-02262C	ASSY DOOR FOAM FRE	●			1	SA	RL****PS
	DA91-02262D		●					RL****SW
	DA91-02325A			●				RL****PS
	DA91-02325B			●				RL****IS
	DA91-02325C			●				RL****SW
	DA91-02325H			●				RL****TB
	DA91-02325D				●			RL****PS
	DA91-02325E				●			RL****SW
	DA91-02325F				●			RL****IS
	DA91-02325G				●			RL****TB
12	DA97-04098A	ASSY-GASKET DOOR FRE		●		1	SA	
13	DA67-00859C	ASSY-GASKET DOOR FRE		●	●	4	SA	RL****IS
	DA67-00859D			●	●			RL****TB
	DA67-00859E			●				RL****PS
14	DA67-01612B	CAP-HINGE HOLE		●	●	1	SA	RL****IS
	DA67-01612C			●	●			RL****TB
	DA67-01612D			●				RL****PS

