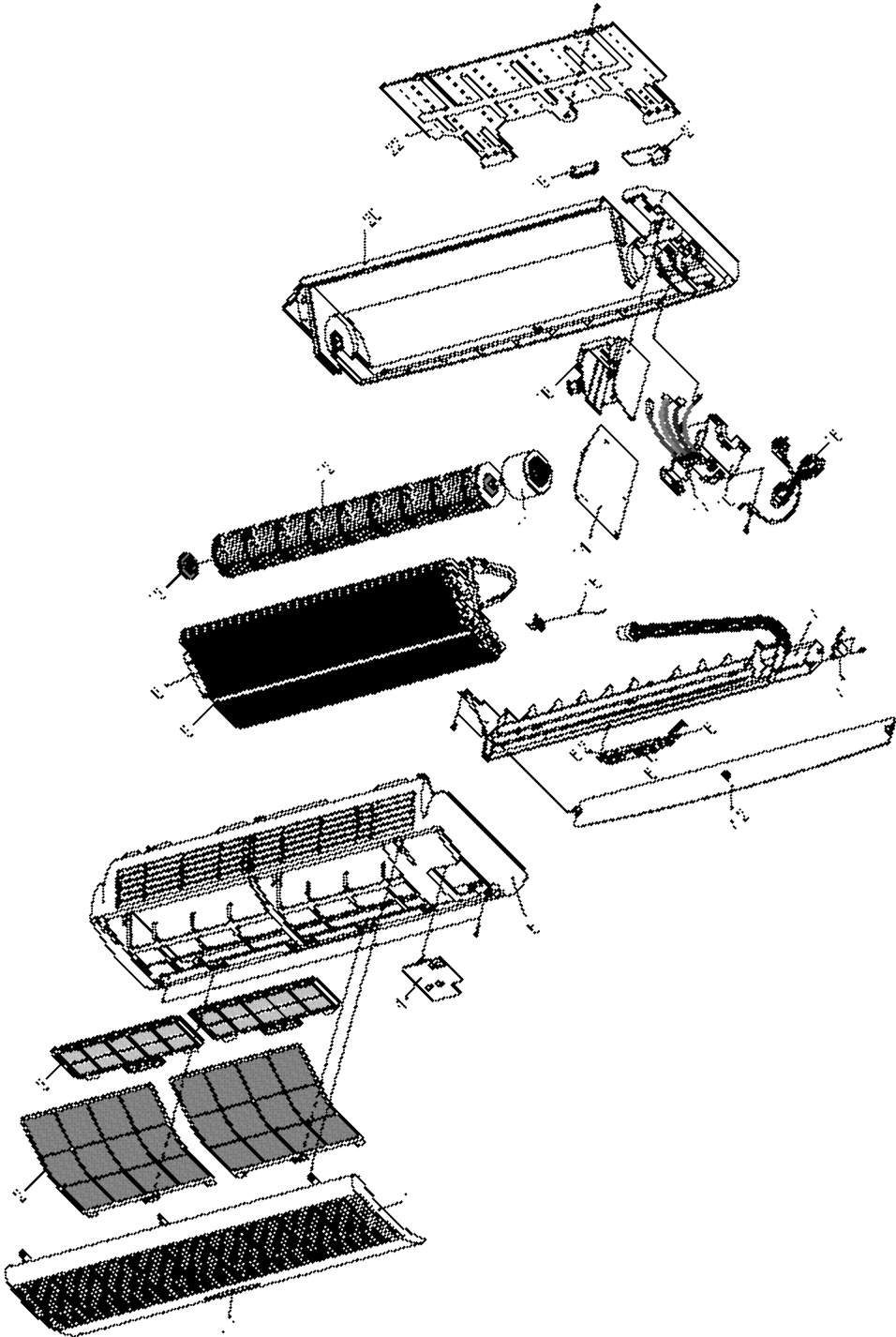

6. Exploded Views and Parts List

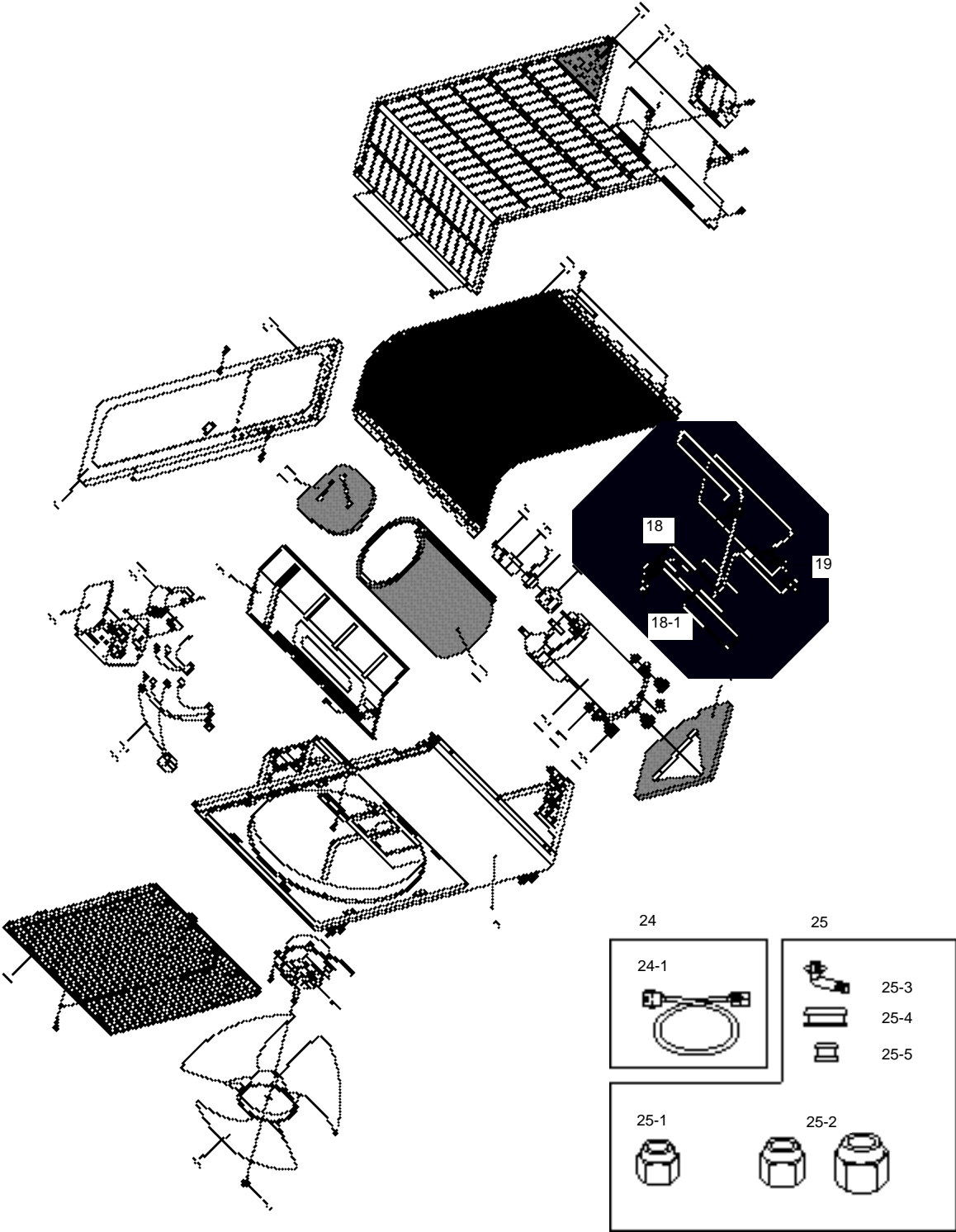
6-1 Indoor Unit



■ Parts List

No.	CODE NO	Description	Specification	Q'TY												Remark
				ASH070VE ASH070VD	ASH071VE ASH071VD	ASH074VE ASH074VD	ASH075VE ASH075VD	ASH090VE ASH090VD	ASH091VE ASH091VD	ASH094VE ASH094VD	ASH095VE ASH095VD	ASH120VE ASH120VD	ASH121VE ASH121VD	ASH124VE ASH124VD	ASH125VE ASH125VD	
1	DB64-10140A DB64-10143A	GRILLE AIR INLET "	ABS ABS	1 -	1 -	- 1	- 1	1 -	1 -	- 1	- 1	1 -	1 -	- 1	- 1	
1-1	DB64-70073A DB64-70075A	PANEL CENTER DISPLAY "	PC PC	1 -	1 -	- 1	- 1	1 -	1 -	- 1	- 1	1 -	1 -	- 1	- 1	
2	DB63-30131A	GUARD AIR FILTER	PP	2	2	2	2	2	2	2	2	2	2	2	2	
3	DB74-10091A	ASS'Y FILTER	CLEANER/CARBON	-	1	-	1	-	1	-	1	-	1	-	1	
4	DB63-10472B	COVER TERMINAL	HIPS	1	1	1	1	1	1	1	1	1	1	1	1	
5	DB92-70075C DB92-70081A	ASS'Y FRONT PANEL "	ASS'Y ASS'Y	1 -	1 -	- 1	- 1	1 -	1 -	- 1	- 1	1 -	1 -	- 1	- 1	
6	DB93-10470A DB93-10475A	ASS'Y PCB DISPLAY "	ASS'Y ASS'Y	1 -	1 -	- 1	- 1	1 -	1 -	- 1	- 1	1 -	1 -	- 1	- 1	⚠ ⚠
6-1	DB61-10137A DB61-10143A	CASE CENTER PCB "	PC PC	1 -	1 -	- 1	- 1	1 -	1 -	- 1	- 1	1 -	1 -	- 1	- 1	
6-2	DB41-10199A DB41-10200A	PCB DISPLAY "	ASS'Y ASS'Y	1 -	1 -	- 1	- 1	1 -	1 -	- 1	- 1	1 -	1 -	- 1	- 1	
7	DB94-10074B	ASS'Y TRAY DRAIN	ASS'Y	1	1	1	1	1	1	1	1	1	1	1	1	
7-1	DB95-20138A	ASS'Y STEP MOTOR U/D	DC12V.600GR	1	1	1	1	1	1	1	1	1	1	1	1	⚠
7-2	DB66-30153A	BLADE-H	HIPS	1	1	1	1	1	1	1	1	1	1	1	1	
8	DB75-40072A	ASS'Y EVAP	ASS'Y	-	-	-	-	-	-	-	-	-	-	1	1	
8-1	DB75-40074A	"	ASS'Y	-	-	-	-	1	1	1	1	-	-	-	-	
8-2	DB75-40076A	"	ASS'Y	1	1	1	1	-	-	-	-	-	-	-	-	
9	DB67-30058C	SPACER EVAP	PVC	1	1	1	1	1	1	1	1	1	1	1	1	
10	DB61-40250A	ASS'Y HOLDER MOTOR	ASS'Y	1	1	1	1	1	1	1	1	1	1	1	1	
11	DB31-10078F	MOTOR FAN IN	AMPFS040WTVB	1	1	1	1	1	1	1	1	1	1	1	1	⚠
12	DB94-30141A	ASS'Y-C-F-FAN	Ø95 X 619.4mm	1	1	1	1	1	1	1	1	1	1	1	1	
13	DB94-40017A	ASS'Y BEARING	ASS'Y	1	1	1	1	1	1	1	1	1	1	1	1	
14	DB93-10471A DB93-10485A DB93-10483A	ASS'Y MAIN PCB " "	ASS'Y ASS'Y ASS'Y	- - 1	- - 1	- - 1	- - 1	- 1 -	- 1 -	- 1 -	- 1 -	- 1 -	- 1 -	- 1 -	- 1 -	⚠ ⚠ ⚠
15	DB32-10008D	ASS'Y-THERMISTOR	ASS'Y	1	1	1	1	1	1	1	1	1	1	1	1	
16	DB39-10062V	ASS'Y POWER CORD	UCP2	1	1	1	1	1	1	1	1	1	1	1	1	⚠
17	DB65-40052A	ASS'Y TERMINAL BLOCK	ASS'Y	1	1	1	1	1	1	1	1	1	1	1	1	
18	DB61-10136A	CASE CONTROL	ABS	1	1	1	1	1	1	1	1	1	1	1	1	⚠
19	DB61-60093A	BODY-BUSH	HIPS	1	1	1	1	1	1	1	1	1	1	1	1	
20	DB94-20030B	ASS'Y BACK BODY	ASS'Y	1	1	1	1	1	1	1	1	1	1	1	1	
21	DB61-40219A	HOLDER PIPE	HIPS	1	1	1	1	1	1	1	1	1	1	1	1	
22	DB70-10618A	PLATE HANGER	SGCC-M	1	1	1	1	1	1	1	1	1	1	1	1	

6-2 Outdoor Unit

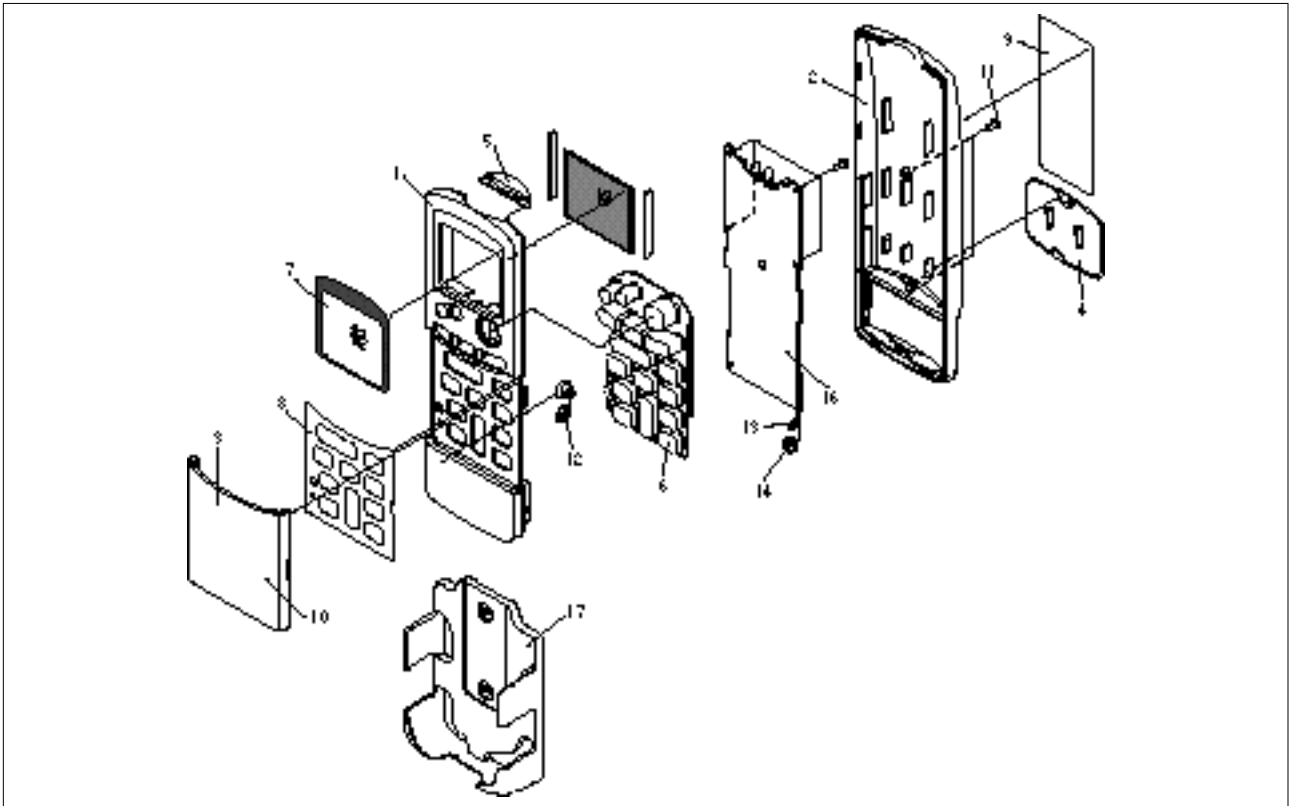


■ Parts List

No.	CODE NO	Description	Specification	Q'TY						Remark
				AXH070VE/ASH071VE AXH074VE/ASH075VE	AXH070VD/ASH071VD AXH074VD/ASH075VD	AXH090VE/ASH091VE AXH094VE/ASH095VE	AXH090VD/ASH091VD AXH094VD/ASH095VD	AXH120VE/ASH121VE AXH124VE/ASH125VE	AXH120VD/ASH121VD AXH124VD/ASH125VD	
1	DB63-30004A	GUARD FAN	ABS	1	1	1	1	1	1	
2	DB60-30004A	NUT FLANGE	2C SM20C M6 NTR	1	1	1	1	1	1	
3	DB67-50063A	PROPELLER-FAN	AS+G/F 0405	1	1	1	1	1	1	
4	DB31-10058C DB31-10140B	MOTOR FAN OUT	AMASS020WTVA AMASS015WTVA	- 1	- 1	- 1	- 1	1 -	1 -	△ △
5	DB90-50009H DB90-50009J	ASS Y FRAME	ASS Y	- 1	- 1	- 1	- 1	1 -	1 -	
6	DB67-30077A DB94-50032B	ASS Y PARTITION	ASS Y	- 1	- 1	- 1	- 1	1 -	1 -	
7	DB64-60138A	CABINET UPPER	SECC-P	1	1	1	1	1	1	
7-1	DB72-50560B	INSU CABI UPPER	FOAM-PE+FOAM-PU	1	1	1	1	1	1	
8	DB91-20074A DB91-20074B DB91-20074C DB91-20074D DB91-20074E DB91-20074F	ASS Y-E PARTS.	ASS Y	- - - - 1 -	- - - - - 1	- - 1 - - -	- - - 1 - -	1 - - - - -	- 1 - - - -	
8-1	2501-001100 2501-001122 2501-001099 2501-001145 2501-001147 2501-001146	CAPACITOR	0.9/30μF 450VAC 1.5/30μF 450VAC 1.5/25μF 450VAC 1.2/30μF 450VAC 1.7/30μF 450VAC 1.7/20μF 450VAC	- - 1 - - -	- - - - - 1	- - - - - -	- - - - 1 -	- - - - - -	1 - - 1 - -	△ △ △ △ △ △
8-2	DB65-40049A	TERMINAL BLOCK	4P	1	1	1	1	1	1	
8-3	DB27-10031A	ASS Y SOLENOID COIL	ASS Y	1	1	1	1	1	1	
8-4	DB39-20376A	COMP & MOTOR WIRE	ASS Y	1	1	1	1	1	1	
8-5	DB47-20001Z DB47-20002B DB47-20001Y DB47-20001V DB47-20002U DB47-20001X	O.L.P.	MRA12030-12008 MST24AMN-12008 MRA12037-12007 MRA98706-12008 MRA12056-12007 MST24AMM-12008	- 1 - - - -	- - - - - 1	- - 1 - - -	- - - - 1 -	1 - - - - -	- - - 1 - -	△ △ △ △ △ △
8-6	DB67-60020A	O.L.P SPRING	STS304	1	1	1	1	1	1	
9	DB72-50566A DB72-50558A	CLOTH COMP BOTTOM	FELT	- 1	- 1	- 1	- 1	1 -	1 -	
10	DB72-50571A DB72-50516B DB72-50516A	CLOTH COMP SIDE	FELT	- 1 -	- 1 -	- 1 -	- 1 -	1 - -	1 - -	
11	DB72-50567A	CLOTH COMP UPPER	FELT	1	1	1	1	1	1	
12	DB95-10062X DB95-10065P DB95-10065M DB95-10063C DB95-10065R	COMPRESSOR	48H124JV1E4 44H070JW1E2 44H092JW1E4 48H124MV1E4 44H092MW1E4 44H070MW1E2	- 1 - - - -	- - - - - 1	- - 1 - - -	- - - - 1 -	- - - - - -	1 - - 1 - -	△ △ △ △ △ △
13	DB73-10004A	GROMMET-ISOLATOR	EPDM	3	3	3	3	3	3	
14	DB60-30029A	NUT-WASHER	HEX 2C MB ZPC	3	3	3	3	3	3	
15	DB63-20002A	GASKET	EPDM	1	1	1	1	1	1	
16	DB63-10165B	COVER TERMINAL	NOTYL	1	1	1	1	1	1	
17	DB60-30018A	NUT-FLANGE	M5_SM20C	1	1	1	1	1	1	
18	DB99-10059B DB99-10068A DB99-10094A	ASS Y 4 WAY VALVE	ASS Y	- - 1	- - 1	- - 1	- - 1	1 - -	1 - -	
18-1	DB62-40035A	4-WAY VALVE	25kg/cm ² G	1	1	1	1	1	1	
19	DB99-10076B DB99-10077B DB99-10095A	ASS Y CHECK VALVE	ASS Y	- - 1	- - 1	- - -	- 1 -	1 - -	1 - -	
20	DB96-30260A DB75-30085A DB75-30063A	ASS Y COND	ASS Y(F.P=1.5) ASS Y(F.P=1.3) ASS Y(F.P=1.5)	- - 1	- - 1	- 1 -	- 1 -	1 - -	1 - -	
21	DB72-50563A	INSU CABI SIDE	FOAMPE+FOAM PU	1	1	1	1	1	1	
22	DB90-10024D	ASS Y CABI SIDE	SECC-P	1	1	1	1	1	1	
23	DB63-10443A	ASS Y COVER E PARTS	ASS Y	1	1	1	1	1	1	
24	DB39-20379A DB39-20381A	ASS Y CABLE BAG	RUBBER	1 3	1 -	1 -	1 -	1 -	1 -	
25	DB99-90033C DB99-90033D	ASS Y FLARE NUT	1/4" & 1/2"	- 1	- 1	- 1	- 1	1 -	1 -	
25-1	DB60-30010A	FLARE NUT	1/4"	2	2	2	2	2	2	OUTDOOR UNIT
25-2	DB60-30010B DB60-30010C	-	3/8" 1/2"	2 -	2 -	2 -	2 -	- 2	- 2	
25-3	DB67-20008A	DRAIN PLUG	ABS	1	1	1	1	1	1	
25-4	DB63-10354A	CAP DRAIN	CR	1	1	1	1	1	1	
25-5	DB63-10355A	-	CR	1	1	1	1	1	1	

6-3 Remote Control & PCB Box

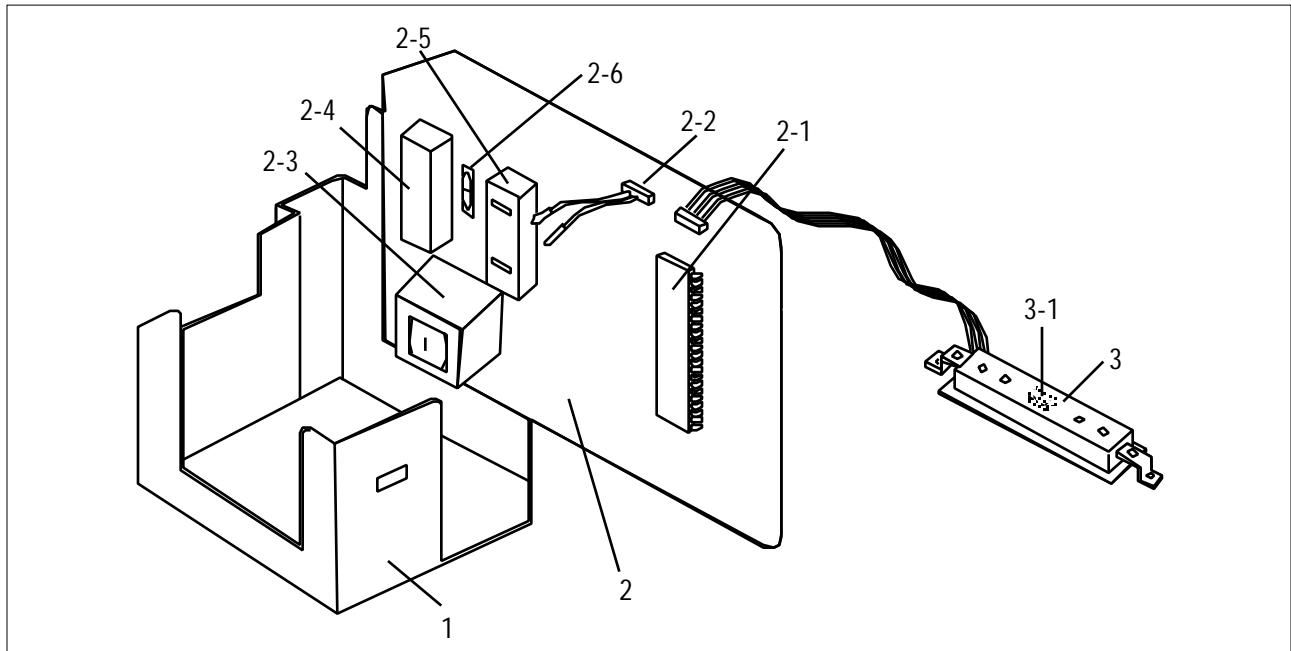
6-3-1 Remote Control



■ Parts List

No	CODE NO	Description	Specification	Q'TY	Remark
	DB93-30052C	ASS'Y CODE			
1	DB61-10144A	CASE UP	ABS	1	
2	DB61-10145A	CASE LOW	ABS	1	
3	DB64-20054A	DOOR REMOCON	ABS	1	
4	DB63-10477A	COVER BATTERY	ABS	1	
5	DB74-10084A	FILTER REMOCON	PC	1	
6	DB73-20110B	RUBBER REMOCON	SILICON	1	
7	DB64-40167A	INLAY LCD	PC	1	
8	DB64-40166B	INLAY REMOCON	PC	1	
9	DB68-10789A	LABEL REMOCON	ART 90	1	
10	DB68-10790A	LABEL DOOR	ART 90	1	
11	PH-M2	SCREW TAP	PH-M2	6	
12	DB67-60061A	SPRING BATTERY	SUS 304	1	
13	DB67-60062A	SPRING BATTERY	SUS 304	1	
14	DB67-60063A	SPRING BATTERY	SUS 304	1	
15	90 x 250	PE BAG	90 x 250	1	
16	DB93-40179C	ASS'Y PCB REMOCON		1	
17	DB61-40243A	HOLDER REMOCON	ABS	1	

6-3-2 PCB Box



■ Parts List

No	CODE NO	Description	Specification	Q'TY			Remark
				7000	9000	12000	
1	DB61-10136A	CASE-CONTROL		1	1	1	
2	DB93-10483A	Ass'y main PCB	-	1	-	-	
	DB93-10485A	Ass'y main PCB	-	-	1	-	
	DB93-10471A	Ass'y main PCB	-	-	-	1	
2-1	DB09-10149A	Micom	MB89635R-466	1	1	1	
2-2	DB32-10008D	Thermistor-EVAP	103AT 240/240	1	1	1	
2-3	DE26-20154A	Trans-power	AC230V DC17V 300mA	1	1	1	
2-4	2306-000294	C-film	CFS 99N 450VAC 155K	1	1	1	
2-5	3501-001058	Power-relay	DI1U DC12V	1	1	1	
2-6	DE32-10037A	Fuse	250V 3.15A	1	1	1	
3	DB93-10470A	Ass'y-display and Remocon Module	-	1	1	1	ASH 070,071 VE/D 090,091 VE/D 120,121 VE/D
	DB93-10475A	Ass'y-display and Remocon Module		1	1	1	ASH 074,075,094,095 124,125 VE/D
3-1	DB32-50021A	Module-remocon	TSOP1238UU1	1	1	1	

MEMO