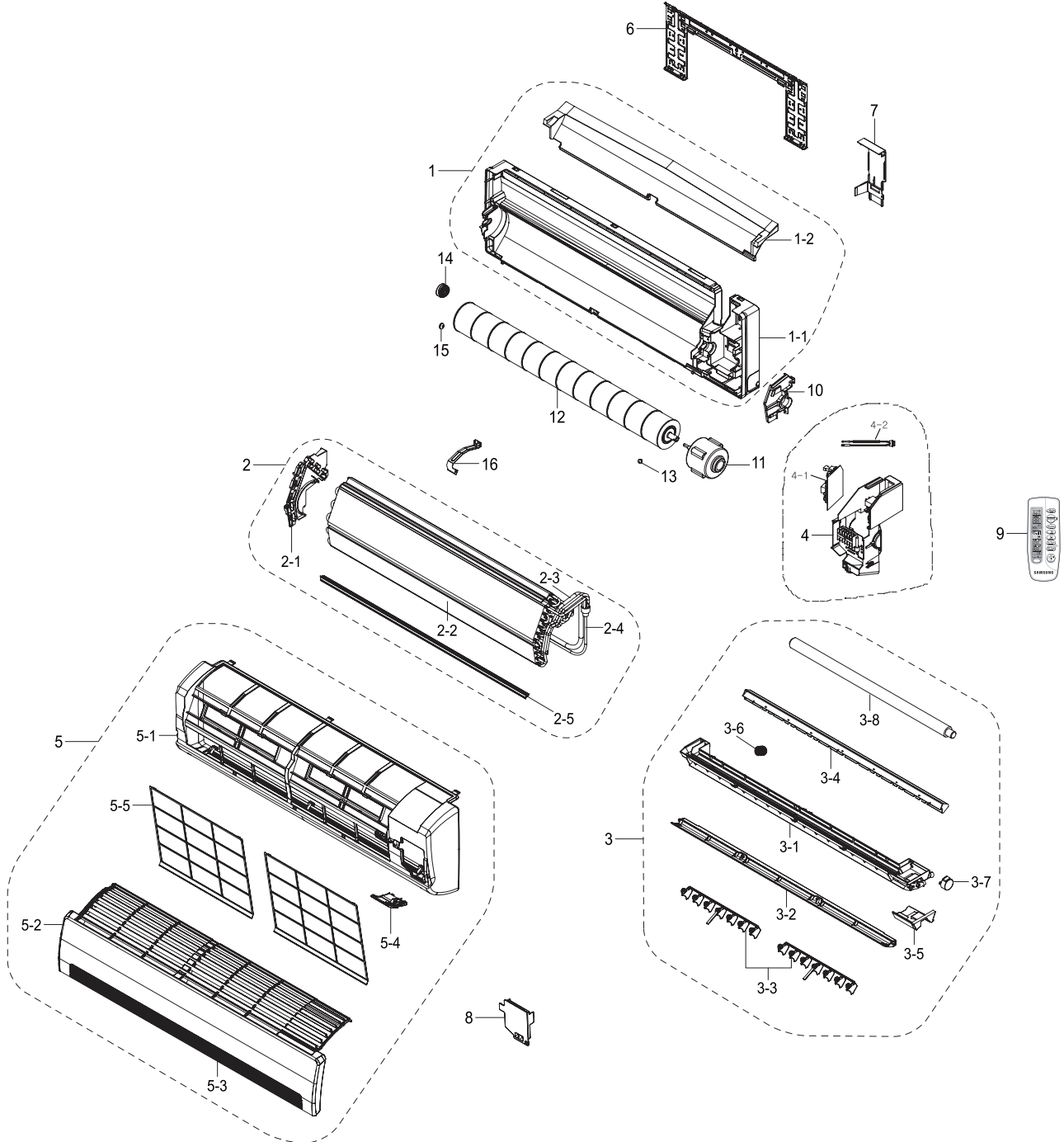


# 5. Exploded Views and Parts List

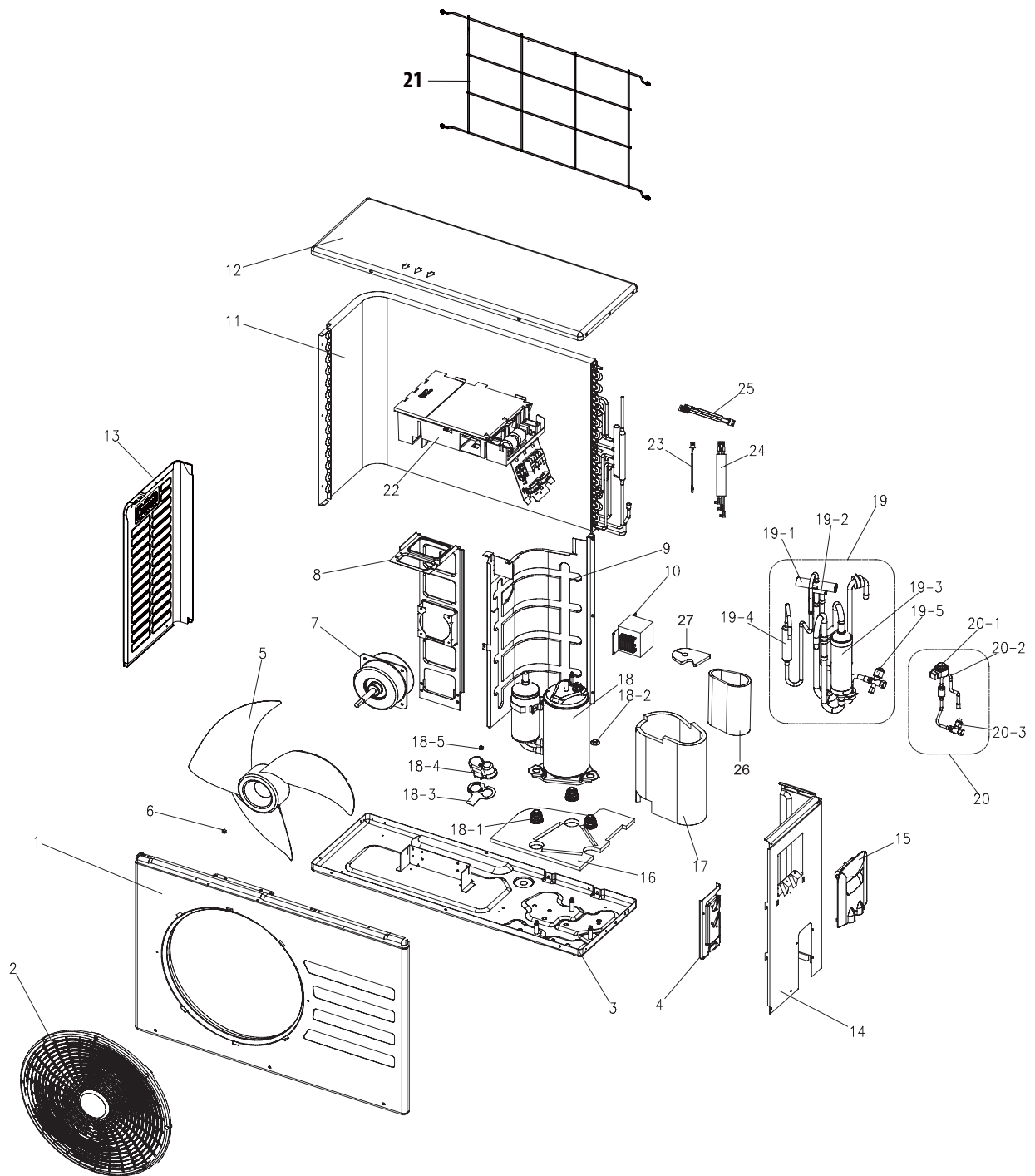
## 5-1 Indoor Unit



## ■ Parts List

No.	Code No.	Description	Specification	Q'TY	SA/SNA
				AQV18NSC	
1	DB94-00615B	ASS'Y BACK BODY	ASS'Y	1	SA
1-1	DB61-01974B	BACK BODY	HIPS	1	SNA
1-2	DB69-01039A	CUSHION BACK BODY	EPS	1	SNA
2	DB96-06587E	ASS'Y EVAP TOTAL	ASS'Y	1	SA
2-1	DB63-01065A	COVER BEARING	ABS	1	SNA
2-2	DB96-04040Q	ASS'Y EVAP MAIN	ASS'Y	1	SNA
	DB96-06525F	ASS'Y EVAP SUB	ASS'Y	1	SNA
2-3	DB96-11682B	ASS'Y TUBE EVAP OUT	ASS'Y	1	SA
2-4	DB96-06500B	ASS'Y TUBE EVAP IN		1	SA
2-5	DB60-00192A	SPACER EVAP LOW		1	SNA
3	DB94-00616H	ASS'Y TRAY DRAIN	ASS'Y	1	SA
3-1	DB63-01071A	TRAY DRAIN	ABS	1	SNA
3-2	DB61-01975C	BLADE-H	HIPS	1	SA
3-3	DB61-01976A	BLADE-V	PP	2	SA
3-4	DB63-01066A	TRAY STABILIZER	ABS	1	SNA
3-5	DB69-01024A	CUSHION EPS TRAY RH	EPS	1	SA
3-6	DB73-00180A	RUBBER CAP DRAIN	GUM-EPM	1	SNA
3-7	DB31-00285A	ASS'Y MOTOR STEPPING	220-240V~, 50/60Hz, Class E	1	SA
3-8	DB94-00458D	ASS'Y DRAIN HOSE	ASS'Y	1	SA
4	DB93-08381A	ASS'Y CONTROL IN	ASS'Y	1	SA
4-1	DB93-08387A	ASS'Y PCB MAIN	ASS'Y	1	SA
4-2	DB95-01990A	ASS'Y THERMISTOR	ASS'Y	1	SA
5	DB92-01235E	ASS'Y PANEL FRONT	ASS'Y	1	SA
5-1	DB64-01184C	PANEL FRONT	HIPS	1	SA
5-2	DB64-02045A	GUARD-AIR INLET		1	SA
5-3	DB64-02046A	DECORATION GRILLE	PC(GRAY)	1	SA
5-4	DB93-02867C	ASS'Y COVER DISPLAY	ASS'Y	1	SA
5-5	DB63-01592B	GUARD AIR FILTER	PP	2	SNA
6	DB90-02738A	ASS'Y PLATE HANGER	ASS'Y	1	SNA
7	DB61-01981B	HOLDER PIPE	PS	1	SNA
8	DB63-01063D	COVER TERMINAL	ABS,5V	1	SA
9	DB93-05083C	ASS'Y REMOCON	ARH-463	1	SA
10	DB90-04857A	ASS'Y SUPPORT EVAP RH	HIPS	1	SA
11	DB31-00267A	MOTOR IN	220-240V~, 50/60Hz, Class E	1	SA
12	DB94-00456H	ASS'Y CROSS FAN	OD92	1	SA
13	DB97-02075A	ASS'Y BOLT SPECIAL	ASS'Y	1	SNA
14	DB94-00455B	ASS'Y RUBBER BEARING	ASS'Y	1	SNA
15	DB94-40007B	ASS'Y BEARING MOTOR	BEARING	1	SA
16	DB61-01977A	BRACKET EVAP	SGCC-M	1	SA

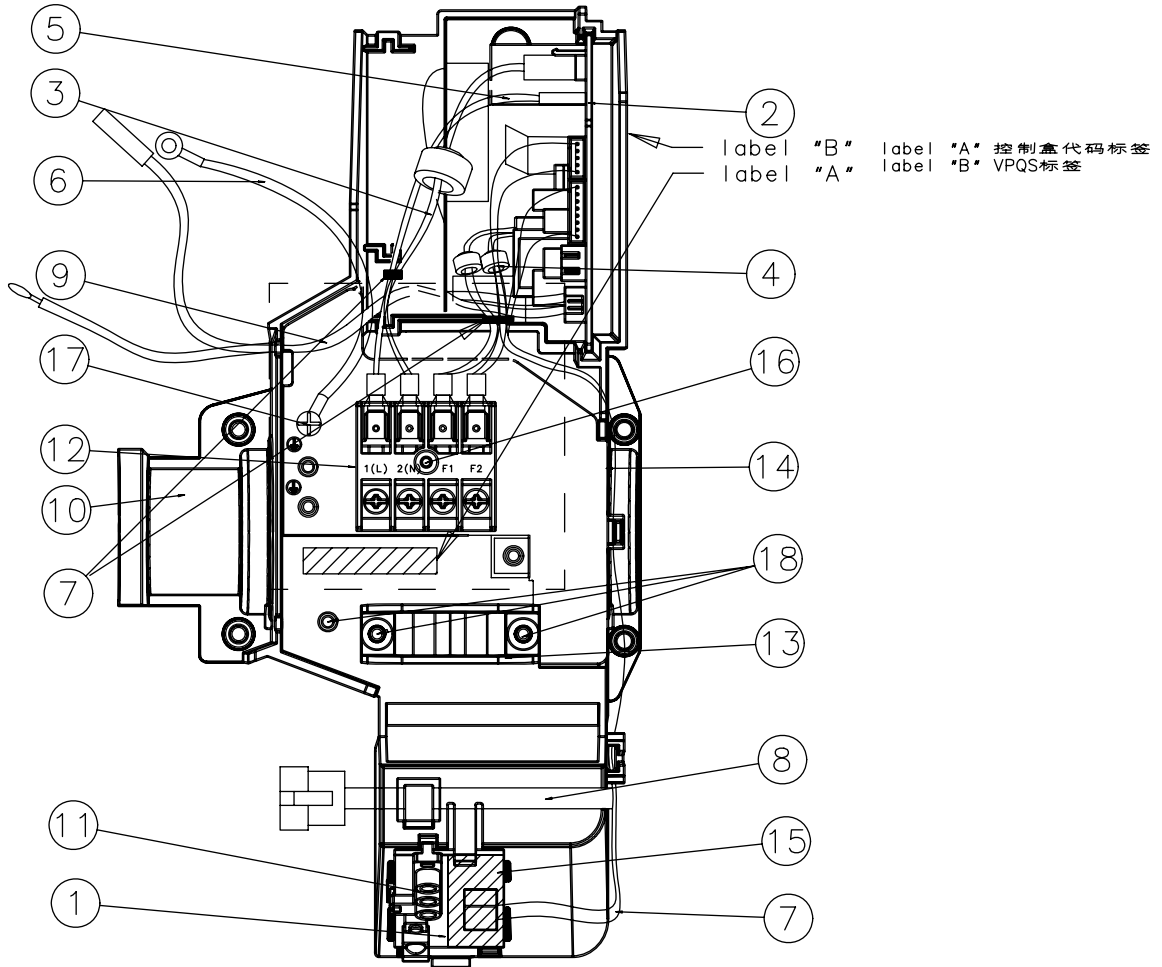
## 5-2 Outdoor Unit



## Parts List

No.	Code No.	Description	Specification	Q'TY	SA/SNA
				AQV18NSC	
1	DB90-03914F	ASS'Y CABI FRONT	ASS'Y, SC-94445T	1	SA
2	DB63-00838A	GUARD FAN	HIPS, SC-90073R	1	SA
3	DB90-00970X	ASS'Y BASE OUT	ASS'Y, SC-94445T	1	SA
4	DB61-01593A	BRACKET VALVE	SECC-P, SC-94445T	1	SA
5	DB67-00142A	FAN-PROPELLER	AS+G/F20%, Φ420	1	SA
6	DB60-30020A	SCREW-MACHINE	M6	1	SA
7	DB31-00492A	MOTOR FAN OUT	AC Motor	1	SA
8	DB61-00686C	BRACKET MOTOR	SGCC-M	1	SA
9	DB94-01210D	ASS'Y PARTITION	ASS'Y, SGCC-M	1	SA
10	DB27-00042A	REACTOR	PPS, 15A	1	SA
11	DB96-04087F	ASS Y COND UNIT	ASS Y	1	SA
12	DB90-10616G	ASS'Y CABI UP	ASS'Y, SC-94445T	1	SA
13	DB90-01351A	ASSY CABINET SIDE LF	ASSY, SC-94445T	1	SA
14	DB90-01651E	ASS'Y CABINET SIDE RH	ASS'Y, SC-94445T	1	SA
15	DB90-03305C	ASSY COVER CONTROL	ABS, SC-90073R	1	SA
16	DB63-01718B	FELT COMP BASE	FELT+PVC Sheet	1	SA
17	DB63-02344A	FELT COMP SIDE	FELT+PVC Sheet	1	SA
18	G4T150FUAEQ-SS	COMPRESSOR	ROTARY, BLDC	1	SA
18-1	DB63-02296A	GROMMET ISOLATOR	NR	3	SA
18-2	DB60-30028A	SCREW HEX	M8	3	SNA
18-3	DB63-00817A	GASKET	EPDM	1	SNA
18-4	DB63-02310A	COVER TERMINAL	PBT (G/F 15%)	1	SNA
18-5	6021-001142	SCREW MACHINE	M5	1	SNA
19	DB96-11299B	ASS'Y VALVE 4WAY	ASS'Y	1	SA
19-1	DB62-02338A	4WAY VALVE	R410A, SANHUA	1	SNA
19-2	DB33-00002C	SOLENOID COIL	ASS'Y	1	SNA
19-4	DB97-02054A	TUBE MUFFLER	C1220T-0	1	SNA
19-5	DB62-02285A	VALVE SERVICE	R410A, SANHUA, 1/2"	1	SNA
20	DB99-01047A	ASS'Y VALVE EEV	ASSY	1	SA
20-1	DB62-05932B	VALVE EXPANSION COIL	FUJIKOKI	1	SNA
20-2	DB62-04065A	VALVE EXPANSION BODY	FUJIKOKI	1	SNA
20-3	DB62-02283A	VALVE SERVICE	R410A, SANHUA, 1/4"	1	SNA
21	DB64-02331A	SCREEN-COND BAR	P.E.H 100%	1	SA
22	DB93-08485A	ASS'Y CONTROL OUT	ASS'Y	1	SA
23	DB32-00176A	THERMISTOR OUT/DIS	ASS'Y	1	SA
24	DB32-00175A	THERMISTOR COND	ASS'Y	1	SA
25	DB93-07443A	CONNECT WIRE COMP	ASS'Y	1	SA
26	DB63-02343A	FELT COMP SIDE OUT	FELT+PVC Sheet	1	SA
27	DB63-02342A	FELT COMP TOP	FELT+PVC Sheet	1	SA

### 5-3 ASSY-CONTROL IN DB93-08381A



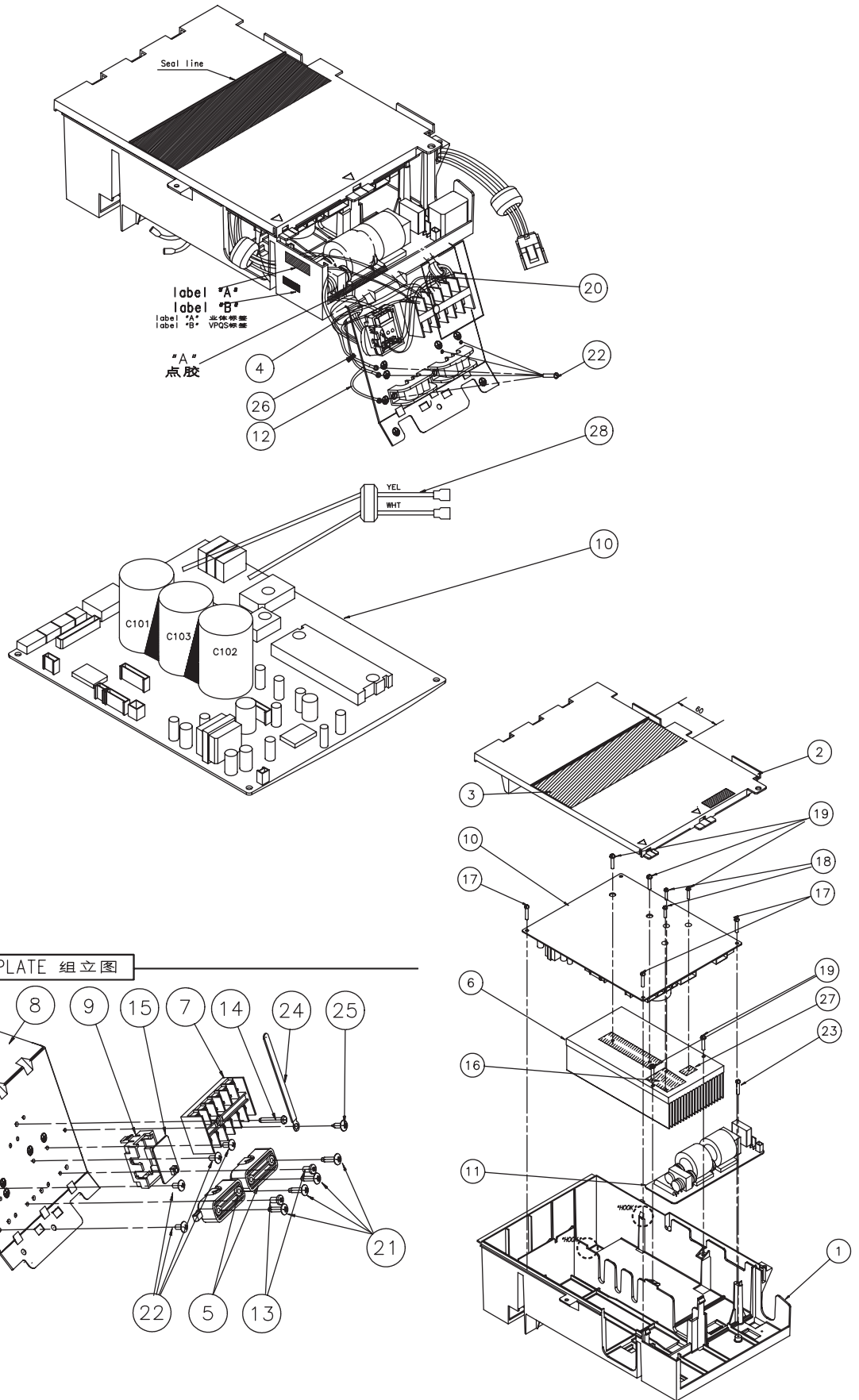
#### PartList

NO	NAME	SPEC	CODE-NO	QTY	SA/SNA
1	ASSY-PCB SUB	Forte INV,DISPLAY	DB93-08402A	1	SA
2	ASSY-PCB MAIN	FORTE, 18K	DB93-08387A	1	SA
3	CONNECT WIRE	SKYBLUE AWG18	DB39-01193A	1	SNA
4	ASSY CONNECTOR WIRE	COM	DB93-07171A	1	SNA
5	CONNECT WIRE-L	BRN AWG14	DB39-00765T	1	SNA
6	CONNECT WIRE-EARTH	YEL/GREEN AWG16	DB39-00148A	1	SNA
7	CABLE TIE	NYLON66	DB65-10088D	2	SNA
8	ASSY CONNECTOR WIRE	STEP MOTOR AWG28	DB93-04832A	1	SNA
9	ASSY THERMISTOR	3%;BLK;SMH200;WHT	DB95-01990A	1	SNA
10	CASE CONTROL-IN	ABS 5V GRAY	DB61-01979B	1	SNA
11	COVER-LAMP	ABS	DB63-00851A	1	SNA
12	ASSY-TERMINAL BLOCK	[1(L),2(N),F1,F2]	DB65-00176C	1	SNA
13	HOLDER WIRE CLAMP	ABS V0 BLK	DB61-01097A	1	SNA
14	PLATE CONTROL IN	Forte/Vivace P/J	DB70-00507A	1	SNA
15	RUBBER BAND	WW2-P/J,SILICON RUBBER	DB73-00242B	1	SNA
16	SCREW	M3,L23(10)	6001-000929	1	SNA
17	SCREW	M4,L8	6009-001001	1	SNA
18	SCREW	M4,L10	6001-001054	3	SNA

# MEMO

# 5-4 Ass'y Control Out

■AQV18E\*\* : DB93-08485A



 **Part List**

Parts Code	Quantity	Parts Description	S A/SNA
6001-001054	2	SCREW-MACHINE	SNA
6002-000214	4	SCREW-TAPPING	SNA
6002-000231	1	SCREW-TAPPING	SNA
6002-000536	1	SCREW-TAPPING	SNA
6002-000555	1	SCREW-TAPPING	SNA
6002-000630	3	SCREW-TAPPING	SNA
6009-001001	5	SCREW-SPECIAL	SNA
DB61-00206B	1	HOLDER-WIRE	SNA
DB61-00250A	2	HOLDER-WIRE CLAMP	SNA
DB61-02973B	1	CASE-CONTROL BASE	SA
DB61-02974B	1	CASE-CONTROL COVER	SA
DB61-02975A	1	CASE-DISPLAY PCB	SNA
DB61-02977B	1	PLATE-CONTROL OUT	SNA
DB62-04566B	1	SEAL-COVER CONTROL	SNA
DB62-05320A	1	INSULATION-MICA	SA
DB62-06103A	1	HEAT SINK	SNA
DB65-00181C	1	TERMINAL BLOCK	SNA
DB65-10088D	2	CABLE-TIE	SNA
DB73-00471A	1	RUBBER-FUSE BLOCK	SNA
DB91-00306A	2	ASSY-SCREW MACHINE	SNA
DB91-00307A	5	ASSY-SCREW MACHINE	SNA
DB93-04329A	1	ASSY PCB SUB-DISPLAY	SA
DB93-04334C	1	ASSY CONNECTOR WIRE	SNA
DB93-04337A	1	ASSY CONNECTOR WIRE	SNA
DB93-08390C	1	ASSY PCB MAIN-OUT	SA
DB93-04344A	1	ASSY CONNECTOR WIRE-EARTH	SNA
DB93-06816A	1	ASSY CONNECTOR WIRE	SNA
DB93-08083A	1	ASSY CONNECTOR WIRE-4WAY	SNA
DB93-08087A	1	ASSY CONNECTOR WIRE	SNA
DB93-08372A	1	ASSY DISPLAY-YELLOW	SNA
DB93-08373A	1	ASSY DISPLAY-RED	SNA
DB93-08374A	1	ASSY DISPLAY-GREEN	SNA
DB93-08529A	1	ASSY CONNECTOR WIRE-POWER	SA
DB93-08529B	1	ASSY CONNECTOR WIRE-POWER	SA
DB95-00595A	1	ASSY-PHOTO COUPLER	SNA
DB95-00960A	1	ASSY-IPM	SNA
DB98-16591A	1	ASSY-DIODE RECTIFIER	SNA
DB98-22298A	1	ASSY-HOOK RED	SNA
DB98-24921A	1	ASSY-HOOK WHT	SNA
DB93-08392A	1	ASSY PCB SUB-EMI	SA
DB93-08435A	1	ASSY CONNECTOR WIRE-POWER	SA
DB95-01712C	1	ASSY-NOISE ABSORBER	SNA
DB97-11259A	1	ASSY-SCREW	SNA
DB98-24813A	0.002	ASSY-THERMAL GREASE	SNA