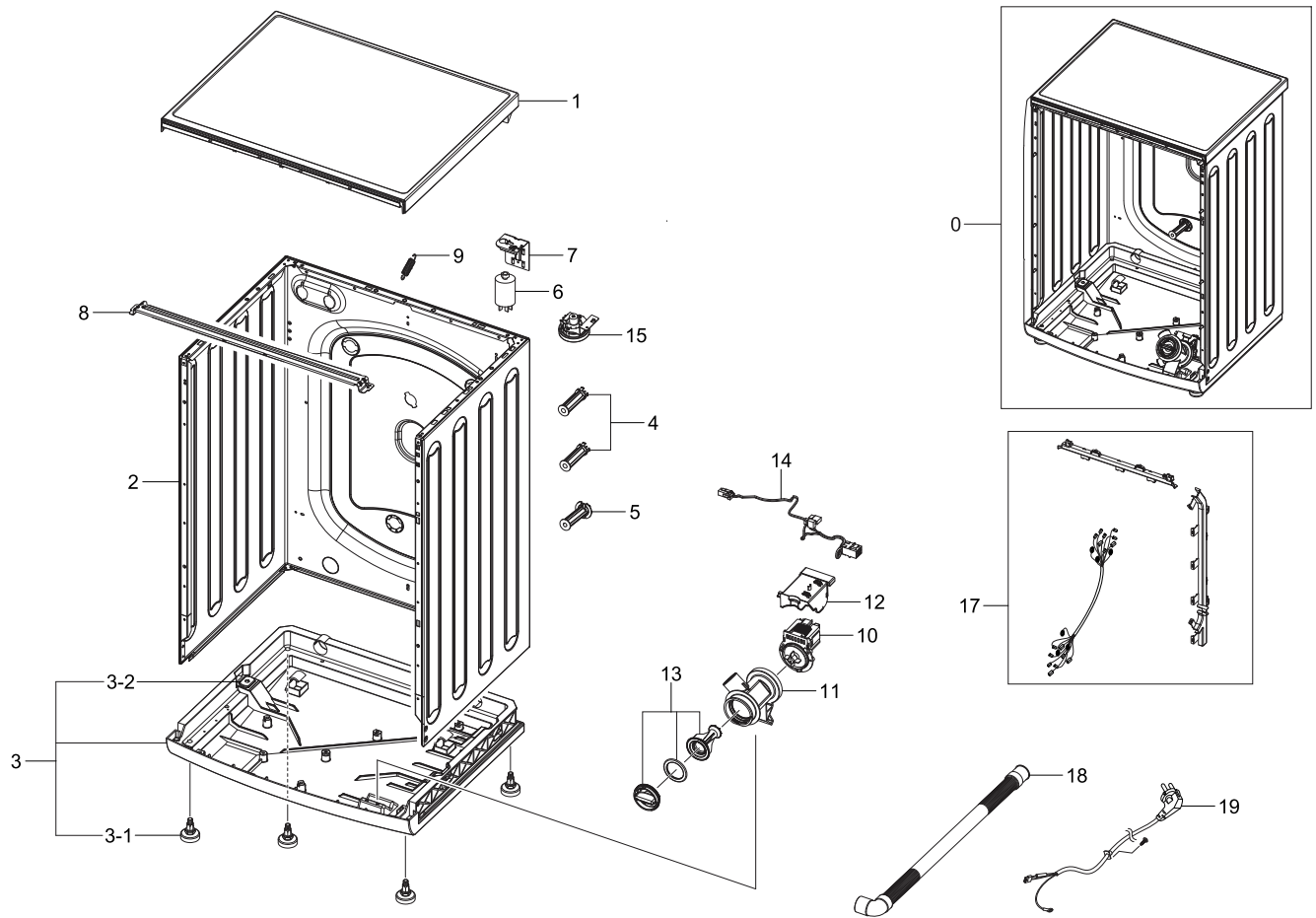


Exploded Views and Parts List

No.	Parent	Lvl.	Loc.	Material Code	Description & Specification	SNA	Qty.
10	DC90-04504A	2	G0007	DC97-16232A	ASSY HOSE WATER-708567; 1141817,AMICA-PJT	SA	1
11	DC90-04504A	2	W0626	DC67-00501A	HOSE-HANGER; 8010550,PP,GRY	SA	1

1.1. Frame & Cover Parts

Exploded View



Parts List

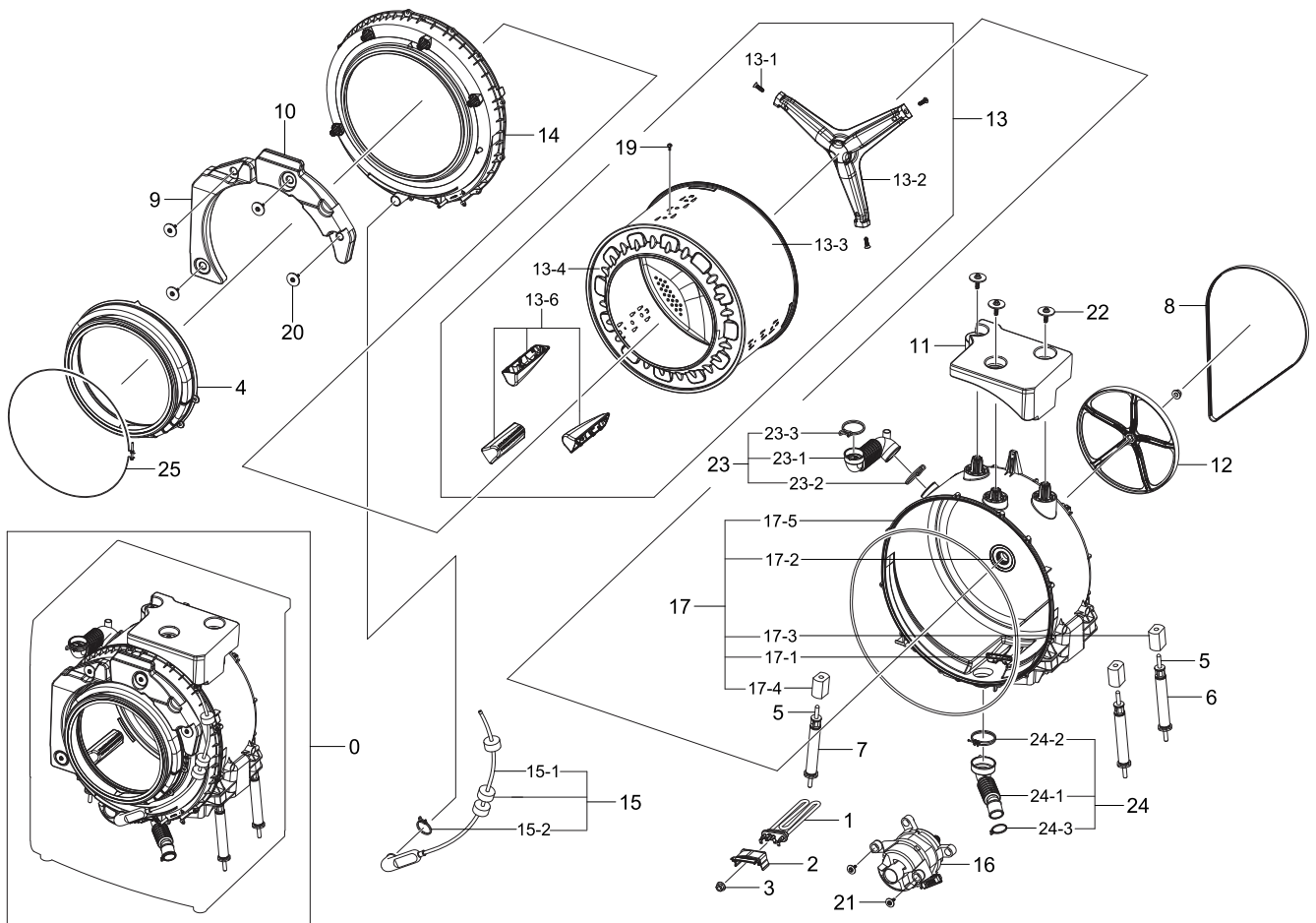
No.	Parent	Lvl.	Loc.	Material Code	Description & Specification	SNA	Qty.
1	DC90-04504A	2	W0183	DC97-16299A	ASSY COVER TOP; S-AM,AWSE 12DA,D394.9/ W5	SA	1
2	WF0502NUWG/XEC 1		W0730	DC97-16256A	ASSY FRAME-9021503; 1142420,AMICA-PJT,902	SA	1
3	DC90-04134A	2	W0487	DC90-03780B	ASSY BASE; S-AM,WF0502NXW	SA	1
3-1	DC90-03780B	3	M0057	DC61-02841A	LEG; SAM-PJT,8018385,D34.5	SA	4
3-2	DC90-03780B	3	G0014	DC66-00622A	DAMPER-RUBBER(A); SAM-PJT,CR RUBBER,T21,W	SA	3
4	DC90-04504A	2	G0004	DC61-02844A	FIXER-TUB(U); SAM-PJT,PP,T2,L52,OD27/25,8	SA	2
5	DC90-04504A	2	G0005	DC61-02845A	FIXER-TUB(L); SAM-PJT,PP,T2,L61,OD35/25,8	SA	1
6	DC90-04504A	2	W0229	DC29-00005D	FILTER-EMI; FA-2151T-4 / RDFC-2718,1.2mm	SA	1
7	DC90-04504A	2	W0227	DC61-02808A	BRACKET-FILTER EMI; WF0602NXW,GI-SGCC,T0.	SA	1

Exploded Views and Parts List

No.	Parent	Lvl.	Loc.	Material Code	Description & Specification	SNA	Qty.
8	DC90-04504A	2	G0006	DC63-01242A	FRAME-PLATE; 8017921,W580/T1.0,NTR	SA	1
9	DC90-04504A	2	W0630	DC61-02862A	SPRING ETC-HANGER; SAM-PJT,HSWR,OD14,L46.	SA	1
10	DC90-04134A	2	M0022	DC31-00030A	PUMP-DRAIN; B20-6,220V,50HZ,-,HANYU	SA	1
11	DC90-04134A	2	W0479	DC61-02777A	CASE-PUMP; WF-A602NBS,PP,T3.0,OD80,L108,N	SA	1
12	DC90-04134A	2	W0213	DC63-00830A	COVER-PUMP; COVER-PUMP,PP,T2.1,W60.5,L75,	SA	1
13	DC90-04134A	2	G0050	DC97-14278A	ASSY FILTER; HEBA-PJT,ASSY-FILTER,PP+EPDM	SA	1
14	DC90-04504A	2	W0224	DC93-00016D	ASSY WIRE HARNESS-PUMP; S-AM,PUMP WIRE	SA	1
15	DC90-04504A	2	W0607	DC96-01703A	ASSY SENSOR PRESSURE; AEGIS-PJT,-,-,DRUM	SA	1
17	DC93-00176A	3	W0079	DC93-00175A	ASSY M. WIRE HARNESS; S-AM PJT,WF A502NGS	SNA	1
18	DC90-04504A	2	W0604	DC97-16240A	ASSY HOSE DRAIN(O); SAM-PJT,709905	SA	1
19	DC90-04504A	2	W0081	DC96-00146E	ASSY POWER CORD; UCP2,250V/16A,H05VV-F 1.	SA	1

1.2. Assy Tub & Drum

Exploded View



Parts List

No.	Parent	Lvl.	Loc.	Material Code	Description & Specification	SNA	Qty.
0	WF0502NUWG/XEC1	1	W0502	DC90-04134A	ASSY TUB & DRUM; S-AM PJT,WF0502NXWG	SNA	1
1	DC90-04134A	2	W0237	DC47-00034A	HEATER-WASH; S-AM,SUS316L,2000,8.69,230V,	SA	1
2	DC90-04134A	2	W0235	DC63-01224A	COVER-HEATER; S-AM,ABS,T2.5,W91.4,L46.3,V	SA	1
3	DC97-16345B	3	G0013	6021-001460	NUT-ETC; OD25.5/M12,ZPC(WHT),SWRCH,801061	SA	1
4	DC90-04134A	2	W0234	DC64-02402A	DOOR-DIAPHRAGM; S-AM,EPDM,T2.5,H78,w396,1	SA	1
5	DC90-04134A	2	W0212	DC66-00626A	DAMPER-PIN; 8037285,SAM-PJT,STEEL+PP+RUBB	SA	3
6	DC90-04134A	2	W0211	DC66-00627A	DAMPER-SHOCK(R); 8029508, SAM-PJT,STEEL+P	SA	2
7	DC90-04134A	2	W0210	DC66-00628A	DAMPER-SHOCK(L); 8029504,STEEL+PP+RUBBER,	SA	1

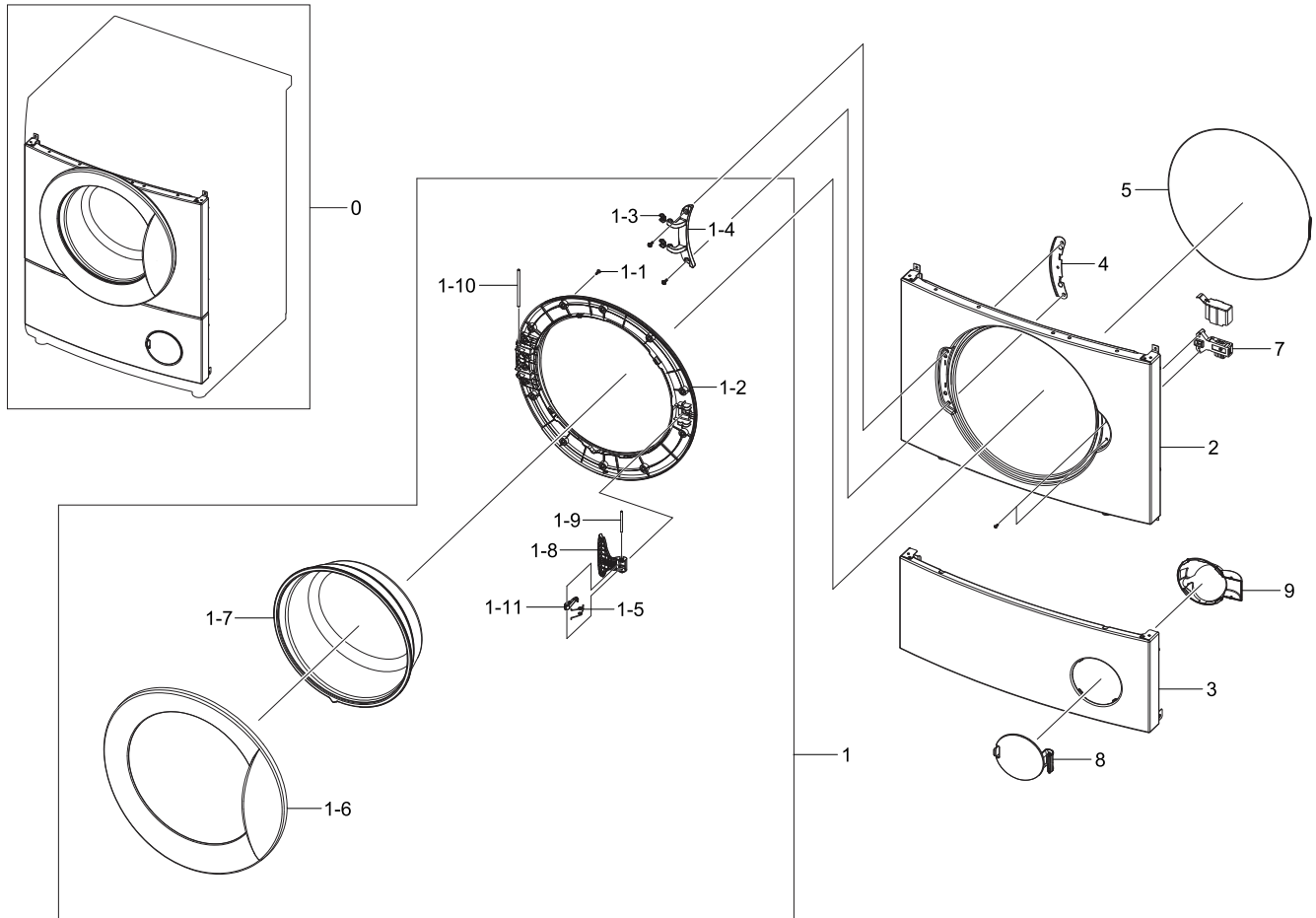
Exploded Views and Parts List

No.	Parent	Lvl.	Loc.	Material Code	Description & Specification	SNA	Qty.
8	DC90-04134A	2	W0209	DC66-00629A	BELT-TIMING GEAR; 731737	SNA	1
9	DC90-04134A	2	W0233	DC67-00494B	WEIGHT-BALANCER(L); WF0602NXW/XEO,CONCRET	SA	1
10	DC90-04134A	2	W0232	DC67-00495B	WEIGHT-BALANCER(R); WF0602NXW/XEO,CONCRET	SA	1
11	DC90-04134A	2	W0231	DC67-00496B	WEIGHT-BALANCER(U); WF0602NXW/XEO,CONCRET	SA	1
12	DC90-04134A	2	W0434	DC93-00189A	PULLEY MOTOR; SAM-PJT/8017632	SA	1
13	DC90-04134A	2	W0410	DC97-16177A	ASSY DRUM-SUB,9036391; AMICA-PJT,9036391,	SA	1
13-1	DC97-16177A	3	G0049	DC60-00086A	BOLT-HEX; SAM-PJT,STS430,L24	SNA	3
13-2	DC97-16177A	3	W0255	DC60-00085A	FLANGE-SHAFT; ALDC12,8033708, SAM-PJT	SNA	1
13-3	DC97-16176A	4		DC66-00633A	DRUM-WRAPPER; WF0500NXWG,STAINLESS-STS430	SNA	1
13-4	DC97-16176A	4	W0748	DC66-00617A	DRUM-FRONT; 9010470,STAINLESS-STS430,OD50	SNA	1
13-6	DC97-16177A	3	W0619	DC66-00619A	DRUM-LIFTER; 8010429,PP,L178.5,T3,W48.2	SA	3
14	DC90-04134A	2	W0410	DC97-16229A	ASSY TUB-FRONT,9010425; 1142420,SAM-PJT,9	SA	1
15	DC90-04134A	2	W0418	DC97-16266B	ASSY-PRESSURE TUB; S-AM PJT,WF0602,EPDM	SA	1
15-1	DC97-16266B	3	W0745	DC67-00511B	HOSE-PRESSURE; WF0602,EPDM,ID4.5,OD8,T1.7	SA	1
15-2	DC90-04504A	2	F0100	DC65-60118J	CLIP-RING; HSWR,WHT,PI2.0/ID23	SA	1
16	DC90-04134A	2	W0086	DC31-00118A	MOTOR UNIVERSAL-DRUM; 20584520,1200,220-2	SA	1
17	DC90-04134A	2	W0422	DC97-16344A	ASSY TUB-SUB; S-AM PJT,WF0602NXW/XEO	SNA	1
17-1	DC97-16344A	3	W0230	DC61-02810A	BRACKET-HEATER; WF0602NXW,STAINLESS-STS43	SA	1
17-2	DC97-16344A	3	W0148	DC62-00306A	SEAL-OIL; 8010339	SA	1
17-3	DC90-03780B	3	G0014	DC66-00622A	DAMPER-RUBBER(A); SAM-PJT,CR RUBBER,T21,W	SA	3
17-4	DC97-16344A	3	P0010	DC66-00624A	DAMPER-RUBBER(C); SAM-PJT,CR RUBBER,T21,W	SA	1
17-5	DC97-16344A	3	G0029	DC97-16223A	ASSY SEMI TUB BACK-732038; 1142420,S-AM-P	SA	1
19	DC97-16345B	3	F0125	6002-001506	SCREW-TAPPING; BH,+,NO,2,M4,L13,ZPC(WHT),	SA	5
20	DC97-16345B	3	F0126	6002-001507	SCREW-TAPPING; HWH,-,NO,2,M6,L25,ZPC(WHT)	SA	11
21	DC97-16345B	3	F0133	6002-001509	SCREW-TAPPING; HWH,-,WP,2,M6,L25,ZPC(WHT)	SA	2

No.	Parent	Lvl.	Loc.	Material Code	Description & Specification	SNA	Qty.
22	DC97-16345B	3	G0049	DC60-00088A	BOLT-HEX; 8022017,SAM-PJT,S13 /FeZn5,paad	SA	4
23	DC90-04504A	2	P0015	DC97-16237B	ASSY HOSE DRAWER TUB; S-AM,Wf0502,BLACK	SA	1
23-1	DC97-16238A	3	W0151	DC67-00514A	HOSE-DRAWER; 8017200,EPDM,BLK	SA	2
23-2	DC97-16237B	3	F0101	DC72-00085B	CLIP-RING; S-AM PJT,HSWR,OD3.0,NTR	SA	1
23-3	DC97-16237B	3	F0102	DC72-00086B	CLIP-RING; S-AM PJT,HSWR,OD3.0,60.7,NTR	SA	1
24	DC90-04504A	2	G0008	DC97-16239A	ASSY HOSE-FILTER TUB,705814; 1141817,AMIC	SA	1
24-1	DC97-16239A	3	W0625	DC67-00515A	HOSE-FILTER TUB; 8012392,SAM-PJT,EPDM,ID3	SA	1
24-2	DC97-16239A	3	F0104	DC72-00089A	CLIP-RING; 8013908,HSWR,T3	SA	1
24-3	DC97-16239A	3	F0103	DC72-00088A	CLIP-RING; 8019252/SAM-PJT,HSWR,T2.0,L33	SA	1
25	DC90-04134A	2	M0038	6049-001182	ASSY CLAMP DIAPHRAGM; S-AM PJT,8010380,wi	SA	1

1.3. Assy Frame Front & Door

Exploded View



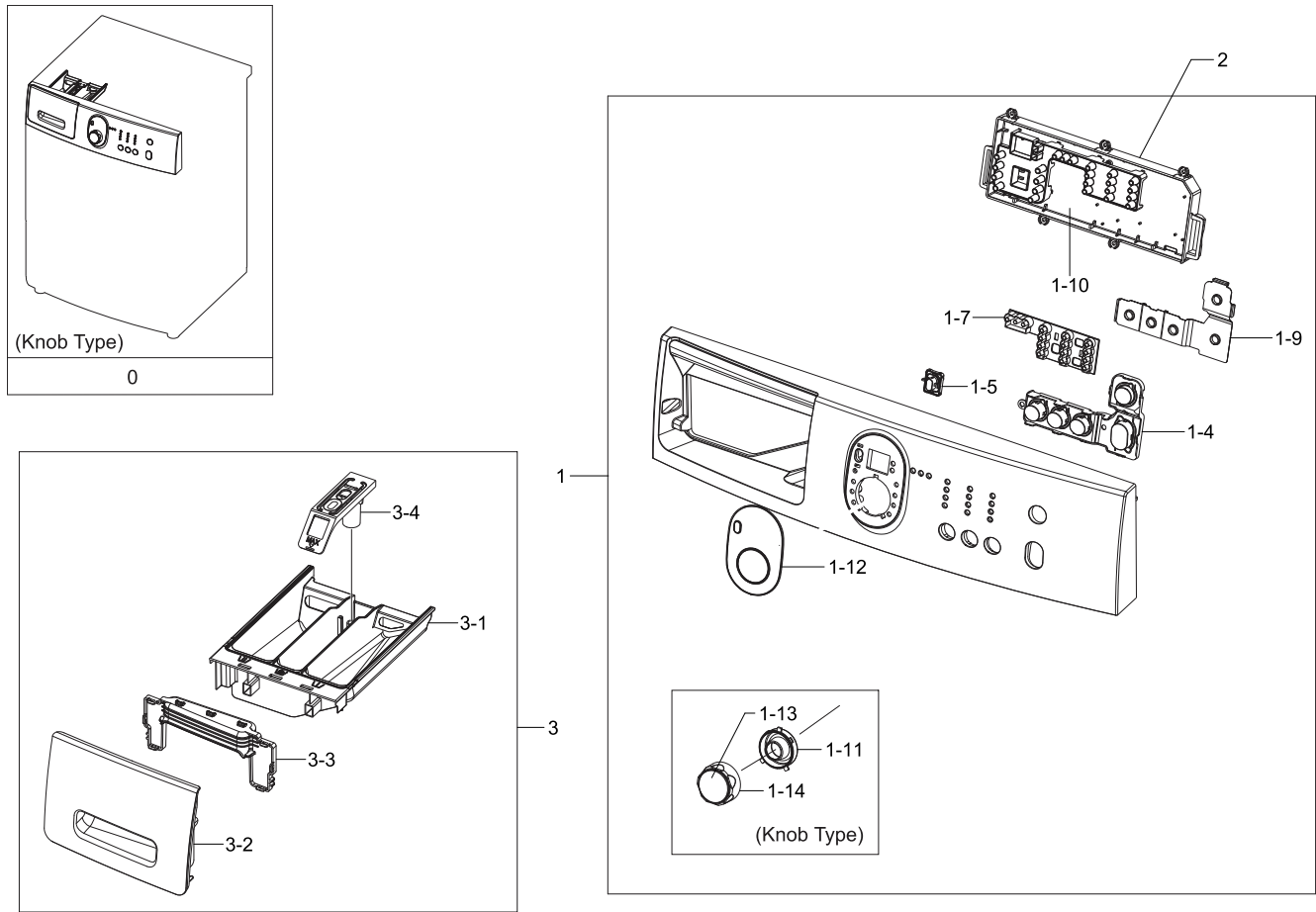
Parts List

No.	Parent	Lvl.	Loc.	Material Code	Description & Specification	SNA	Qty.
1	DC90-04504A	2	W0459	DC97-16135A	ASSY DOOR; S-AM PJT,WF0602NXW,OD450,WHITE	SA	1
1-1	DC97-16135A	3	F0124	6002-001500	SCREW-TAPPING; BH,+,NO,1,M3.6,L13,ZPC(WHT	SA	14
1-2	DC97-16135A	3	W0439	DC61-02802A	HOLDER-GLASS; WF0602NXW,PP,T2.8,W449,L449	SA	1
1-3	DC97-16135A	3	W0220	DC61-02803A	GUIDE-HINGE; WF0602NXW,POM,T1.5,W14.5,L12	SA	2
1-4	DC97-16135A	3	W0219	DC61-02812A	HINGE-DOOR; WF0602NXW,ALDC,T8.8,W155.5,L4	SA	1
1-5	DC97-16135A	3	W0142	DC61-02858A	SPRING ETC-LEVER; SAM-PJT,HSWR,T1.4	SA	1
1-6	DC97-16135A	3	W0440	DC63-01225A	COVER-DOOR; WF-A602NBS,ABS,T2.8,W450,L450	SA	1
1-7	DC97-16135A	3	F0129	DC64-02428A	DOOR GLASS; 8030889 / SAM-PJT,NON-HeatTre	SA	1

No.	Parent	Lvl.	Loc.	Material Code	Description & Specification	SNA	Qty.
1-8	DC97-16135A	3	W0447	DC64-02430A	HANDLE-DOOR; 8030961/SAM-PJT,ABS,T2.5,L66	SA	1
1-9	DC97-16135A	3	W0217	DC64-02520A	HANDLE-PIN; S-AM,STS,OD 5,L95,NTR,FUNCTIO	SA	1
1-10	DC97-16135A	3	W0217	DC64-02520A	HANDLE-PIN; S-AM,STS,OD 5,L95,NTR,FUNCTIO	SA	1
1-11	DC97-16135A	3	F0130	DC66-00615A	LEVER DOOR; 8030962,POM	SA	1
2	WF0502NUWG/XEC	1	W0415	DC97-16254A	ASSY FRAME FRONT-9005391; 1142420,SAM-PJT	SA	1
3	WF0502NUWG/XEC	1	F0131	DC97-16250A	ASSY PAINT FRAME-L; SAM-PJT,9005392,COLAM	SNA	1
4	DC90-04504A	2	W0226	DC61-02809A	BRACKET-HINGE; WF0602NXW,GI-SGCC,T0.6,W39	SA	1
5	DC90-04504A	2	W0404	DC39-00042A	WIRE-DIAPHRAGM; 8010379/SAM-PJT,NTR,15g	SA	1
7	DC90-04504A	2	W0225	DC64-01538C	DOOR-LOCK S/W; ZV-446L9,NYLON,T19.5,W95.3	SA	1
8	DC90-04504A	2	W0516	DC63-01213A	COVER-FILTER; WF-A602NBS,ABS,T3.0,OD109,L	SA	1
9	DC90-04504A	2	W0228	DC61-02772A	GUIDE-FILTER; WF-A602NBS,ABS,T2.0,H110,L1	SA	1

1.4. Panel Control & Drawer

Exploded View



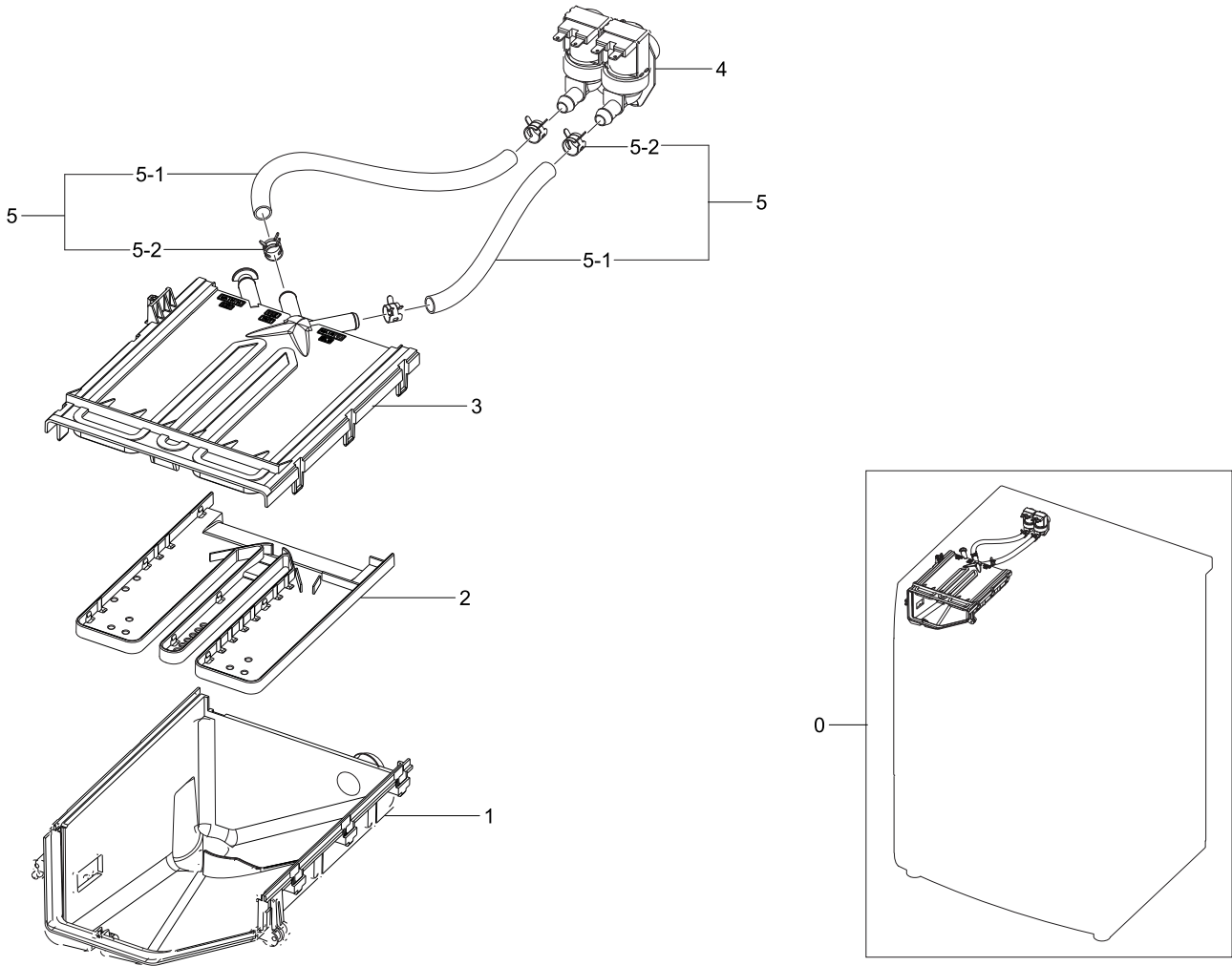
Parts List

No.	Parent	Lvl.	Loc.	Material Code	Description & Specification	SNA	Qty.
1	DC90-04504A	2	W0478	DC97-16352H	ASSY PANEL CONTROL; S-AM,WF0502NUWG/XEC,G	SA	1
1-4	DC97-16352H	3	W0196	DC64-02395A	BUTTON-PUSH(F); S-AM,ABS,NTR,FUNCTION	SA	1
1-5	DC97-16352H	3	G0017	DC64-02396A	BUTTON-PUSH(D); S-AMICA,ABS,D26,NTR	SA	1
1-7	DC97-16352H	3	W0188	DC64-02399A	DECORATION-LED; S-AM,PMMA,T2.0,TRP	SA	1
1-9	DC97-16352H	3	W0221	DC64-02485A	BUTTON-RUBBER; S-AM / WF0602,SILICON,NTR,	SA	1
1-10	DC90-04504A	2	W0469	DC92-00366A	ASSY PCB SUB; AMICA,WF0502,5KG,JOE,1200RP	SA	1
1-11	DC97-16352H	3	G0011	DC61-02813A	BRACKET-ENCODER; S-AM,HIPS,T2.0,W48,L18,S	SNA	1
1-12	DC97-16352H	3		DC64-02476A	INLAY-ENCODER; WF0602NXW,PC,T0.5,W69.2,L1	SNA	1

No.	Parent	Lvl.	Loc.	Material Code	Description & Specification	SNA	Qty.
1-13	DC90-04504A	2	G0044	DC64-02400A	DECORATION-ENCODER(I); S-AM,ABS,T2.0,W37.	SA	1
1-14	DC90-04504A	2	W0193	DC64-02398A	KNOB-ENCODER; S-AM,ABS,T2.0,W45,L45	SA	1
2	DC90-04504A	2	W0470	DC92-00365A	ASSY PCB MAIN; AMICA,WF A502NGS,5KG,POLAN	SA	1
3	DC90-04504A	2	W0216	DC97-16137A	ASSY DRAWER; S-AM PJT,WF0602NXW,PP+ABS,NO	SA	1
3-1	DC97-16137A	3	W0156	DC61-02804A	BODY-DRAWER; WF0602NXW,PP,T1.8,L213,W164,	SA	1
3-2	DC97-16137A	3	W0112	DC64-02392A	PANEL-DRAWER; WF0602NXW,ABS,T2.8,W195.6,L	SA	1
3-3	DC97-16137A	3	W0218	DC64-02393A	HANDLE-DRAWER; WF0602NXW,ABS,T2.6,W172,L7	SA	1
3-4	DC97-16137A	3	W0215	DC67-00493A	CAP-RINSE; WF0602NXW,PP,T2.0,W33.3,L116.3	SA	1

1.5. Assy Housing Drawer

Exploded View

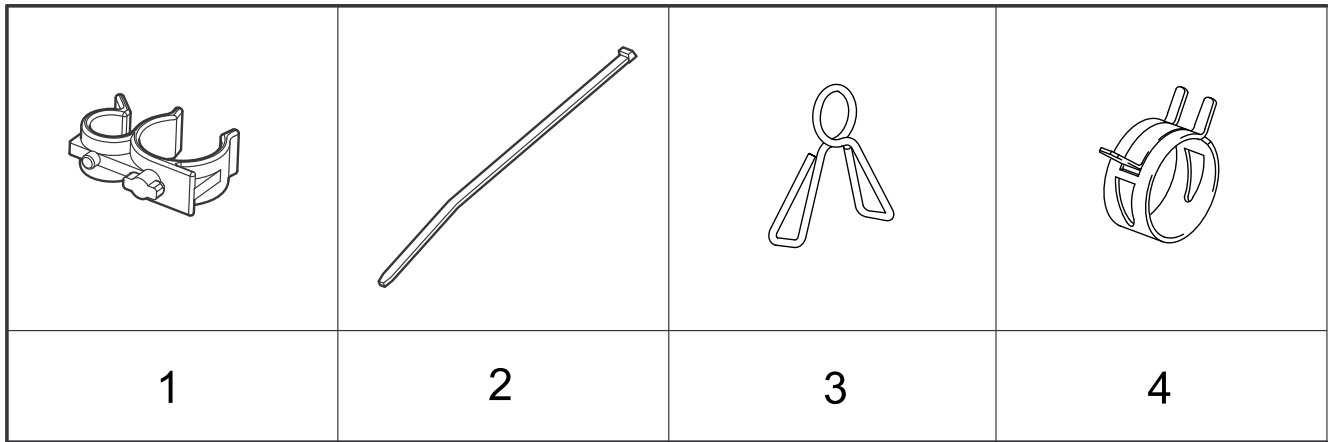


Parts List

No.	Parent	Lvl.	Loc.	Material Code	Description & Specification	SNA	Qty.
0	DC90-04504A	2	W0163	DC97-16136A	ASSY HOUSING DRAWER; S-AM PJT,WF0602NXW,P	SA	1
1	DC97-16136A	3	W0372	DC61-02805A	HOUSING-DRAWER(L); WF0602NXW,PP,T1.8,W194	SA	1
2	DC97-16136A	3	W0371	DC61-02806A	HOUSING-DRAWER(M); WF0602NXW,PP,T1.8,W146	SA	1
3	DC97-16136A	3	W0370	DC61-02807A	HOUSING-DRAWER(U); WF0602NXW,PP,T1.8,W184	SA	1
4	DC90-04504A	2	W0078	DC62-30312L	VALVE-WATER; S-Am PJT,NYLON #6,mm,1~8 Kg/	SA	1
5	DC90-04504A	2	P0031	DC97-16238A	ASSY HOSE DRAWER-705828; 1141817,AMICA-PJ	SA	1
5-1	DC97-16238A	3	W0151	DC67-00514A	HOSE-DRAWER; 8017200,EPDM,BLK	SA	2
5-2	DC90-04504A	2	F0100	DC65-60118J	CLIP-RING; HSWR,WHT,PI2.0/ID23	SA	1

1.6. Small Parts

Exploded View



Parts List

No.	Parent	Lvl.	Loc.	Material Code	Description & Specification	SNA	Qty.
1	DC90-04504A	2	W0616	DC61-00118A	CLAMPER HOSE-FIX; P1291,NYLON66,ID27,OD30	SA	1
2	DC90-04504A	2	P0016	DC64-02427A	CABLE TIE; 8015046/SAM-PJT,T1.0,L100,NTR,	SA	1
3	DC90-04504A	2	M0005	DC61-70029B	SPRING-CLIP; SEW-6HW111,HSWR67(TS),CD1.2,	SA	1
4	DC90-04504A	2	W0615	DC61-00158A	CLAMPER HOSE; SW65ASP,SK5,ID23,T0.8/YEL	SA	1