



ELECTRONICS

272, Oseon-Dong, Kwangsan-Gu,
Kwangju-City, Korea, 506-723
TEL : 82-62-950-6896, 6193
FAX : 82-62-950-6829

– This Service Manual is a property of Samsung Electronics Co., Ltd.
Any unauthorized use of Manual can be punished under applicable
International and/or domestic law. –

© Samsung Electronics Co., Ltd.
Refrigerator Division 2005.09
Printed in Korea
Code No : DA68-01292A REV(0.1)



FREEZER/REFRIGERATOR

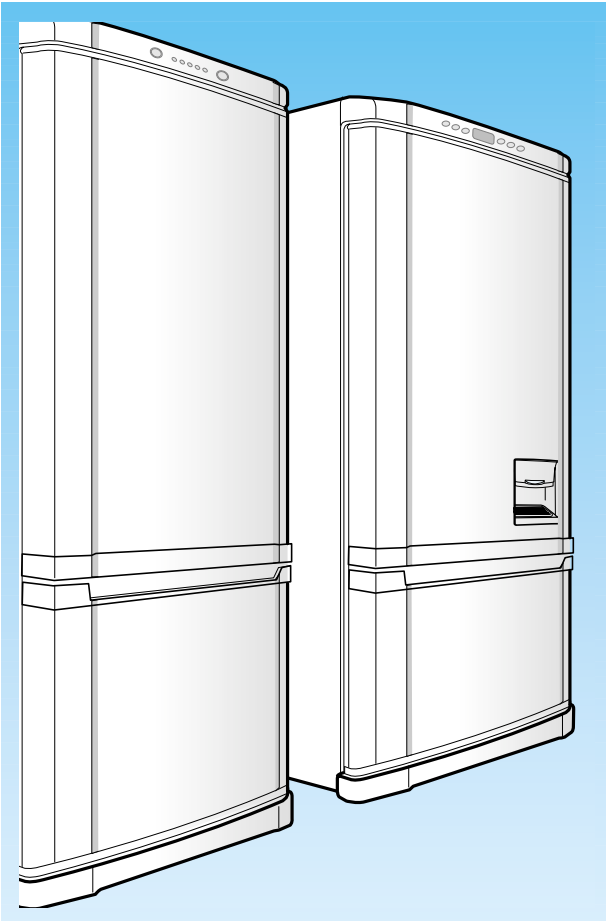
Model : RL39WB
RL36EB/RL39EB
RL36SB/RL39SB

For the latest parts information, Please access to our service web site (<http://www.e4buyer.com/refrigerator>)



SERVICE Manual

FREEZER / REFRIGERATOR

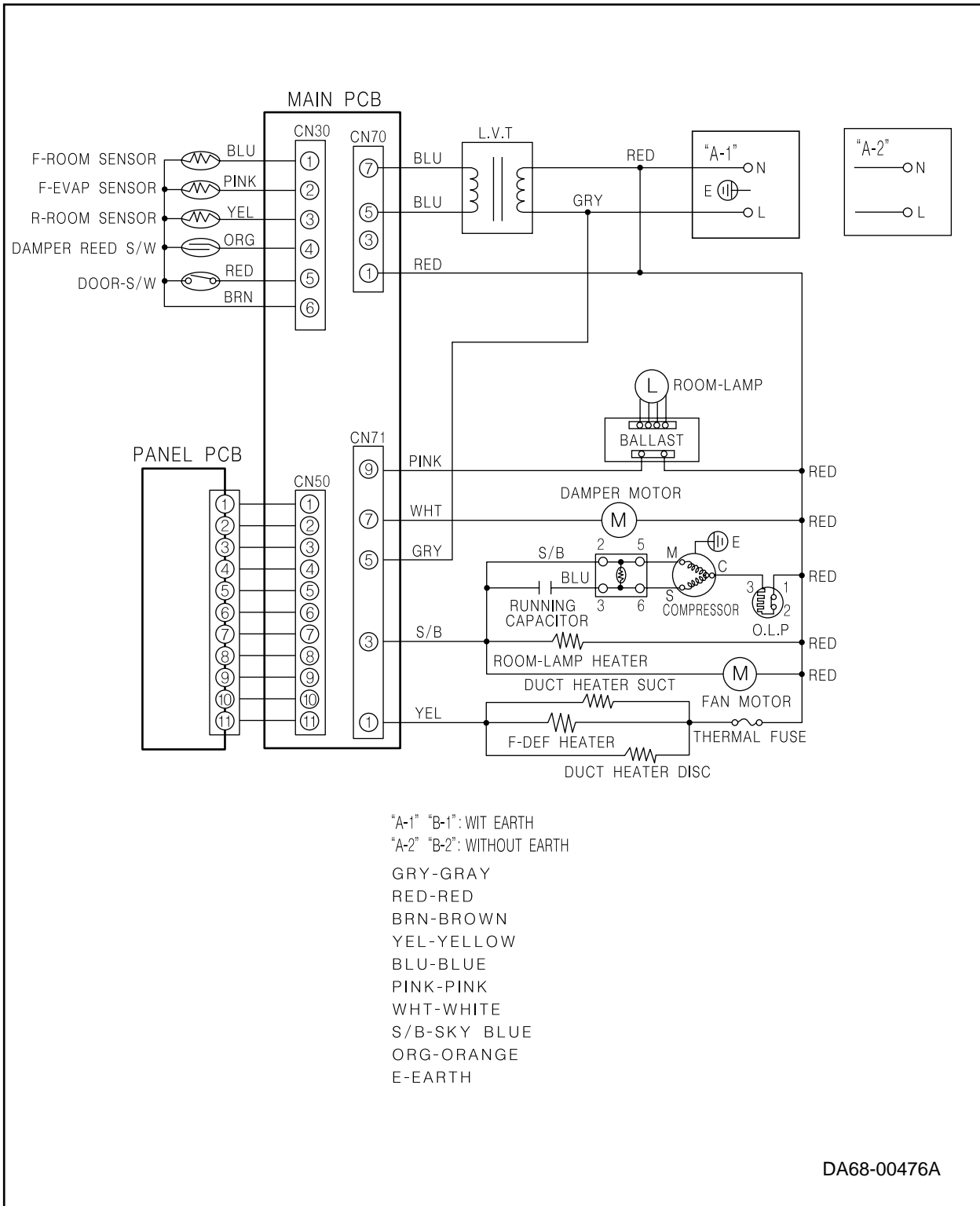


CONTENTS

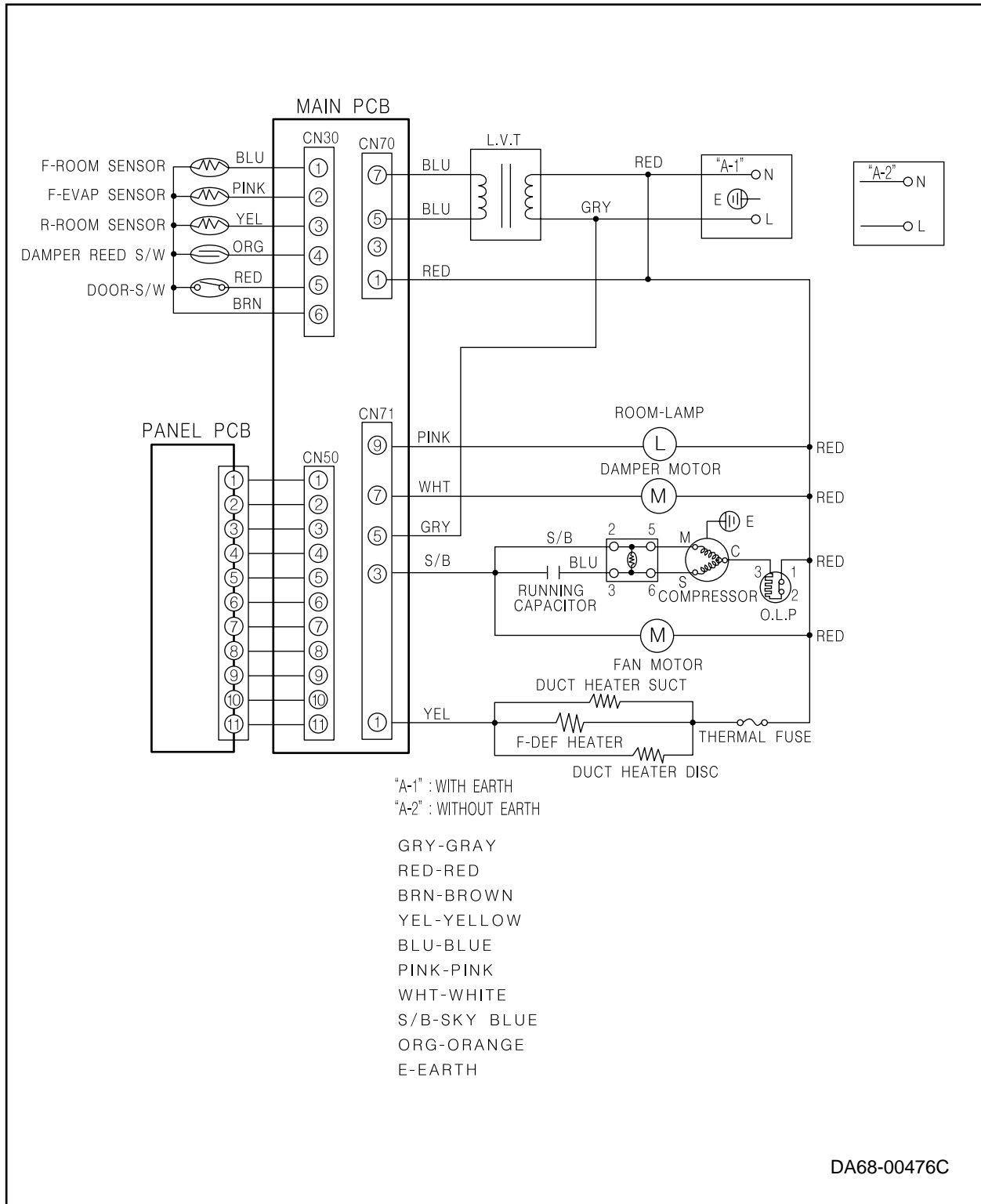
- 1. Circuit Diagram 1
- 2. Exploded View 4
- 3. Disassembly & Assembly 12
 - 3-1.Replacement of refrigerator fluorescent lamp 12
 - 3-2.Replacement of refrigerator fluorescent lamp 12
 - 3-3.Disassembly of the cooling cycle unit in the freezer 13
 - 3-4.Assembly of mechanic compartment in the refrigerator..... 15
 - 3-5.Electric box assembly 16
 - 3-6.Disassembly of Top Table 17

1. Circuit Diagram

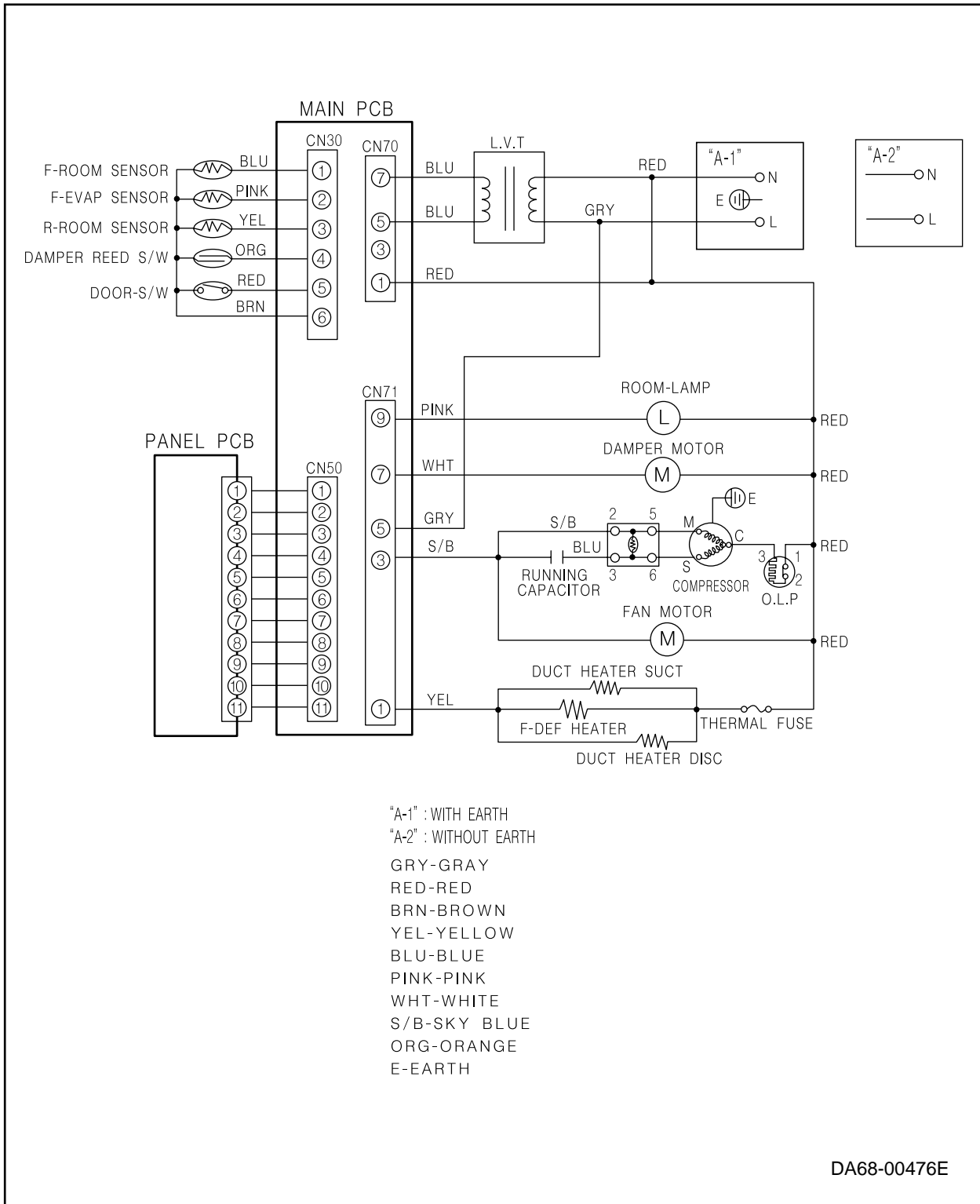
1-1. ELECTRONIC MODEL for Fluorescent Lamp Option



1-2. ELECTRONIC MODEL for Incandescent Lamp Option

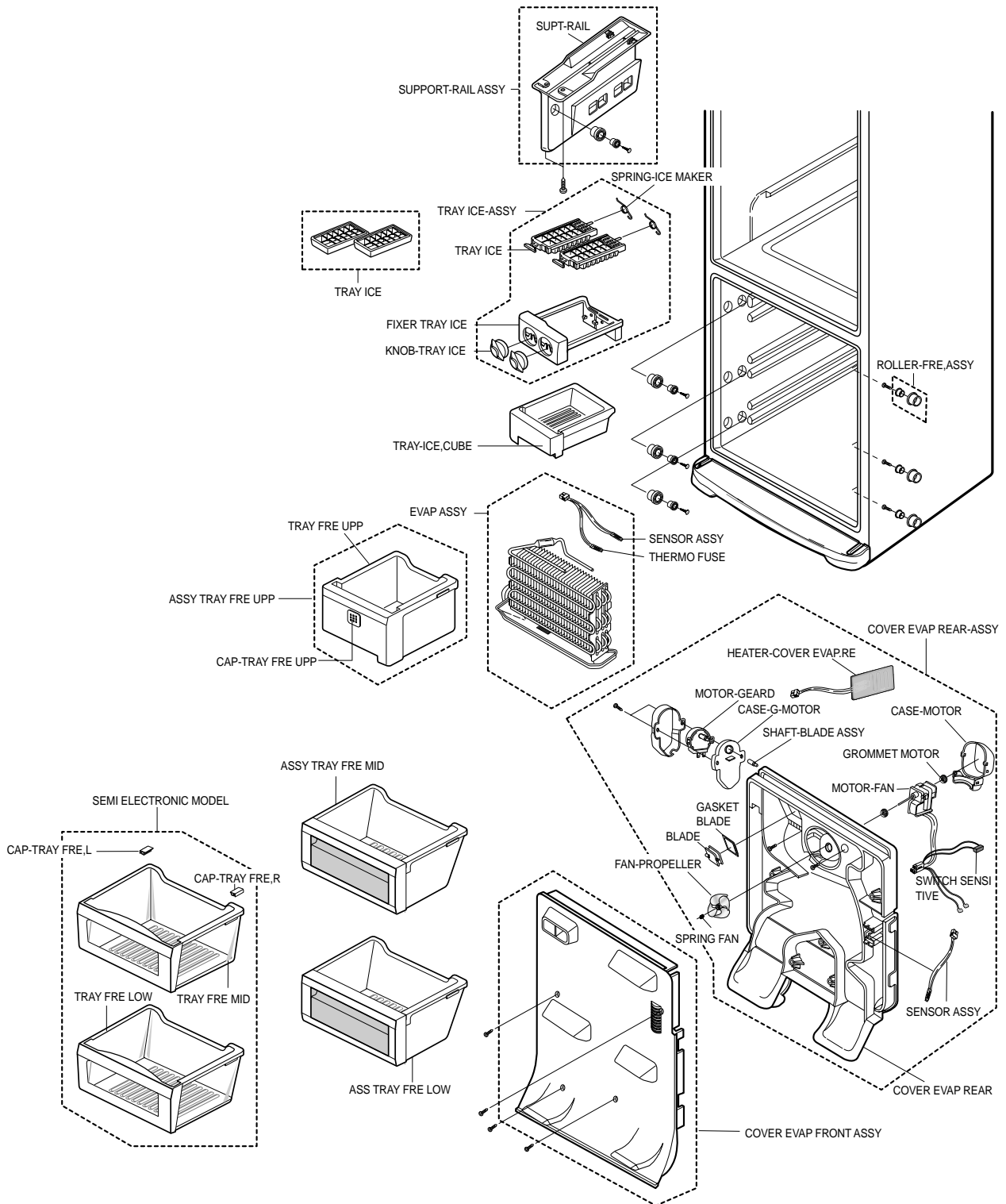


1-3. SEMI-ELECTRONIC MODEL



2. Exploded View

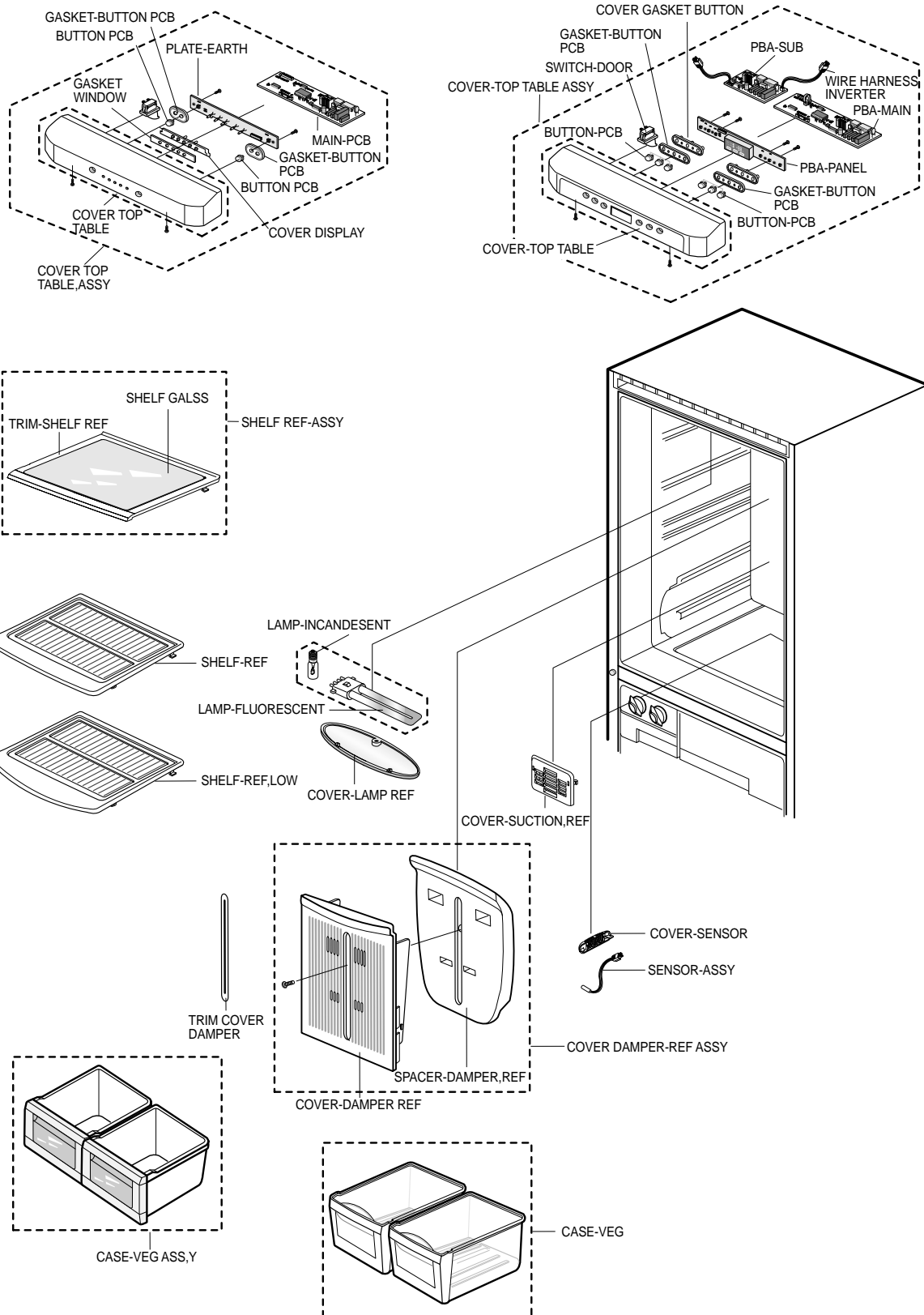
2-1. Freezer Compartment



■ Freezer List

NO	CODE-NO	ITEM	SPECIFICATION	OPTION		
				RL36/39E	RL39W	RL36/39S
1	DA63-00395C	COVER EVAP-FRONT,ASSY	PP,T2.0,TWIST	●	●	
	DA63-00395D		PP,T2.0,SEMI			●
	DA63-00395E		PP(NTR),T2.0,TWIST	●	●	
	DA63-00395F		PP(NTR),T2.0,SEMI			●
2	DA66-00093A	ROLLER-FRE,ASSY	POM,SR-35	●	●	●
3	DA97-01392B	ASSY TRAY-FRE,LOW	PREMIUM,COOL WHITE	●	●	
4	DA97-01457B	ASSY TRAY-FRE,LOW	SEMI,COOL WHITE			●
5	DA97-01393B	ASSY TRAY-FRE,MID	PREMIUM,COOL WHITE	●	●	
6	DA97-01456B	ASSY TRAY-FRE,MID	SEMI,COOL WHITE			●
7	DA97-01394B	ASSY TRAY-FRE,UPP	HIPS,COOL WHITE	●	●	
8	DA97-01401B	ASSY TRAY-ICE	PREMIUM,COOL WHITE	●	●	
9	DA97-01434B	ASSY-SUPT RAIL	PREMIUM,COOL WHITE	●	●	
	DA97-01434C		PREMIUM,COOL WHITE	●	●	
10	DA63-01708B	TRAY ICE CUBE	HIPS,COOL WHITE	●	●	
11	DA96-00024D	ASSY-EVAP	127V,310W	●	●	●
	DA96-00024E		240V,310W	●	●	●
	DA96-00024F		220V,310W	●	●	●
12	DA32-10105Q	SENSOR-ASSY	502AT,-10~35.5V	●	●	●
13	DA47-10162F	THERMO FUSE	250V,10A	●	●	●
14	DA63-00396R	COVER EVAP-REAR,ASSY	230~240V/50Hz	●	●	●
	DA63-00396S		220V/50Hz	●	●	●
	DA97-00150A		127V/60Hz	●	●	●
15	DA31-00002P	MOTOR FAN	230~240V/50Hz	●	●	●
	DA31-00002U		220V/50Hz	●	●	●
	DA31-00002X		127V/60Hz	●	●	●
16	DA31-00019A	FAN-FROPELLER	NTR	●	●	●
17	DA31-00026A	BLADE	PC,NTR,SR-32,35	●	●	●
18	DA31-10107B	MOTOR GEAR	M2BC59ZR12,110V	●	●	●
	DA31-10107C		M2LA49Z,220~240V	●	●	●
19	DA34-10125B	SWITCH SENSITIVE	5V,BLACK	●	●	●
20	DA47-00056A	HEATER-COVER EVAP,RE	240V,7W	●	●	●
	DA47-00056B		220V,7W	●	●	●
	DA47-00056C		127V,7W	●	●	●
21	DA61-00081A	CASE-MOTOR	PP,NTR	●	●	●
22	DA61-00117A	CASE-G-MOTOR	PP,NTR	●	●	●
23	DA61-20128A	SPRING ETC-FAN	STS27,PI7.8,ID1.0	●	●	●
24	DA63-00237A	COVER-EVAP REAR	PP	●	●	●
25	DA63-00359A	GASKET-BLADE	SILICON,NTR	●	●	●
26	DA66-00095A	SHAFT-BLADE ASSY	POM	●	●	●
27	DA63-00771A	GROMMET-FAN MOTOR	NBR,BLACK	●	●	●
28	DA70-00222B	PLATE-COVER RE	SAZCC,T0.4	●	●	●

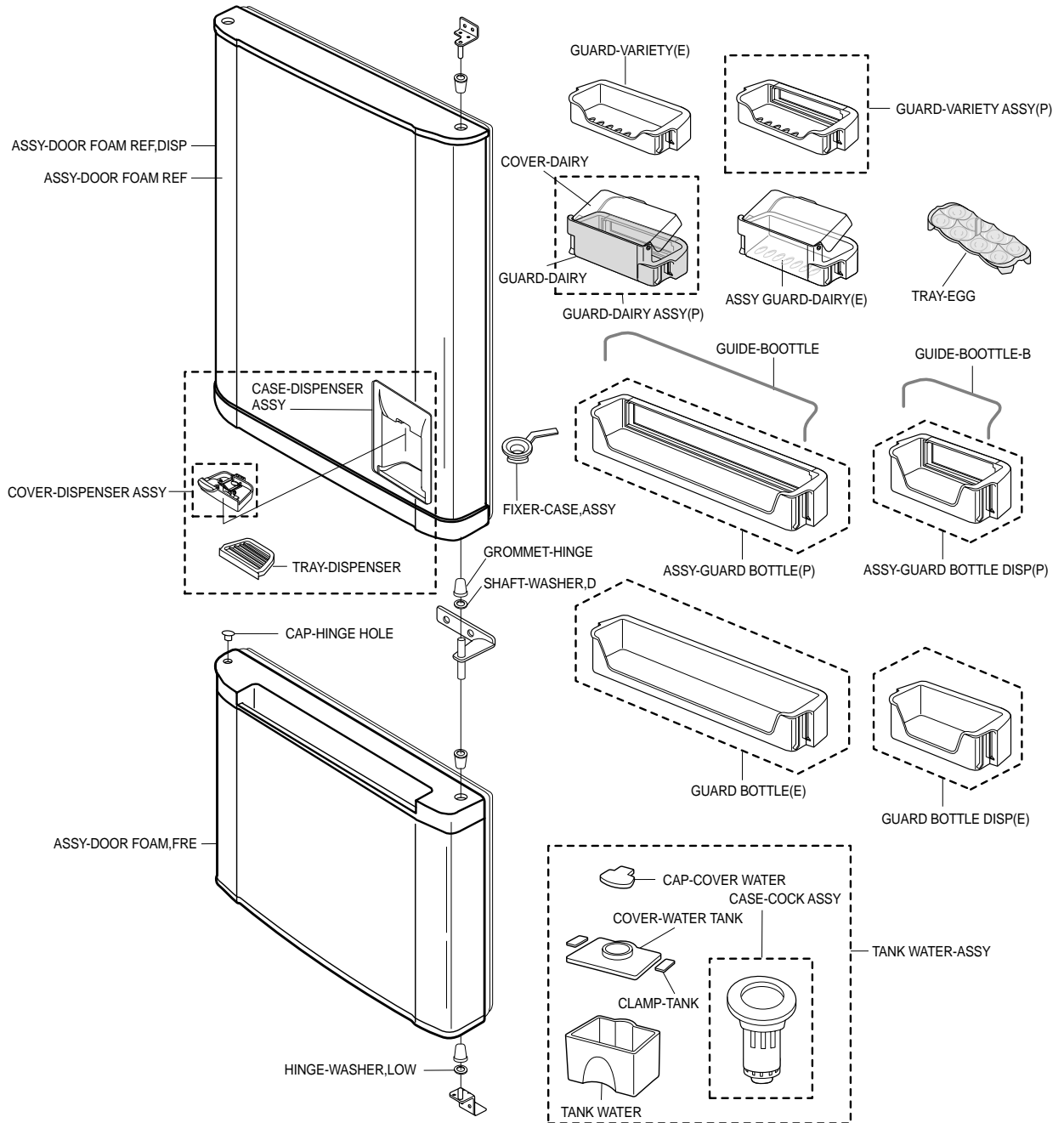
2-2. Refrigerator Compartment



■ Refrigerator List

NO	CODE-NO	ITEM	SPECIFICATION	OPTION		
				RL36/39E	RL39W	RL36/39S
1	DA97-01389B	ASSY COVER DAMPER-REF	COOL WHITE	●	●	●
2	DA64-00951B	TRIM-COVER DAMPER	HIPS,COOL WHITE	●	●	●
3	DA97-01387B	ASSY CASE VEG	PREMIUM,COOL WHITE	●	●	
4	DA61-01314A	CASE VEG	GPPS(HF-2660),NTR			●
5	DA97-01409B	ASSY SHELF REF	GLASS,3-PC,COOL WHITE	●	●	
6	DA67-00207B	SHELF REF	GPPS(HF-2660),NTR			●
7	DA67-00206B	SHELF REF,LOW	GPPS(HF-2660),NTR			●
8	DA97-01385A	ASSY COVER-TOP, TABLE	PREMIUM,SNOW WHITE	●	●	
	DA97-01385B		PREMIUM,MIST SILVER	●	●	
	DA97-01385C		PREMIUM,SNOW WHITE,INVERTER	●	●	
	DA97-01385D		PREMIUM,MIST SILVER,INVERTER	●	●	
	DA97-01385E		PREMIUM,SNOW WHITE,MEXICO	●	●	
	DA97-01385F		PREMIUM,THAI SILVER	●	●	
	DA97-01385G		PREMIUM,THAI SILVER,INVERTER	●	●	
DA97-01385H	PREMIUM,THAI SILVER,MEXICO	●	●			
9	DA34-00015C	SWITCH DOOR	250VAC,0.24A	●	●	●
10	DA39-00119C	WIRE HARNESS-DOOR	240V	●	●	●
	DA39-00119D		240V,MEXICO	●	●	●
11	DA41-00018C	PBA MAIN	FR-1,250*55/220~240V	●	●	
	DA41-00018D		FR-1,250*55/127V	●	●	
12	DA41-00172A	PBA DISPLAY	258*30	●	●	
13	DA63-01732A	COVER TOP-TABLE	ABS,SNOW WHITE,PREMIUM	●	●	
	DA63-01732B		ABS,MIST SILVER,PREMIUM	●	●	
	DA63-01732C		ABS,THAI SILVER,PREMIUM	●	●	
14	DA63-01734A	COVER DISPLAY	ABS,SNOW WHITE	●	●	
	DA63-01734B		ABS,MIST SILVER	●	●	
15	DA63-01755A	GASKET-BUTTON,PCB	SILICONE,BLACK	●	●	
16	DA63-01776A	COVER-GASKET BUTTON	HIPS(HG-1760SF)	●	●	
17	DA64-00963A	BUTTON-PCB	ABS,SNOW WHITE	●	●	
	DA64-00963B		ABS,MIST SILVER	●	●	
	DA64-00963C		ABS,THAI SILVER	●	●	
18	DA41-00013A	PBA-SUB	INVERTER PCB(240V)	●	●	
	DA41-20160B		INVERTER PCB(127V)	●	●	
19	DA39-00112B	WIRE-HARNESS INVERTER	240V	●	●	
20	DA97-01384E	ASSY COVER-TOP, TABLE	SEMI,SNOW WHITE			●
	DA97-01384F		SEMI,MIST SILVER			●
	DA97-01384G		SEMI,THAI SILVER			●
	DA97-01384P		SEMI,SNOW WHITE,MEXICO			●
	DA97-01384Q		SEMI,THAI SILVER,MEXICO			●
21	DA41-00042C	PBA MAIN	FR-1,248*55/220~240V	●	●	
	DA41-00042D		FR-1,248*55/127V	●	●	
22	DA41-00081A	PBA PANEL ASSY	SEMI			●
23	DA41-00043A	PBA PANEL	SEMI			●
24	DA70-00208A	PLATE EARTH	SBHG1,T0.8			●
25	DA63-01754D	COVER TOP-TABLE	ABS,SNOW WHITE,SEMI			●
	DA63-01754E		ABS,MIST SILVER,SEMI			●
	DA63-01754F		ABS,THAI SILVER,SEMI			●
26	DA63-00444A	GASKET-WINDOW	NBR			●
27	DA63-01750A	GASKET-BUTTON,PCB	SILICONE			●
28	DA64-00959A	BUTTON-PCB	ABS,SNOW WHITE,SEMI			●
	DA64-00959B		ABS,MIST SILVER,SEMI			●
	DA64-00959C		ABS,THAI SILVER,SEMI			●
29	DA63-00235A	COVER-LAMP REF	PP	●	●	●
30	DA32-10105B	SENSOR ASSY	502AT,-10~35.5V	●	●	●
	DA32-10105Q		502AT,-10~35.5V	●	●	●
31	4713-001140	LAMP-INCANDESCENT	240V,25W,BLU,25x	●	●	●
	4713-001141		130V,25W,BLU,25x	●	●	●
32	DA63-00234B	COVER-SUNCTION REF	PP,COOL WHITE	●	●	●
33	DA63-10467B	COVER-SENSOR	HIPS	●	●	●

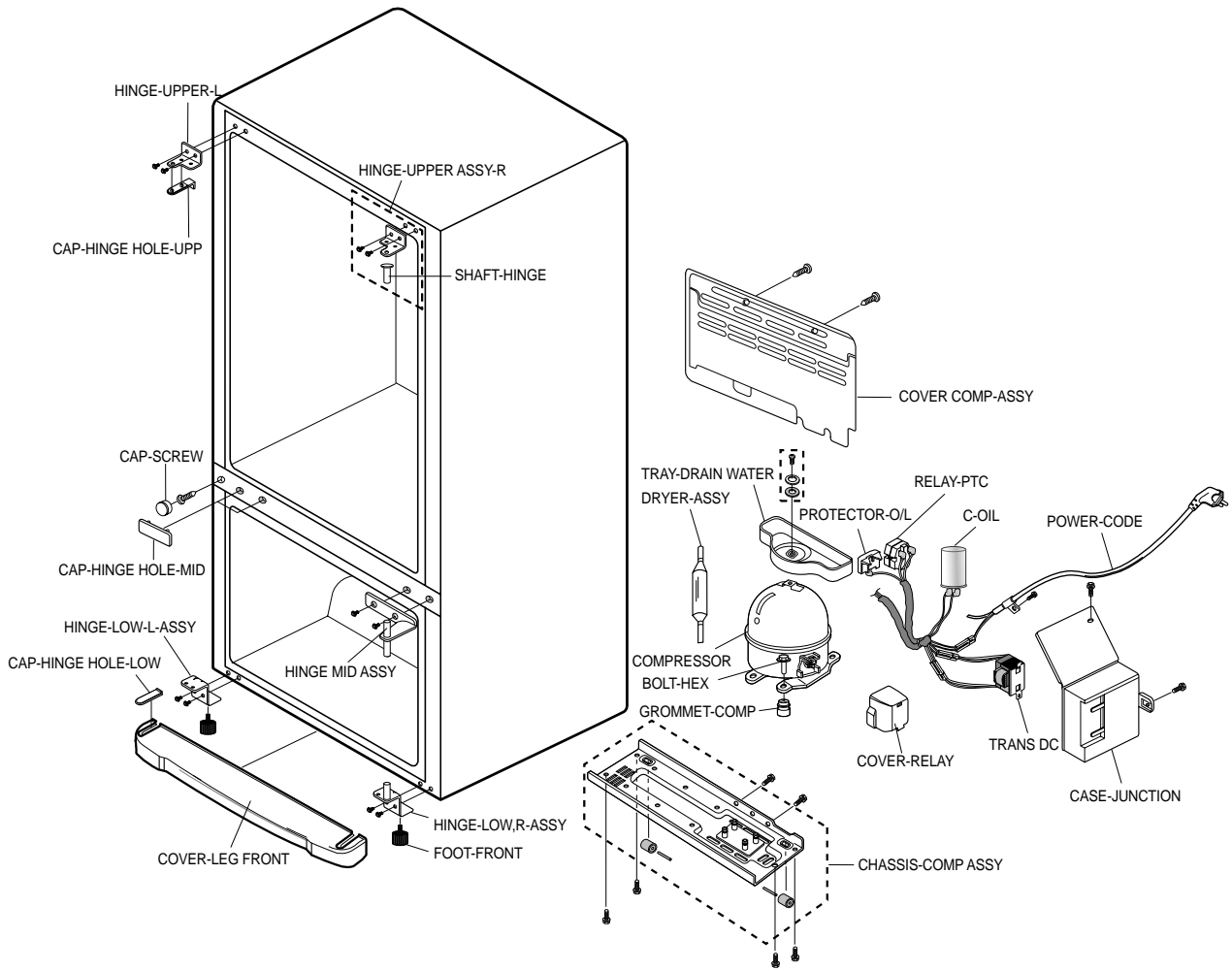
2-3. Door



■ Door List

NO	CODE-NO	ITEM	SPECIFICATION	OPTION		
				RL36/39E	RL39W	RL36/39S
1	DA97-01397B	ASSY GUARD VARIETY	PREMIUM,COOL WHITE	●	●	
2	DA63-01724A	GUARD-VARIETY	GPPS(HF-2660)			●
3	DA66-00058C	TRAY-EGG	PP,COOL WHITE	●	●	●
4	DA97-01398B	ASSY GUARD-DAIRY	PREMIUM,COOL WHITE	●	●	
5	DA97-01408A	ASSY GUARD-DAIRY	GPPS(HF-2660)			●
6	DA97-01400B	ASSY GUARD BOTTLE-DISP	PREMIUM		●	
7	DA97-01399B	ASSY GUARD-BOTTLE	PREMIUM	●		
8	DA63-01728A	GUARD-BOTTLE	GPPS(HF-2660)			●
9	DA71-00119A	GUIDE BOTTLE-B	RL39(D),MSWR10,SNC2		●	
10	DA71-00118A	GUIDE BOTTLE	RL36/39,MSWR10,SNC2	●		●
11	DA91-01722B	ASSY-DOOR FOAM FRE	RL39,SNOW WHITE	●	●	●
	DA91-01722C		RL36,SNOW WHITE	●		●
	DA91-01722E		RL39,MIST SILVER	●	●	●
	DA91-01722F		RL36,MIST SILVER	●		●
	DA91-01722G		RL36,NOBLE STAINLESS	●		●
	DA91-01722H		RL39,NOBLE STAINLESS	●	●	●
	DA91-01722J		RL39,THAI SILVER	●	●	●
	DA91-01722K		RL36,THAI SILVER	●		●
	DA91-01722L		RL39,MATTE SILVER	●	●	●
12	DA91-01722M		RL36,MATTE SILVER	●		●
12	DA91-01724A	ASSY-DOOR FOAM REF(DIS)	RL39,DISP,SNOW WHITE		●	
	DA91-01724B		RL39,DISP,MIST SILVER		●	
	DA91-01724C		RL36,NOBLE STAINLESS	●		●
	DA91-01724D		RL39,DISP,NOBLE STAINLESS		●	
	DA91-01724E		RL39,DISP,THAI SILVER		●	
	DA91-01724F		RL39,DISP,MATTE SILVER		●	
	DA91-01724G		RL39,NOBLE STAINLESS	●		●
13	DA91-01723A	ASSY-DOOR FOAM REF	RL39,SNOW WHITE	●		●
	DA91-01723B		RL36,SNOW WHITE	●		●
	DA91-01723C		RL39,MIST SILVER	●		●
	DA91-01723D		RL36,MIST SILVER	●		●
	DA91-01723G		RL39,THAI SILVER	●		●
	DA91-01723H		RL36,THAI SILVER	●		●
	DA91-01723J		RL39,MATTE SILVER	●		●
14	DA91-01723K		RL36,MATTE SILVER	●		●
14	DA97-01402A	ASSY COVER-DISPENSER	RL39(DIS),SNOW WHITE		●	
	DA97-01402B		RL39(DIS),MIST SILVER		●	
	DA97-01402C		RL39(DIS),THAI SILVER		●	
15	DA61-20146A	SPRING-ETC LEVER	STS304		●	
16	DA63-01735A	COVER-DISPENSER	ABS,SNOW WHITE		●	
	DA63-01735B		ABS,MIST SILVER		●	
	DA63-01735C		ABS,THAI SILVER		●	
17	DA64-00121A	KEY-LEVER	POM		●	
18	DA64-00965A	KNOB-LEVER DISPENSER	ABS(MP-0160),SILVER		●	
19	DA66-00062A	LEVER-DISPENSER	POM,NTR		●	
20	DA97-01433A	ASSY CASE-DISPENSER	RL39(DIS),SNOW WHITE		●	
	DA97-01433B		RL39(DIS),MIST SILVER		●	
	DA97-01433C		RL39(DIS),THAI SILVER		●	
21	DA63-01715A	TRAY-DISPENSER	ABS(HG-0760H),SNOW WHITE		●	
	DA63-01715B		ABS(HG-0760H),MIST SILVER		●	
	DA63-01715C		ABS(HG-0760H),THAI SILVER		●	
22	DA71-20155C	ASSY FIXER-CASE	RL39,DISPENSER		●	
23	DA97-02005A	ASSY TANK-WATER	RL39,DISPENSER		●	
24	DA97-00217D	ASSY COCK-DISPENSER	RL39,DISPENSER		●	
25	DA63-00240B	COVER-WATER TANK	PP		●	
26	DA65-20004B	CLAMP-TANK	HIPS		●	
27	DA67-30216C	CAP-COVER TANK	PP		●	
28	DA74-00051B	TANK-WATER	PP		●	
29	DA67-00194A	CAP-HINGE HOLE	PP,SNOW WHITE	●	●	●
	DA67-00194F		PP,MIST SILVER	●	●	●
	DA67-00194G		PP,THAI SILVER	●	●	●

2-4. Cabinet Parts & Unit



■ Cabinet Parts & Unit Lists

NO	CODE-NO	ITEM	SPECIFICATION	OPTION		
				RL36/39E	RL39W	RL36/39S
1	DA61-00073A	HINGE-UPPER ASSY-R	SHP1,T2.7	●	●	●
2	DA61-00075A	HINGE-UPPER-L	SHP1,T2.7	●	●	●
3	DA61-00146A	HINGE-MID ASSY	SHP1,T4.0	●	●	●
4	DA61-00119A	HINGE-MID	SHP1,T4.0	●	●	●
5	DA63-00443A	SHIM HINGE-MID	RD-PVC	●	●	●
6	DA67-00195A	CAP-HINGE HOLE-MID	PP	●	●	●
7	DA67-00196A	CAP-HINGE HOLE-UPP	PP,SNOW WHITE	●	●	●
	DA67-00196F		PP,MIST SILVER	●	●	●
	DA67-00196G		PP,THAI SILVER	●	●	●
8	DA97-00919B	ASSY HINGE LOW-R	ZPC2,T4.0	●	●	●
9	DA61-00072A	HINGE-LOWER	SHP1,T4.0	●	●	●
10	DA97-00920A	ASSY HINGE LOW-L	ZPC2,T4.0	●	●	●
11	DA61-00805A	FOOT FRONT	PP,PI44,NTR	●	●	●
12	DA97-01431A	ASSY COVER-LEG FRONT	PP,SNOW WHITE	●	●	●
	DA97-01431B		PP,MIST SILVER	●	●	●
	DA97-01431C		PP,THAI SILVER	●	●	●
13	DA63-01733A	COVER LEG-FRONT	PP,SNOW WHITE	●	●	●
	DA63-01733B		PP,MIST SILVER	●	●	●
	DA63-01733C		PP,THAI SILVER	●	●	●
14	DA67-00197A	CAP-HINGE HOLE-LOW	PP,SNOW WHITE	●	●	●
	DA67-00197F		PP,MIST SILVER	●	●	●
	DA67-00197G		PP,THAI SILVER	●	●	●
15	DA63-00398A	COVER COMP-ASSY	SBHG1,T0.4	●	●	●
16	DA97-01782A	TRAY-DRAIN WATER ASSY	T0.6,BLACK	●	●	●
17	DA73-30102F	DRYER-ASSY	CU,OD18.85,ID2,L107	●	●	●
18	DA97-00726A	ASSY-CHASSIS COMP	T1.2	●	●	●
19	DA63-02017A	GROMMET-COMP	NBR,BLACK	●	●	●
20	DA60-20008A	BOLT-HEX	SM30C,L42.6	●	●	●
21	DA63-01866A	COVER-RELAY	NORYL	●	●	●
	DA63-01363A		NORYL	●	●	●
22	DK4A1QL1U/E01	COMPRESSOR	230~240V,50Hz	●	●	●
	DK172QL2U/E02		220V,60Hz	●	●	●
	DK172PL2U/E02		127V,60Hz	●	●	●
	MD4A1QL1U/E01		230~240V,50Hz	●	●	●
23	2501-001185	C-OIL	350VAC/3.5uF	●	●	●
	2501-001186		350VAC/5uF	●	●	●
	2501-001045		250VAC/12uF	●	●	●
24	DA34-10003H	PROTECTOR-P/L	4TM213PHBYY-53	●	●	●
	DA34-10003K		4TM232SHBYY-53	●	●	●
	DA34-10003T		4TM435PHBYY-53	●	●	●
	DA34-10004A		4TM189PHBYY-53	●	●	●
25	DA35-10013B	RELAY-PTC	J531Q35E330M385-2	●	●	●
	DA35-10013N		J531Q35E100M200-2	●	●	●
26	DA26-00003A	TRANS-DC	240V,17V,0.2A	●	●	●
	DA26-00003B		115~127V,17V,0.2A	●	●	●
27	DA61-00089B	CASE-JUNCTION	PP,NTR	●	●	●
28	DA39-10115D	POWER-CODE	UCP-2,250V,10/16A,L2100	●	●	●
29	DA66-00060A	SHAFT-HINGE	SWCH10A,ZPC2	●	●	●

3. Disassembly & Assembly

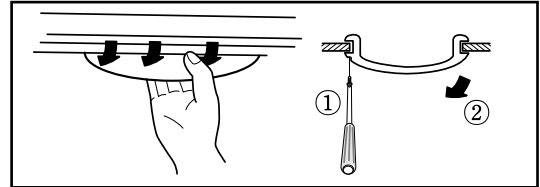
3-1. Replacement of refrigerator Incandescent lamp



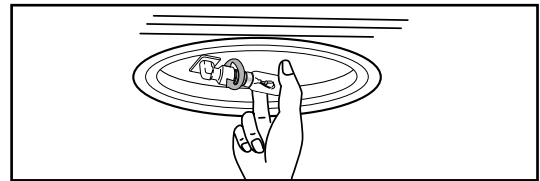
Warning

Always take out the power plug when replacing the refrigerator lamp. There is the danger of electric shock.

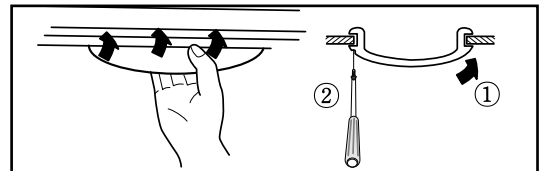
1. Remove a screw from the cover and pull down the cover with the back latch pressed.



2. Pull out the lamp.



3. After replacing the lamp, assemble the front latch of cover and then connect the back latch and screw on the cover.



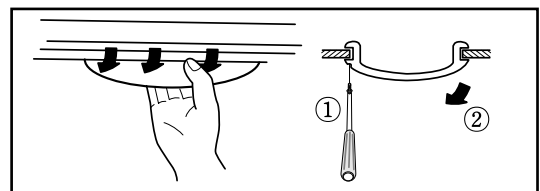
3-2. Replacement of refrigerator fluorescent lamp



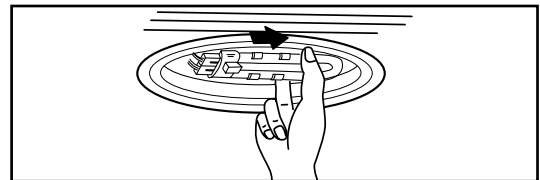
Warning

Always take out the power plug when replacing the refrigerator lamp. There is the danger of electric shock.

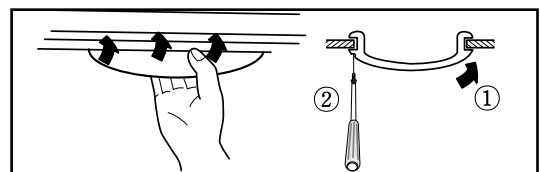
1. Remove a screw from the cover and pull down the cover with the back latch pressed.



2. Pull out the lamp.

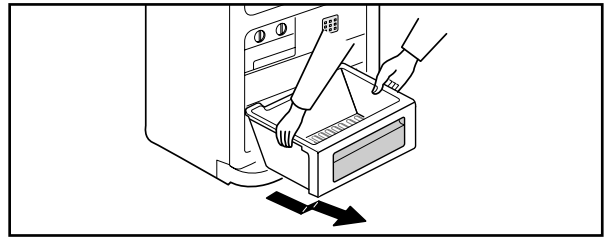


3. After replacing the lamp, assemble the front latch of cover and then connect the back latch and screw on the cover.

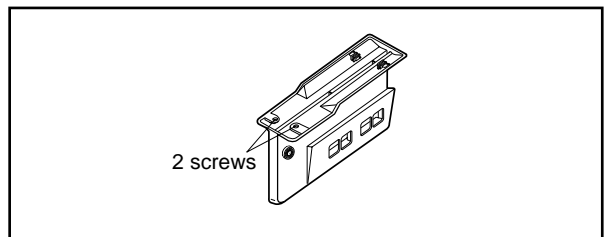


3-3. Disassembly of the cooling cycle unit in the freezer

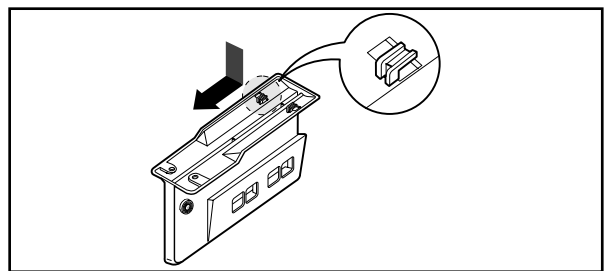
1. Take out the case from the freezer.



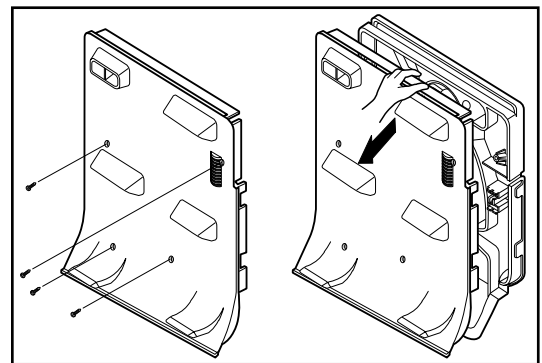
2. Remove 2 screws from the holder of the cooling cycle unit.



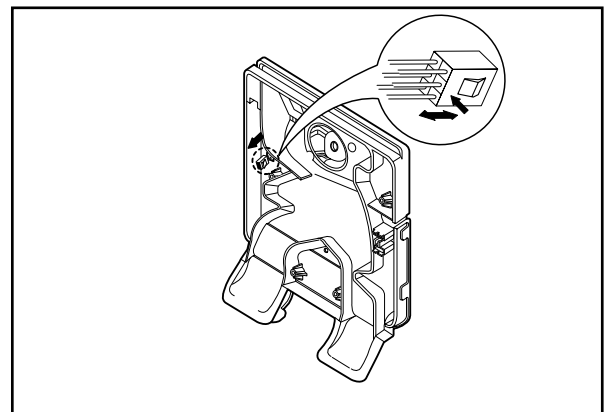
3. Pull out the holder of the cooling cycle unit and disconnect wire terminals.



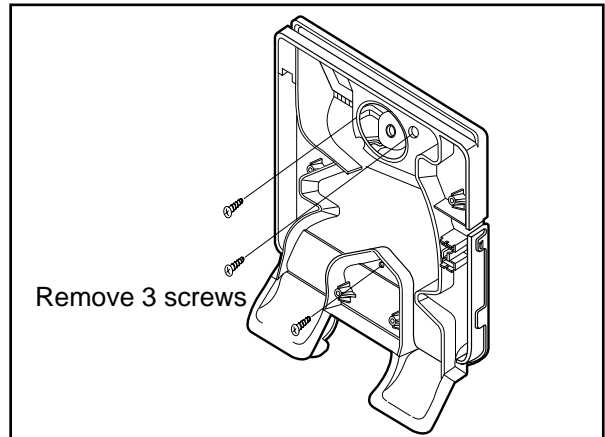
4. Pull forward the insulating material of the cooling cycle unit and remove the wire terminal and insulating material.



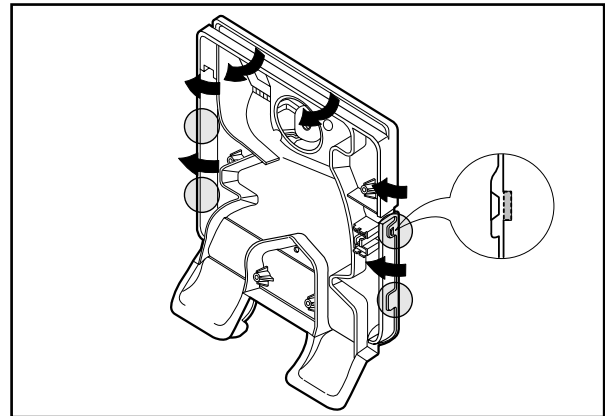
5. Remove 2 screws securing refrigerator duct and pull it out by following the arrow.



6. Remove 3 screws from the back cover of the cooling cycle unit and remove the latch with (+) driver.

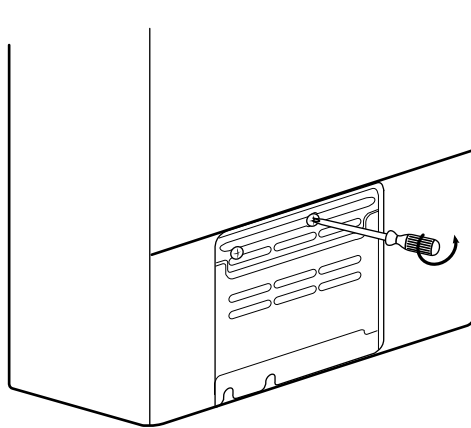


7. Remove the latch of the cooling cycle unit cover from the bottom.

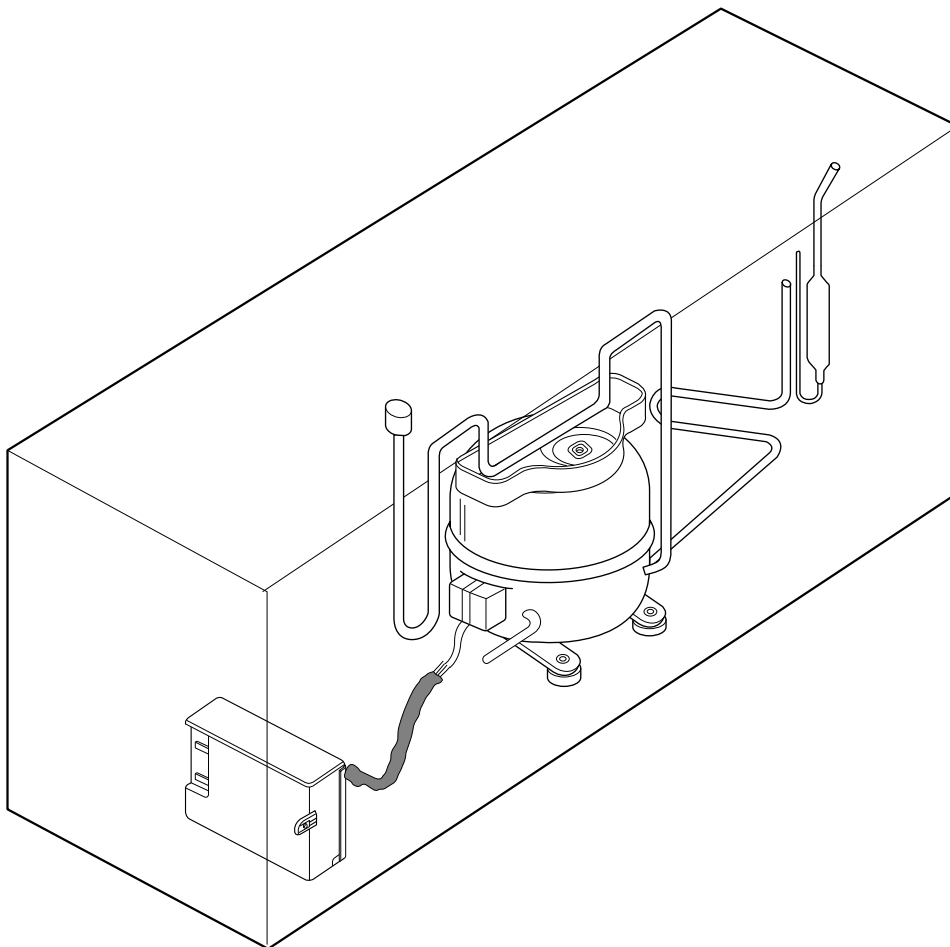


3-4. Assembly of mechanic compartment in the refrigerator

1. Remove the screws from the securing cover of the mechanic compartment at the back bottom.



2. Mechanic compartment assembly



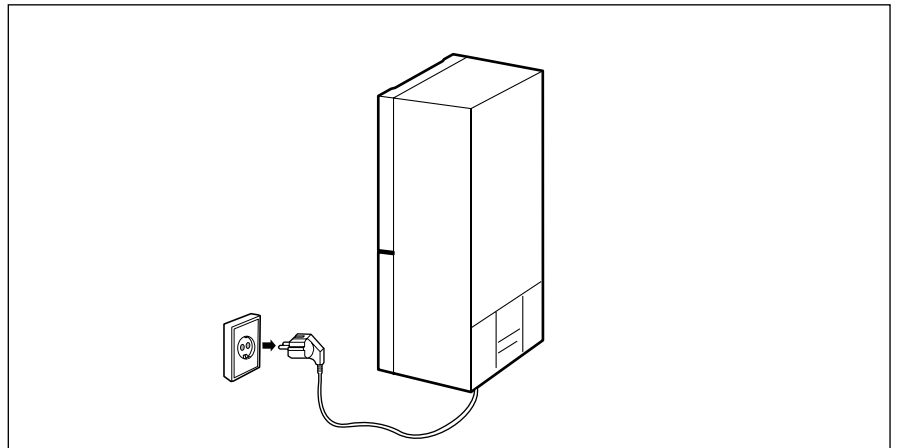
3-5. Electric box assembly



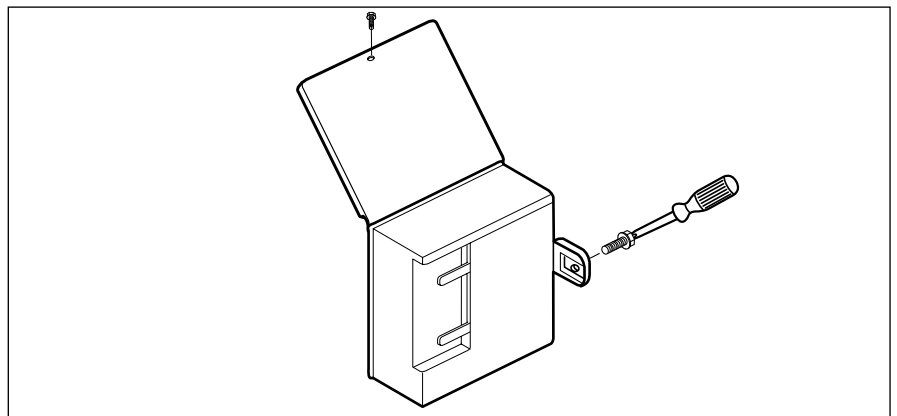
Warning

Make sure the power plug is taken out when replacing the components for the main PCB.

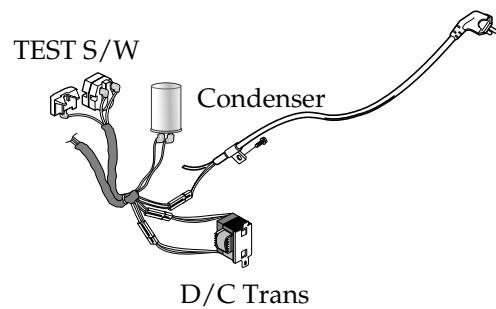
1. Disconnect the power cord.



2. Remove the cover of electrical box with insert driver.(⚡)

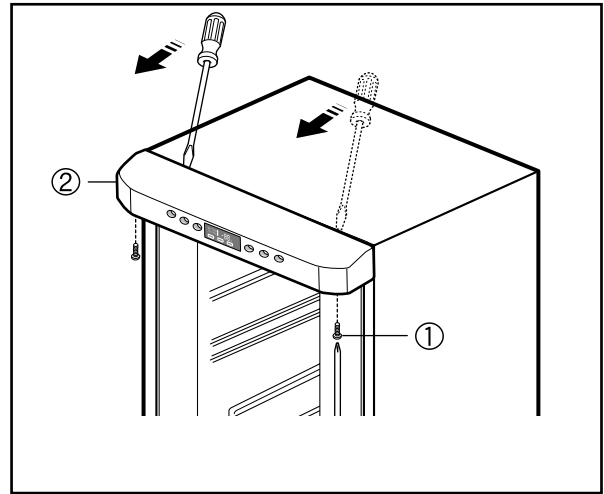


3. Assembly specification of electric box

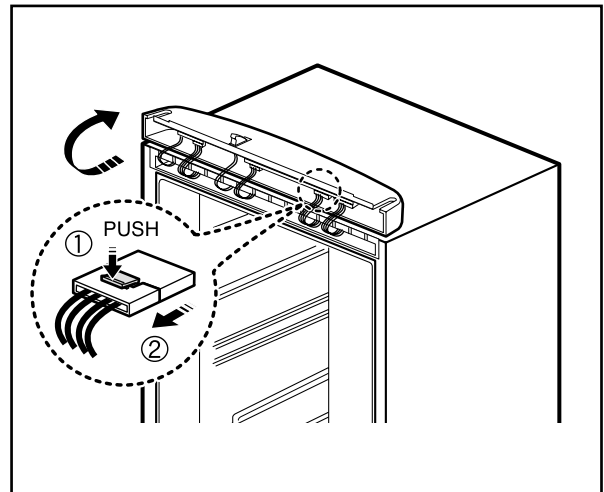


3-6. Disassembly of Top Table

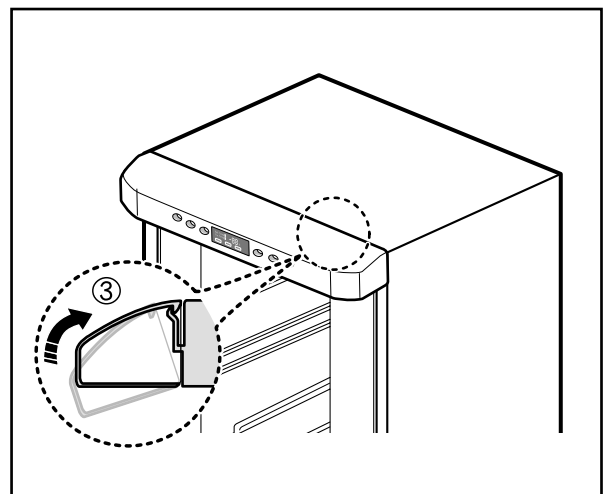
- With the door open, unscrew screws ① with a screw driver (“+” type).
- Lever out top table ② with a screw driver (“-” type).



- Repair or change electric parts of top table.



- Attach the top table and click into hook ③ by pressing.



MEMO

MEMO

MEMO
