

**D
A
E
V
Y
O
O**

Service Manual

Auto Washer

Model: DWF-8089

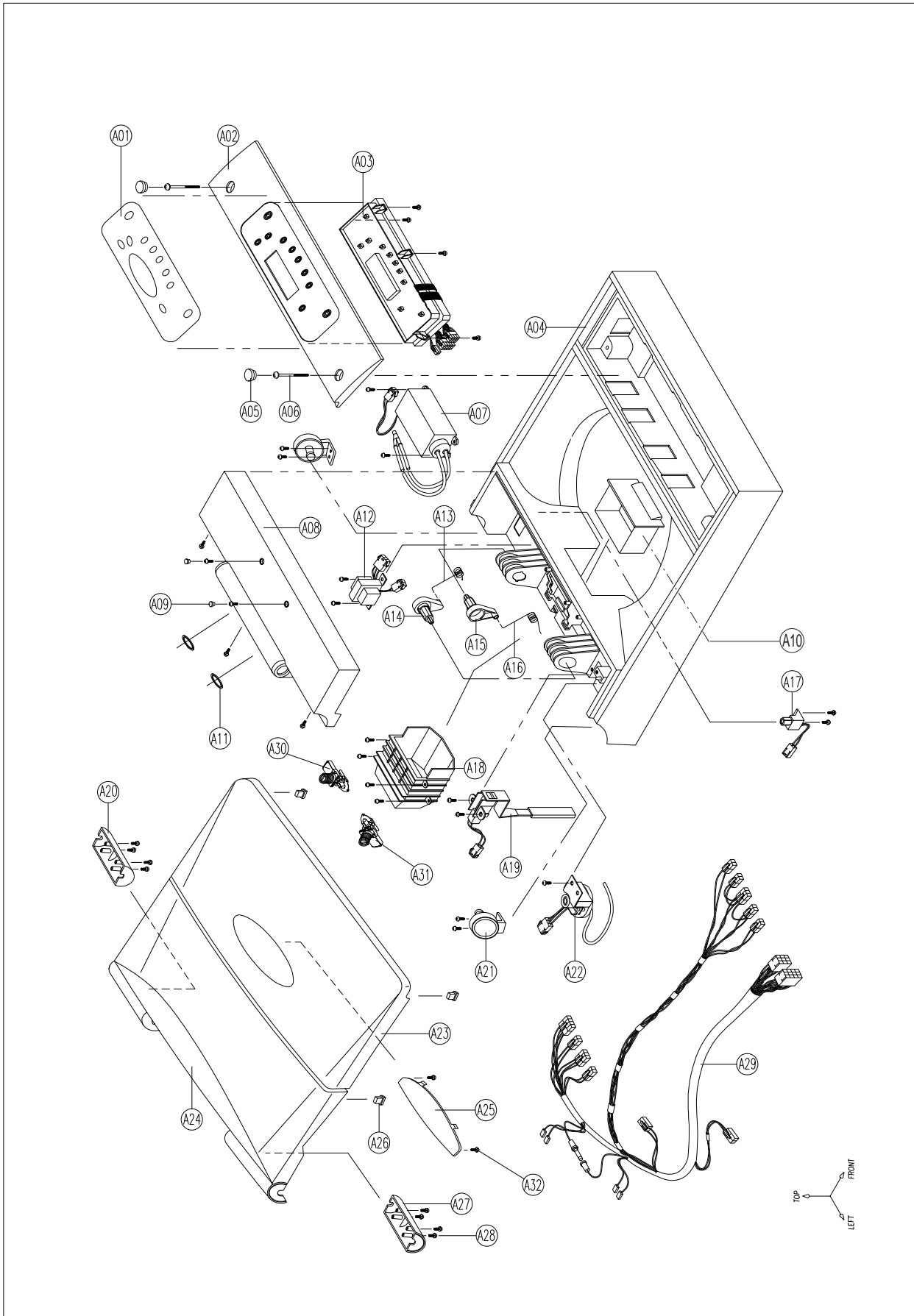
SN SGWF7589001 FEB. 2000

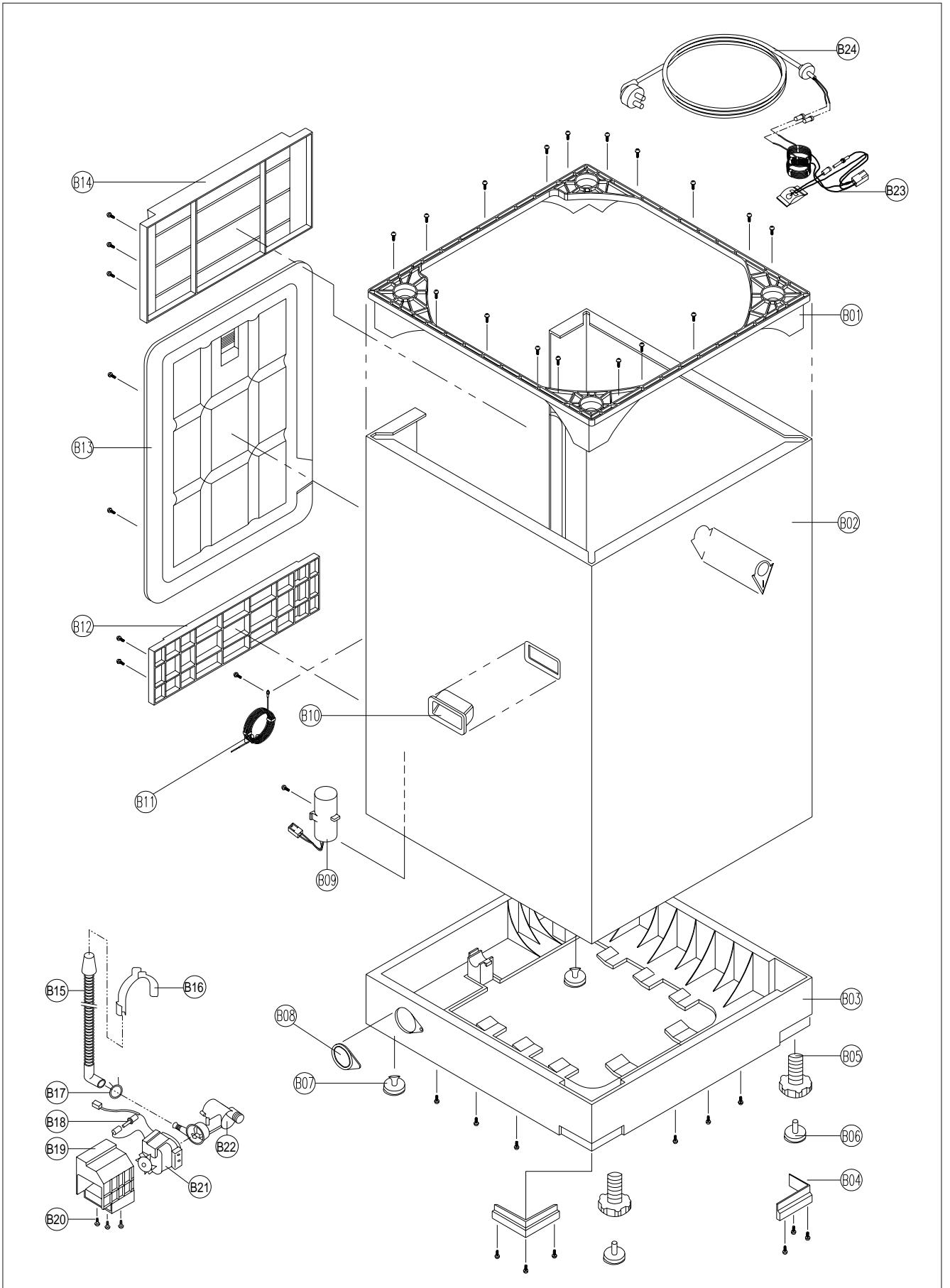


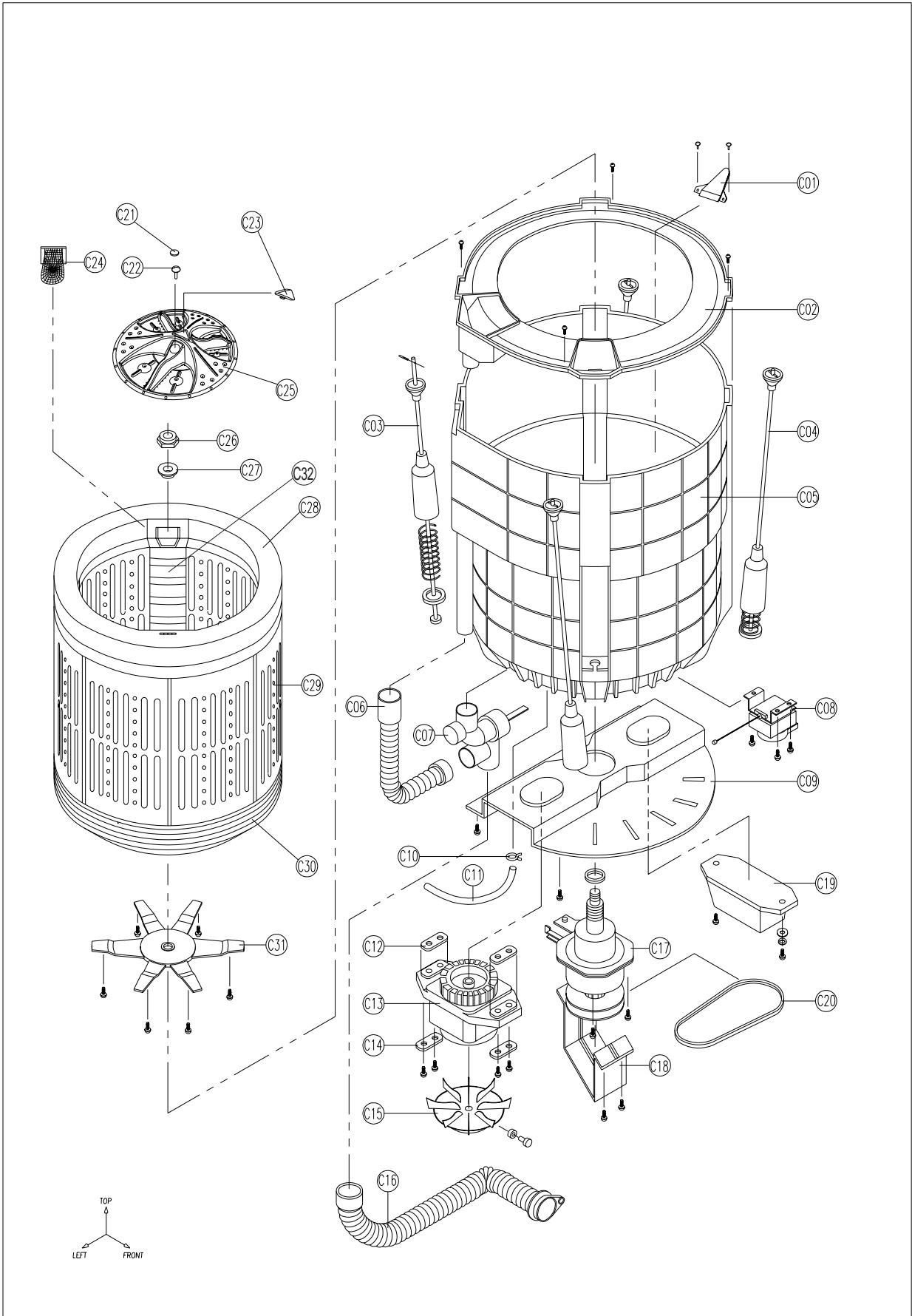
1. SPECIFICATIONS

NO.	ITEM	DWF-8089					
1	POWER SOURCE	AVAILABLE IN ALL LOCAL AC VOLTAGE AND CYCLE					
2	POWER CONSUMPTION	50Hz	60Hz				
		400W	460W				
3	MACHINE WEIGHT	NON-PUMP	50Kg (GROSS : 60Kg)				
		PUMP	51Kg (GROSS : 61Kg)				
4	DIMENSION (WXHXD)	610 X 962 X 655mm					
5	WASHING COURSE	FULL AUTOMATIC 8 COURSE (FUZZY, MEMORY, DRY, SILK, ECONOMICAL, STRONG, NIGHT, BLANKET)					
6	WATER CONSUMPTION	NORMAL 265L					
7	WATER LEVEL SELECTOR	HIGH(82L), MID(70L)					
		LOW(57L), SMALL(43L)					
		E.SMALL(31.5L)					
8	OPERATING WATER PRESSURE	0.3kgf/cm ² ~8kgf/cm ² (2.94 N/cm ² ~78.4N/cm ²)					
9	REVOLUTION PER MINUTE	60Hz	WASH : 145~160, SPIN : 750~800				
		50Hz	WASH : 130~145, SPIN : 700~750				
		SILK, DRY COURSE	WASH : 70 (60Hz), 60 (50Hz)				
10	PULSATOR	6 WINGS (~376mm)					
11	WATER LEVEL CONTROL	ELECTRONICAL SENSOR					
12	ANTI NOISE PLATE	O					
13	GEAR MECHANISM ASS'Y	HELICAL GEAR FOR LOW NOISE					
14	LINT FILTER	O					
15	SOFTENER INLET	O					
16	FUNCTION FOR SOAK WASH	O					
17	ALARM SIGNAL	O					
18	RESIDUAL TIME DISPLAY	O					
19	AUTO. WATER SUPPLY	O					
20	NEW WATER FLOW	WATER FLOW FOR ADJUST THE UNBALANCED LOAD					
21	ECONOMIC COURSE	O					
22	FUNCTION FOR BUBBLE	O					
23	AUTO RE-FEED WATER	O					
24	AUTO POWER OFF	O					

2. Parts Diagram







3. Parts List

3-1. DWF-8089

NO	PART CODE	PARTS NAME	EA	DESCRIPTION	REMARK
A01	3611611400	DECORATOR PANEL F	1	PC FILM 0.188T	
A02	3614215520	PANEL F	1	ABS 7589,8089,8059	
A03	PRPSSWN500	P.C.B ASS'Y	1	DWF-1089	NON-PUMP
	PRPSSWN800			DWF-1089CTE	NON-PUMP
	PRPSSWN900			DWF-1089PT	PUMP
A04	3614504210	PLATE T	1	ABS , NON METALLIC	
A05	3610906700	CAP	2	ABS	
A06	3616001200	SPECIAL BOLT	2	T1 TRS 5x73	
A07	3618902101	BUBBLE PUMP ASS'Y	1	AC 110-130V/60Hz	
	3618919400			AC 220-240V/50Hz,60Hz	
A08	3614202000	PANEL B	1	ABS	
A09	3610902600	CAP REAR	2	CR	
A10	3611105400	CASE DETERGENT	1	ABS	
A11	3612300110	GASKET VALVE	2	PVC-S (IN-LET)	I
A12	5EP1048010	TRANS POWER	1	T5-V1 (AC 110-130V)	
	5EP1048020			T5-V1F(AC 110-130V)	FUSE
	5EP1048030			T5-V2 (AC 220-240V)	
	5EP1048040			T5-V2F(AC 220-240V)	FUSE
A13	3615103510	SPRING	1	DWF-8089, D=2.0	RIGHT
A14	3612900400	HINGE LEFT	1	POLYACETAL	
A15	3612900300	HINGE RIGHT	1	POLYACETAL	
A16	3615103610	SPRING	1	DWF-8089, D=2.0	LEFT
A17	3619007800	SWITCH DOOR AS	1	DWDS-01	
A18	3610400800	BASE DETERGENT	1	PP	
	3610400820			PP	SINGLE VALVE
A19	3619006720	SWITCH SAFETY	1	DC 15V 050 K	
A20	3611404601	COVER R	1	ABS	RIGHT
A21	3610903010	CAP DOOR AS	2	40 'S	
A22	3614801120	SENSOR PRESSURE	1	D10T, TERMINAL	
A23	3611715100	DOOR F	1	ABS	
A24	3611715200	DOOR B	1	ABS	
A25	3612603010	HANDLE DOOR	1	ABS	

NO	PART CODE	PARTS NAME	EA	DESCRIPTION	REMARK
A26	3611521700	CUSHION DOOR	4	CR	
A27	3611405101	COVER L	1	ABS	LEFT
A28	7121401608	SCREW	8	T2S PAN 4x16 SUS	
A29	3612725100	HARNESS ASS ; γ	1	NON-PUMP	
	3612725110			PUMP	
	3612725120			NON-PUMP, SINGLE VALVE	
A30	3615403510	VALVE INLET COLD	1	AC 110-130V/60Hz	
	3615403711			AC 220-240V/50Hz	
	3615402010			AC 220V/60Hz	
A31	3615403630	VALVE INLET HOT	1	AC 110-130V/60Hz	
	3615403831			AC 220-240V/50Hz	
	3615402130			AC 220V/60Hz	
A32	7121301208	SCREW	2	T2S TRS 3x12 SUS	
B01	3612200100	FRAME T	1	PP	
B02	3610805600	CABINET AS	1	PAINTING	
B03	3610303130	BASE U	1	PP	NON-PUMP
	3610303110			PP	PUMP
B04	-	-	-	-	
B05	3617702100	LEG ADJUST	2	PP	
B06	3612100300	FOOT	2	PP	
B07	4509D10020	FOOT	2	RUBBER BUTYL	
B08	-	-	-	-	
B09	3610076130	ASSY CONDENSER	1	54.0 γ F+60 γ H, L=470	110V
	3610076230			41.6 γ F+60 γ H, L=470	127V
	3610032630			13.5 γ F+60 γ H, L=470	220V
	3610031930			12.5 γ F+60 γ H, L=470	240V
B10	3612600700	HANDLE CABINET	2	PE-HD	
B11	3610068700	ASSY EARTH	1	50/0.18 GREEN ST710480-2	
B12	-	-	-	-	
B13	3611402800	COVER BACK	1	PP	
B14	3614504300	PLATE UPPER	1	PP	
B15	3613214200	HOSE DRAIN O AS	1	L=1000	NON-PUMP
	3613203101	HOSE AS	1	DWF-5230PN	PUMP
B16	3612502300	GUIDE DRAIN HOSE	1	PP	PUMP
B17	3611201000	CLAMP	1	HSW3,D2.6,MFZN,D36	NON-PUMP

NO	PART CODE	PARTS NAME	EA	DESCRIPTION	REMARK
	3611200200	CLAMP B	1	SW D2.6 ZN8-C	PUMP
B18	3618703700	TERMINAL PUMP	1	250V/1A	PUMP
	3618703720			125V/3.15A	PUMP
B19	3611405320	COVER PUMP	1	PP	PUMP
B20	7122501611	SCREW TAPPING	3	T2 TRS 5x16 MFZN	PUMP
B21	3963220330	MOTOR SHADED POLE	1	AC 110V/60Hz	PUMP
	3963821530			AC 120V/60Hz	PUMP
	3963322730			AC 220V/60Hz	PUMP
	3963513430			AC 220-240V/50Hz	PUMP
B22	3611901530	FILTER AS	1	DWF-5590DPNF, E-TYPE	PUMP
B23	3618912600	UNIT FUSE FILTER	1	AC 250V/4A, FERRITE	
	3618912630			AC 250V/5A, FERRITE	TUV
	3618912610			AC 250V/8A, FERRITE	
B24	3611301300	POWER CORD AS	1	3x0.75, 300x2, 300-RTML	ITALIAN 3PIN
	4508B81001			3x0.75, 300x2, 300-RTML	CP-2PIN
	450E181000			3x0.75, 300x2, 300-RTML	3-WIRE
	WAK42H762-			A VCTFK 2x0.75, 2.3M	FLAT 2PIN
	450KA81003			3x0.75, 300x2, 300-RTML	EUROPE-2PIN
C01	3618101400	NOZZLE BODY	1	PP	
C02	3611408500	COVER TUB O	1	PP	
C03	3619802800	SUSPENSION AS(A)	2	DWF-8094	
C04	3619802900	SUSPENSION AS(B)	2	DWF-8094	
C05	3618802620	TUB O	1	PP	NON-PUMP
	3618802630			PP	PUMP
C06	3613208900	HOSE OVERFLOW	1	PE-LD	NON-PUMP
C07	3615404000	VALVE DRAIN AS	1	DWF-5590D, VE	NON-PUMP
C08	450ED45020	MOTOR SYNCHRONOUS	1	AC 110-130V/60Hz	NON-PUMP
	3966320210			AC 220V/60Hz	NON-PUMP
	3966010120			AC 220-240V/50Hz	NON-PUMP
	450ED45040			AC 110-130V/60Hz	PUMP
	3966320240			AC 220V/60Hz	PUMP
	3966010140			AC 220-240V/50Hz	PUMP
C09	3610303000	BASE	1	SECEN 2.0Tx410x385	
C10	4500D08180	CLAMP	1	SWC	
C11	4500D08170	HOSE	0.62	ID=8.0, OD=12.0	

NO	PART CODE	PARTS NAME	EA	DESCRIPTION	REMARK
C12	3611502800	CUSHION DOWN	2	POM H=18mm	
C13	3964220400	MOTOR CONDENSER	1	AC 110V/60Hz	F34-C
	3964820510			AC 127V/60Hz	F36-C
	3610019700			AC 220/60Hz	F3A-C
	3964310510			AC 220V/50Hz	F32-1C
	3964610310			AC 240V/50Hz	F33-1C
C14	3611502000	CUSHION UPPER	2	POM	
C15	3618401400	PULLEY MOTOR AS	1	ADC-12, DS=10, DP=48.5	60Hz
	3618401420			ADC-12, DS=10, DP=53.0	50Hz
C16	3613218500	HOSE DRAIN AS	1	PE-LD/EVA, L=219.5	NON-PUMP
	3613212100	HOSE DRAIN I	1	PE-LD/EVA, L=184	PUMP
C17	3617307410	GEAR MECHAISM	1	GM-1300-KJ4P0	COMPATIBLE: 3617301000
C18	3618300100	PLATE GEAR PROTECTOR	1	SBHG 1.6T	
C19	-	-	-	-	
C20	4507D34020	BELT V	1	M20	50Hz, 60Hz
C21	3610906200	CAP PULSATOR	1	PP	
C22	4505E3203A	SC PULSATOR FIX AS	1	6x26.5 O-RING+SILOCK	
C23	3610906400	CAP	1	PP	
C24	3610085500	ASS İYİ FILTER	1	PP(NYLON 74x130)	
C25	3619702910	PULSATOR AS	1	PULSATOR+INSERT	
C26	4509G83081	NUT-SPIN SHAFT	1	ZDC2 CU, NI COATING	
C27	4509L83070	SPECIAL WASHER	1	SUS304 T2.0 PI44	
C28		BALANCER AS	1		
	3616101600			DWF-8080R2	DWF-8089
C29		TUB	1		
	3618801700			YUS 430D	DWF-8089
C30	3618802000	TUB U	1	PP	DWF-8089
C31	3617200600	FLANGE TUB	1	ALDC 12 VE1	
C32		GUIDE FILTER AS	1		
	3612502200			DWF-8080R2	DWF-8089