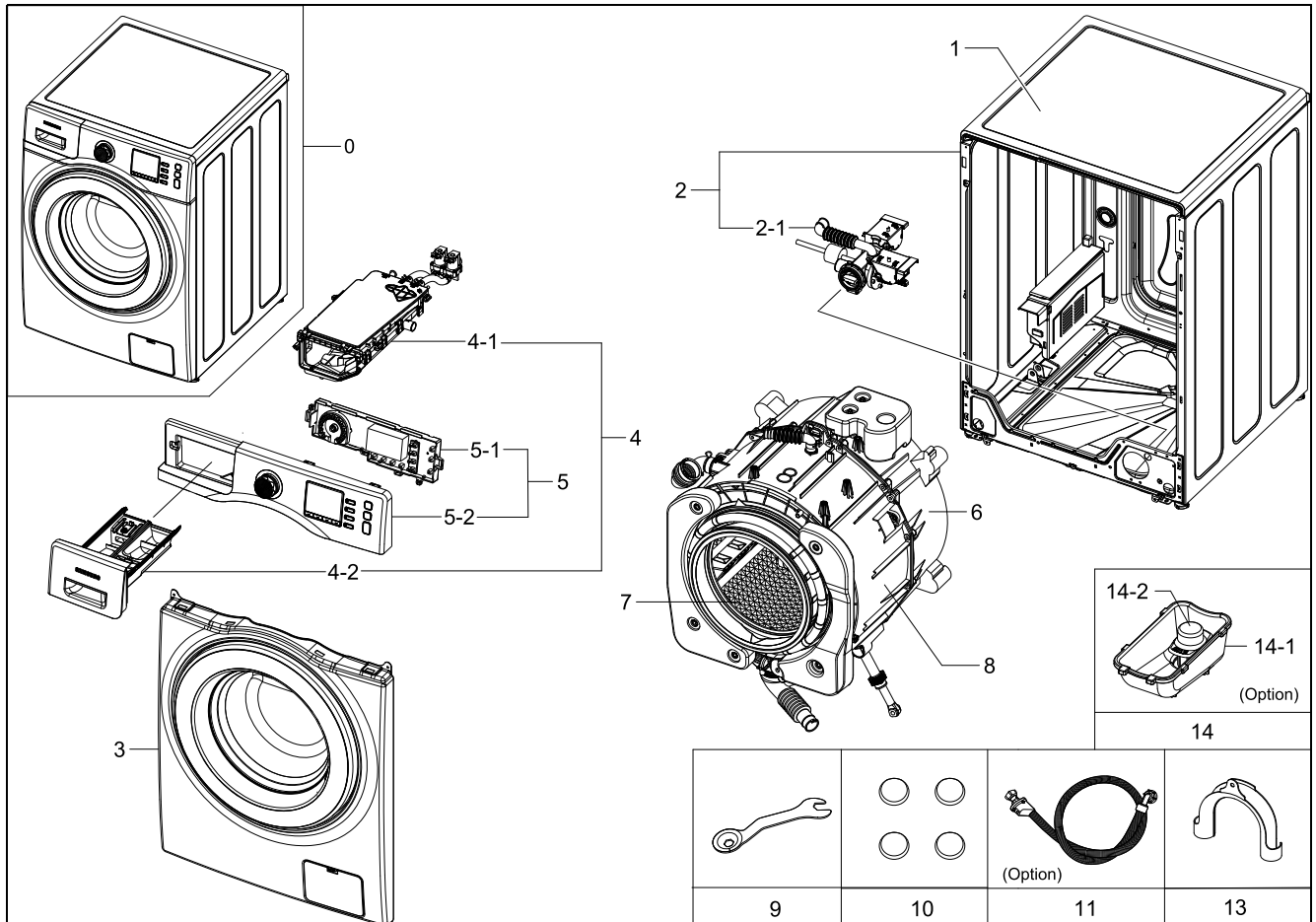


1. MAIN

Exploded View



Parts List

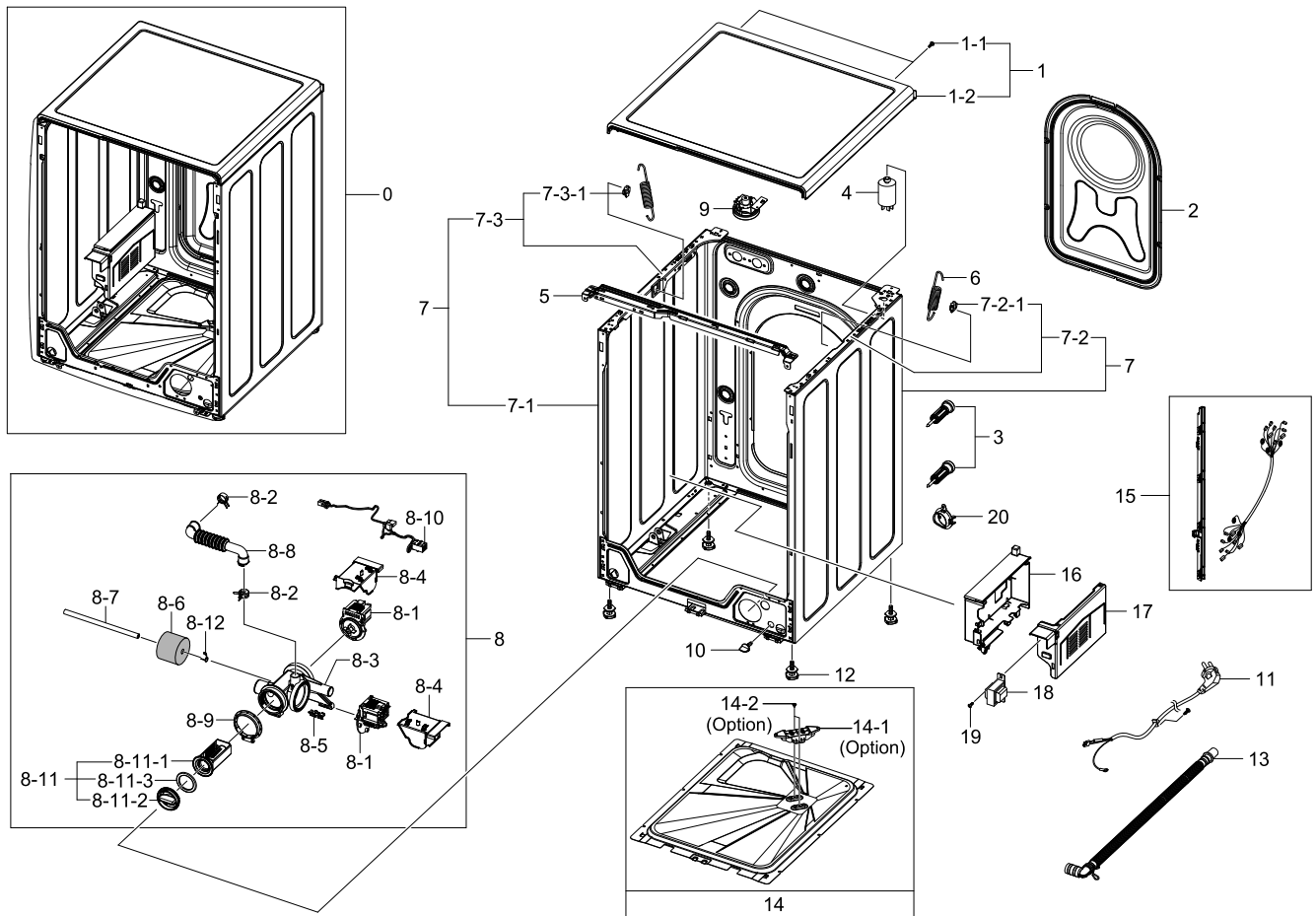
No.	Lvl.	Loc.	Material Code	Description & Specification	SNA	Qty.
1	1	W0183	DC90-09576A	ASSY COVER TOP; SEINE,WF906U4SAWD/EF	SNA	1
2	1	W0506	DC90-09583A	ASSY FRAME; SEINE,WF906U4SAWD/EF	SNA	1
2-1	2	W0194	DC97-15696E	ASSY PUMP DRAIN; SCOUT-PJT,WF0804Y8E/XEF,	SA	1
3	1		DC90-09579A	ASSY FRONT; SEINE,WF906U4SAWD/EF	SNA	1
4	1	W0216	DC90-09577A	ASSY DRAWER; SEINE,WF906U4SAWD/EF	SNA	1
4-1	2	W0163	DC97-16005Q	ASSY HOUSING DRAWER; SCOUT,WF0804Y8E,COLD	SA	1
4-2	2	W0216	DC97-17059A	ASSY DRAWER; SEINE,WF906U4SAWQ	SA	1
5	1	W0478	DC90-09928A	ASSY PANEL CONTROL; SEINE,WF906U4SAWQ/EC	SNA	1
5-1	2	W0469	DC92-01057B	ASSY PCB SUB; Seine Best SUB,9kg,230V/50H	SA	1
5-2	2	W0478	DC97-17066M	ASSY PANEL CONTROL; SEINE,WF906U4SAWQ/EC,	SA	1
6	1	W0501	DC90-09580A	ASSY TUB BACK; SEINE,WF906U4SAWD/EF	SNA	1

Exploded Views and Parts List

No.	Lvl.	Loc.	Material Code	Description & Specification	SNA	Qty.
7	1	W0165	DC90-09581A	ASSY DRUM; SEINE,WF906U4SAWD/EF	SNA	1
8	1	G0048	DC90-09586A	ASSY TUB FRONT; SEINE,WF906U4SAWD/EF	SNA	1
9	2	W0611	DC60-40146A	BOLT-SPANER; -,CR,-,T2.5,OD36,-,-,-	SA	1
10	2	W0614	DC67-00307A	CAP-FIXER; WF438AAC/XAA,PP,T1.5,BLK,RM60	SC	4
11	2	W0757	DC97-16921A	ASSY HOSE WATER; HEBA,WF8804,REFLEX,L1450	SA	1
13	2	W0626	DC62-10278A	HOSE-HANGER; PUMP MODEL,PP,BLK,RM60 RESIN	SA	1
14	2	W0630	DC97-16128C	ASSY COVER DRAWER; HEBA,PP	SA	1
14-1	3	M0102	DC61-02581C	GUIDE-LIQUID(M); WF1802XEC,PP,T2.0,W61,L1	SA	1
14-2	3	W0632	DC67-00524A	CAP-DRAWER; WF0804Y8E/XEF,PP,T2.0,W27,L43	SA	1

1.1. FRAME & COVER PARTS

Exploded View



Parts List

No.	Lvl.	Loc.	Material Code	Description & Specification	SNA	Qty.
1	1	W0183	DC90-09576A	ASSY COVER TOP; SEINE,WF906U4SAWD/EF	SNA	1
1-1	2	G0425	6009-001476	SCREW-HEX; HEX,+,M5,L10,ZPC(WHT),SWRCH18A	SA	2
1-2	2	W0183	DC97-17058A	ASSY COVER TOP; SEINE,WF906U4SAWQ,WOOD+AB	SA	1
2	2	G0430	DC97-15809A	ASSY COVER BACK; GRIFFIN PJT,WF9904RWE/XE	SA	1
3	2	W0603	DC97-14653C	ASSY FIXER TUB; SCOUT,WF0804Y8E/XEF	SA	4
4	2	W0620	DC29-00015G	FILTER EMI; LFT-215G,250V,15,53*53*97,50/	SA	1
5	2	W0248	DC61-03343A	FRAME-PLATE(U); SEINE,GI-SGCC,T1.2,54,583	SA	1
6	2	W0630	DC61-02029A	SPRING ETC-HANGER; HEBA,HSWR,CD3.5,ID24.8	SA	2
7	2	W0506	DC97-16499M	ASSY FRAME; SEINE,WF906U4SAWQ,T0.8,WHITE,	SA	1

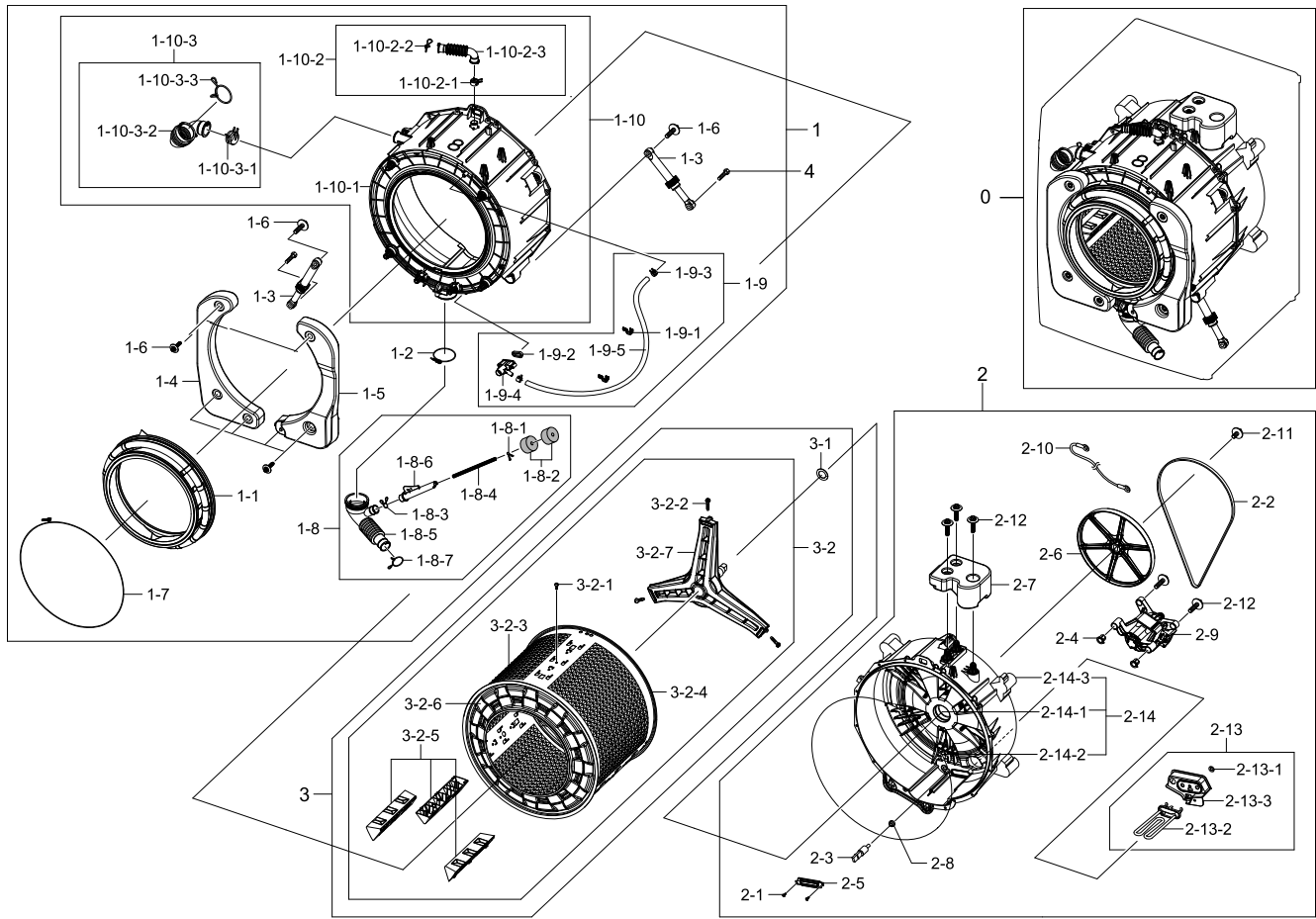
Exploded Views and Parts List

No.	Lvl.	Loc.	Material Code	Description & Specification	SNA	Qty.
7-1	3	W0244	DC61-02172E	FRAME; HEBA-COMBO,PCM(GI),-, -,DA WHT,T0.8	SNA	1
7-2	3		DC97-15689A	ASSY BRACKET SPRING(R); HEBA 8kg,HEBA-COM	SNA	1
7-2-1	4	W0140	DC61-02065A	GUIDE-SPRING; WF448AAG/XXA,POM,T4,W24,L25	SA	1
7-3	3		DC97-15690A	ASSY BRACKET SPRING(L); HEBA 8kg,HEBA-COM	SNA	1
7-3-1	4	W0140	DC61-02065A	GUIDE-SPRING; WF448AAG/XXA,POM,T4,W24,L25	SA	1
8	2	W0194	DC97-15696E	ASSY PUMP DRAIN; SCOUT-PJT,WF0804Y8E/XEF,	SA	1
8-1	3	M0022	DC31-00030A	PUMP-DRAIN; B20-6,220V,50Hz,-,HANYU	SA	2
8-2	3	W0615	DC61-00158A	CLAMPER HOSE; SW65ASP,SK5,ID23,T0.8/YEL	SA	2
8-3	3	W0479	DC61-02271B	CASE-PUMP; WF0804Y8E/XEF,PP,T2.5,W153.6,L	SA	1
8-4	3	W0213	DC63-00830A	COVER-PUMP; COVER-PUMP,PP,T2.1,W60.5,L75,	SA	2
8-5	3		DC63-00905A	CUSHION-PUMP; WF8802DPF/XET,NBR,-,W37.6,L	SA	1
8-6	3	G0054	DC63-10003C	ABSORBER SPONGE; SWF-P12,PU-FOAM,GRY	SA	1
8-7	3	U2015	DC67-00244C	HOSE-DRAIN; WF0804Y8E,EPDM,ID6,OD11,T2.5,	SA	1
8-8	3	G0053	DC67-00461A	HOSE-AIR TUB; SCOUT- PJT,EPDM,T1.5,BLK	SA	1
8-9	3		DC69-01128A	PACKING-PUMP; WF8804DP,RUB-OTH,BUTYL,T2.5	SA	1
8-10	3	W0224	DC93-00016C	ASSY WIRE HARNESS-PUMP; GRIFFIN,CIRCULTIO	SA	1
8-11	3	G0050	DC97-15695A	ASSY FILTER; GRIFFIN-PJT,WF9804RWE,PP+EPD	SA	1
8-11-1	4	W0633	DC63-00998A	FILTER-PUMP; WF8702LSW,PP,T2.0,W52.8,L93.	SA	1
8-11-2	4		DC64-01317A	HANDLE-FILTER; HANDLE-FILTER,PP,T2.5,W55,	SA	1
8-11-3	4		DC73-00022A	SEAL-PACKING; SEW-HVR149ATA,EPDM,BLK,40	SNA	1
8-12	3	W0615	DC65-00008A	CLAMPER HOSE; SEW-DR605,SK5,-, -,YEL,ID14.	SA	2
9	2	W0607	DC96-01703B	ASSY SENSOR PRESSURE; PURPLE PJT,PURPLE P	SA	1
10	2	W0613	DC61-10673A	CAP-DRAIN; SWF-P12,PP,-, -,NTR,-	SA	1
11	2	W0081	DC96-00146A	ASSY POWER CORD; UCP2,250V/16A,-,1500/EUR	SA	1
12	2	W0606	DC97-00920C	ASSY LEG; SEW-HW108,AUSTRALIA MODELS,L48.	SA	4

No.	Lvl.	Loc.	Material Code	Description & Specification	SNA	Qty.
13	2	W0604	DC97-02250S	ASSY HOSE DRAIN(O); HEBA-COMBO,WD8704DJF,	SA	1
15	2	W0080	DC93-00337E	ASSY M.GUIDE WIRE HARNESS; SEINE-F3,WF802	SA	1
16	2	W0470	DC92-01119D	ASSY PCB MAIN; SEINE F3,Y,SMPS	SA	1
17	2		DC63-01464A	COVER PCB; SEINE,ABS,T2.5,W298,L152	SA	1
18	2	W0643	DC26-00009D	TRANS-REACTORV; SEW-3HR105,220V-240V,3A,2	SA	1
19	2	W0105	6002-001306	SCREW-TAPPING; TH,+,1,M4,L14,ZPC(WHT),SWR	SA	1
20	2	G0415	DC61-00274C	GUIDE-HOSE; P/PV/M,PP,BLK,FRAME/DRAIN-HOS	SA	1

1.2. ASSY TUB & DRUM

Exploded View



Parts List

No.	Lvl.	Loc.	Material Code	Description & Specification	SNA	Qty.
1	1	G0048	DC90-09586A	ASSY TUB FRONT; SEINE,WF906U4SAWD/EF	SNA	1
1-1	2	W0234	DC64-01602A	DOOR-DIAPHRAGM; HEBA-PJT,EPDM,T2.0,-,-,-,	SA	1
1-2	2	W0744	DC65-00021A	CLAMPER HOSE-JOINT; HEBA PJT,HSWR,-,ID74/	SA	1
1-3	2	W0618	DC66-00531C	DAMPER-SHOCK; HEBA,STEEL+PP+RUBBER,80N,W2	SA	2
1-4	2		DC67-00628B	WEIGHT-BALANCE(L); SEINE,CONCRETE,T45,W24	SA	1
1-5	2		DC67-00629B	WEIGHT-BALANCE(R); SEINE,CONCRETE,T45,W24	SA	1
1-6	2	W0601	DC97-14263A	ASSY BOLT; HEBA-PJT,MOTOR/BOLT(M8)+WASHER	SA	8
1-7	2	M0038	DC97-14618A	ASSY CLAMP DIAPHRAGM; WF8804DP,OD2.0/L243	SA	1

No.	Lvl.	Loc.	Material Code	Description & Specification	SNA	Qty.
1-8	2	W0605	DC97-14637C	ASSY HOSE PRESSURE; HEBA-COMBO,WD8704DJF,	SA	1
1-8-1	3	M0005	DC61-70029C	SPRING-CLIP; SEW-HW125,HSWR,CD1.2,ID8.3,O	SA	1
1-8-2	3	G0054	DC63-10003C	ABSORBER SPONGE; SWF-P12,PU-FOAM,GRY	SA	1
1-8-3	3	W0610	DC65-60125B	CLIP-RING; HSWR,T2.4,PI25,YEL	SNA	1
1-8-4	3	W0725	DC67-00230E	HOSE-WATER; WD8704,TPE,ID4.5,OD8.0,T1.75,	SNA	1
1-8-5	3	W0625	DC67-00293A	HOSE-FILTER TUB; HEBA-PJT,EPDM,-,-,T2.5,-	SNA	1
1-8-6	3		DC67-00297A	HOSE-JOINT AIR; HEBA & Aegis-PJT,PP,ID22,OD	SNA	1
1-8-7	3	W0610	DC72-00001H	CLIP-RING; HEBA-PJT,HSWR,PI3.0,ID35,WHT,H	SNA	1
1-9	2	G0421	DC97-15993A	ASSY HOSE-CIRCULATION; SCOUT,WF0804Y8E,EP	SA	1
1-9-1	3	G0415	DC61-02646A	GUIDE-HOSE; WF0804Y8E,PP,T2.0,W10.0,L36.6	SNA	2
1-9-2	3	G0051	DC62-00296A	SEAL-CONNECTOR; WF0804Y8E,EPDM,W9.5,L45.3	SA	1
1-9-3	3	W0615	DC65-00008A	CLAMPER HOSE; SEW-DR605,SK5,-,-,YEL,ID14.	SA	2
1-9-4	3	G0055	DC67-00462A	HOSE-CONNECTOR; WF0804Y8E,PP,NTR,SCOUT-PJ	SNA	1
1-9-5	3	G0052	DC67-00471A	HOSE-CIRCULATION; WF0804Y8E,EPDM,ID9.0,OD	SNA	1
1-10	2	W0636	DC97-16129C	ASSY SEMI TUB FRONT; SEINE,WF906U4SAWQ,9k	SNA	1
1-10-1	3	W0632	DC61-01932D	TUB-FRONT; HEBA PJT,FRPP,ID528,OD575,NTR,	SA	1
1-10-2	3	G0422	DC97-14873A	ASSY HOSE AIR; WF8804DP,-,HOSE-AIR+BAND-R	SA	1
1-10-2-1	4	W0615	DC61-00158A	CLAMPER HOSE; SW65ASP,SK5,ID23,T0.8/YEL	SA	1
1-10-2-2	4	F0100	DC65-60118J	CLIP-RING; HSWR,WHT,PI2.0/ID23	SA	1
1-10-2-3	4	W0437	DC67-00298A	HOSE-AIR; HEBA PJT,EPDM,-,-,T2.5,-,BLK,-	SA	1
1-10-3	3	G0043	DC97-14874D	ASSY HOSE DRAWER; SEINE,WF906U4SAWQ,HOSE	SA	1
1-10-3-1	4	W0615	DC61-00219G	CLAMPER HOSE; HEBA BIGBANG,SK5,ID37/OD39/	SNA	1
1-10-3-2	4	W0624	DC67-00648A	HOSE-DRAWER TUB; WF906U4SAWQ,EPDM,ID48.0,	SA	1
1-10-3-3	4	W0610	DC72-00001G	CLIP-RING; HEBA-PJT,HSWR,T2.4,ID49.5,W18,	SA	1
2	1	W0501	DC90-09580A	ASSY TUB BACK; SEINE,WF906U4SAWD/EF	SNA	1
2-1	2	W0105	6002-000215	SCREW-TAPPING; TH,+,NO,1,M4,L16,ZPC(WHT),	SNA	2
2-2	2	W0209	6602-001497	BELT-TIMING GEAR; -,RUBBER(GATES),T3.4,-,	SA	1

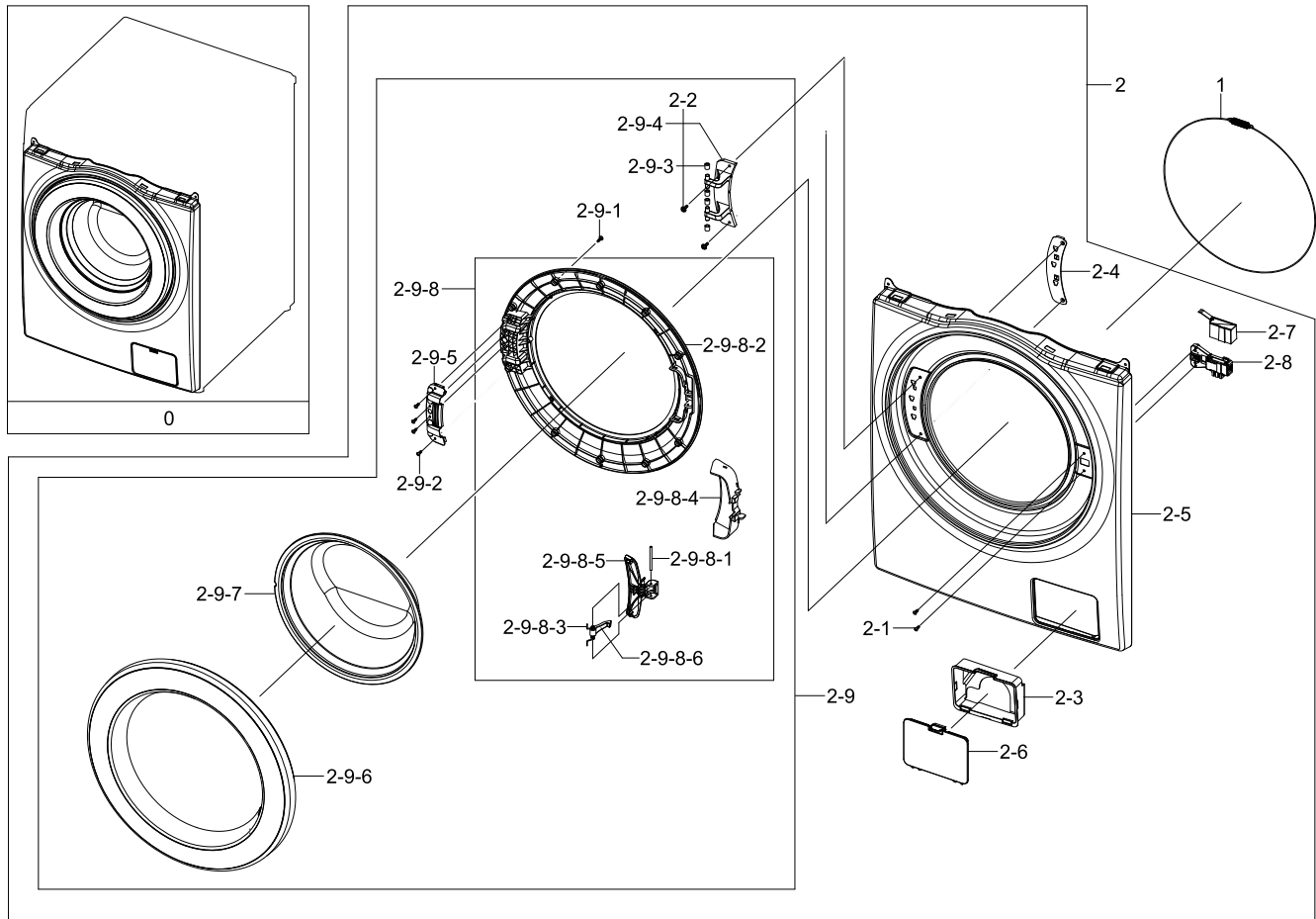
Exploded Views and Parts List

No.	Lvl.	Loc.	Material Code	Description & Specification	SNA	Qty.
2-3	2	M0487	DC32-00010C	THERMISTOR; 11982OHM AT 25-55~155,5,1	SA	1
2-4	2		DC61-02549A	BUSH-MOTOR; HEBA BIGBANG,NYLON,ID16,OD19,	SA	2
2-5	2	W0230	DC61-02664A	BRACKET-HEATER; HEBA,STAINLESS-ST5430,T0.	SA	1
2-6	2	W0088	DC66-00500A	PULLEY-MOTOR; HEBA PJT,ALDC12.2,OD296.8,1	SA	1
2-7	2		DC67-00627B	WEIGHT-BALANCE(U); HEBA,SCOUT,GRIFFIN,CON	SA	1
2-8	2	M0028	DC69-00824A	PACKING-THERMISTOR; GW-PJT,EPDM,EPDM,-,W1	SA	1
2-9	2		DC93-00316A	ASSY MOTOR-BLDC; ARNO,WDM500FGB,F,DC310V,	SA	1
2-10	2	W0503	DC96-01327B	ASSY WIRE HARNESS; HEBA-PJT,-,-,TUB EARTH	SA	1
2-11	2	W0601	DC97-06080A	ASSY BOLT; SEW-3HR107,BOLT+WASHER,-,-,-	SA	1
2-12	2	W0601	DC97-14263A	ASSY BOLT; HEBA-PJT,MOTOR/BOLT(M8)+WASHER	SA	8
2-13	2	G0420	DC97-14827G	ASSY HEATER; SEPM,230V/ 2000W,CERAMIC/ NT	SNA	1
2-13-1	3	W0110	6031-001531	WASHER-PLAIN; SCP1,ID7,OD14,T1.2,ZPC2(YEL	SA	1
2-13-2	3	W0237	DC47-00033A	HEATER-WASH; HEBA,SUS316L+CERAMIC COATING	SA	1
2-13-3	3	W0235	DC63-00889C	COVER-HEATER; HEBA_120V,ABS+PC,T3.0,W160.	SA	1
2-14	2	W0501	DC97-15440A	ASSY TUB BACK; HEBA,WF8804,8.0kg,PP,-,-	SA	1
2-14-1	3	W0148	DC62-00008A	SEAL-OIL; NBR,BLK,NBU(PI15)	SA	1
2-14-2	3	W0740	DC69-01154A	PACKING-TUB; WF8804DP,EPDM,EPDM,T5.0,-,L1	SA	1
2-14-3	3	G0029	DC97-15011E	ASSY SEMI TUB BACK; HEBA,WF8804,8.0kg,FRP	SNA	1
3	1	W0165	DC90-09581A	ASSY DRUM; SEINE,WF906U4SAWD/EF	SNA	1
3-1	2		DC60-00069A	SPACER; WR-HA139WA,STS304,ID30.2,-,-,SILV	SNA	1
3-2	2	W0165	DC97-14371B	ASSY DRUM; HEBA,WF8804DPF,598*850,1400RPM	SA	1
3-2-1	3	W0105	6002-001435	SCREW-TAPPING; TH,+2,M4,L12,PASS,STS430	SNA	3
3-2-2	3	G0049	DC60-40137A	BOLT-HEX; MARS-PJT,STS430,M8,P1.25,L30,HE	SA	3
3-2-3	3		DC66-00491A	DRUM-WRAPPER; HEBA PJT/8.0kg,STAINLESS-ST	SNA	1
3-2-4	3	W0747	DC66-00492C	DRUM-BACK; HEBA PJT,STAINLESS-ST5430,ID48	SNA	1
3-2-5	3	W0619	DC66-00493A	DRUM-LIFTER; HEBA PJT,PP-TI42,L247.5,NTR,	SA	3

No.	Lvl.	Loc.	Material Code	Description & Specification	SNA	Qty.
3-2-6	3	W0748	DC66-00489B	DRUM-FRONT; HEBA PJT(8kg),STS430,ID310.7,	SNA	1
3-2-7	3	W0164	DC97-14369A	ASSY FLANGE SHAFT; HEBA PJT,7KG/6206/6205	SNA	1
4	2	G0049	6011-001644	BOLT-HEX; M10,L35,ZPC2(YEL),SM10C,DAMPER	SA	2

1.3. ASSY FRONT

Exploded View



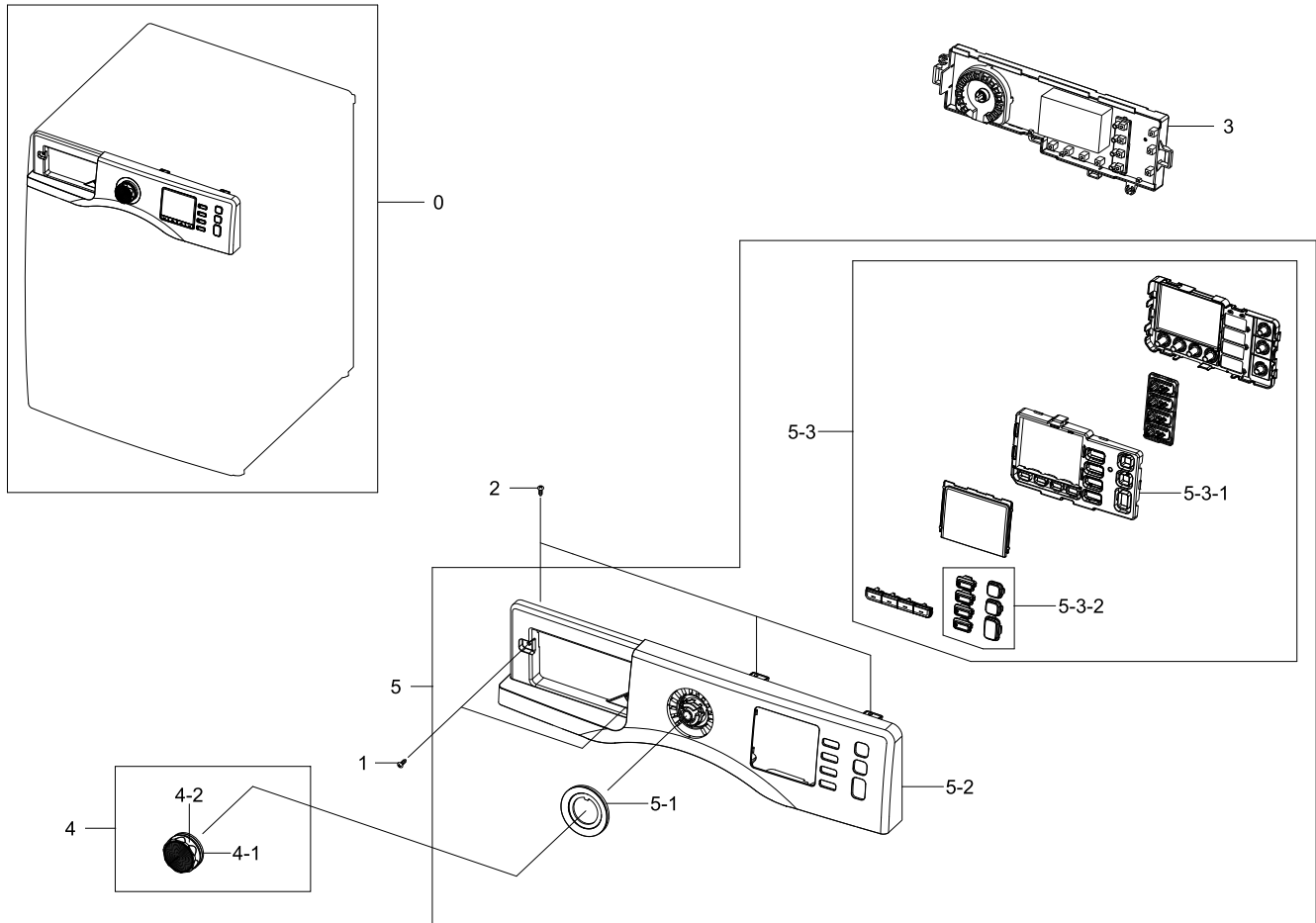
Parts List

No.	Lvl.	Loc.	Material Code	Description & Specification	SNA	Qty.
0	1		DC90-09579A	ASSY FRONT; SEINE,WF906U4SAWD/EF	SNA	1
1	2	W0608	DC91-12078D	ASSY WIRE DIAPHRAGM; HEBA-PJT,-,-,-,-,-	SA	1
2	2	W0253	DC97-17061A	ASSY FRAME FRONT; SEINE,WF906U4SAWQ	SNA	1
2-1	3	W0105	6002-001435	SCREW-TAPPING; TH,+,2,M4,L12,PASS,STS430	SNA	3
2-2	3	G0425	6009-001522	SCREW-HEX; HEX,+,-,M5,L16,PASS,STS430,FP,	SA	2
2-3	3	W0228	DC61-01917A	GUIDE-FILTER; WF8804DP,HIPS,T2.5,W300,L20	SA	1
2-4	3	W0226	DC61-01919A	BRACKET-HINGE; WF8804DP,GI,T1.4,W30,L161,	SA	1
2-5	3	W0249	DC61-03345A	FRAME-FRONT; SEINE,GI-SGCC,WHT,T0.8,W595,	SA	1
2-6	3	W0516	DC63-00854A	COVER-FILTER; WF8804DP,ABS,T2.0,W300,L200	SA	1
2-7	3	W0435	DC63-00967A	COVER-DOOR SWITCH; AEGIS-PJT/ WF8500NHW,P	SA	1

No.	Lvl.	Loc.	Material Code	Description & Specification	SNA	Qty.
2-8	3	W0225	DC64-01538A	DOOR-LOCK S/W; ZV-446L5,PA66,T19.5,W95,BL	SA	1
2-9	3	W0459	DC97-14343Y	ASSY DOOR; SCOUT,WF0804Y8E,ABS,ONE PIECE	SC	1
2-9-1	4	W0105	6002-000444	SCREW-TAPPING; TH,+,2,M4,L14,PASS,STS430	SA	10
2-9-2	4	W0105	6002-001306	SCREW-TAPPING; TH,+,1,M4,L14,ZPC(WHT),SWR	SA	3
2-9-3	4	W0220	DC61-00891A	GUIDE-HINGE; HAUZEN(DOM),POM,-,-, WHT,HI	SA	4
2-9-4	4	W0219	DC61-01910A	HINGE-DOOR; WF8804DP,ALDC,T8,W45.5,L155,Z	SA	1
2-9-5	4	W0754	DC61-01915B	BRACKET-HOLDER; WF8804DP,GI,T1.2,W45,L160	SA	1
2-9-6	4	W0440	DC63-01416A	COVER-DOOR; WF0904W8N,ABS,T2.5,D480,CR,SC	SC	1
2-9-7	4	W0448	DC64-01521A	DOOR-GLASS; WF8804DP,NON-HeatTreatment GL	SA	1
2-9-8	4	W0454	DC97-15375A	ASSY HOLDER GLASS; HEBA,ALL,PP,T3.0,480*4	SNA	1
2-9-8-1	5	G0426	6043-001093	PIN-PARALLEL(KEY); A,OD3,L40,PASS,STS204	SA	1
2-9-8-2	5	G0427	DC61-01909A	HOLDER GLASS; WF8804DP,PP,T3.0,W479.5,L47	SA	1
2-9-8-3	5	W0142	DC61-02027A	SPRING ETC-LEVER; STAINLESS-STS304,CD1.2,	SA	1
2-9-8-4	5	W0173	DC63-00853D	COVER-HANDLE; HIPS,T2.5,W60,NOBLE GREY	SA	1
2-9-8-5	5	W0722	DC64-01524A	HANDLE DOOR; WF8804DP,ABS,T2.5,W43,L113,G	SA	1
2-9-8-6	5	W0474	DC66-00497C	LEVER-DOOR; WF8804DP,ZNDC,T10,W10,L46	SA	1

1.4. ASSY PANEL CONTROL

Exploded View



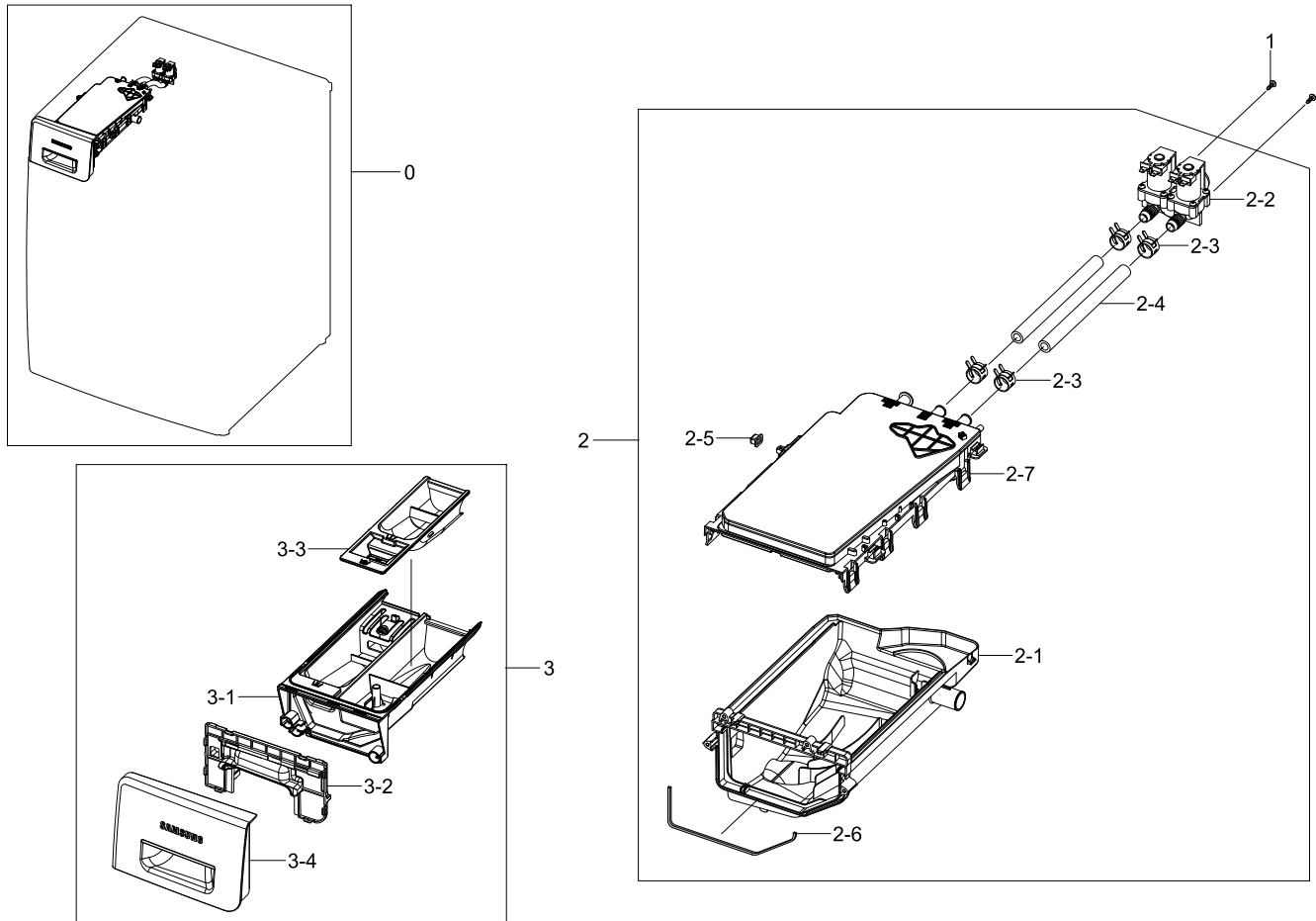
Parts List

No.	Lvl.	Loc.	Material Code	Description & Specification	SNA	Qty.
0	1	W0478	DC90-09928A	ASSY PANEL CONTROL; SEINE,WF906U4SAWQ/EC	SNA	1
1	2	W0105	6002-000445	SCREW-TAPPING; TH,+2,M4,L18,PASS,STS304	SA	2
2	2	W0105	6002-000520	SCREW-TAPPING; TH,+,-,2,M4,L12,ZPC(WHT),S	SNA	3
3	2	W0469	DC92-01057B	ASSY PCB SUB; Seine Best SUB,9kg,230V/50H	SA	1
4	2	W0475	DC97-16996A	ASSY KNOB ENCODER; BAIKAL-PJT,WF702Y4BKWD	SA	1
4-1	3	W0193	DC64-01927B	KNOB-ENCODER; WF702Y4BKWQ/LP,ABS,T2.5,W49	SNA	1
4-2	3	W0456	DC64-02800A	DECORATION-ENCODER; BAIKAL-PJT,ABS,T2.5,N	SNA	1
5	2	W0478	DC97-17066M	ASSY PANEL CONTROL; SEINE,WF906U4SAWQ/EC,	SA	1
5-1	3	G0443	DC64-02600A	WINDOW-ENCODER; WF1802XEC/YLP,PC,T1.5,GRA	SNA	1

No.	Lvl.	Loc.	Material Code	Description & Specification	SNA	Qty.
5-2	3	W0181	DC64-02794A	PANEL-CONTROL; SEINE,ABS,3.0,W594,L81,H15	SNA	1
5-3	3	G0431	DC97-16543Y	ASSY BUTTON; SEINE,WF806U4SAQW,BEST,WHTIE	SA	1
5-3-1	4		DC63-01308A	COVER-BUTTON(U); WF1802XEC/YLP,ABS,T1.5,D	SNA	1
5-3-2	4	W0196	DC64-02593A	BUTTON-PUSH(F); WF1802XEC/YLP,ABS,DA-WHIT	SNA	1

1.5. ASSY DRAWER

Exploded View



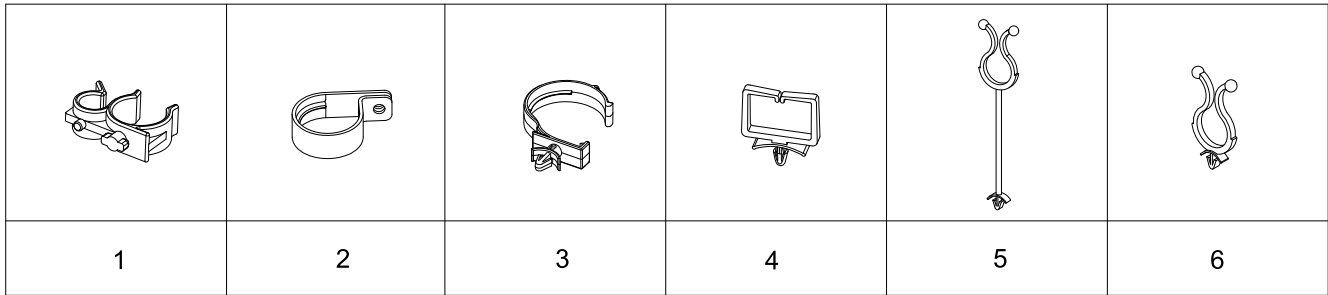
Parts List

No.	Lvl.	Loc.	Material Code	Description & Specification	SNA	Qty.
0	1	W0216	DC90-09577A	ASSY DRAWER; SEINE,WF906U4SAWD/EF	SNA	1
1	2	F0055	6003-000226	SCREW-TAPTYPE; TH,+,-,S,M4,L8,ZPC(WHT),SW	SC	2
2	2	W0163	DC97-16005Q	ASSY HOUSING DRAWER; SCOUT,WF0804Y8E,COLD	SA	1
2-1	3	G0414	DC61-02434A	HOUSING-DRAWER L; HEBA-PJT,PP,T1.8,NTR	SA	1
2-2	3	W0078	DC62-00024M	VALVE-WATER; V7-PJT,NYLON,2WAY,MAX 10BAR,	SA	1
2-3	3	W0615	DC65-00008A	CLAMPER HOSE; SEW-DR605,SK5,-,-,YEL,ID14.	SA	2
2-4	3	W0151	DC67-00051P	HOSE-DRAWER; SCOUT,EPDM,ID9.0,OD14.5,L210	SA	2
2-5	3		DC67-00327A	CAP-DRAWER HOOK; HEBA-PJT,EPDM,T1.1,W13.9	SA	1
2-6	3	G0054	DC72-00021A	ABSORBER SPONGE; Q1635V,PE-FOAM,OD6,L170,	SNA	1

No.	Lvl.	Loc.	Material Code	Description & Specification	SNA	Qty.
2-7	3	W0497	DC97-16006A	ASSY S.HOUSING DRAWER; SCOUT,WF0804Y8E,PP	SA	1
3	2	W0216	DC97-17059A	ASSY DRAWER; SEINE,WF906U4SAWQ	SA	1
3-1	3	W0156	DC61-02580A	BODY-DRAWER; WF0800NCE,PP,T2.0,L265,W154,	SA	1
3-2	3	W0218	DC64-02791A	HANDLE-DRAWER; SEINE,ABS,T2.0,W181.0,L107	SA	1
3-3	3	W0215	DC67-00452A	CAP-RINSE; WF0800NCE,PP,T2.0,W66.5,L219,E	SA	1
3-4	3	W0158	DC97-17062A	ASSY PANEL DRAWER; SEINE,WF906U4SAWQ,HOT	SNA	1

1.6. SMALL PARTS

Exploded View



Parts List

No.	Lvl.	Loc.	Material Code	Description & Specification	SNA	Qty.
1	2	W0616	DC61-00133A	CLAMPER HOSE-FIX; P1291,PP,ID24.5,OD29.5,	SA	1
2	2	W0616	DC61-00118A	CLAMPER HOSE-FIX; P1291,NYLON66,ID27,OD30	SA	1
3	2	W0623	DC61-02879A	HOLDER-WIRE; WF8804CPA,PA,L58.6,NATURAL	SA	1
4	2	W0623	DC61-60074A	HOLDER-WIRE; PA,NTR,NYLON#66(DAWS-6NB)	SA	2
5	2	W0623	DC61-00995C	HOLDER-WIRE; HEBA-PJT,Others,ID26,W6,L145	SA	1
6	2	W0623	DC61-40081A	HOLDER-WIRE; DAWH-2NC,PA,NTR(PI19.4)	SA	8