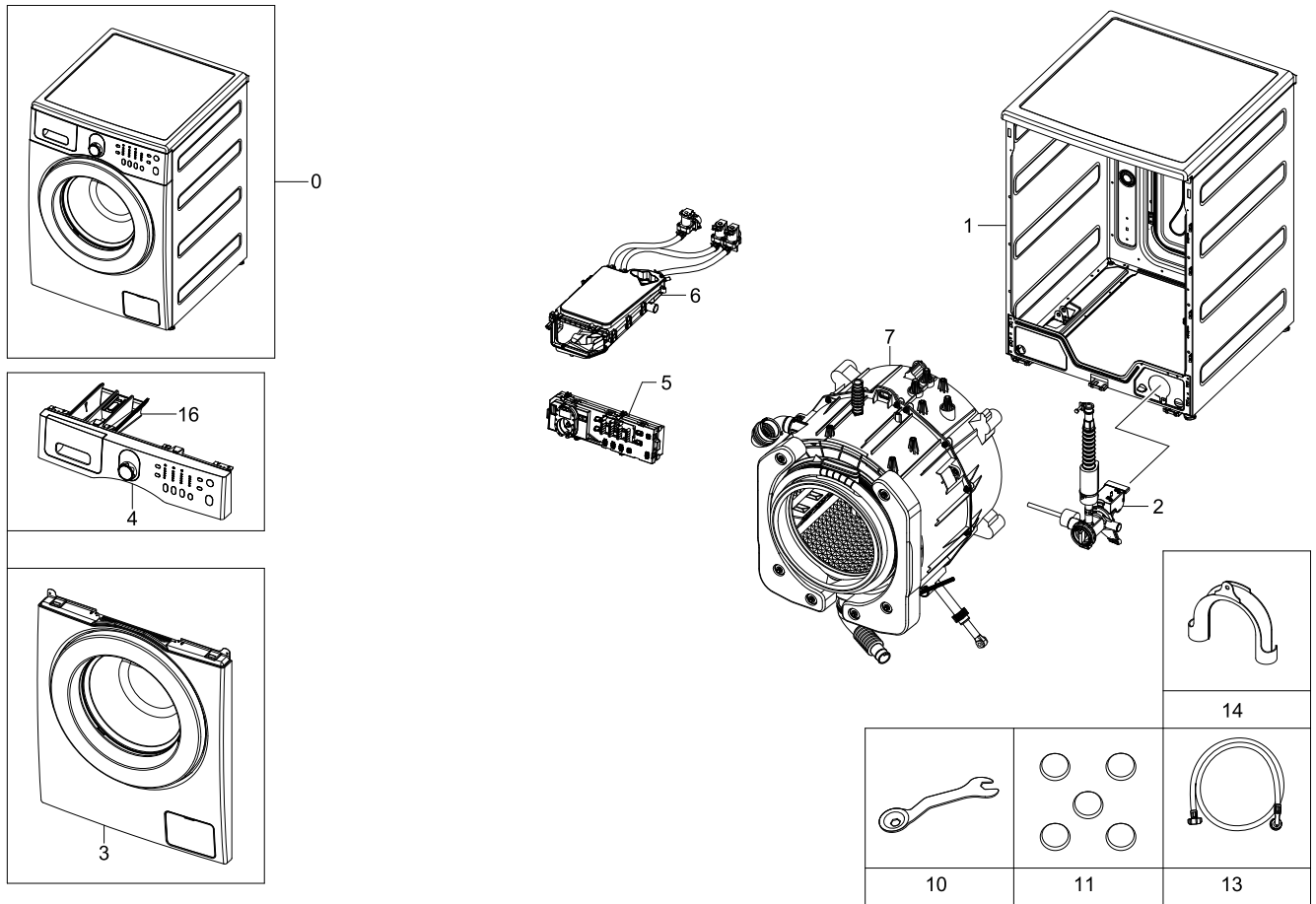


1. Main

Exploded View



Parts List

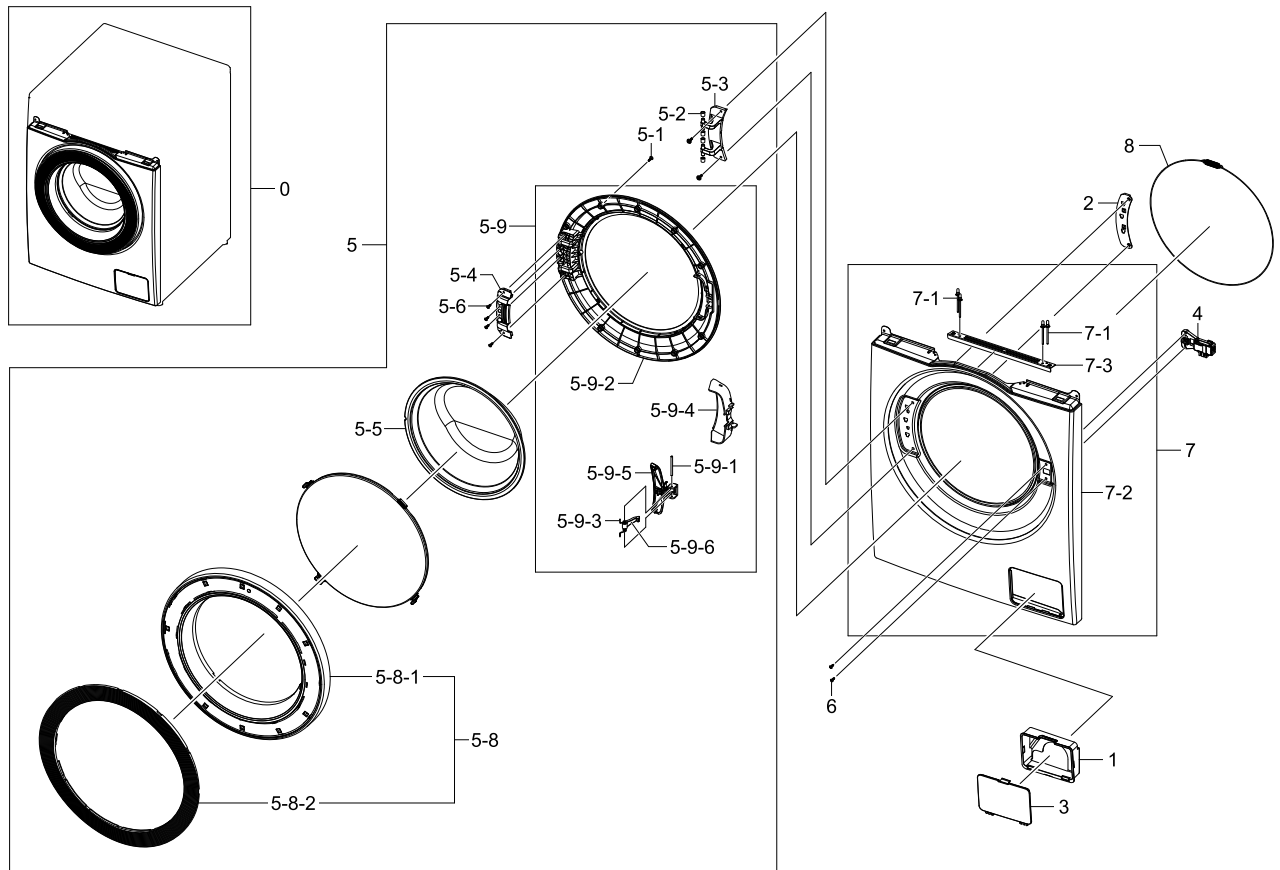
No.	Lvl.	Loc.	Material Code	Description & Specification	SNA	Qty.
1	2	WF0004	DC97-14657E	ASSY FRAME; HEBA,WF8804,PCM,T0.8,-,WHITE	SA	1
2	2	WU5124	DC96-01533B	ASSY PUMP DRAIN; HEBA-PJT,WF8802,NO AIR V	SA	1
3	3	WD0003	DC97-15005A	ASSY DOOR; -,J1488/HAC,-,-,-,WHT	SA	1
4	2	WC0016	DC97-14577M	ASSY PANEL CONTROL; HEBA,WF8800LPW/XEC,HI	SA	1
5	2	WZ0010	DC92-00172E	ASSY PCB MAIN; HEBA-BEST(WF8800LP),MF-HWQ	SA	1
6	2	WR0008	DC97-14654B	ASSY HOUSING DRAWER; WF8804DP,HEBA-PJT/CO	SNA	1
7	1	WG0013	DC90-00047A	ASSY TUB & DRUM; HEBA,WF8800LPW/XEC	SNA	1
10	2	WJ5077	DC60-40146A	BOLT-SPANER; CR,T2.5,-	SA	1
11	2	WA5001	DC67-00307A	CAP-FIXER; WF438AAC/XAA,PP,T1.5,BLK,RM60	SC	4
13	3	WH5226	DC67-00230B	HOSE-WATER; WF8800,TPE,ID4.5,OD8.0,T1.75,	SC	1

Exploded Views and Parts List

No.	Lvl.	Loc.	Material Code	Description & Specification	SNA	Qty.
14	2	WH5379	DC62-10278A	HOSE-HANGER; PUMP MODEL,PP,BLACK	SA	1
16	2	WR0005	DC97-15040A	ASSY DRAWER; WF8804DP,HEBA/WHT,-,-,-	SA	1

1.1. Assy FrameFront&Door

Exploded View



Parts List

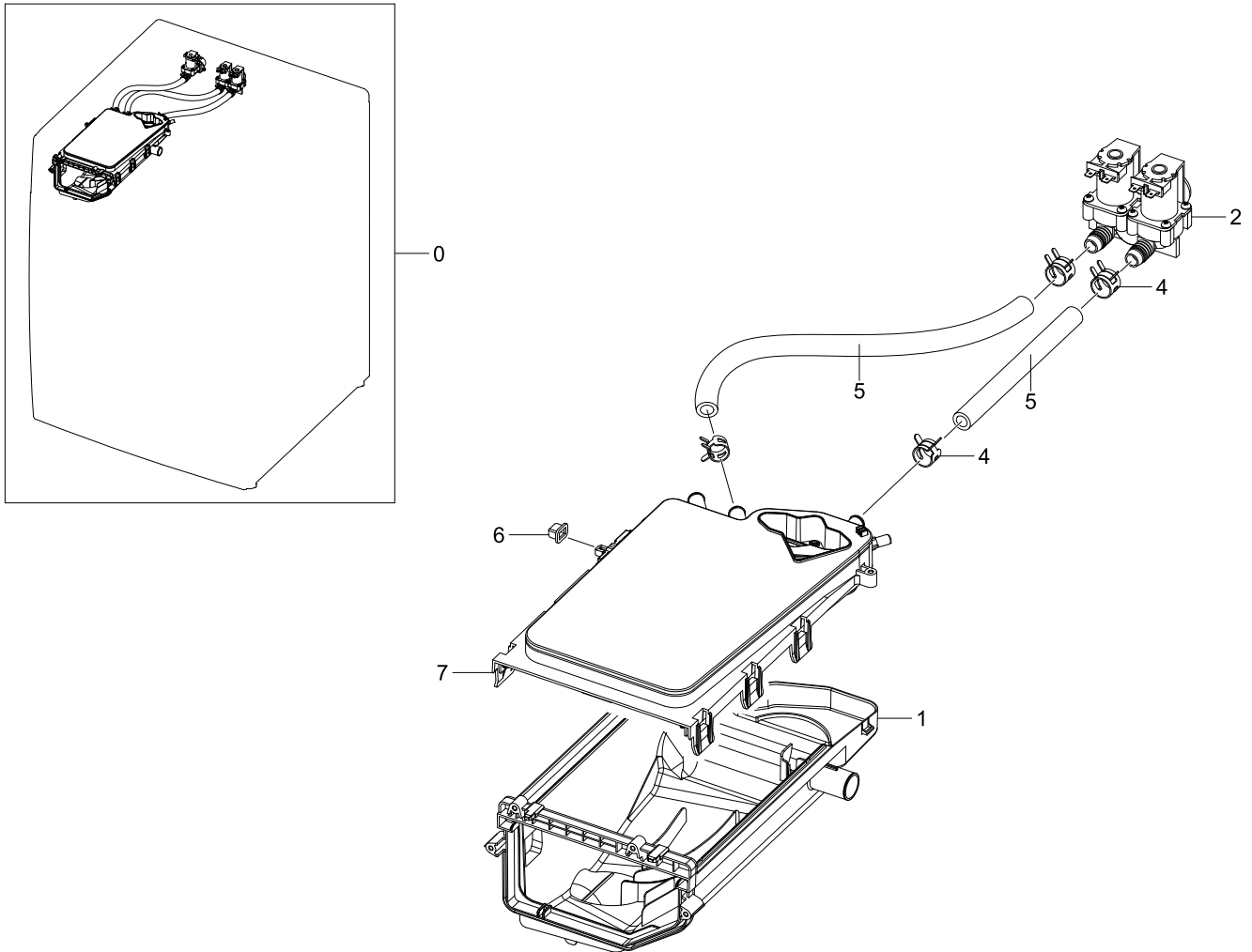
No.	Lvl.	Loc.	Material Code	Description & Specification	SNA	Qty.
0	2	WF0005	DC97-15006A	ASSY FRAME FRONT; -,J1488/HAC,DA WHITE DO	SNA	1
1	3	WI0248	DC61-01917A	GUIDE-FILTER; WF8804DP,HIPS,T2.5,W149.2,L	SA	1
2	3	WP0101	DC61-01919A	BRACKET-HINGE; WF8804DP,GI-SGCC,T1.4,L161	SA	1
3	3	WI0167	DC63-00854A	COVER-FILTER; WF8804DP,ABS,T2.0,W150.7,L1	SA	1
4	3	WE0067	DC64-01538A	DOOR-LOCK S/W; ZV-446L5,PA,W95,L52,WHITE,	SA	1
5	3	WD0003	DC97-15005A	ASSY DOOR; -,J1488/HAC,-,-,-,WHT	SA	1
5-1	4	WX0621	6002-000444	SCREW-TAPPING; TH,+2,M4,L14,PASS,STS430	SA	12
5-2	4	WD0090	DC61-00891A	GUIDE-HINGE; HAUZEN(DOM),POM,-,-,-,WHT,HI	SA	4
5-3	4	WD0096	DC61-01910A	HINGE-DOOR; WF8804DP,ALDC,T8,W45.5,L155,Z	SC	1
5-4	4	WP0103	DC61-01915B	BRACKET-HOLDER; WF8804DP,GI-SGCC,T1.2,N/A	SA	1

Exploded Views and Parts List

No.	Lvl.	Loc.	Material Code	Description & Specification	SNA	Qty.
5-5	4	WD0070	DC64-01521A	DOOR-GLASS; WF8804DP,GLASS,T5.0,H120.5,NA	SA	1
5-6	4	WX0622	6002-001306	SCREW-TAPPING; TH,+,1,M4,L14,ZPC(WHT),SWR	SA	4
5-8	4	WD0037	DC63-00856A	COVER-DOOR; WF8804DP,ABS,T3.0,W480,L480,-	SA	1
5-8-1	4	WD0037	DC63-00856A	COVER-DOOR; WF8804DP,ABS,T3.0,W480,L480,-	SA	1
5-8-2	4	WC0077	DC64-01536B	DECORATION-ENCODER; HEBA-PJT,PC,T1.0,W41.	SNA	1
5-9	4	WD0010	DC97-15375B	ASSY HOLDER GLASS; HEBA,ALL,PP,T3.0,480*4	SNA	1
5-9-1	5	WJ0064	6043-001093	PIN-PARALLEL(KEY); A,OD3,L40,PASS,STS204	SA	1
5-9-2	5	WD0104	DC61-01909A	HOLDER GLASS; WF8804DP,PP,T3.0,W479.5,L47	SA	1
5-9-3	5	WD0130	DC61-02027A	SPRING ETC-LEVER; STAINLESS-STS304,CD1.2,	SA	1
5-9-4	5	WI0175	DC63-00853B	COVER-HANDLE; WF8804LSW,ABS,T2.5,W60,L125	SA	1
5-9-5	5	WD0094	DC64-01524B	HANDLE-DOOR; WF8804LSW,ABS,T2.5,W25,L125,	SA	1
5-9-6	5	WD0114	DC66-00497A	LEVER-DOOR; WF8804DP,ZNDC,T10,W10,L46,NI	SC	1
6	2	WX0412	6002-000213	SCREW-TAPPING; TH,+,1,M4,L12,ZPC(WHT),SWR	SNA	4
7	3	WF0006	DC97-15021A	ASSY FRAME FRONT(S); HEBA-PJT,-,-,-,DA	SC	1
7-1	4	WJ0072	6041-001035	RIVET-RH; K1661-0512,AL(A5052),OD3.9,L11,	SNA	8
7-2	4	WF0082	DC61-01916A	FRAME-FRONT; WF8804DP,EGI-SECC,WHT,T0.8,W	SNA	1
7-3	4	WP0095	DC61-01981A	BRACKET-FRAME; WF8804DP,GI-SGCC,T0.8,W20,	SA	1
8	2	WJ0008	DC91-12078D	ASSY WIRE DIAPHRAGM; HEBA-PJT,-,-,-,-	SA	1

1.2. Assy Housing Drawer

Exploded View

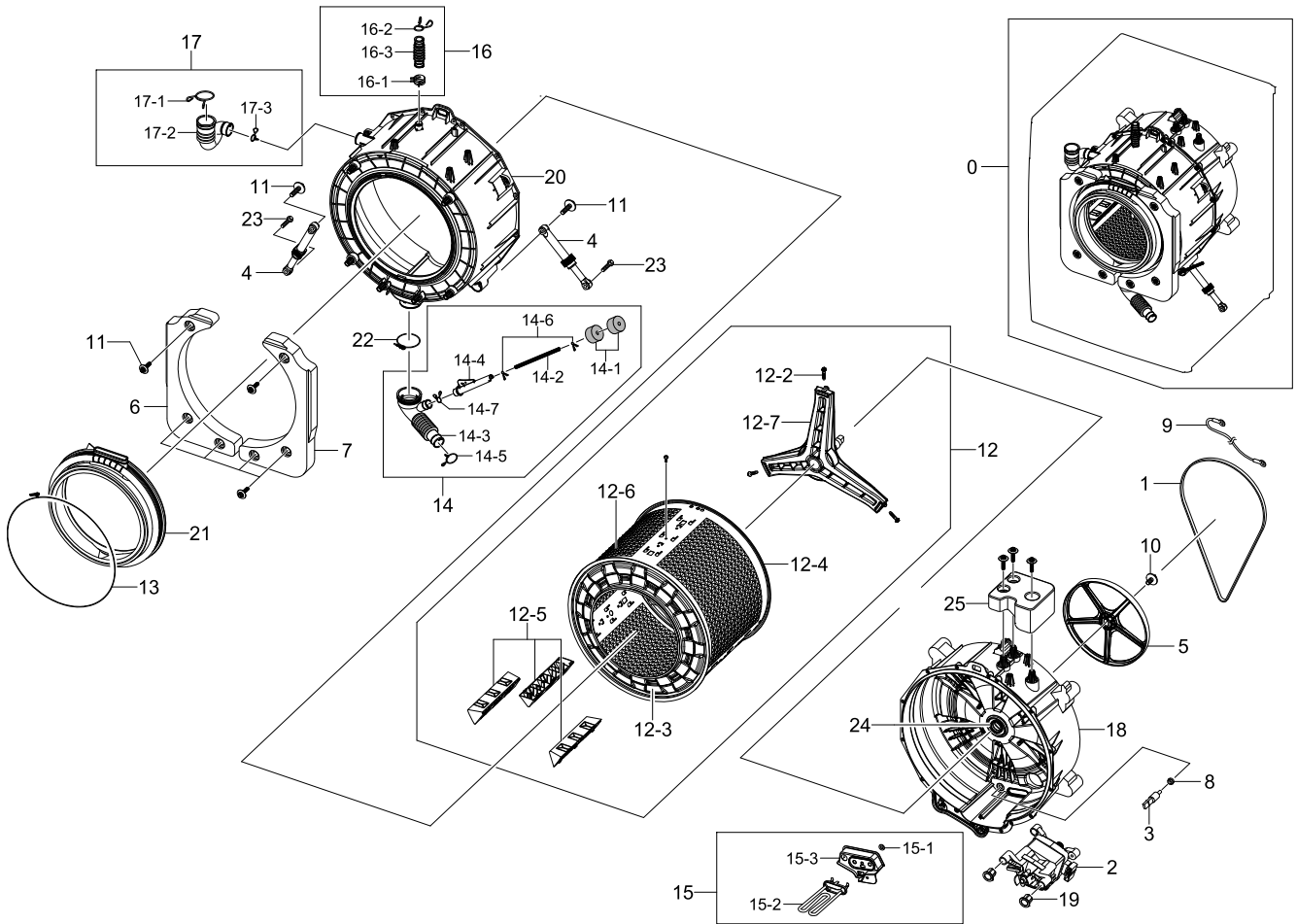


Parts List

No.	Lvl.	Loc.	Material Code	Description & Specification	SNA	Qty.
0	2	WR0008	DC97-14654B	ASSY HOUSING DRAWER; WF8804DP,HEBA-PJT/CO	SNA	1
1	3	WR0050	DC61-02434A	HOUSING-DRAWER L; HEBA-PJT,PP,T1.8,NTR	SA	1
2	3	WE5155	DC62-00024F	VALVE-WATER; DRUM,PA66,-,-,349,NTR,220-24	SC	1
4	3		DC65-00008A	CLAMPER HOSE; SEW-DR605,SK5,-,ID14.2/T0.9	SNA	4
5	3	WH5267	DC67-00051B	HOSE-DRAWER; Q1636GW/XEU,EPDM,ID9.0,OD14.	SA	0
6	3		DC67-00327A	CAP-DRAWER HOOK; HEBA-PJT,EPDM,T1.1,W13.9	SNA	1
7	3	WR0012	DC97-14656B	ASSY S.HOUSING DRAWER; HEBA-PJT,-,PP,8kg,	SA	1

1.3. Assy Tub&Drum

Exploded View



Parts List

No.	Lvl.	Loc.	Material Code	Description & Specification	SNA	Qty.
0	1	WG0013	DC90-00047A	ASSY TUB & DRUM; HEBA,WF8800LPW/XEC	SNA	1
1	2	WS0060	6602-001497	BELT-TIMING GEAR; RUBBER(GATES),T3.2,1270	SA	1
2	2	WG0065	DC31-00002M	MOTOR UNIVERSAL-DRUM; MCC 52/64-148/SEC4,	SA	1
3	2	WE5178	DC32-00010A	THERMISTOR; -,11982OHM AT 25-,-55~155	SA	1
4	2	WB5201	DC66-00343D	DAMPER-SHOCK; GW-PJT,STEEL+PP+RUBBER,80N,	SC	2
5	2	WS0109	DC66-00530A	PULLEY-MOTOR; HEBA-PJT,ALDC,OD296.8,6-WIN	SA	1
6	2	WB0055	DC67-00532A	WEIGHT-BALANCER(F/R); WF0800,CONCRETE,T45	SA	1
7	2	WB0056	DC67-00531A	WEIGHT-BALANCER(F/L); WF0800,CONCRETE,T45	SA	1

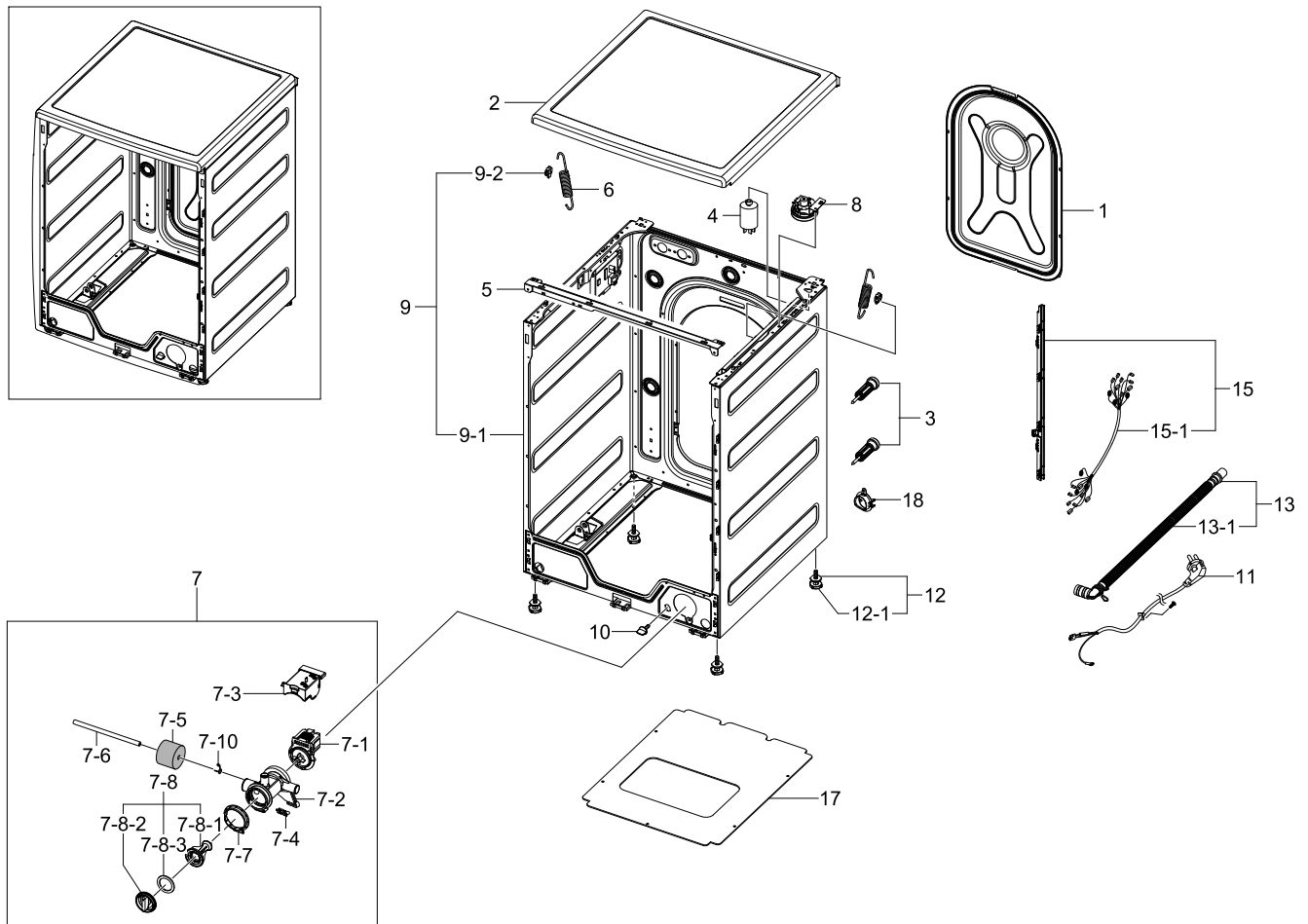
No.	Lvl.	Loc.	Material Code	Description & Specification	SNA	Qty.
8	2	WE0115	DC69-00824A	PACKING-THERMISTOR; GW-PJT,EPDM,-,-,W17,H	SA	1
9	2	WW5082	DC96-01327B	ASSY WIRE HARNESS; HEBA-PJT,-,-,TUB EARTH	SA	1
10	2	WJ5031	DC97-06080A	ASSY BOLT; SEW-3HR105,BOLT+WASHER	SA	1
11	2	WJ5013	DC97-14263A	ASSY BOLT; HEBA-PJT,MOTOR/BOLT(M8)+WASHER	SA	3
12	2	WG0004	DC97-14371C	ASSY DRUM; HEBA,WF8800DPF/WF8802DPF,598*8	SC	1
12-2	3	WJ5081	DC60-40137A	BOLT-HEX; MARS-PJT,STAINLESS-ST5430,M8,P1	SA	3
12-3	3	WG0054	DC66-00489B	DRUM-FRONT; HEBA PJT(8kg),STAINLESS-ST543	SNA	1
12-4	3	WG0053	DC66-00492A	DRUM-BACK; HEBA PJT,STAINLESS-ST5430,ID48	SNA	1
12-5	3	WG0055	DC66-00493A	DRUM-LIFTER; HEBA PJT,PP,TI42,GRAY,7/8KG	SA	3
12-6	3	WG0057	DC66-00491A	DRUM-WRAPPER; HEBA PJT/8.0kg,STAINLESS-ST	SNA	1
12-7	3	WS0006	DC97-14370A	ASSY FLANGE SHAFT; HEBA PJT,6205/6204,-,1	SA	1
13	2	WJ0002	DC97-14618A	ASSY CLAMP DIAPHRAGM; WF8804DP,OD2.0/L124	SA	1
14	2	WE5001	DC97-14637A	ASSY HOSE PRESSURE; HEBA PJT,-,-,-,-	SA	1
14-1	3	WH0017	DC63-10003C	SPONGE-HOSE AIR; SWF-P12,PU-FOAM,GRY	SNA	1
14-2	3	WH5226	DC67-00230B	HOSE-WATER; WF8800,TPE,ID4.5,OD8.0,T1.75,	SC	1
14-3	3	WH0012	DC67-00293A	HOSE-FILTER TUB; HEBA-PJT,EPDM,-,-,T2.5,-	SA	1
14-4	3		DC67-00297A	HOSE-JOINT AIR; HEBA & Aegis-PJT,PP,L167.3,	SNA	1
14-5	3	WJ0027	DC72-00001H	CLIP-RING; HEBA-PJT,HSWR-SWRH,PI3.0,ID35,	SNA	1
14-6	3	WP0165	DC61-70029C	SPRING-CLIP; SEW-HW125,HSWR,CD1.2,ID8.3,W	SA	2
14-7	3	WJ0027	DC65-60125B	CLIP-RING; HSWR-SWRH,PI2.4,ID25,-	SNA	1
15	2	WE0010	DC97-14827F	ASSY HEATER; HEBA,230V/ 2000W,NORMAL/GRAY	SNA	1
15-1	3	WJ0083	6031-001531	WASHER-PLAIN; SCP1,ID7,OD14,T1.2,ZPC2,ACE	SNA	1
15-2	3	WE0155	DC47-00033B	HEATER-WASH; HEBA,SUS316L,2000,8.69,230V,	SA	1
15-3	3	WE0060	DC63-00889A	COVER-HEATER; WF438AAG,ABS+PC,T3.0,W160.0	SA	1
16	2	WH5018	DC97-14873A	ASSY HOSE AIR; WF8804DP,-,HOSE-AIR+BAND-R	SA	1
16-1	3		DC61-00158A	CLAMPER HOSE; SW65ASP,SK5,ID23,T0.8,-	SNA	1
16-2	3	WJ0027	DC65-60118J	CLIP-RING; HSWR-SWRH,-,PI2.0/ID23	SNA	1
16-3	3	WH5364	DC67-00298A	HOSE-AIR; HEBA PJT,EPDM,-,-,T2.5,-,BLK,-	SA	1

Exploded Views and Parts List

No.	Lvl.	Loc.	Material Code	Description & Specification	SNA	Qty.
17	2	WH5375	DC97-14874C	ASSY HOSE DRAWER; HEBA BIGBANG,WF0800NCE,	SA	1
17-1	3	WJ0027	DC65-60118J	CLIP-RING; HSWR-SWRH,-,PI2.0/ID23	SNA	1
17-2	3	WH5191	DC67-00422A	HOSE-DRAWER TUB; HEBA-PJT,EPDM,BLK	SC	1
17-3	3	WJ0027	DC72-00001G	CLIP-RING; HEBA-PJT,HSWR-SWRH,T2.4,ID49.5	SNA	1
18	3	WT0003	DC97-15011C	ASSY SEMI TUB BACK; HEBA,WF8700,7.0kg,PP,	SNA	1
19	2	WS0064	DC61-02549A	BUSH-MOTOR; HEBA BIGBANG,PA66+GF15%,NATUR	SNA	1
20	2	WT0042	DC61-01932A	TUB-FRONT; HEBA PJT,FRPP,ID528,OD575,NTR,	SA	1
21	2	WD0067	DC64-01602A	DOOR-DIAPHRAGM; HEBA-PJT,EPDM,T2.0,-,-,-,	SA	1
22	2		DC65-00021A	CLAMPER HOSE-JOINT; HEBA PJT,HSWR-SWRH,ID	SNA	1
23	2	WX0558	6011-001644	BOLT-HEX; M10,L35,ZPC2,SM10C,DAMPER	SA	2
24	3	WS0119	DC62-00008A	SEAL-OIL; NBR,BLACK,-,NBU	SA	1
25	2	WT5104	DC67-00296A	WEIGHT-BALANCER(U); HEBA-PJT,CONCRETE,-,W	SA	1

1.4. Frame&Cover Parts

Exploded View



Parts List

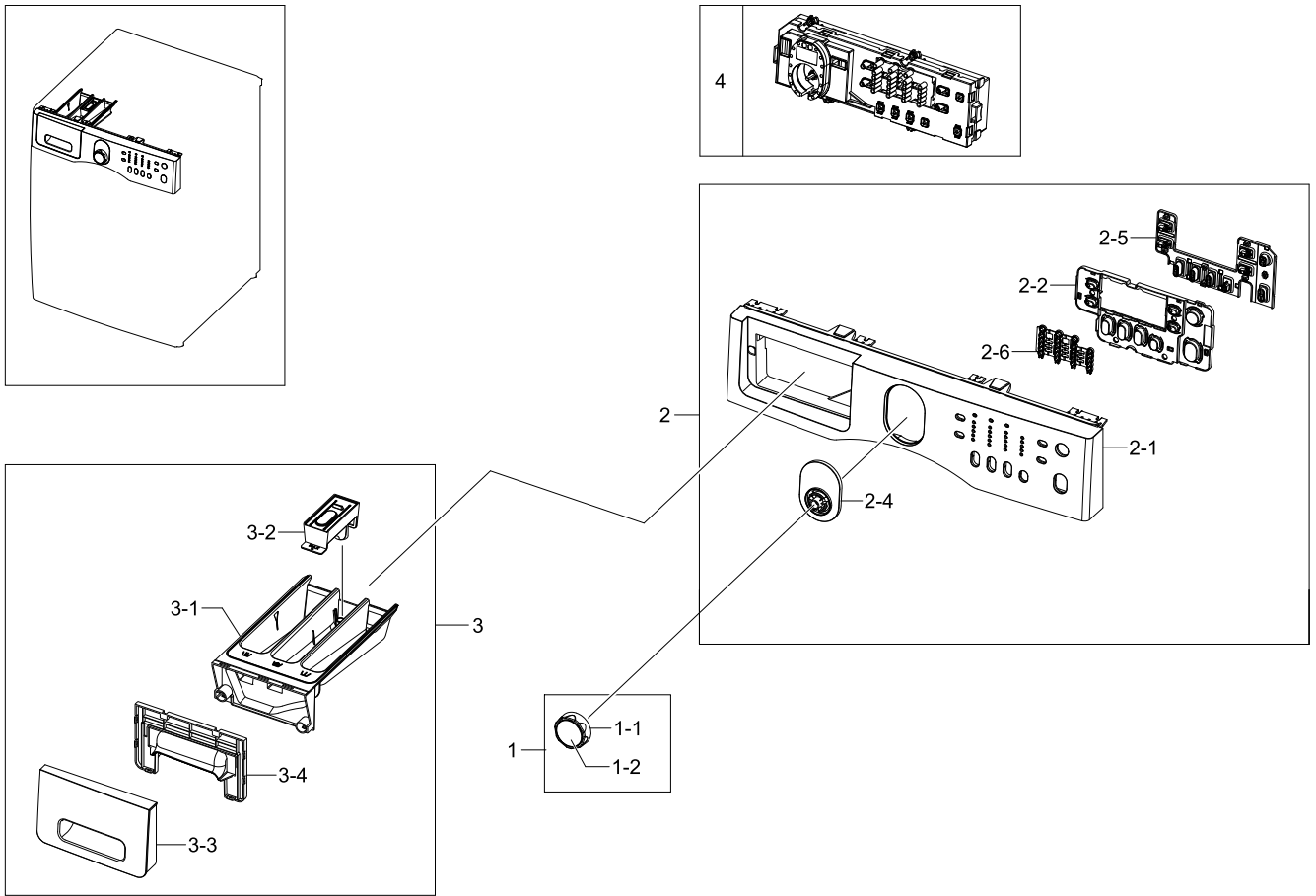
No.	Lvl.	Loc.	Material Code	Description & Specification	SNA	Qty.
1	2	WF0002	DC97-15019A	ASSY COVER BACK; HEBA-PJT,-,COVER BACK +	SA	1
2	2	WF0003	DC97-14953A	ASSY COVER TOP; HEBA-PJT,-,WOOD+AL FOIL+U	SA	1
3	2	WJ5109	DC97-14653C	ASSY FIXER TUB; SCOUT,WF0804Y8E/XEF	SA	4
4	2	WE0076	DC29-00005D	FILTER-EMI; FA-2151T-4 / RDFC-2718,1.2mm	SA	1
5	2	WF0008	DC97-15363A	ASSY FRAME PLATE(U); HEBA,,ALL,GI,T1.2,600	SA	1
6	2	WF0102	DC61-02029A	SPRING ETC-HANGER; HEBA,,HSWR-SWRH,CD3.5,O	SA	2
7	2	WU5124	DC96-01533B	ASSY PUMP DRAIN; HEBA-PJT,WF8802,NO AIR V	SA	1
7-1	3	WU5008	DC31-00030A	PUMP-DRAIN; B20-6 / S3001,220V-240V,50Hz,	SA	1
7-2	3	WU0023	DC61-01951A	CASE-PUMP; WF8804DP,PP,T2.5,W128,L108,-,-	SNA	1

Exploded Views and Parts List

No.	Lvl.	Loc.	Material Code	Description & Specification	SNA	Qty.
7-3	3	WI0203	DC63-00830A	COVER-PUMP; -,PP,-,W59.0,L77,V0 GRADE,WHT	SNA	1
7-4	3	WO0031	DC63-00905A	CUSHION-PUMP; WF8802DPF/XET,NBR,-,W37.6,L	SNA	1
7-5	3	WH0017	DC63-10003C	SPONGE-HOSE AIR; SWF-P12,PU-FOAM,GRY	SNA	1
7-6	3	WH5224	DC67-00244A	HOSE-DRAIN; HOSE-DRAIN,EPDM,ID6,OD11,T2.5	SA	1
7-7	3		DC69-01128A	PACKING-PUMP; WF8804DP,IR,BUTYL,T2.5,HEB	SNA	1
7-8	3	WA0006	DC97-14278A	ASSY FILTER; HEBA-PJT,ASSY-FILTER,PP+EPDM	SA	1
7-8-1	4	WU0026	DC63-00865A	FILTER-PUMP; WF8804DP,PP,W53,L66.95	SNA	1
7-8-2	4	WI0357	DC64-01317A	HANDLE-FILTER; PP,W57.3,L31.0,-	SNA	1
7-8-3	4		DC73-00022A	SEAL-PACKING; SEW-HVR149ATA,EPDM,BLK,39.2	SNA	1
7-10	3		DD65-00001F	CLAMPER HOSE; HSWR-SWRH,D10.5/T1.2	SNA	1
8	2	WE0020	DC96-01703A	ASSY SENSOR PRESSURE; AEGIS-PJT,-,-,DRUM	SA	1
9	2	WF0004	DC97-14657E	ASSY FRAME; HEBA,WF8804,PCM,T0.8,-,WHITE	SA	1
9-1	3	WF0067	DC61-02172A	FRAME; HEBA-PJT,EGI-SECC,DA WHT,T0.8,W598	SNA	1
9-2	4	WI0266	DC61-02065A	GUIDE-SPRING; WF448AAG/XXA,POM,T4,W24,L36	SA	1
10	2	WI0107	DC61-10673A	CAP-DRAIN; PP,-,-,WHITE	SNA	1
11	2	WE0016	DC96-00146A	ASSY POWER CORD; UCP2,250V/16A,H05VV-F 3*	SC	1
12	2	WB5216	DC97-00920C	ASSY LEG; SEW-HW108,L48.5,M10	SC	4
12-1	3	WB5216	DC97-00920B	ASSY LEG; SEW-DR605WB,BOLT+BUTYL,BUTYL	SNA	4
13	2	WH5074	DC97-02250S	ASSY HOSE DRAIN(O); HEBA-COMBO,WD8704DJF,	SA	1
13-1	3	WH0013	DC67-00330B	HOSE-PUMP; WF8802DPF,PP,ID21,OD23,L1850,G	SA	1
15	2	WW0026	DC96-01646G	ASSY M.GUIDE WIRE HARNESS; HEBA-PJT,-,-,-	SA	1
15-1	3	WW0027	DC96-01569G	ASSY M. WIRE HARNESS; HEBA-PJT,-,-,NO Opt	SA	1
17	2	WI0322	DC64-01757A	SHUTTER; HEBA-PJT,PP,T3.0,-,-,WHT,7kg/DAN	SA	1
18	2	WH5359	DC61-00274A	GUIDE-HOSE; P/PV/M,PP,-,-,-,WHT,FRAME/DRA	SA	1

1.5. Panel Control&Drawer

Exploded View



Parts List









No.	Lvl.	Loc.	Material Code	Description & Specification	SNA	Qty.
1	2	WC0009	DC97-14576C	ASSY KNOB ENCODER; HEBA BEST,WF8802DP,SIL	SA	1
1-1	4	WC0077	DC64-01536B	DECORATION-ENCODER; HEBA-PJT,PC,T1.0,W41.	SNA	1
1-2	3	WC0101	DC64-01534A	KNOB-ENCODER; HEBA-PJT,ABS,T2.0,PI51.0,H3	SNA	1
2	2	WC0016	DC97-14577M	ASSY PANEL CONTROL; HEBA,WF8800LPW/XEC,HI	SA	1
2-1	3	WC0122	DC64-01528A	PANEL-CONTROL; HEBA-PJT,ABS,T2.5,-,-,-,WH	SNA	1
2-2	3	WC0053	DC64-01529A	BUTTON-PUSH(F); HEBA-PJT,ABS,-,-,WHT,SILK	SA	1
2-4	3	WC0135	DC64-01533A	WINDOW-ENCODER; HEBA,ABS,T2.0,-,-,-,BLK,H	SNA	1
2-5	3	WC0059	DC64-01535A	BUTTON-RUBBER; HEBA-PJT,SILICON,NTR,HARDN	SNA	1

Exploded Views and Parts List

No.	Lvl.	Loc.	Material Code	Description & Specification	SNA	Qty.
2-6	3	WC0140	DC64-01531A	WINDOW-PANEL; HEBA-PJT,ABS,T2.0,-,-,-,BLK	SNA	1
3	2	WR0005	DC97-15040A	ASSY DRAWER; WF8804DP,HEBA/WHT,-,-,-,-	SA	1
3-1	3	WR0029	DC61-01740B	BODY-DRAWER; WF-J1254/XAA,PP,WHT(W52),TB5	SA	1
3-2	3	WR0046	DC61-01741A	STOPPER-DRAWER; -,PP,-,-,-,-,SGEC	SA	1
3-3	3	WC0123	DC64-01526A	PANEL-DRAWER; HEBA-PJT,ABS,T2.5,W183.8,L1	SNA	1
3-4	3	WR0038	DC64-01527A	HANDLE-DRAWER; HEBA-PJT,ABS,T2.0,WHT	SNA	1
4	2	WZ0010	DC92-00172E	ASSY PCB MAIN; HEBA-BEST(WF8800LP),MF-HWQ	SA	1

1.6. Small Parts

Exploded View

							
1	2	3	4	5	6	7	8

Parts List

No.	Lvl.	Loc.	Material Code	Description & Specification	SNA	Qty.
1	2	WI0293	DC61-00995C	HOLDER-WIRE; HEBA-PJT,PA,ID26,W6,L145,NYL	SA	1
2	2	WI0293	DC61-01736B	HOLDER-WIRE; WF337AAW,PA,T2.3,NATURAL,-	SA	1
3	2	WI0293	DC61-40081A	HOLDER-WIRE; DAWH-2NC,PA,-,NATURAL,-	SA	3
4	2	WI0293	DC61-40083A	HOLDER-WIRE; DAWH-3ND,NYLON66,NTR(PI24.4)	SNA	1
5	2		DC61-00133A	CLAMPER HOSE-FIX; P1291,PP,-,HOSE+PLUG,BJ	SNA	1
6	2		6502-000127	CABLE CLAMP; DAWH-18NB,ID15,-,NYLON66,NTR	SNA	1
7	2		DC61-00118A	CLAMPER HOSE-FIX; P1291,PA66,ID27,OD30	SNA	1