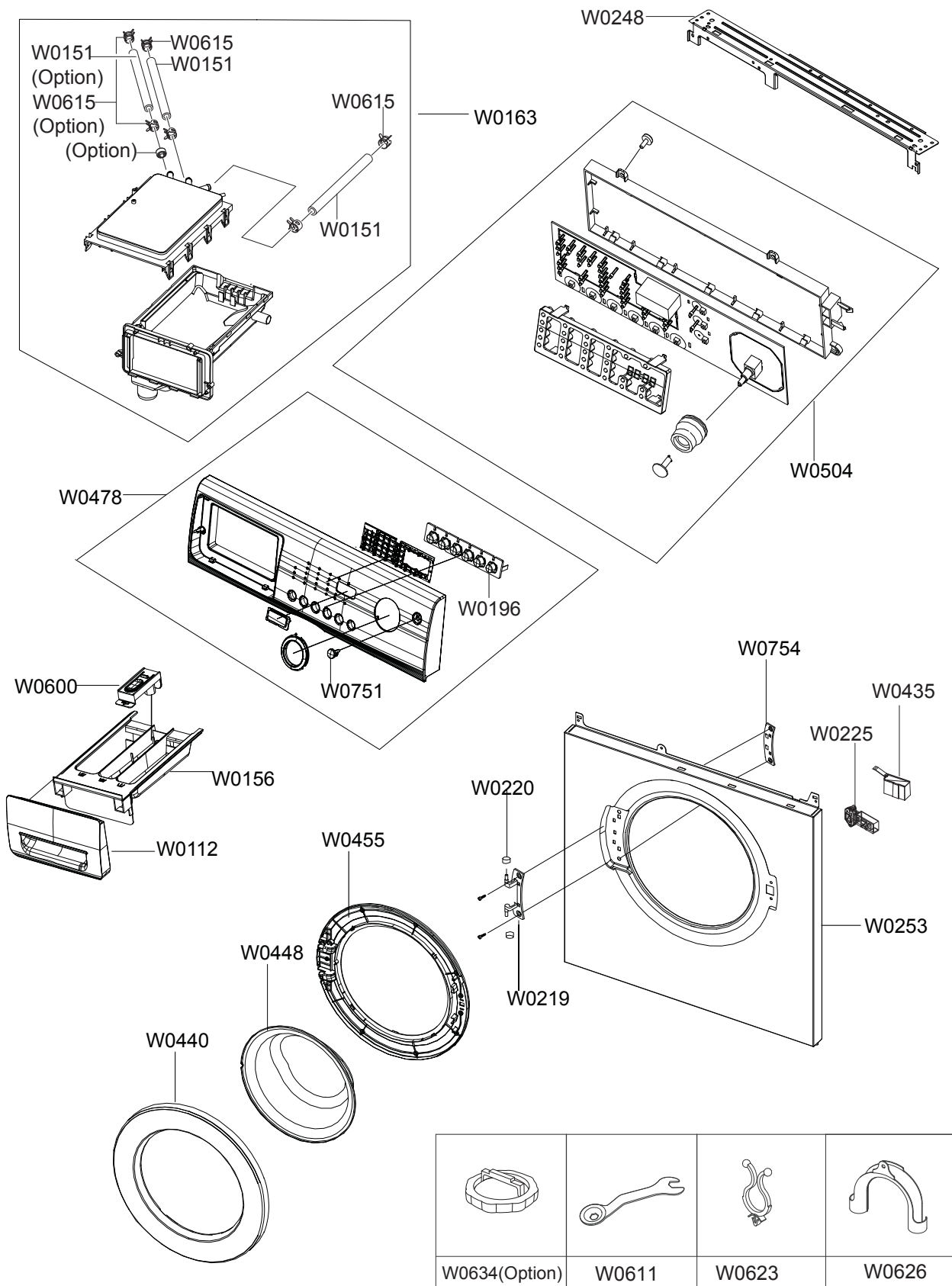


7. EXPLODED VIEWS AND PARTS LIST

7-1. EXPLODED VIEWS OF TOP(FRONT)

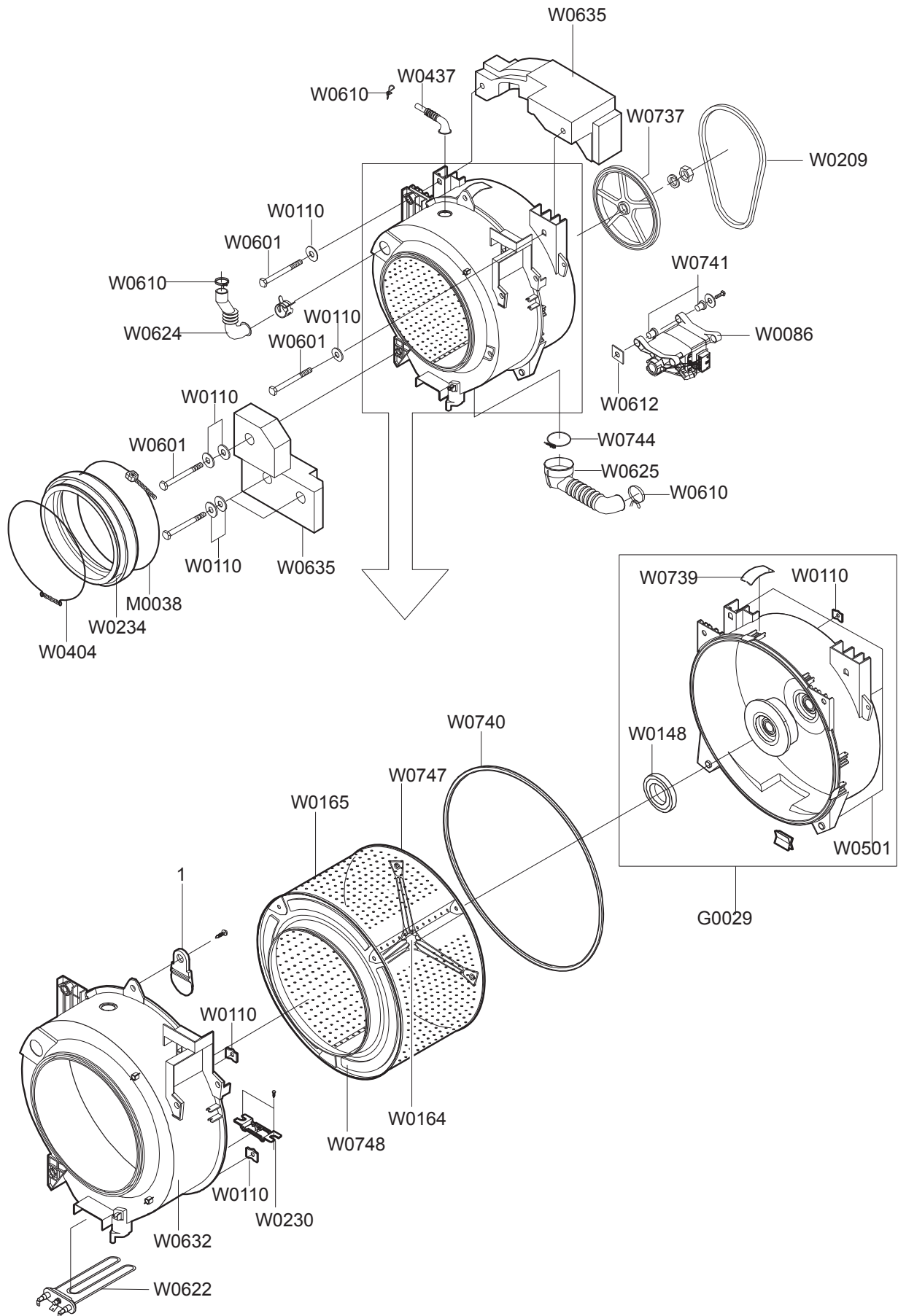


MODEL CODE: WF7602NAW/XEC

Service Bom (SA: SERVICE AVAILABLE, SNA: SERVICE NOT AVAILABLE)

SVC Code	Code No.	Description	Specification	QTY	Un	SA/SNA
W0615	DC61-60359E	CLAMPER HOSE	F1235AS/F1035AS,SK5,-,ID7.8	1	PC	SA
W0615	DC61-01136A	CLAMPER HOSE	F1235J,SK5,T1.0/ID14.8,WHT	1	PC	SNA
W0615	DC65-00019A	CLAMPER HOSE	DRUM W/M,SK5,D34/H4/T1.5	2	PC	SA
W0611	DC60-40146A	BOLT-SPANER	-,CR,-,T2.5,OD36,-,-,-,-	1	PC	SA
W0600	DC61-02139A	STOPPER-DRAWER	STANDARD MODEL,PP-TD30,T2	1	PC	SA
W0156	DC61-02159A	BODY-DRAWER	T-PJT/STANDARD-TYPE,PP,T2.0,	1	PC	SA
W0626	DC62-10278A	HOSE-HANGER	PUMP MODEL,PP,BLK,RM60 RESIN	1	PC	SA
W0112	DC64-01266A	PANEL-DRAWER	WF-C863,ABS,T2.5,-,-,-,WHT,	1	PC	SA
W0615	DC61-00219B	CLAMPER HOSE	SK5,WLSL1100A,ID24 OD26.4,Z	1	PC	SNA
W0478	DC97-15408B	ASSY PANEL CONTROL	KT,WF7702NAW/XEC,-,-,	1	PC	SA
W0751	DC64-01260A	BUTTON-PUSH(P)	WF-C863,ABS,-,-,WHT,KT-PJ	1	PC	SA
W0196	DC64-01261A	BUTTON-PUSH(F)	WF-C863,ABS,-,-,WHT,KT-PJ	1	PC	SNA
W0504	MFS-KTJ2NPH-02	ASSY-PCB PARTS(M)	MFS-KTJ2NPH-02	1	PC	SA
W0615	DD65-00001F	CLAMPER HOSE	HSWR,D10.5/T1.2	1	PC	SNA
W0440	DC63-00980A	COVER-DOOR	WF8704SDW,ABS,T2.5,OD428,WHT,	1	PC	SA
W0455	DC97-15476A	ASSY-HOLDER GLASS	ADONIS&KT,WF8704SDW,-,	1	PC	SA
W0220	DC61-00891A	GUIDE-HINGE	HAUZEN(DOM),POM,-,-,-,WHT,HI	4	PC	SA
W0754	DC61-01578B	BRACKET-HOLDER	KT&TD MODEL,SK5,T1.2,-,-,	1	PC	SA
W0219	DC61-02256A	HINGE-DOOR	WF8704SDW,ALDC,T2.3,-,-,-,-,A	1	PC	SA
W0448	DC61-20207A	DOOR-GLASS	Q1636GW/XEU,NON-HeatTreatment	1	PC	SA
W0435	DC63-00967A	COVER-DOOR SWITCH	AEGIS-PJT/ WF8500NHW,P	1	PC	SA
W0225	DC64-01538A	DOOR-LOCK S/W	ZV-446L5,PA66,T19.5,W95,BL	1	PC	SA
W0163	DC97-12030A	ASSY HOUSING DRAW-ER	J2 MODEL,2 WAY/COLD,	1	PC	SA
W0615	DC61-01136A	CLAMPER HOSE	F1235J,SK5,T1.0/ID14.8,WHT	4	PC	SNA
W0151	DC67-00051D	HOSE-DRAWER	S1093~S6093,EPDM,BLK,SLIM-PJ	1	M	SA
W0248	DC61-01940A	FRAME-PLATE(U)	KT-UG,GI,-,-,-,T1.0,-,-,W	1	PC	SA
W0623	DC61-40081A	HOLDER-WIRE	DAWH-2NC,PA,NTR(PI19.4)	5	PC	SA
W0253	DC97-11235F	ASSY FRAME FRONT	ADONIS,WF8704SDW/XEG,EG	1	PC	SA

7-2. EXPLODED VIEWS OF TUB



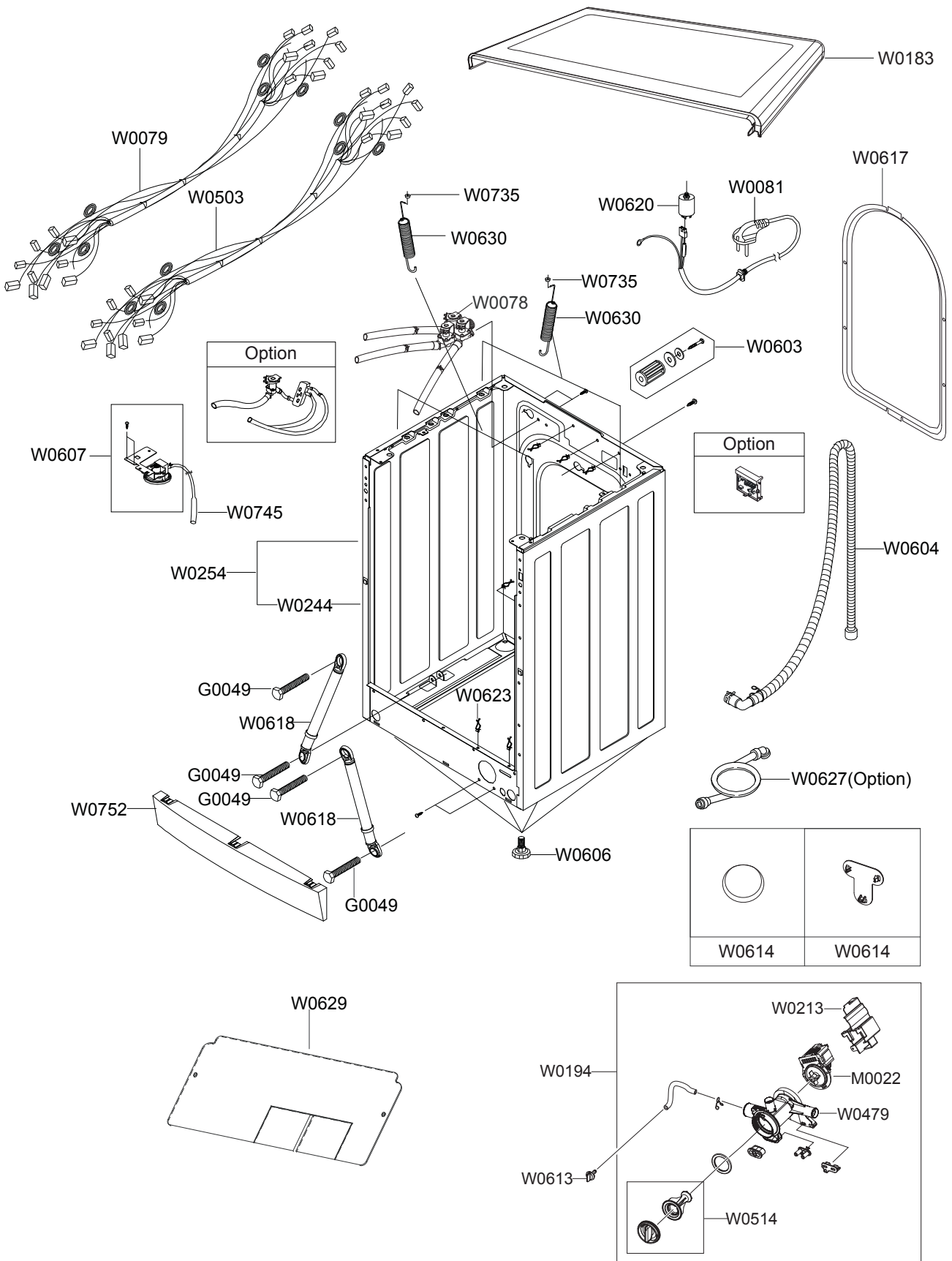
MODEL CODE: WF7602NAW/XEC

Service Bom (SA: SERVICE AVAILABLE, SNA: SERVICE NOT AVAILABLE)

SVC Code	Code No.	Description	Specification	QTY	Un	SA/SNA
W0209	6602-001497	BELT-TIMING GEAR	-,RUBBER(GATES),T3.4,-,	1	PC	SA
W0622	DC47-00013B	HEATER	-,Q2-PJT,- ,2000W,8.7A,230,26,D1.3	1	PC	SA
W0612	DC61-00201A	BRACKET-NUT	P1291,SBHG-R,T3,NO-PAINT/ MOT	1	PC	SA
W0148	DC62-00160A	SEAL-OIL	TS0-PJT,NBR(SD35),BLK,-,-,-,JIN	1	PC	SA
W0601	DC97-02412D	ASSY BOLT	Q1636,WEIHGT(U)/M8*L103,-,-,-,	1	PC	SA
W0601	DC97-02412N	ASSY BOLT	J1045AVW1/XSA,M8*L103/ZPC/ BLK+	2	PC	SA
W0165	DC97-05848E	ASSY DRUM	JUMP2,WF6702S6V/YLW,-,ASSY FLA	1	PC	SA
W0747	DC66-00328A	DRUM-BACK	Q1636,STS430,2B,-,T0.6,-,TS-2	1	PC	SNA
W0748	DC66-10179A	DRUM-FRONT	SWF-P12,STS430,-,-,-,-,T0.5	1	PC	SNA
W0164	DC97-13539A	ASSY FLANGE SHAFT	JUMP2-PJT,VE TYPE,-,-,	1	PC	SA
G0029	DC97-10977V	ASSY SEMI TUB BACK	J1471GW/XEG,UG-KT PJT	1	PC	SA
W0601	DC97-02412K	ASSY BOLT	S-PJT,SK5/ID7.5/OD15.4/T2,-,-,	2	PC	SA
W0601	DC97-02412M	ASSY BOLT	B-PJT,SK5/ID7.5/OD15.4/T2,-,-,	1	PC	SA
W0086	DC31-00002A	MOTOR UNIVERSAL- DRUM	MCC52/64-148/SEC2,1	1	PC	SA
W0632	DC61-30346C	TUB-FRONT	P1405J,FRPP(FRPP15%)SAM- BACK,-,	1	PC	SA
W0737	DC66-00327A	PULLEY	Q1636GW/ XEU,ALDC8,ID297.3,OD296.8	1	PC	SA
W0739	DC61-60499B	CLIP-TUB	HSWR,P1291,-,NO/PAINT,	8	PC	SA
W0739	DC61-60520A	CLIP-TUB	SK5,SWF-P12,-,PLATE-TYPE,	2	PC	SA
W0612	DC61-40348B	BRACKET-NUT	P1291,SBHG-R,T3,NO-PAINT	2	PC	SA
W0744	DC61-60497A	CLAMPER HOSE-JOINT	SWF-P12,HSWR,-,ID70/O	1	PC	SA
W0625	DC62-10304A	HOSE-FILTER TUB	EPDM,66,L151,BLK,SWF-P12	1	PC	SA
W0610	DC65-60125A	CLIP-RING	HSWR,T2.4,W36.5,YEL	1	PC	SNA
M0038	DC91-12077D	ASSY CLAMP DIA- PHRAGM	WF-B853/XSC,TUB,-,S	1	PC	SA
W0110	6031-001526	WASHER-PLAIN	SBHG1-A,-,ID4.0,OD10,T1.0,W	1	PC	SNA
W0404	DC66-00432A	WIRE-DIAPHRAGM	WF-B853/XSC,HSWR,-,OD2,L1	1	PC	SNA
W0230	DC61-01447A	BRACKET-HEATER	V7,STS430,T0.6mm,W30mm,L1	1	PC	SNA
W0624	DC67-00285A	HOSE-DRAWER TUB	JUMP2-MODEL,EPDM,ID40,OD	1	PC	SA
W0437	DC67-00205A	HOSE-AIR	ALL- MODEL,EPDM,ID16,OD33,T1.7,L	1	PC	SA
	DC66-00439A	VANE-CHECK	ALL-MODEL,EPDM,-,-,BLK,-	1	PC	SNA
W0610	DC65-60118P	CLIP-RING	WF- F105AV,HSWR,T2.6,WHT,ID31	1	PC	SA
W0601	DC97-06080A	ASSY BOLT	SEW- 3HR107,BOLT+WASHER,-,-,-,-	1	PC	SNA
W0501	DC97-05130M	ASSY TUB BACK	-,WF-B146NV/XEG,-,BRK_T2.3	1	PC	SNA

SVC Code	Code No.	Description	Specification	QTY	Un	SA/SNA
W0612	DC61-40348B	BRACKET-NUT	P1291,SBHG-R,T3,NO-PAINT	2	PC	SA
W0740	DC62-40183A	PACKING-TUB	SWF-P12,EPDM,-,-,-,-,BLK,-	1	PC	SA
W0234	DC61-20219E	DOOR-DIAPHRAGM	SEW-HW107,EPDM,-,-,-,-,GR	1	PC	SA
W0635	DC67-00283B	WEIGHT-BALANCE(L)	J2 MODEL VE,CONCRETE,T	1	PC	SA
W0635	DC67-00284B	WEIGHT-BALANCE(U)	J2 MODEL VE,CONCRETE,T	1	PC	SA
W0110	DC60-60044B	WASHER-PLAIN	-,SBC,ID8.4/OD30,T2.0,-,-,-	5	PC	SA
W0610	DC65-60118K	CLIP-RING	HSWR,PI2.0,ID18,OD22,YEL	1	PC	SA

7-3. EXPLODED VIEWS OF CASE



MODEL CODE: WF7602NAW/XEC

Service Bom (SA: SERVICE AVAILABLE, SNA: SERVICE NOT AVAILABLE)

SVC Code	Code No.	Description	Specification	QTY	Un	SA/SNA
W0618	DC66-00421A	DAMPER-SHOCK	F-PJT, FRICTION-DAMPER,-,-,-	2	PC	SA
W0745	DC62-10311A	HOSE-PRESSURE	-, EPDM, ID13.5,-,-,-, BLK, SW	1	PC	SA
W0503	DC96-01169A	ASSY WIRE HARNESS	TRIUMPH(A)-PJT /SUB, WF	1	PC	SA
G0049	DC60-40144A	BOLT-HEX	SM10C, L35, ZPC2(YEL), M10, ZPC2(YE	2	PC	SA
W0613	DC61-10673A	CAP-DRAIN	SWF-P12, PP,-,-,-, WHT,-	1	PC	SA
W0614	DC61-10688A	CAP-FIXER	SWF-P12, PP, WHT, TB53	5	PC	SA
W0627	DC62-10289C	HOSE-WATER(C)	RUSSIA, PVC+NYLON, ID10.3,-,	1	PC	SA
W0617	DC63-00414B	COVER-BACK	SEW-3HR103BT, GI, T0.4,-,-,-,-,	1	PC	SA
W0752	DC63-00880A	COVER-FRONT(L)	UG-KT (7.0KG), ABS, T2.5,-,	1	PC	SA
W0213	DC63-00951A	COVER-PUMP	COVER-PUMP, PP, T2.5, W65, L140, V	1	PC	SA
W0614	DC67-00208A	CAP-FIXER	J1453GW/XEU, PP, T1.5, NTR	1	PC	SA
W0603	DC97-02106C	ASSY FIXER TUB	-, SEW-3HR105, L114.5,-,-,-	5	PC	SA
G0049	DC60-40142B	BOLT-HEX	SEW-3HR105, SM10C, HEX, L114.5,-, M	5	PC	SNA
W0604	DC97-14291B	ASSY HOSE DRAIN(O)	UG-KT/TROIKA/GERMANY,	1	PC	SA
W0081	DC96-00146A	ASSY POWER CORD	UCP2, 250V/16A,-, 1500/EUR	1	PC	SA
W0194	DC96-01336X	ASSY PUMP DRAIN	ALL, WF-F1061, 220V 50Hz, A	1	PC	SNA
M0022	DC31-30008D	PUMP-DRAIN	SW-70XP, 220/240V, 50Hz, SYNCHRO	1	PC	SA
W0514	DC97-15785A	ASSY CASE FILTER	TRIUMPH/CATS/TROIKA, GER	1	PC	SA
W0479	DC61-01674E	CASE-PUMP	WF7600SUV/XEO, PP, T2.5, W65, L94,	1	PC	SA
W0735	DC61-60180A	SLEEVE-PLUG	SEW-720DR, NTR	2	PC	SA
W0607	DC97-00731A	ASSY SENSOR PRES-SURE	P1091, S-PRE+BRACKET	1	PC	SA
W0183	DC97-14517A	ASSY COVER TOP	UG-KT(7.0KG), UG-KT(7.0KG)	1	PC	SA
W0078	DC62-00024F	VALVE-WATER	B1215J, NYLON66/250TRMN, NTR, 2	1	PC	SA
w0620	DC29-00005A	FILTER-EMI	P/PV-PJT, 250V, 15, D38*51(+BOLT	1	PC	SA
W0079	DC93-00085H	ASSY M. WIRE HAR-NESS	TRIUMPH, WF8700NAVU/	1	PC	SA
W0254	DC99-00634C	ASSY PAINT FRAME	-, WF7704NAW/XEG, SSEC/KT	1	PC	SA
W0629	DC64-00587A	SHUTTER	Q1636GW/XEU, DANPLA-BB110, WHT, PP(1	PC	SA
W0606	DC97-14289A	ASSY LEG	ALL MODEL, Φ 39 NUT-HEX FLANGE,-,	4	PC	SA
W0623	DC61-00995A	HOLDER-WIRE	DAWH, NYLON,-, H45,-, NTR(PI27)	2	PC	SNA
W0244	DC61-00935K	FRAME	JUMP2-MODEL NON-AG+, GA, NTR, T1.0	1	PC	SNA
W0745	DC62-10311A	HOSE-PRESSURE	-, EPDM, ID13.5,-,-,-, BLK, SW	1	PC	SA

1-4. PARTS LIST (OTHERS PARTS)

MODEL CODE: WF7602NAW/XEC

Service Bom (SA: SERVICE AVAILABLE, SNA: SERVICE NOT AVAILABLE)

SVC Code	Code No.	Description	Specification	QTY	Un	SA/SNA
G0049	DC60-40141A	BOLT-HEX	SM10C/DAMPER,HEX,M8,L66,-,ZPC2(2	PC	SA
W0110	DC60-60044A	WASHER-PLAIN	-,ID10.5,OD30,T3,-,STS304	2	PC	SA
W0234	DC61-20219E	DOOR-DIAPHRAGM	SEW-HW107,EPDM,-,-,-,-,GR	1	PC	SA
W0619	DC66-00332A	DRUM-LIFTER	TS-2 PJT,PP(TI42)GRY,-,-,-,-	3	PC	SA
W0235	DC63-00651A	COVER-HEATER	Q1657TGW/XEU,GI,T0.4,-,-,-,-,	1	PC	SA
G0048	DC97-00215L	ASSY TUB FRONT	SEW-HW957,WASH/7.5KG,-,-,-,	1	PC	SA
W0742	DC61-10676A	CAP-TRAP	SWF-P12,PP(TB53),-,-,-,-,-,	1	PC	SA
G0054	DC63-10003C	ABSORBER SPONGE	SWF-P12,PU-FOAM,GRY	1	PC	SA
W0235	DC63-00845A	COVER-HEATER	ALL MODEL,ABS,T2.5,NTR,5VA	1	PC	SA
W0616	DC61-00133A	CLAMPER HOSE-FIX	P1291,PP,ID24.5,OD29.5,	1	PC	SA
W0750	DC60-60040A	FASTENER-WASHER	-,ID10.5,OD32,T2,-,PBSP-	5	PC	SA
W0753	DC63-00450A	COVER-FRONT	S821,PP,T1.8,-,-,-,-,WHT,GUI	1	PC	SA
W0608	DC91-12078A	ASSY WIRE DIAPHRAGM	SWF-P12,FRAME-FRONT,	1	PC	SA
W0217	DC64-00564A	HANDLE-PIN	Q1636GW/XEU,STS,-,-,-,-,TS-	1	PC	SA
W0447	DC64-01822A	HANDLE-DOOR	WF8752N9P/XSC,POM,T2.0,-,L68	1	PC	SA
W0474	DC66-00533A	LEVER-DOOR	WF8752N9P/XSC,ZNDC,T5.7,W20,L	1	PC	SA
W0766	DD60-50018A	NUT-FLANGE	MSWR10,M5XP0.8,FZY	2	PC	SA
w0630	DC61-00952A	SPRING-HANGER	SEW-3HR105,HSWR,CD3.5,-,OD	2	PC	SA
W0616	DC61-00133A	CLAMPER HOSE-FIX	P1291,PP,ID24.5,OD29.5,	1	PC	SA
W0654	DC60-00018A	RIVET-PLATE	-,MSWR,D3.9,-,-,L30,WHT,-,-	4	PC	SA
W0235	DC63-00845A	COVER-HEATER	ALL MODEL,ABS,T2.5,NTR,5VA	1	PC	SA

1-5. SCREW LISTS

MODEL CODE: WF7600NAW/XET

Service Bom (SA: SERVICE AVAILABLE, SNA: SERVICE NOT AVAILABLE)

SVC Code	Code No.	Description	Specification	QTY	Un	SA/SNA
W0105	6002-001006	SCREW-TAPPING	TH,+,-,2S,M4,L12,PASS,STS4	1	PC	SNA
W0105	6002-000471	SCREW-TAPPING	TH,+,-,1,M4,L12,PASS,STS30	3	PC	SNA
W0105	6002-000444	SCREW-TAPPING	TH,+2,M4,L14,PASS,STS430	2	PC	SNA
W0105	6002-000520	SCREW-TAPPING	TH,+,-,2,M4,L12,ZPC(WHT),S	2	PC	SNA
W0105	6002-001006	SCREW-TAPPING	TH,+,-,2S,M4,L12,PASS,STS4	3	PC	SNA
W0105	6002-001327	SCREW-TAPPING	PWH,+1,M4,L12,ZPC(WHT),SW	1	PC	SNA
F0056	6003-001768	SCREW-TAPTYPE	TH,+WT,S,M4,L10,ZPC(WHT),	1	PC	SNA
W0105	6002-000520	SCREW-TAPPING	TH,+,-,2,M4,L12,ZPC(WHT),S	11	PC	SNA
W0105	6002-000525	SCREW-TAPPING	FH,+,-,1,M4,L12,PASS,STS30	1	PC	SNA
W0105	6002-001006	SCREW-TAPPING	TH,+,-,2S,M4,L12,PASS,STS4	2	PC	SNA
W0105	6006-001174	SCREW-TAPPING	TH,+WE,2S,M4,L12,ZPC(WHT)	14	PC	SNA
W0102	6009-001343	SCREW-SPECIAL	PH,TORX,M4,L10,ZPC(WHT),SW	1	PC	SNA
W0105	6002-000630	SCREW-TAPPING	PH,+NO,2S,M3,L8,ZPC(WHT),	2	PC	SNA
W0105	6002-001436	SCREW-TAPPING	PH,+2,M4,L18,ZPC(WHT),SWR	1	PC	SNA
W0105	6002-001436	SCREW-TAPPING	PH,+2,M4,L18,ZPC(WHT),SWR	3	PC	SNA
W0085	6001-001773	SCREW-MACHINE	TH,+,-,M5,L12,PASS,STS430,	2	PC	SA
W0105	6002-000471	SCREW-TAPPING	TH,+,-,1,M4,L12,PASS,STS30	2	PC	SNA
W0105	6002-001286	SCREW-TAPPING	FH,+,-,1,M4,L16,PASS,STS43	9	PC	SNA
W0105	6002-001306	SCREW-TAPPING	TH,+1,M4,L14,ZPC(WHT),SWR	8	PC	SNA
W0105	6002-000445	SCREW-TAPPING	TH,+2,M4,L18,PASS,STS304	2	PC	SNA
W0105	6002-000520	SCREW-TAPPING	TH,+,-,2,M4,L12,ZPC(WHT),S	1	PC	SNA
W0105	6006-001174	SCREW-TAPPING	TH,+WE,2S,M4,L12,ZPC(WHT)	5	PC	SNA
W0102	6009-001342	SCREW-SPECIAL	TH,+,-,M5,L11,ZPC(WHT),SWR	2	PC	SNA
W0105	6002-000630	SCREW-TAPPING	PH,+NO,2S,M3,L8,ZPC(WHT),	2	PC	SNA
W0105	6002-001327	SCREW-TAPPING	PWH,+1,M4,L12,ZPC(WHT),SW	2	PC	SNA
F0056	6003-001768	SCREW-TAPTYPE	TH,+WT,S,M4,L10,ZPC(WHT),	4	PC	SNA
W0105	6006-001174	SCREW-TAPPING	TH,+WE,2S,M4,L12,ZPC(WHT)	2	PC	SNA
W0105	6002-001327	SCREW-TAPPING	PWH,+1,M4,L12,ZPC(WHT),SW	6	PC	SNA