

# 1. Title

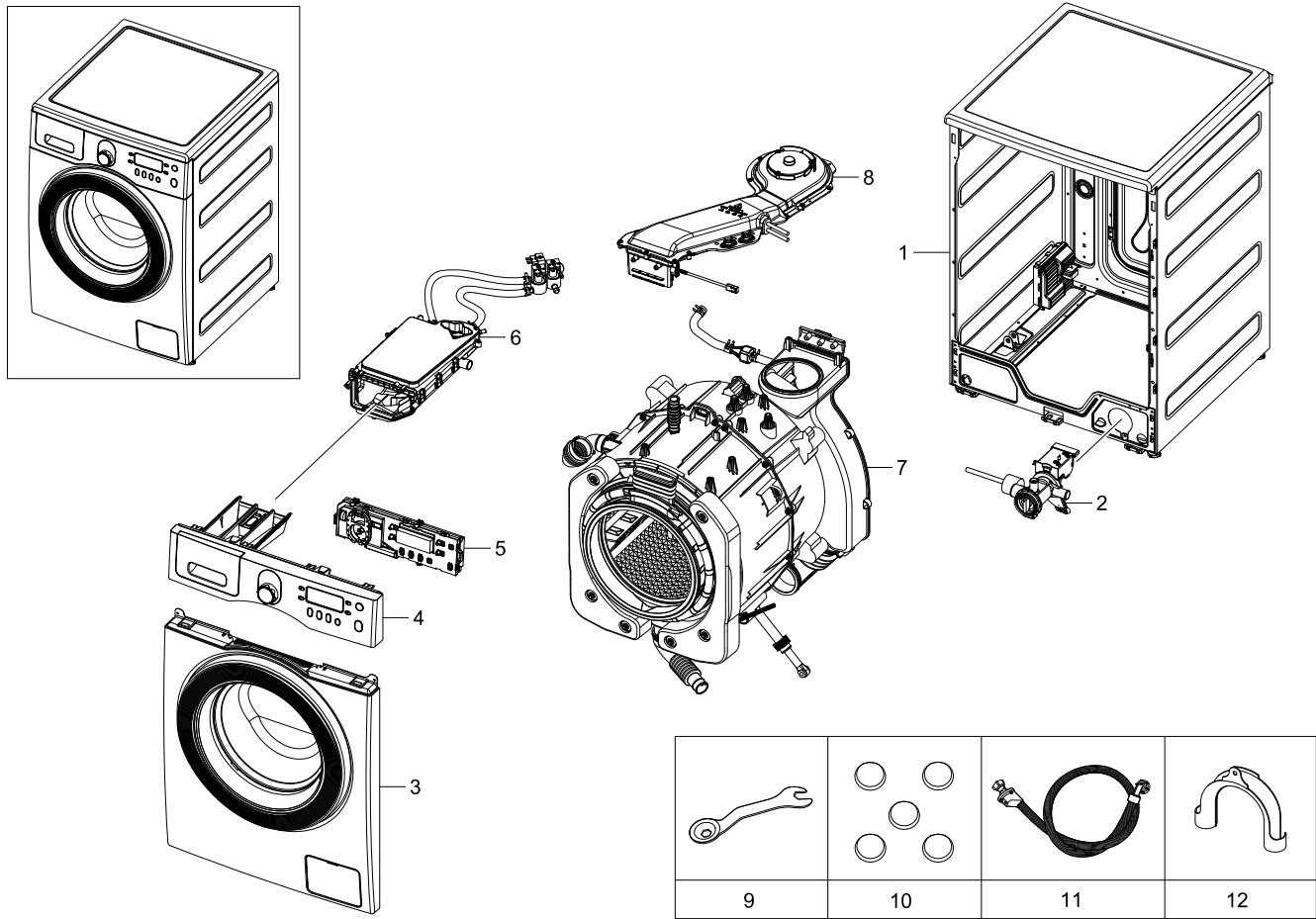
---

**Exploded View**

**Parts List**

# 1.1. Main

## Exploded View



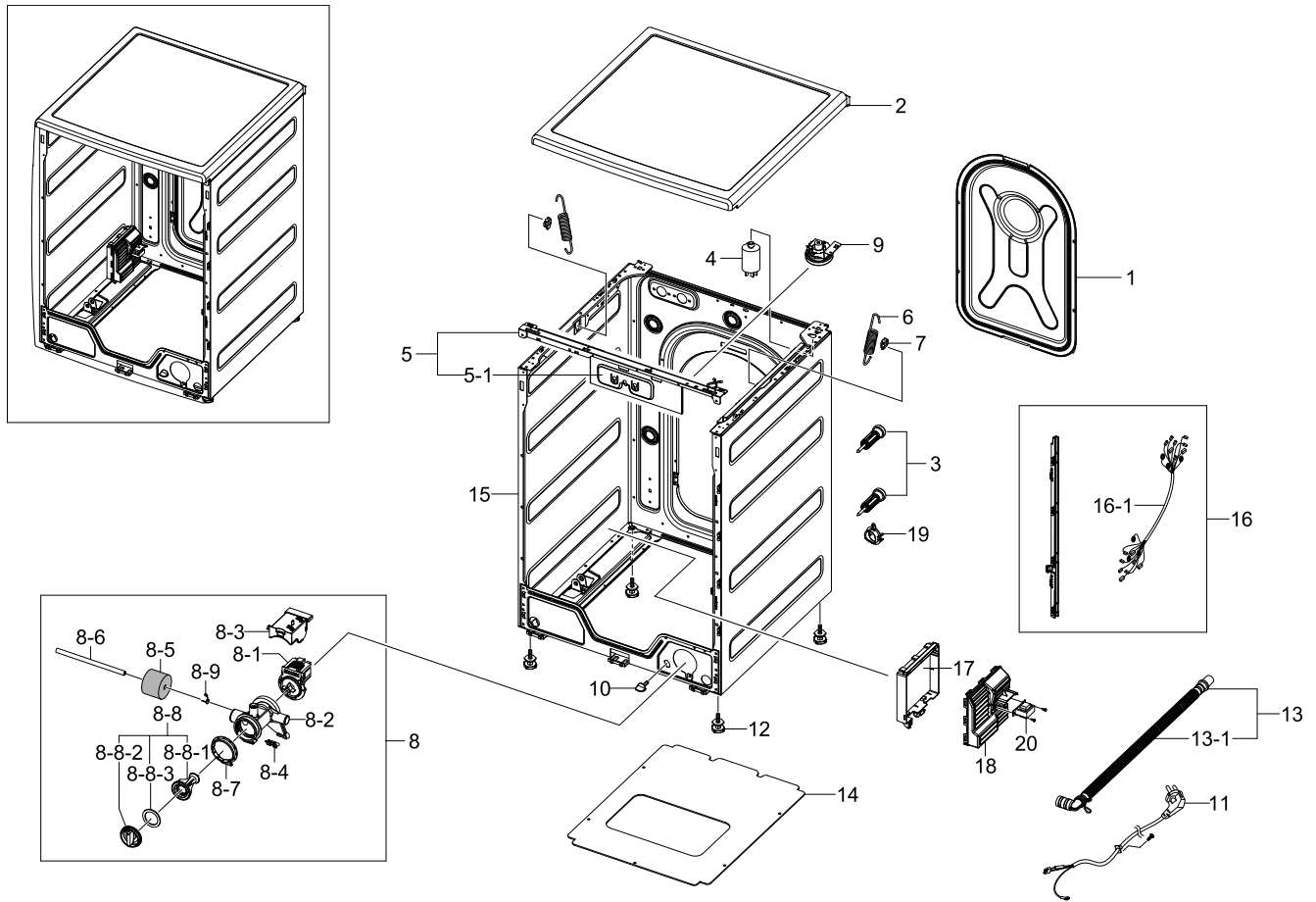
## Parts List

No.	Parent	Lvl.	Loc.	Material Code	Description & Specification	SNA	Qty.
1	DC90-01549A	2	WF0004	DC97-15012G	ASSY FRAME; HEBA-COMBO,WD8704,GI,T1.0,COL	SA	1
2	DC90-02285A	2	WU5124	DC96-01533B	ASSY PUMP DRAIN; HEBA-PJT,WF8802,NO AIR V	SA	1
3	DC90-03528A	2	WF0005	DC97-15897E	ASSY FRAME FRONT; HEBA COMBO,WD8702RJH/XE	SNA	1
4	DC90-03528A	2	WC0016	DC97-15805D	ASSY PANEL CONTROL; HEBA COMBO,WD8702RJH/	SA	1
5	DC90-03528A	2	WZ0025	DC92-00248G	ASSY PCB SUB; HEBA DD SUB,WD8702RJA/XEP,7	SA	1
6	DC90-02285A	2	WR0008	DC97-14654G	ASSY HOUSING DRAWER; HEBA-COMBO,WF8704RJA	SNA	1
7	WD8702RJH/XEC	1	WG0013	DC90-02323A	ASSY TUB & DRUM; HEBA-COMBO,WD8704EJZ/XFA	SNA	1
8	DC90-02285A	2	WY0016	DC93-00033A	ASSY DUCT SCROLL; HEBA-COMBO,WD8700,-,-,-	SA	1

No.	Parent	Lvl.	Loc.	Material Code	Description & Specification	SNA	Qty.
9	DC90-03529A	2	WJ5077	DC60-40146A	BOLT-SPANER; -,CR,-,T2.5,OD36,-,-,-,-	SA	1
10	DC90-03529A	2	WA5001	DC67-00307A	CAP-FIXER; WF438AAC/XAA,PP,T1.5,BLK,RM60	SA	4
11	DC90-03529A	2	WH5290	DC62-10289B	HOSE-WATER(C); WIP4013SRW,PVC+NYLON,ID10.	SA	1
12	DC90-03529A	2	WH5379	DC62-10278A	HOSE-HANGER; PUMP MODEL,PP,BLK,RM60 RESIN	SA	1

## 1.2. Frame&Cover Parts

### Exploded View



### Parts List

No.	Parent	Lvl.	Loc.	Material Code	Description & Specification	SNA	Qty.
1	DC90-03528A	2	WF0002	DC97-15019A	ASSY COVER BACK; HEBA-PJT,-,COVER BACK +	SA	1
2	DC90-03528A	2	WF0003	DC97-14953A	ASSY COVER TOP; HEBA-PJT,-,WOOD+AL FOIL+U	SA	1
3	DC90-03528A	2	WJ5003	DC97-14794C	ASSY FIXER TUB; SCOUT,WF0704L7W/XEF	SA	4
4	DC90-02285A	2	WE0076	DC29-00015E	FILTER-EMI; MINERVA-PJT,250VAC,15,D53*H71	SA	1
5	DC90-02285A	2	WF0008	DC97-15557A	ASSY FRAME PLATE(U); HEBA-COMBO,WD8704DJF	SNA	1
5-1	DC97-15557A	3	WP0086	DC61-02376A	BRACKET-DUCT SCROLL; HEBA-COMBO,GI,T0.8,W	SC	1
6	DC90-02285A	2	WF0102	DC61-02029B	SPRING ETC-HANGER; HEBA 7kg,HSWR,CD3.5,ID	SA	2
7	DC97-15688A	4	WI0266	DC61-02065A	GUIDE-SPRING; WF448AAG/XXA,POM,T4,W24,L25	SA	1

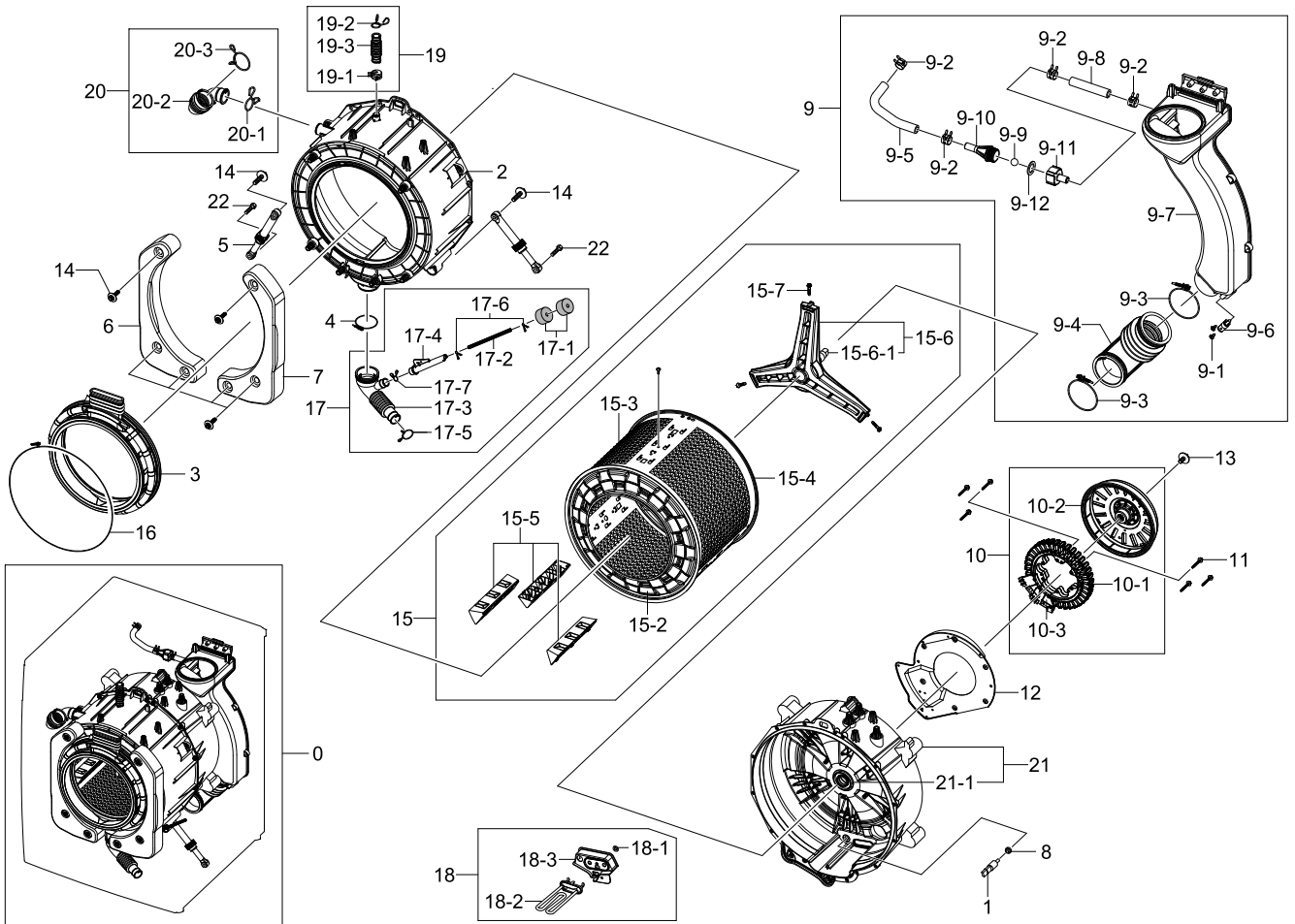
No.	Parent	Lvl.	Loc.	Material Code	Description & Specification	SNA	Qty.
8	DC90-02285A	2	WU5124	DC96-01533B	ASSY PUMP DRAIN; HEBA-PJT,WF8802,NO AIR V	SA	1
8-1	DC96-01533B	3	WU5008	DC31-00030A	PUMP-DRAIN; B20-6,220V,50Hz,-,HANYU	SA	1
8-2	DC96-01533B	3	WU0023	DC61-01951A	CASE-PUMP; WF8804DP,PP,T2.5,W128,L108,-,-	SNA	1
8-3	DC96-01533B	3	WI0203	DC63-00830A	COVER-PUMP; COVER-PUMP,PP,T2.1,W60.5,L75,	SNA	1
8-4	DC96-01533B	3	WO0031	DC63-00905A	CUSHION-PUMP; WF8802DPF/XET,NBR,-,W37.6,L	SNA	1
8-5	DC97-14637C	3	WH0017	DC63-10003C	ABSORBER SPONGE; SWF-P12,POL,GRY	SNA	1
8-6	DC96-01533B	3	WH5224	DC67-00244A	HOSE-DRAIN; HOSE-DRAIN,EPDM,ID6,OD11,T2.5	SA	1
8-7	DC96-01533B	3		DC69-01128A	PACKING-PUMP; WF8804DP,RUB-OTH,BUTYL,T2.5	SNA	1
8-8	DC96-01533B	3	WA0006	DC97-14278A	ASSY FILTER; HEBA-PJT,ASSY-FILTER,PP+EPDM	SA	1
8-8-1	DC97-14278A	4	WU0026	DC63-00865A	FILTER-PUMP; WF8804DP,PP,T1.7,W53,L66.95,	SNA	1
8-8-2	DC97-14278A	4	WI0357	DC64-01317A	HANDLE-FILTER; HANDLE-FILTER,PP,T2.5,W55,	SNA	1
8-8-3	DC97-14278A	4		DC73-00022A	SEAL-PACKING; SEW-HVR149ATA,EPDM,BLK,40	SNA	1
8-9	DC96-01533B	3		DD65-00001F	CLAMPER HOSE; SDW-H120,STEEL,-,D10.5/T1.2	SNA	1
9	DC90-02285A	2	WE0020	DC96-01703B	ASSY SENSOR PRESSURE; PURPLE PJT,PURPLE P	SA	1
10	DC90-01549A	2	WI0107	DC61-10673A	CAP-DRAIN; SWF-P12,PP,-,-,-,WHT,-	SNA	1
11	DC90-01549A	2	WE0016	DC96-00146A	ASSY POWER CORD; UCP2,250V/16A,-,1500/EUR	SC	1
12	DC90-01549A	2	WB5216	DC97-00920C	ASSY LEG; SEW-HW108,-,-,-,-,-	SC	4
13	DC90-01549A	2	WH5074	DC97-02250S	ASSY HOSE DRAIN(O); HEBA-COMBO,WD8704DJF,	SA	1
13-1	DC97-02250S	3	WH0013	DC67-00330B	HOSE-PUMP; WF8802DPF,PP,ID20.6,OD27,-,L18	SA	1
14	DC97-15365B	3	WI0322	DC64-01757A	SHUTTER; HEBA-PJT,PP,T3.0,-,-,WHT,7kg/DAN	SA	1
15	DC90-01549A	2	WF0004	DC97-15012G	ASSY FRAME; HEBA-COMBO,WD8704,GI,T1.0,COL	SA	1
16	DC90-02285A	2	WW0026	DC93-00048B	ASSY M.GUIDE WIRE HARNESS; HEBA-COMBO,WD8	SA	1
16-1	DC93-00048B	3	WW0027	DC93-00047B	ASSY M. WIRE HARNESS; HEBA-COMBO,WD8704RJ	SA	1
17	DC90-02285A	2	WZ0010	DC92-00247B	ASSY PCB MAIN; HEBA DD/GE WASHER,HEBA DD/	SA	1

Exploded Views and Parts List

No.	Parent	Lvl.	Loc.	Material Code	Description & Specification	SNA	Qty.
18	DC90-02285A	2	WI0196	DC63-01040A	COVER-PCB(M); WF9904RWE/XEU,ABS,T2.5,W196	SNA	1
19	DC90-01549A	2	WH5359	DC61-00274A	GUIDE-HOSE; P/PV/M,PP,-,-,WHT,FRAME/DRA	SA	1
20	DC90-02285A	2	WE0145	DC26-00009D	TRANS-REACTORV; -,SEW-3HR105,-,-,220V,60H	SA	1

### 1.3. AssyTub & Drum

#### Exploded View



#### Parts List

No.	Parent	Lvl.	Loc.	Material Code	Description & Specification	SNA	Qty.
0	WD8702RJH/XEC	1	WG0013	DC90-02323A	ASSY TUB & DRUM; HEBA-COMBO,WD8704EJZ/XFA	SNA	1
1	DC90-02323A	2	WE5178	DC32-00010A	THERMISTOR; -,11982OHM AT 25??,-,55~155	SA	1
2	DC90-02323A	2	WT0042	DC61-01933A	TUB-FRONT; HEBA PJT,FRPP,ID528,OD575,NTR,	SA	1
3	DC90-02323A	2	WD0067	DC64-01827A	DOOR-DIAPHRAGM; WD8704DJF,EPDM,T1.5,H83,W	SA	1
4	DC90-02323A	2		DC65-00021A	CLAMPER HOSE-JOINT; HEBA PJT,HSWR,-,ID74/	SNA	1
5	DC90-02323A	2	WB5201	DC66-00343D	DAMPER-SHOCK; GW-PJT,STEEL+PP+RUBBER,80N,	SA	2
6	DC90-02323A	2	WB0056	DC67-00434C	WEIGHT-BALANCER(F/L); GE24-PJT,CONCRETE,T	SA	1

Exploded Views and Parts List

No.	Parent	Lvl.	Loc.	Material Code	Description & Specification	SNA	Qty.
7	DC90-02323A	2	WB0055	DC67-00433C	WEIGHT-BALANCER(F/R); GE24,CONCRETE,T45,W	SA	1
8	DC90-02323A	2	WE0115	DC69-00824A	PACKING-THERMISTOR; GW-PJT,EPDM,EPDM,-,W1	SA	1
9	DC90-02323A	2	WY0006	DC93-00032A	ASSY DUCT CONDENSER; HEBA COMBO,WD8700,CO	SNA	1
9-1	DC93-00032A	3	WX0622	6002-001306	SCREW-TAPPING; TH,+,-,1,M4,L14,ZPC(WHT),S	SA	3
9-2	DC93-00032A	3		DC65-00008A	CLAMPER HOSE; SEW-DR605,SK5,-,-,YEL,ID14.	SNA	4
9-3	DC93-00032A	3		DC65-00021B	CLAMPER HOSE-JOINT; HEBA-PJT,HSWR,ID68,NT	SNA	2
9-4	DC93-00032A	3	WH5202	DC67-00369A	HOSE-CONDENSER; HEBA COMBO,EPDM,ID60,OD65	SA	1
9-5	DC93-00032A	3	WH5192	DC67-00418A	HOSE-WATER; HEBA-COMBO,EPDM,ID9,OD14.5,T2	SA	1
9-6	DC93-00032A	3	WE5045	DC90-10128M	ASSY THERMISTOR; 5V,Air,Condensing,Retain	SA	1
9-7	DC93-00032A	3	WY0025	DC93-00031A	ASSY S.DUCT CONDENSER; HEBA COMBO,WD8700,	SA	1
10	DC90-02323A	2	WS0004	DC96-01218E	ASSY DD BLDC MOTOR; DON800,25MM/AL WIRE/0	SA	1
10-1	DC96-01218E	3	WS0086	DC31-00074B	MOTOR BLDC-ASSY STATOR; DON800,0~1400,-,F	SA	1
10-2	DC96-01218E	3	WS0085	DC31-00075E	MOTOR BLDC-ASSY ROTOR; DON800,0~1400,-,Fr	SA	1
10-3	DC96-01218E	3	WE0111	DC31-00076A	MOTOR BLDC-ASSY HALL SENSOR; DON1300,0~12	SA	1
11	DC90-02323A	2	WX0557	6011-001627	BOLT-ETC; M6,L56,MFZn,SCM435,P1.0/HEX/WSP	SA	6
12	DC90-02323A	2	WI0188	DC63-01294A	COVER-MOTOR; SCOUT,EGI-SECC,T0.8,W75.1,L2	SA	1
13	DC90-02323A	2	WJ5031	DC97-06080A	ASSY BOLT; SEW-3HR107,BOLT+WASHER,-,-,-	SA	1
14	DC90-02323A	2	WJ5013	DC97-14263A	ASSY BOLT; HEBA-PJT,MOTOR/BOLT(M8)+WASHER	SA	8
15	DC90-02323A	2	WG0004	DC97-14373E	ASSY DRUM; HEBA PJT,-,7kg,1200RPM,-,-	SA	1
15-2	DC97-14373E	3	WG0054	DC66-00489A	DRUM-FRONT; HEBA PJT,STAINLESS-ST5430,ID4	SNA	1
15-3	DC97-14373E	3	WG0057	DC66-00501A	DRUM-WRAPPER; HEBA PJT/7.0kg,ST5430,ID492	SNA	1
15-4	DC97-14373E	3	WG0053	DC66-00492A	DRUM-BACK; HEBA PJT,ST5430,ID492,OD492.4,	SNA	1
15-5	DC97-14373E	3	WG0055	DC66-00493A	DRUM-LIFTER; HEBA PJT,PP-TI42,-,-,L246,NT	SA	3



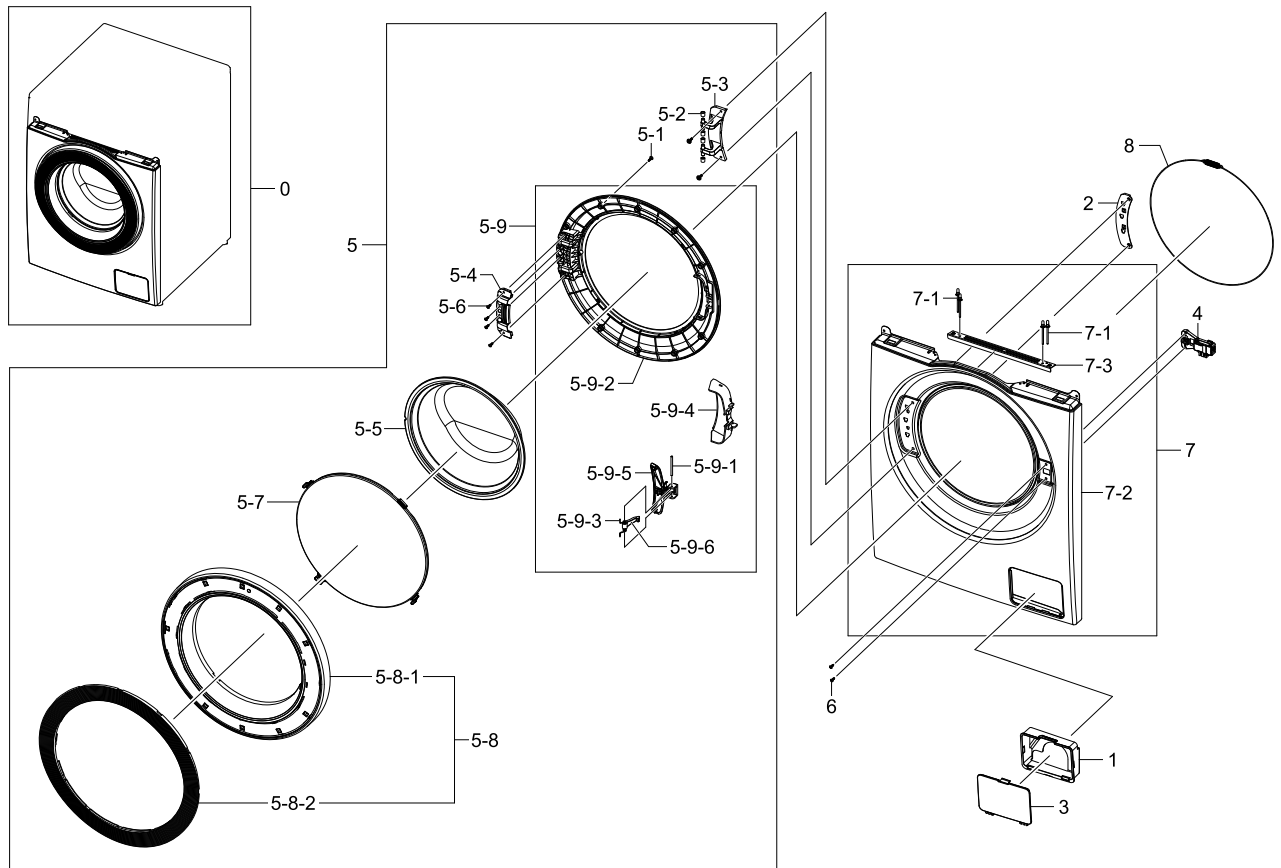
No.	Parent	Lvl.	Loc.	Material Code	Description & Specification	SNA	Qty.
15-6	DC97-14373E	3	WS0006	DC97-14370B	ASSY FLANGE SHAFT; HEBA PJT,-,-,1200RPM,-	SA	1
15-6-1	DC97-14346B	5	WS0167	DC66-00534A	SHAFT; HEBA PJT,SM45C,L171.4,OD30,-,-,7KG	SNA	1
15-7	DC97-14373E	3	WJ5081	DC60-40137A	BOLT-HEX; MARS-PJT,STS430,M8,-,P1.25,L30,	SA	3
16	DC90-02323A	2	WJ0002	DC97-14618A	ASSY CLAMP DIAPHRAGM; WF8804DP,OD2.0/L243	SA	1
17	DC90-02323A	2	WH5372	DC97-14637C	ASSY HOSE PRESSURE; HEBA-COMBO,WD8704DJF,	SA	1
17-1	DC97-14637C	3	WH0017	DC63-10003C	ABSORBER SPONGE; SWF-P12,POL,GRY	SNA	1
17-2	DC97-14637C	3		DC67-00230E	HOSE-WATER; WD8704,TPE,ID4.5,OD8.0,T1.75,	SNA	1
17-3	DC97-14637C	3	WH0012	DC67-00293A	HOSE-FILTER TUB; HEBA-PJT,EPDM,-,-,T2.5,-	SA	1
17-4	DC97-14637C	3		DC67-00297A	HOSE-JOINT AIR; HEBA & Aegis-PJT,PP,ID22,OD	SNA	1
17-5	DC97-14637C	3	WJ0027	DC72-00001H	CLIP-RING; HEBA-PJT,HSWR,PI3.0,ID35,WHT,H	SNA	1
17-6	DC97-14637C	3	WP0165	DC61-70029C	SPRING-CLIP; SEW-HW125,HSWR,CD1.2,ID8.3,O	SA	1
17-7	DC97-14637C	3	WJ0027	DC65-60125B	CLIP-RING; HSWR,T2.4,PI25,YEL	SNA	1
18	DC90-02323A	2	WE0010	DC97-14827F	ASSY HEATER; HEBA,230V/ 2000W,NORMAL/GRAY	SA	1
18-1	DC97-14827F	3	WJ0083	6031-001531	WASHER-PLAIN; SCP1,ID7,OD14,T1.2,ZPC2(YEL	SNA	1
18-2	DC97-14827F	3	WE0155	DC47-00033B	HEATER-WASH; HEBA,SUS316L,2000,8.69,230V,	SA	1
18-3	DC97-14827F	3	WE0060	DC63-00889A	COVER-HEATER; WF438AAG,ABS+PC,T3.0,W160.0	SA	1
19	DC90-02323A	2	WH5017	DC97-14873B	ASSY HOSE AIR; HEBA,WF8702,-,L150,OD25,BL	SA	1
19-1	DC97-14873B	3		DC61-00158A	CLAMPER HOSE; SW65ASP,SK5,ID23,T0.8/YEL	SNA	1
19-2	DC97-14873B	3	WJ0027	DC65-60118J	CLIP-RING; HSWR,WHT,PI2.0/ID23	SNA	1
19-3	DC97-14873B	3	WH5206	DC67-00354A	HOSE-AIR; HEBA PJT,EPDM,-,-,T2.5,-,BLK,7k	SA	1
20	DC90-02323A	2	WH5375	DC97-14874C	ASSY HOSE DRAWER; HEBA BIGBANG,WF0800NCE,	SA	1
20-1	DC97-14873B	3	WJ0027	DC65-60118J	CLIP-RING; HSWR,WHT,PI2.0/ID23	SNA	1
20-2	DC97-14874C	3	WH5191	DC67-00422A	HOSE-DRAWER TUB; HEBA-PJT,EPDM,ID42.5,OD4	SA	1
20-3	DC97-14874C	3	WJ0027	DC72-00001G	CLIP-RING; HEBA-PJT,HSWR,T2.4,ID49.5,W21.	SNA	1

## Exploded Views and Parts List

No.	Parent	Lvl.	Loc.	Material Code	Description & Specification	SNA	Qty.
21	DC90-02323A	2	WT0007	DC97-15518A	ASSY TUB BACK; HEBA COMBO,WD8704DJF,7kg,8	SA	1
21-1	DC97-15518A	3	WS0119	DC62-00008A	SEAL-OIL; -,NBR(SD35),BLK,-,-,NBU(PI15)	SA	1
22	DC90-02285A	2	WX0558	6011-001644	BOLT-HEX; M10,L35,ZPC2(YEL),SM10C,DAMPER	SA	2

## 1.4. Assy FrameFront&Door

### Exploded View



### Parts List

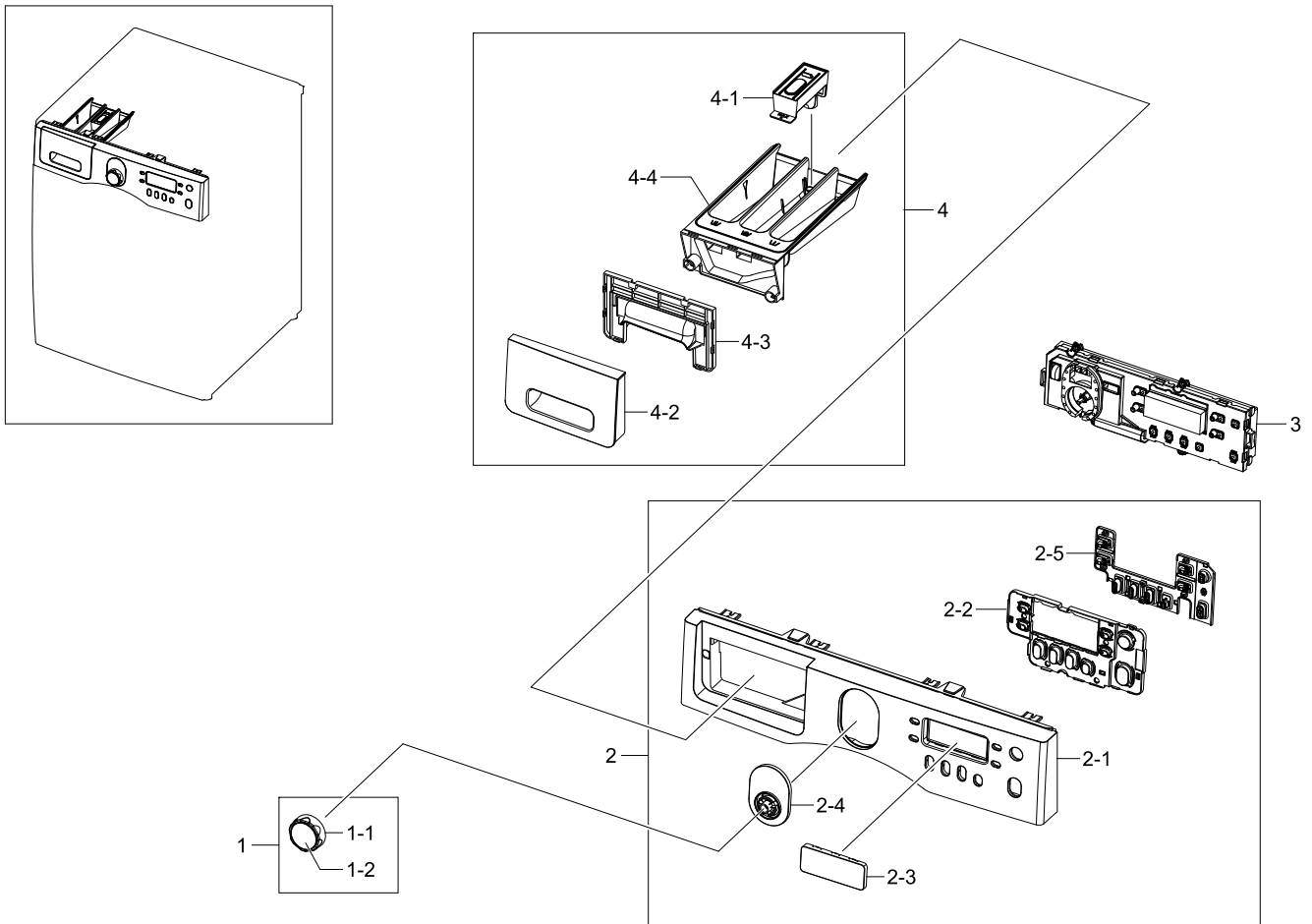
No.	Parent	Lvl.	Loc.	Material Code	Description & Specification	SNA	Qty.
0	DC90-03528A	2	WF0005	DC97-15897E	ASSY FRAME FRONT; HEBA COMBO,WD8702RJH/XE	SNA	1
1	DC97-15897E	3	WI0248	DC61-01917A	GUIDE-FILTER; WF8804DP,PP,T2.5,W300,L200,	SA	1
2	DC97-15897E	3	WP0101	DC61-01919A	BRACKET-HINGE; WF8804DP,GI,T1.4,W30,L150,	SA	1
3	DC97-15897E	3	WI0167	DC63-00854A	COVER-FILTER; WF8804DP,ABS,T2.0,W300,L200	SA	1
4	DC97-15897E	3	WE0067	DC64-01538A	DOOR-LOCK S/W; ZV-446L5,PA66,T19.5,-,W95.	SA	1
5	DC97-15897E	3	WD0003	DC97-14343H	ASSY DOOR; HEBA COMBO,WD8702RJH,SIL DOOR+	SNA	1
5-1	DC97-14343H	4	WX0621	6002-000444	SCREW-TAPPING; TH,+,2,M4,L14,PASS,STS430	SA	12
5-2	DC97-14343H	4	WD0090	DC61-00891A	GUIDE-HINGE; HAUZEN(DOM),POM,-,-,-,WHT,HI	SA	4
5-3	DC97-14343H	4	WD0096	DC61-01910A	HINGE-DOOR; WF8804DP,ALDC,T5.0,W30,L150,-	SA	1

## Exploded Views and Parts List

No.	Parent	Lvl.	Loc.	Material Code	Description & Specification	SNA	Qty.
5-4	DC97-14343H	4	WP0103	DC61-01915B	BRACKET-HOLDER; WF8804DP,GI,T1.2,W45,L160	SA	1
5-5	DC97-14343H	4	WD0070	DC64-01521A	DOOR-GLASS; WF8804DP,NON-HeatTreatment GL	SA	1
5-6	DC90-03528A	2	WX0622	6002-001306	SCREW-TAPPING; TH,+,-,1,M4,L14,ZPC(WHT),S	SA	4
5-7	DC97-14343H	4	WD0079	DC64-01897A	DOOR-SAFETY; WD8704DJF,PET,T2.5,H24.1,W32	SA	1
5-8	DC97-14343H	4	WD0001	DC97-14328J	ASSY COVER DOOR; HEBA COMBO,WD8702RJH/XEC	SA	1
5-8-1	DC97-14328J	5	WD0037	DC63-00855D	COVER-DOOR; WD8702RJH,ABS,T3.0,W480,L480,	SNA	1
5-8-2	DC97-14328J	5	WD0046	DC64-01523C	DECORATION-COVER DOOR; WF8802DPF,ABS,T2.7	SNA	1
5-9	DC97-14343H	4	WD0010	DC97-15375A	ASSY HOLDER GLASS; HEBA,ALL,PP,T3.0,480*4	SNA	1
5-9-1	DC97-15375A	5	WJ0064	6043-001093	PIN-PARALLEL(KEY); A,OD3,L40,PASS,STS204	SA	1
5-9-2	DC97-15375A	5	WD0104	DC61-01909A	HOLDER GLASS; WF8804DP,PP,T3.0,W480,L480,	SA	1
5-9-3	DC97-15375A	5	WD0130	DC61-02027A	SPRING ETC-LEVER; STAINLESS-STS304,CD1.2,	SA	1
5-9-4	DC97-15375A	5	WI0153	DC63-00853A	COVER HANDLE; WF8804DP,ABS,T2.5,W60,L125,	SA	1
5-9-5	DC97-15375A	5	WD0093	DC64-01524A	HANDLE DOOR; WF8804DP,ABS,T2.5,W25,L125,-	SA	1
5-9-6	DC97-15375A	5	WD0114	DC66-00497A	LEVER-DOOR; WF8804DP,ZNDC,T10,W10,L35,-,-	SA	1
6	DC97-15897E	3		6002-001435	SCREW-TAPPING; TH,+2,M4,L12,PASS,STS430	SNA	2
7	DC97-15897E	3	WF0006	DC97-15021A	ASSY FRAME FRONT(S); HEBA-PJT,-,-,-,DA	SA	1
7-1	DC97-15021A	4	WJ0072	6041-001035	RIVET-RH; K1661-0512,AL(A5052),OD3.9,L11,	SNA	8
7-2	DC97-15021A	4	WF0082	DC61-01916A	FRAME-FRONT; WF8804DP,EGI,-,-,WHT,T0.8,W5	SNA	1
7-3	DC97-15021A	4	WP0095	DC61-01981A	BRACKET-FRAME; WF8804DP,GI,T0.8,W20,L310,	SA	1
8	DC90-03528A	2	WJ0008	DC91-12078D	ASSY WIRE DIAPHRAGM; HEBA-PJT,-,-,-,-	SA	1

## 1.5. Panel Control&Drawer

### Exploded View



### Parts List

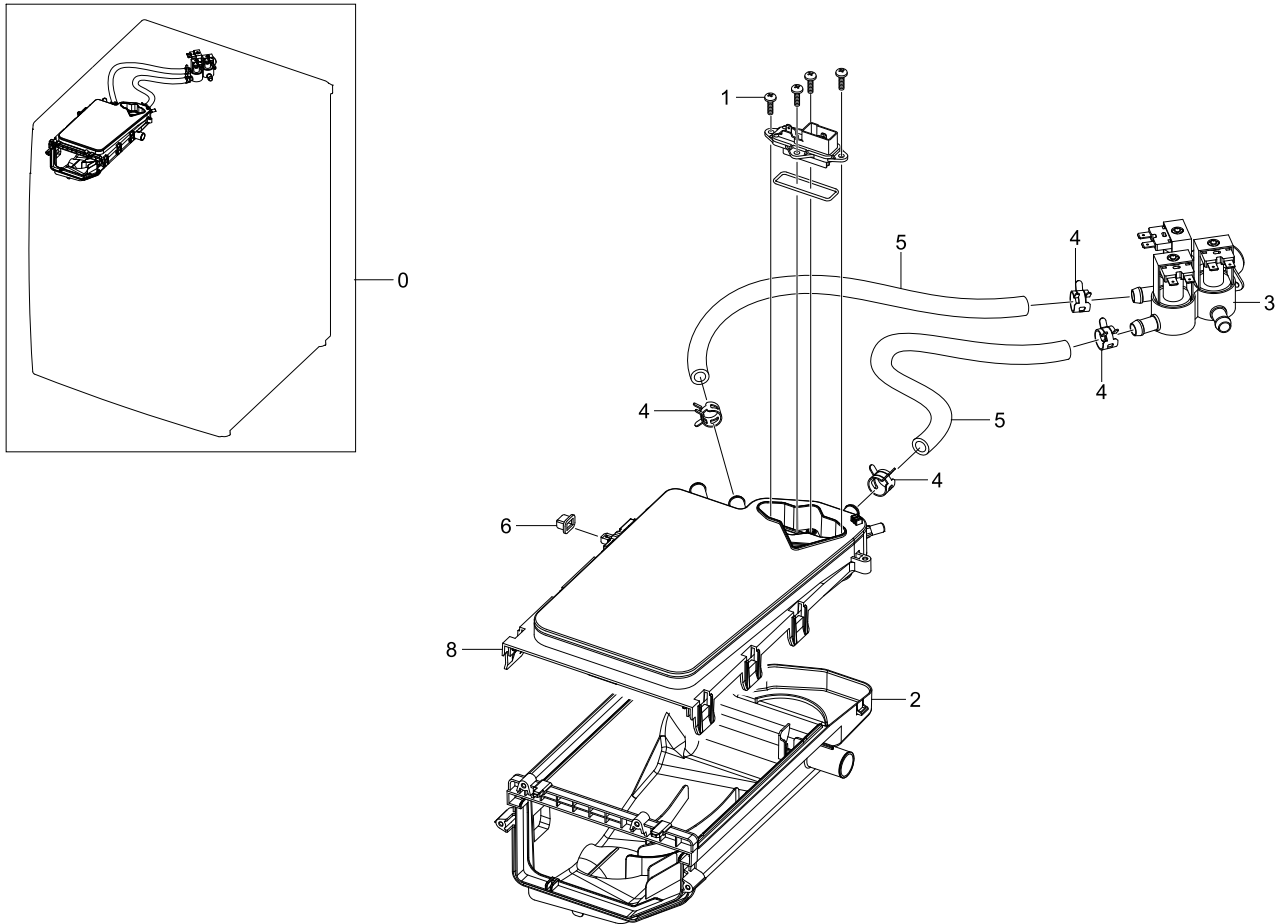
No.	Parent	Lvl.	Loc.	Material Code	Description & Specification	SNA	Qty.
1	DC90-03528A	2	WC0009	DC97-14576C	ASSY KNOB ENCODER; HEBA BEST,WF8802DP,SIL	SA	1
1-1	DC97-14576C	3	WC0101	DC64-01534A	KNOB-ENCODER; HEBA-PJT,ABS,T2.0,PI51.0,H3	SNA	1
1-2	DC97-16502A	4	WC0077	DC64-01536B	DECORATION-ENCODER; HEBA-PJT,PC,T1.0,W41.	SNA	1
2	DC90-03528A	2	WC0016	DC97-15805D	ASSY PANEL CONTROL; HEBA COMBO,WD8702RJH/	SA	1
2-1	DC97-15805D	3	WC0122	DC64-01528A	PANEL-CONTROL; HEBA-PJT,ABS,T2.5,-,-,-,WH	SNA	1
2-2	DC97-15805D	3	WC0053	DC64-01529A	BUTTON-PUSH(F); HEBA-PJT,ABS,-,-,WHT,SILK	SA	1
2-3	DC97-15805D	3	WC0140	DC64-01531A	WINDOW-PANEL; HEBA-PJT,ABS,T2.0,-,-,-,BLK	SNA	1
2-4	DC97-15805D	3	WC0135	DC64-01533A	WINDOW-ENCODER; HEBA,ABS,T2.0,-,-,-,BLK,H	SNA	1

Exploded Views and Parts List

No.	Parent	Lvl.	Loc.	Material Code	Description & Specification	SNA	Qty.
2-5	DC97-15805D	3	WC0059	DC64-01535A	BUTTON-RUBBER; HEBA-PJT,SILICONE,-,-,NTR,	SNA	1
3	DC90-03528A	2	WZ0025	DC92-00248G	ASSY PCB SUB; HEBA DD SUB,WD8702RJA/XEP,7	SA	1
4	DC90-03528A	2	WR0005	DC97-15040A	ASSY DRAWER; WF8804DP,HEBA/WHT,-,-,-,-	SA	1
4-1	DC97-15040A	3	WR0046	DC61-01741A	STOPPER-DRAWER; -,PP,-,-,-,-,SGEC	SA	1
4-2	DC97-15040A	3	WC0123	DC64-01526A	PANEL-DRAWER; HEBA-PJT,ABS,T2.5,W183.8,L1	SNA	1
4-3	DC97-15040A	3	WR0038	DC64-01527A	HANDLE-DRAWER; HEBA-PJT,ABS,T2.0,-,-,-,WH	SNA	1
4-4	DC97-15040A	3	WR0029	DC61-01740B	BODY-DRAWER; WF-J1254/XAA,PP(TB53),-,-,-,	SA	1

## 1.6. Assy Housing Drawer

### Exploded View



### Parts List

No.	Parent	Lvl.	Loc.	Material Code	Description & Specification	SNA	Qty.
0	DC90-02285A	2	WR0008	DC97-14654G	ASSY HOUSING DRAWER; HEBA-COMBO,WF8704RJA	SNA	1
1	DC90-02323A	2	S0025	6002-000234	SCREW-TAPPING; TH,+,NO,2S,M4,L16,ZPC(WHT)	SNA	1
2	DC97-14654G	3	WR0050	DC61-02434A	HOUSING-DRAWER L; HEBA-PJT,PP,T1.8,NTR	SA	1
3	DC97-14654G	3	WE5144	DC62-00142A	VALVE-WATER; SEW-810DR,-,0.33L/5L/10L,220	SA	1
4	DC93-00032A	3		DC65-00008A	CLAMPER HOSE; SEW-DR605,SK5,-,-,YEL,ID14.	SNA	4
5	DC93-00032A	3	WH5267	DC67-00051B	HOSE-DRAWER; Q1636GW/XEU,EPDM,ID9.0,OD14.	SA	0

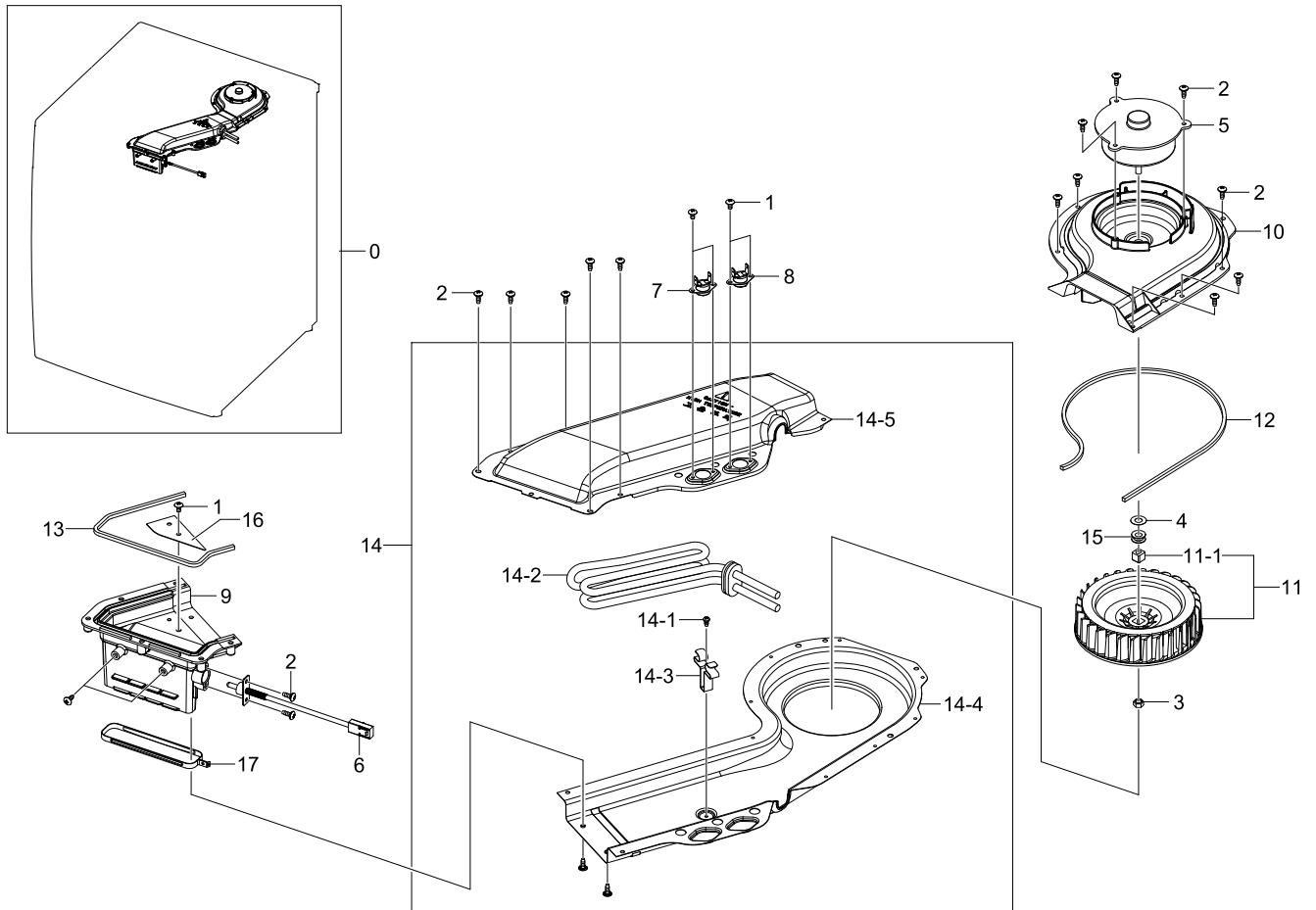
## Exploded Views and Parts List

No.	Parent	Lvl.	Loc.	Material Code	Description & Specification	SNA	Qty.
6	DC97-14654G	3		DC67-00327A	CAP-DRAWER HOOK; HEBA-PJT,EPDM,T1.1,W13.9	SNA	1
8	DC97-14654G	3	WR0012	DC97-14656B	ASSY S.HOUSING DRAWER; HEBA-PJT,-,PP,8kg,	SA	1



## 1.7. Assy Duct Scroll

### Exploded View



### Parts List





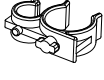


No.	Parent	Lvl.	Loc.	Material Code	Description & Specification	SNA	Qty.
0	DC90-02285A	2	WY0016	DC93-00033A	ASSY DUCT SCROLL; HEBA-COMBO,WD8700,-,-,-	SA	1
1	DC92-00248G	3	WX0419	6002-000239	SCREW-TAPPING; TH,+,NO,2S,M4,L8,ZPC(WHT),	SA	2
2	DC90-03528A	2	WX0441	6002-000520	SCREW-TAPPING; TH,+,-,2,M4,L12,ZPC(WHT),S	SA	3
3	DC93-00033A	3	WJ0055	6021-000225	NUT-HEXAGON; 2C,M6,ZPC(YEL),SM20C	SNA	1
4	DC93-00033A	3	WJ0083	6031-001500	WASHER-PLAIN; N6M03,-,ID8,OT17,T0.2,-,-	SNA	1
5	DC93-00033A	3	WS0087	DC31-00032D	MOTOR BLDC-FAN; DL-7806SSWC,1900,-,17.5VD	SA	1
6	DC93-00033A	3	WE5180	DC32-00004C	THERMISTOR; PTM-K51F-S16,R=3.3K $\frac{1}{1}$ %(at	SA	1
7	DC93-00033A	3	WE5166	DC47-00016B	THERMOSTAT; -,PW-3V,250,25A,-35,125+-5.0,	SA	1

## Exploded Views and Parts List

No.	Parent	Lvl.	Loc.	Material Code	Description & Specification	SNA	Qty.
8	DC93-00033A	3	WE5165	DC47-00016C	THERMOSTAT; -,PBR380P,250,16A,-35,125+-5.	SA	1
9	DC93-00033A	3	WY0082	DC61-02224A	HOUSING-FAN(L/F); HEBA-COMBO,Nylon#66,T2.	SA	1
10	DC93-00033A	3	WY0085	DC61-02229A	HOUSING-FAN(U/R); HEBA-COMBO,Nylon#66,T3.	SA	1
11	DC93-00033A	3	WY0076	DC67-00366A	FAN-DRY; HEBA,NYLON,OD138.0,30EA,T2.0,HEB	SNA	1
11-1	DC67-00366A	4	WY0053	DC61-01096A	BUSH-FAN; SEW-DR605/COMBI,ZNDC,10.4*10.4,	SNA	1
12	DC93-00033A	3	WO0044	DC69-01039E	PACKING-DUCT; WM PW01 FWM MODEL,Rubber,SI	SNA	1
13	DC93-00033A	3	WO0044	DC69-01039G	SEAL DUCT; WM PW01 FWM MODEL,Rubber,OTHER	SNA	1
14	DC93-00033A	3	WY0019	DC93-00056A	ASSY DUCT SCROLL-SUB; HEBA-COMBO,WM PW01	SA	1
14-1	DC93-00056A	4	S0025	6002-000231	SCREW-TAPPING; TH,+ ,NO,2S,M4,L12,ZPC(WHT)	SNA	1
14-2	DC93-00056A	4	WE0095	DC47-00008F	HEATER-DRY; -,HEBA-DD COMBO,Incoloy800,16	SA	1
14-3	DC93-00056A	4	WP0099	DC61-02643A	BRACKET-HEATER; WD8754CJZ,STAINLESS-STS43	SNA	1
14-4	DC93-00056A	4	WY0081	DC61-02225A	HOUSING-FAN(L); HEBA-COMBO,STS430,T0.6,W2	SNA	1
14-5	DC93-00056A	4	WY0084	DC61-02226A	HOUSING-FAN(U/F); HEBA-COMBO,STS430,T0.6,	SNA	1
15	DC93-00033A	3	WT0033	DC62-00191A	SEAL-WATER; SEW-DR605,NBR,ORG,-,-,-,RUBBE	SNA	1
16	DC93-00033A	3	WI0181	DC63-01067A	COVER-HOUSING DUCT; HEBA-COMBO,STAINLESS-	SNA	1
17	DC90-02285A	2	WJ0041	DC66-00504A	JOINT-DIAPHRAGM; WF8804DP,EGI,-,-,T1.0,11	SA	1

## 1.8. Small Parts

### Exploded View

						
1	2	3	4	5	6	7

### Parts List

No.	Parent	Lvl.	Loc.	Material Code	Description & Specification	SNA	Qty.
1	DC90-01549A	2	WI0293	DC61-00995C	HOLDER-WIRE; HEBA-PJT,Others,ID26,W6,L145	SA	1
2	DC90-01549A	2	WI0293	DC61-01736A	HOLDER-WIRE; SEW-HKR149ATA,NYLON66,-,-,12	SA	1
3	DC90-01549A	2	WI0293	DC61-40081A	HOLDER-WIRE; DAWH-2NC,PA,NTR(PI18.5)	SA	11
4	DC90-01549A	2	WI0293	DC61-40083A	HOLDER-WIRE; DAWH-3ND,NYLON,NTR(PI25)/NYL	SNA	1
5	DC90-01549A	2		DC61-00133A	CLAMPER HOSE-FIX; P1291,PP,ID24.5,OD29.5,	SNA	1
6	DC92-00248G	3		6502-000154	CABLE CLAMP; DAFC-2500,-,T15,NYLON#6/6,NT	SNA	1
7	DC90-01549A	2		DC61-00118A	CLAMPER HOSE-FIX; P1291,NYLON66,ID27,OD30	SNA	1