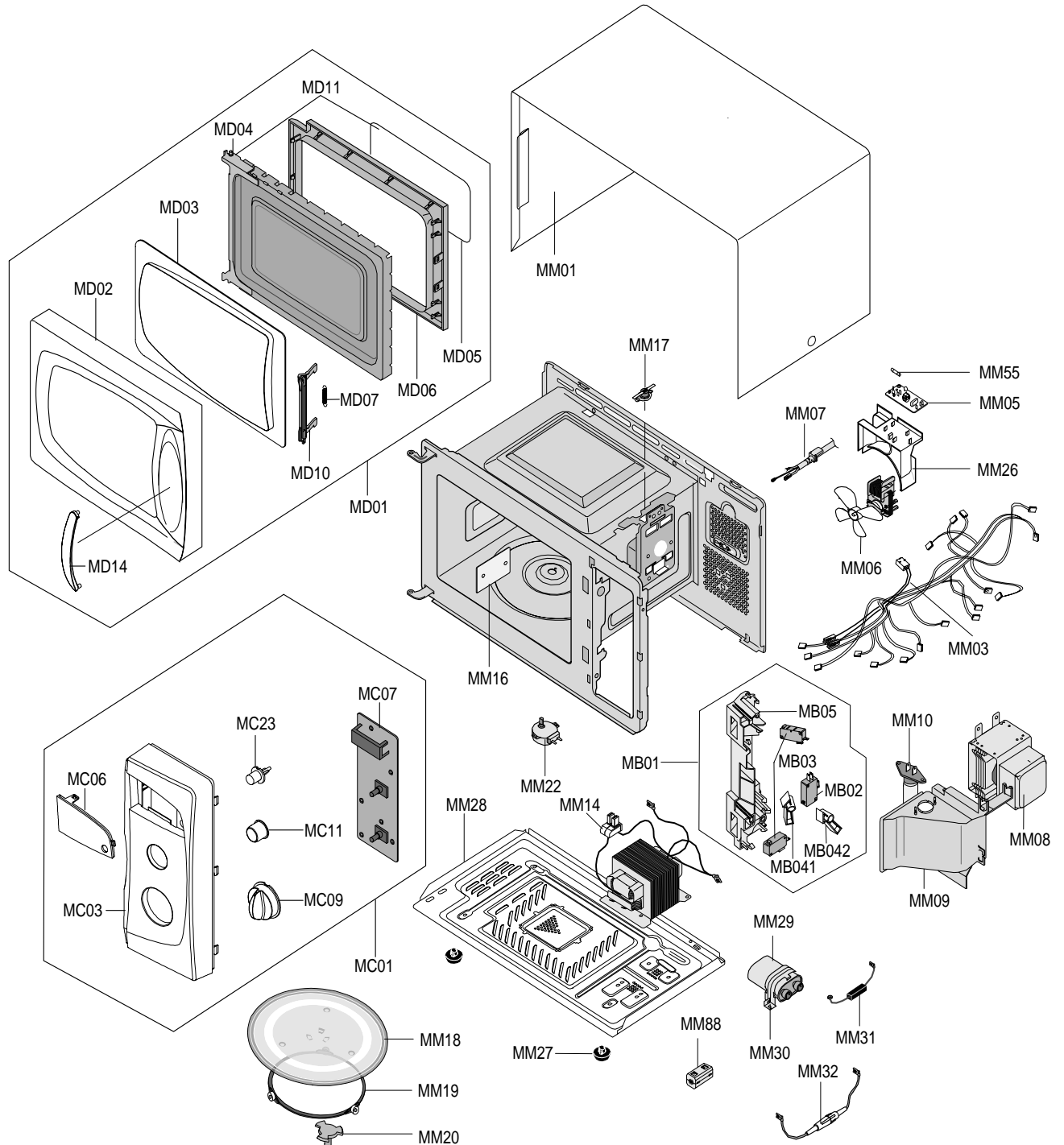


7. Exploded Views and Parts List

7-1 Exploded Views



7-2 Main Parts List

No.	Code No.	Description	Specification	Q'ty	Remark
MB01	DE96-00120B	ASSY BODY LATCH	M1717N,NC2000(HANDLE)	1	
MB02	3405-000175	SWITCH-MICRO	250V,15A,200gf,SPST-NO	1	
MB03	3405-000178	SWITCH-MICRO	250V,15A,200gf,SPST-NO	2	
MB041	DE66-00093A	LEVER-SWITCH(A)	NC2000,PP-TH53,-,-,-,N	1	
MB042	DE66-00094A	LEVER-SWITCH(B)	NC2000,PP-TH53,-,-,-,N	1	
MB05	DE72-00137A	BODY-LATCH	NC2000(0.6/0.8/1.2),PP,-,-,-,	1	
MM01	DE70-00184P	PANEL-OUTER	MW850WA,C/STEEL,T0.5,-,-,-,P	1	WHITE
MM01	DE70-00184D	PANEL-OUTER	NC-2000,SECC,T0.5,PORCHE-BLUE,0.6-0.8	1	BLUE
MM03	DE39-00147C	WIRE HARNESS-A	M1733N,-,-,-,-,-,-,-,-,	1	
MM05	DE96-00010C	ASSY NOISE FILTER	SN-3WED(12),250V12A,EU	1	
MM06	DE96-00031A	ASSY-MOTOR FAN	SMF-3RDEA,230V50HZ,2400RP	1	
MM07	DE39-00224A	ASSY POWER CORD	M308,-,KDK-4819D,250V6A,	1	
MM08	OM75P(31)ERHT	ASSY-MAGNETRON	OM75P(31)ERHT	1	
MM09	DE71-60457B	COVER-AIR	3RD-0.7(BTM),PP,-,-,-,-,-	1	
MM10	4713-001046	LAMP-INCANDESCENT	240V,104mA,25W,ORG,-,-	1	
MM14	DE26-00080A	TRANS-H.V	SHV-EURO2,230V,50HZ,2340V/3.3V	1	
MM16	DE71-00151A	COVER-MGT	MW850WA,PP,T2,W54,L129,-,GE-WH	1	
MM17	DE47-20008A	THERMOSTAT	PW2N-52JC,100/60,250V/7.5A,H,	1	
MM18	DE74-20102D	TRAY-COOKING	GLASS,T6,-,890g	1	
MM19	DE97-00193B	ASSY-GUIDE ROLLER	NC2000 0.6,T2*P1198(14	1	
MM20	DE67-00140A	COUPLER	NC2000(0.6~0.8),PPS(ESS840),-,3G	1	
MM22	DE31-10154A	MOTOR SYNCHRONOUS	M2HJ49ZR02,ST-16,50/60	1	
MM26	DE71-00148A	COVER-BLOWER	MW850WA,PP,T1.5,-,-,-,NTR,N	1	
MM27	DE61-40066A	FOOT	-,PP,-,BLK,-,-,-	2	
MM28	DE80-00023A	BASE-PLATE	MW850WA,SGCC1,T0.6,-,-,NC2000	1	
MM29	2501-001011	C-OIL	910nF,2100V,BK,54x35x75mm,20mm	1	
MM30	DE61-00139A	BRACKET-HVC	NC2000,SECC,T0.8,-,-,-,0.6/0	1	
MM31	DE59-00002A	DIODE-H.V	ESJC13-12B,12KV,-,-,-,MWO ALL,	1	
MM32	DE91-70061B	ASSY-H.V.FUSE	THV060T-0750-H,5KV/0.75A,R	1	
MM55	3601-001019	FUSE-CARTRIDGE	250V,12A,SLOW-BLOW,CERAMI	1	
MM88	DE73-90027B	FERRITE	RU65(RU15*28.6*6.5),-,M2L(FE2O3+	1	

7-3 Control & DOOR Parts List

No.	Code No.	Description	Specification	Q'ty	Remark
MC01	-	ASSY CONTROL-BOX	-	1	S.N.A
MC03	DE64-00499A	CONTROL-PANEL(E)	M182DN,ABS(HG0760),-,,-,	1	WHITE
MC03	DE64-00499K	CONTROL-PANEL(E)	M182DN-B/XEC,ABS(HG0760),PORCHE-BLUE	1	BLUE
MC06	DE64-00505A	WINDOW-DISPLAY	M187DN,SAN(CR5381),-,,-,	1	
MC07	RC-EASY13-00	ASSY PCB PARTS	M182DN,230V50HZ	1	
MC09	DE64-00509A	KNOB-POWER(E)	M182DN,ABS(HG0760),-,,-,-	1	WHITE
MC09	DE64-00509H	KNOB-POWER(E)	M182DN-B/XEC,ABS(HG0760),PORCHE-BLUE	1	BLUE
MC11	DE64-00508A	KNOB-TIMER(E)	M182DN,ABS(HG0760),-,,-,-	1	WHITE
MC11	DE64-00508D	KNOB-TIMER(E)	M182DN-B/CE282DN-B,ABS(HG0760),PORCHE	1	BLUE
MC23	DE64-00517A	BUTTON-CLOCK	M187DN,SAN,-,-,SMOG,C-DESIG	1	
MC41	DE63-00108A	CUSHION-PCB	M182DN/M187DN,PUT-FOAM,T10,W	1	
MD01	-	ASSY DOOR	-	1	S.N.A
MD02	DE64-00494A	DOOR-A	M181DN,ABS(HG0760),-,,-,-,W9501,	1	WHITE
MD02	DE64-00494K	DOOR-A	2DN-B/CE282DN-B,ABS(HG0760),PORCHE	1	BLUE
MD03	DE64-00496A	SCREEN-DOOR	M181DN,SAN(CR5381),-,,-,-,G	1	
MD04	DE94-00351B	ASSY DOOR-E(COATING)	MW850WA,BLK-COATING	1	
MD05	DE64-00221B	FILM-DOOR	-,-,T0.13,W264*L143,-,-,-,NC08	1	
MD06	DE64-40008B	DOOR-C	-,PP,CE745G,-,-,-,BLK,-	1	
MD07	DE61-00198A	SPRING-KEY	M1877,HSWR,D6,-,-,23 1/4,23 1	1	
MD10	DE64-00211A	DOOR-KEY	NC2000(0.6/0.8/1.2),PP,-,BLK,-,	1	
MD11	DE94-00459A	ASSY DOOR-SUB	MW850WA,BLK,DOOR-E+FILM	1	
MD14	DE64-00504B	HANDLE-DOOR	M182DN/M187DN,ABS(HG0760),-,	1	

S.N.A : SERVICE NOT ASSEMBLY

7-4 Standard Parts List

Code No.	Description	Specification	Q'ty	Remark
DE60-30016A	NUT-FLANGE	M4,MSWR10,-,-,-,-,-,-,-,-	2	F/MOTOR
DE60-10082H	SCREW-A	-,-,-,-,-,2S-4X12,TOOTHED,-,-,-,-,-	1	C/BOX
DE60-10082H	SCREW-A	-,-,-,-,-,2S-4X12,TOOTHED,-,-,-,-,-	4	O/PANEL
DE60-10098A	SCREW-ASSY TAP TITE	-,GLD,SWRCH18A,ZPC2,PH,TC,-,M4X8,WT,-	1	D/MOTOR
DE60-10098A	SCREW-ASSY TAP TITE	-,GLD,SWRCH18A,ZPC2,PH,TC,-,M4X8,WT,-	1	HVD
DE60-10088A	SCREW-TAP PH	-,-,FEFZY,PLAIN,PH,M3,-,L8,-,-	6	PCB
DE60-10063A	SCREW-TAP TH	-,-,FEFN,-,TH,M4,-,L12,-,-	1	O/PANEL
DE60-10070A	SCREW-TAP TH	-,-,FEFZY,2-SLOT,TH,M4,-,L12,-,-	1	AIR/COVER
DE60-10070A	SCREW-TAP TH	-,-,FEFZY,2-SLOT,TH,M4,-,L12,-,-	2	B/LATCH
DE60-10070A	SCREW-TAP TH	-,-,FEFZY,2-SLOT,TH,M4,-,L12,-,-	3	B/PLATE
DE60-10070A	SCREW-TAP TH	-,-,FEFZY,2-SLOT,TH,M4,-,L12,-,-	1	C/BLOWER
DE60-10069A	SCREW-TAP TH	-,-,FRFZY,-,TH,M4,-,L10,-,-	2	HANDLE
DE60-10012A	SCREW-TAP TITE	-,SWR10,M4,L10,TH,+,-,3,ZPC2,-	1	N/P EARTH
DE60-10012A	SCREW-TAP TITE	-,SWR10,M4,L10,TH,+,-,3,ZPC2,-	1	P/C EARTH
DE60-10012A	SCREW-TAP TITE	-,SWR10,M4,L10,TH,+,-,3,ZPC2,-	1	PCB EARTH
DE60-10012A	SCREW-TAP TITE	-,SWR10,M4,L10,TH,+,-,3,ZPC2,-	1	TCO-S/W
DE60-10012A	SCREW-TAP TITE	-,SWR10,M4,L10,TH,+,-,3,ZPC2,-	1	B/COVER
DE60-10080B	SCREW-WASHER	-,2S,SWRCH18A,ZP2,PH,PI5,-,L10,-,-	4	HVT
DE60-10080B	SCREW-WASHER	-,2S,SWRCH18A,ZP2,PH,PI5,-,L10,-,-	4	MGT
DE60-40006A	WASHER-BRAZE	VAGCU28,OD16,ID12,T0.05,-,-,-,-	2	-