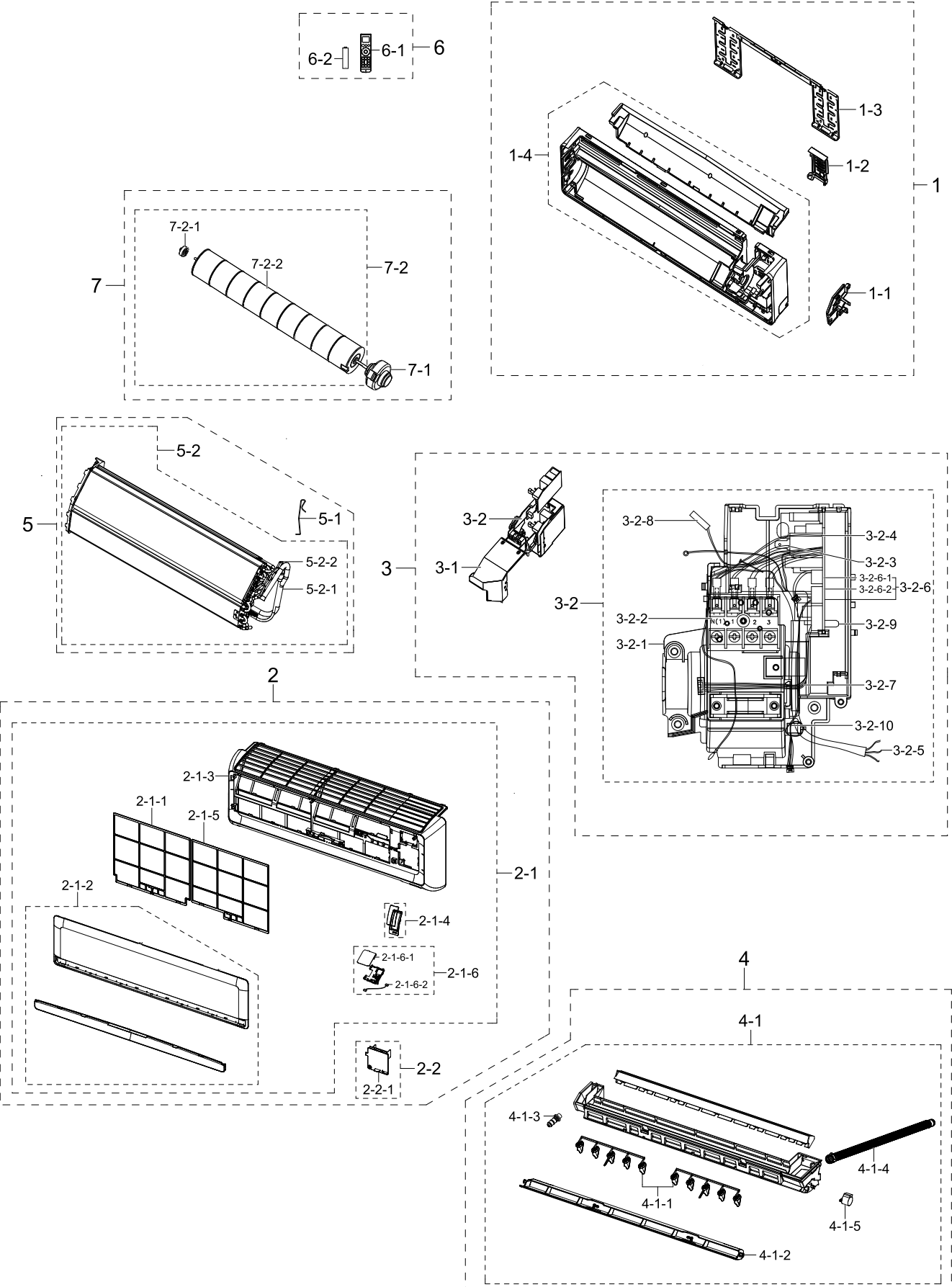


1. AQV09UGFNEUR

Exploded View



Parts List

No.	Lvl.	Loc.	Material Code	Description & Specification	SNA	Qty.
1	1	A0152	DB90-04353A	ASSY CABI IN PARTS; SSEC	SNA	1
1-1	2		DB61-03651B	SUPPORT-EVAP RH; VIVALDI,ABS,BLACK	SA	1
1-2	2	H0286	DB61-03666A	HOLDER-PIPE; VIVALDI,HIPS,T2.0,63.5,183.7	SA	1
1-3	2	A1839	DB97-02851C	ASSY-PLATE HANGER; vivaldi 1,ssec	SA	1
1-4	2	RO741	DB94-01921M	ASSY BACK BODY; WHITE,VIVALDI1,SSEC	SA	1
2	1	A1698	DB92-02291A	ASSY PANEL FRONT PARTS; INV,INV,SSEC	SNA	1
2-1	2	A1698	DB92-02553C	ASSY PANEL FRONT; VIVALDIS 1,SSEC	SA	1
2-1-1	3		DB63-02143H	FILTER-PRE L; VIVALDI 1	SA	1
2-1-2	3	A1203	DB92-01405N	ASSY GRILLE; VIVALDI-1 ,STD,SSEC	SA	1
2-1-3	3	P0021	DB64-02124A	PANEL FRONT; VIVALDI-1,HIPS,SC-06106R DA-	SA	1
2-1-4	3	A0755	DB90-04305E	ASSY COVER DISPLAY; VIVALDI-1,SSEC	SA	1
2-1-5	3		DB63-02144H	FILTER-PRE R; VIVALDI 1	SA	1
2-1-6	3	RO047	DB90-05969A	ASSY CASE-PCB; MAX	SA	1
2-1-6-1	4	A0694	DB93-11009A	ASSY PCB SUB-DISPLAY; MAX,TR DRIVER,LED 3	SA	1
2-1-6-2	4	C1070	DB93-10943F	ASSY CONNECTOR WIRE; BORACAY-PJT,DISPLAY	SA	1
2-2	2	E5042	DB97-11240C	ASSY COVER TERMINAL; VIVALDI 1,-,-,SSEC	SA	1
2-2-1	3	C1485	DB63-02120B	COVER TERMINAL; VIVALDI,PC 510,5V,SC-0610	SA	1
3	1	A0696	DB93-11319A	ASSY CONTROL IN PARTS; INV,INV,SSEC	SNA	1
3-1	2	C1208	DB90-04385A	ASSY COVER CONTROL IN; VIVALDI,SSEC	SA	1
3-2	2	A0696	DB93-10953D	ASSY CONTROL IN; HP,INV,9K/12K/18K/24K,MA	SNA	1
3-2-1	4	C0247	DB61-04578A	CASE CONTROL-IN; Maldives,PC+ABS-FR(40),G	SA	1
3-2-2	4	A2816	DB65-00181B	TERMINAL BLOCK; INV,PBT,3-TAB_3-SCREW,Max	SA	1
3-2-3	4	C1070	DB93-08572A	ASSY CONNECTOR WIRE-RELAY; 1,1015,18,BRN,	SA	1
3-2-4	4	C1070	DB93-10916F	ASSY CONNECTOR WIRE; 2,1015,18,SKY,YH396-	SA	1
3-2-5	3	W0002	DB93-06555D	ASSY POWER CORD; H05VV-F 1.03,2000,12	SA	1
3-2-6	3	A1756	DB93-10859L	ASSY PCB MAIN-IN; LOW COST,STD#1,C/O,9K/1	SA	1
3-2-6-1	5	R0042	3501-001268	RELAY-POWER; 12V,0.9W,25000mA,1FormA,20ms	SA	1
3-2-6-2	5	RC017	3502-000115	SSR; 12V,2A,1ms,1ms	SA	2

No.	Lvl.	Loc.	Material Code	Description & Specification	SNA	Qty.
3-2-7	3	C1070	DB93-10918C	ASSY CONNECTOR WIRE; 9,1007,26,WHT,SMH200	SA	1
3-2-8	3	A2744	DB95-04570B	ASSY THERMISTOR IN; BORACAY	SA	1
3-2-9	3		6103-001402	SUPPORTER; NYLON66,12.5,DASC-8N,NATURAL	SA	1
3-2-10	3	C1070	DB93-04688B	ASSY CONNECTOR WIRE; VIVACE-P/J,SSEC	SA	1
4	1	A0915	DB94-02283A	ASSY DRAIN PARTS; vivaldi,ssec	SNA	1
4-1	2	A2303	DB94-01922A	ASSY TRAY DRAIN; WHITE,RH,0.55M,Y,R22,-,V	SA	1
4-1-1	3	B0179	DB61-03672A	BLADE-V; VIVALDI-1,PP,BLACK,T2.0,SSEC	SA	2
4-1-2	3	B0147	DB61-03649A	BLADE-H; VIVALDI,ABS,DA WHITE,SSEC	SA	1
4-1-3	3	R0097	DB73-00180B	RUBBER-CAP DRAIN; all moel,NR,D22,40,40,R	SA	1
4-1-4	3	A0912	DB94-00458D	ASSY HOSE DRAIN; VIVALDI-PJT,SSEC	SA	1
4-1-5	3	M0045	DB31-00371A	MOTOR STEP; 1step 5.625/64,DC12V,650gf.	SA	1
5	1	A1008	DB96-13420A	ASSY EVAP PARTS; SSEC	SNA	1
5-1	2	S0224	DB67-60030A	SPRING-SENSOR; WW2-PJT,STS301,0.4,T0.4,W2	SA	1
5-2	2	A1008	DB96-11359B	ASSY EVAP TOTAL; AQV12PWAN,SSEC	SA	1
5-2-1	3	A2356	DB96-11683C	ASSY TUBE EVAP OUT; VIVALDI,SSEC	SA	1
5-2-2	3	A2355	DB96-11326C	ASSY TUBE EVAP IN; SSEC	SA	1
6	1	A1873	DB97-17220A	ASSY PRINT IN PARTS; INV,SSEC	SNA	1
6-1	3	R0043	DB93-11115K	ASSY REMOCON; ARH-5009,MALDIVES, BORACAY,	SA	1
6-2	3		4301-000121	BATTERY-MN; 1.5V,R03,10.5x44.5m,7.5g,AAA	SA	2
7	1	A1072	DB94-02605A	ASSY FAN IN PARTS; ASSY FAN IN PARTS,SSEC	SNA	1
7-1	2	M0039	DB31-00619A	MOTOR FAN; 50Hz,E,E class	SA	1
7-2	2	A0821	DB94-02028A	ASSY-CROSS FAN TOTAL; VIVALDI,SSEC	SNA	1
7-2-1	3	A0120	DB94-00455B	ASSY-RUBBER BEARING; WW-PJT,CR,BLK SSEC	SA	1
7-2-2	3	A0821	DB94-01874A	ASSY-CROSS FAN; VIVALDI,SSEC	SA	1