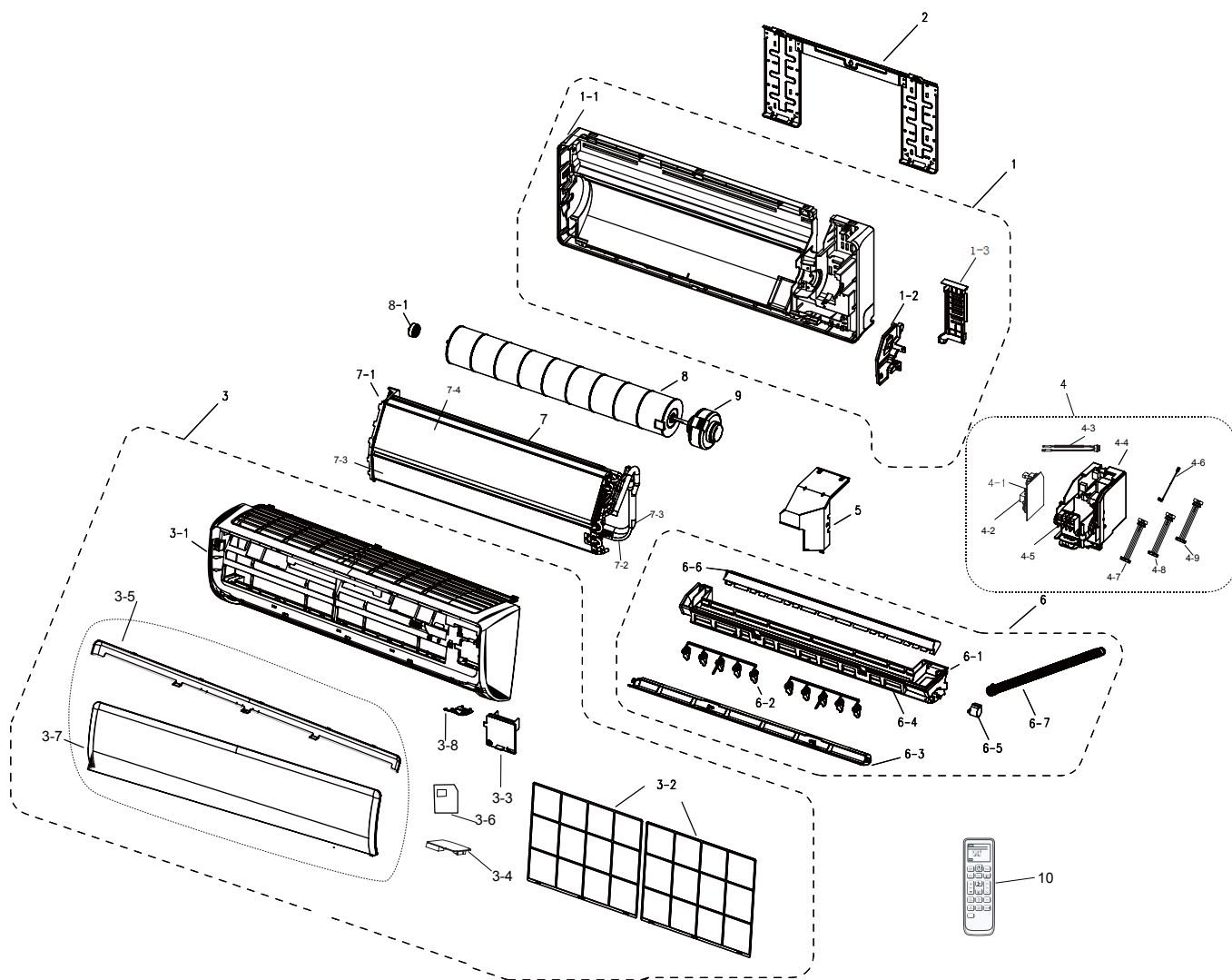


5.Exploded views and Parts list

5-1 Indoor Unit

AQV09PMEN



 **Parts List**

NO.	CODE NO.	Description	Specitification	Q 'ty	SA/SNA
				AQV09PMEN	
1	DB94-01921B	ASSY BACK BODY	white, VIVALDI, SSEC	1	SA
1-1	DB61-03656A	BODY BACK	VIVALDI, HIPS, 2. 5, -, 820, 286, WHITE, SSEC	1	SNA
1-2	DB61-03651B	SUPPORT-EVAP RH	VIVALDI, ABS, 2, 52. 2, 130. 1, SSEC	1	SA
1-3	DB61-03666A	HOLDER-PIPE	VIVALDI, HIPS, T2. 0, 63. 5, 183. 7, SC-06106R, SSEC	1	SA
2	DB97-02851C	ASSY-PLATE HANGER	vivaldi 1, ssec	1	SA
3	DB92-02280S	ASSY PANEL FRONT	INV, WHITE, R410, SSEC	1	SA
3-1	DB64-02561A	PANEL FRONT	MODIVES-1, HIPS, 3, 820, WHITE	1	SA
3-2	DB63-02760E	FILTER-PRE	Maldives 1, pp, 2. 2, 302. 5, 280. 5, BLUE, SSEC	2	SA
3-3	DB97-11240C	ASSY COVER TERMINAL	VIVALDI 1, -, -, -, SSEC	1	SA
3-4	DB63-02119A	COVER-PBA	VIVALDI, SGCC-M, 0. 4, 103. 6, 139. 6, -, SC-06106R, SSEC	1	SNA
3-5	DB64-02550G	DECORATION-PANEL	MALDIVES1, HIPS, W42, L783. 8, Silver SPRAY, SSEC	1	SNA
3-6	DB93-12196A	ASSY PCB SUB-DISPLAY	MALDIVE-PJT, SSEC, N	1	SA
3-7	DB64-02553C	GRILLE-AIR INLET	MALDIVES1, HIPS, T2. 0, W196. 6, L779. 9, SC-06106R DA-WHITE, SSEC	1	SA
3-8	DB90-06134E	ASSY COVER DISPLAY	AQV12PME, SSEC	1	SA
4	DB93-12914A	ASSY CONTROL IN	INV	1	SNA
4-1	DB93-12827A	ASSY PCB MAIN-IN	STD#4, INV, AC FAN, SPI, Y, SMPS, TOP253P	1	SA
4-2	3502-000115	SSR	12V, 2A, 1ms, 1ms	1	SA
4-3	DB95-04570B	ASSY THERMISTOR IN	BORACAY	1	SA
4-4	DB61-04578A	CASE CONTROL IN	LOW COST	1	SA
4-5	DB65-00326A	TERMINAL BLOCK	THERMAL FUSE; 4P, PBT, 4-TAB	1	SA
4-6	DB93-10942A	ASSY CONNECTOR WIRE	JUNGFRAU-PJT, MAIN TO T/B	1	SA
4-7	DB93-10918H	ASSY CONNECTOR WIRE	MALDIVE	1	SA
4-8	DB93-10943H	ASSY CONNECTOR WIRE	MALDIVE	1	SA
4-9	DB93-10943P	ASSY CONNECTOR WIRE	INV	1	SA
5	DB90-04385A	ASSY COVER CONTROL IN	VIVALDI, SSEC	1	SA
6	DB94-02960A	ASSY TRAY DRAIN	White, RH, 550, Y, R410A, AQV12PWAN, SSEC	1	SA
6-1	DB63-02118A	TRAY DRAIN	VIVALDI, HIPS, 2. 5, 96, 690. 6, -, VIVALDI BLACK, SSEC	1	SNA
6-2	DB61-03672A	BLADE-V	VIVALDI-1, PP, BLACK, T2. 0, SSEC	2	SA
6-3	DB66-01559A	BLADE-H	MALDIVES-1, ABS, WHITE, 3t	1	SA
6-4	DB69-00839A	CUSHION-TRAY RH	SS-P/J, EPS, -, -, -, 3g, WHITE, SSEC, RAC, AS	1	SNA
6-5	DB31-00371C	MOTOR STEP	24BYJ48, DC15V	1	SA
6-6	DB63-02121A	TRAY-STABILIZER	VIVALDI, HIPS, 2. 5, 34. 5, 580, -, VIVALDI BLACK, SSEC	1	SNA
6-7	DB94-00458D	ASSY HOSE DRAIN	WHITE, LFET, 550, Y, R410, -, -, SSEC	1	SA
7	DB96-11359A	ASSY EVAP TOTAL	VIVALDI 1 (INV) 12K, SSEC	1	SA
7-1	DB61-03650A	HOLDER-EVAP	VIVALDI, HIPS, 2, 41. 8, 146. 9, SR-03101R, SSEC	1	SNA
7-2	DB96-11326C	ASSY TUBE EVAP IN	SSEC	1	SA
7-3	DB96-11683C	ASSY TUBE EVAP OUT	VIVALDI, SSEC	1	SA
7-3	DB96-11107C	ASSY EVAP SUB	VIVALDI-1, SSEC	1	SA
7-4	DB96-11120B	ASSY EVAP MAIN	VIVALDI-1, SSEC	1	SA
8	DB94-01874A	ASSY-CROSS FAN	VIVALDI, SSEC	1	SA
8-1	DB94-00455B	ASSY-RUBBER BEARING	WW-PJT, CR, BLK SSEC	1	SA
9	DB31-00531D	MOTOR FAN	Y4S476A39, VIVALDI-PJT, 50HZ, 230V, Eclass	1	SA
10	DB93-11115K	ASSY REMOCON	ARH-5009, MALDIVES, BORACAY, MAX, NEO FORTE	1	SA