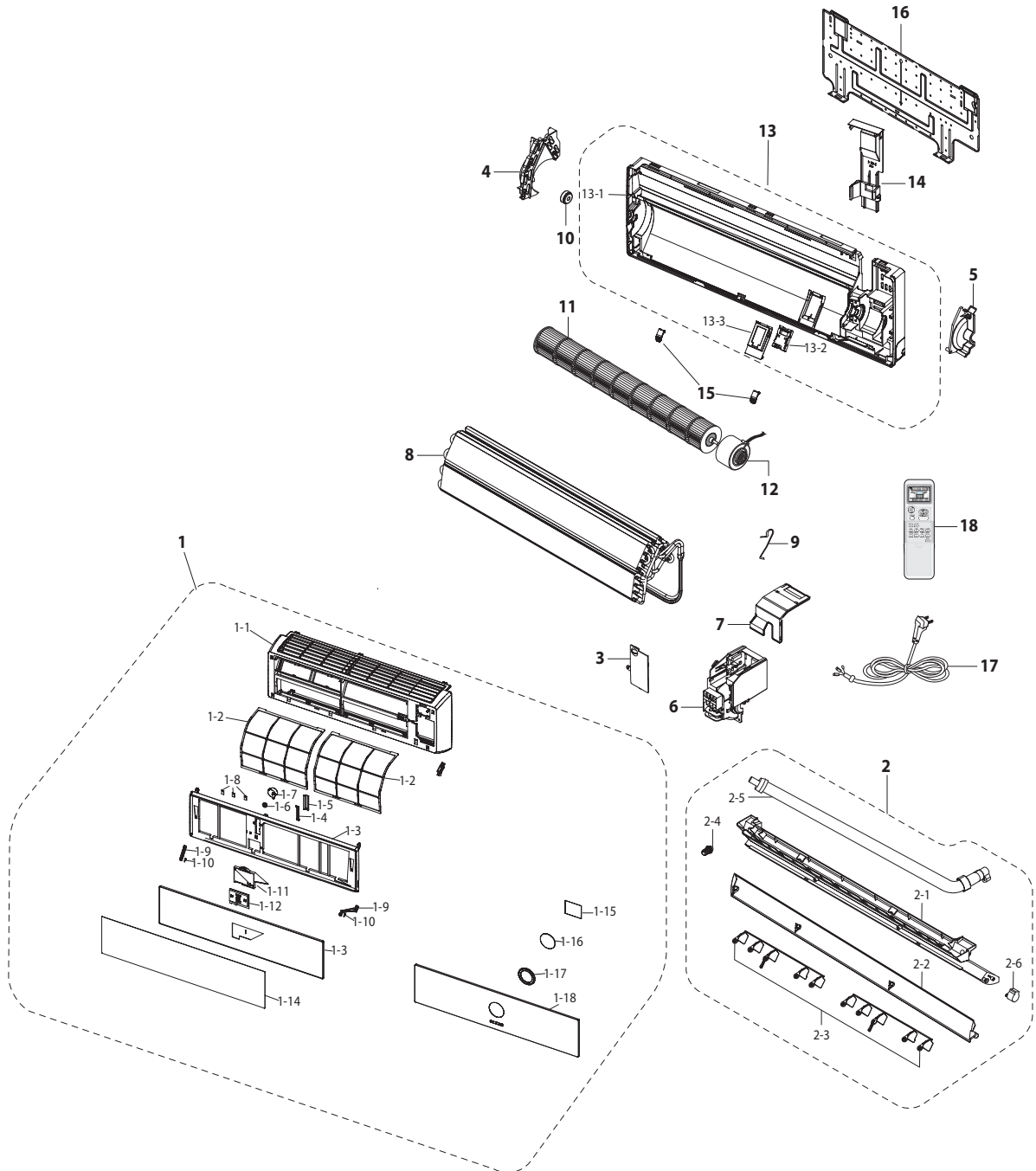


# 5. Exploded Views and Parts List

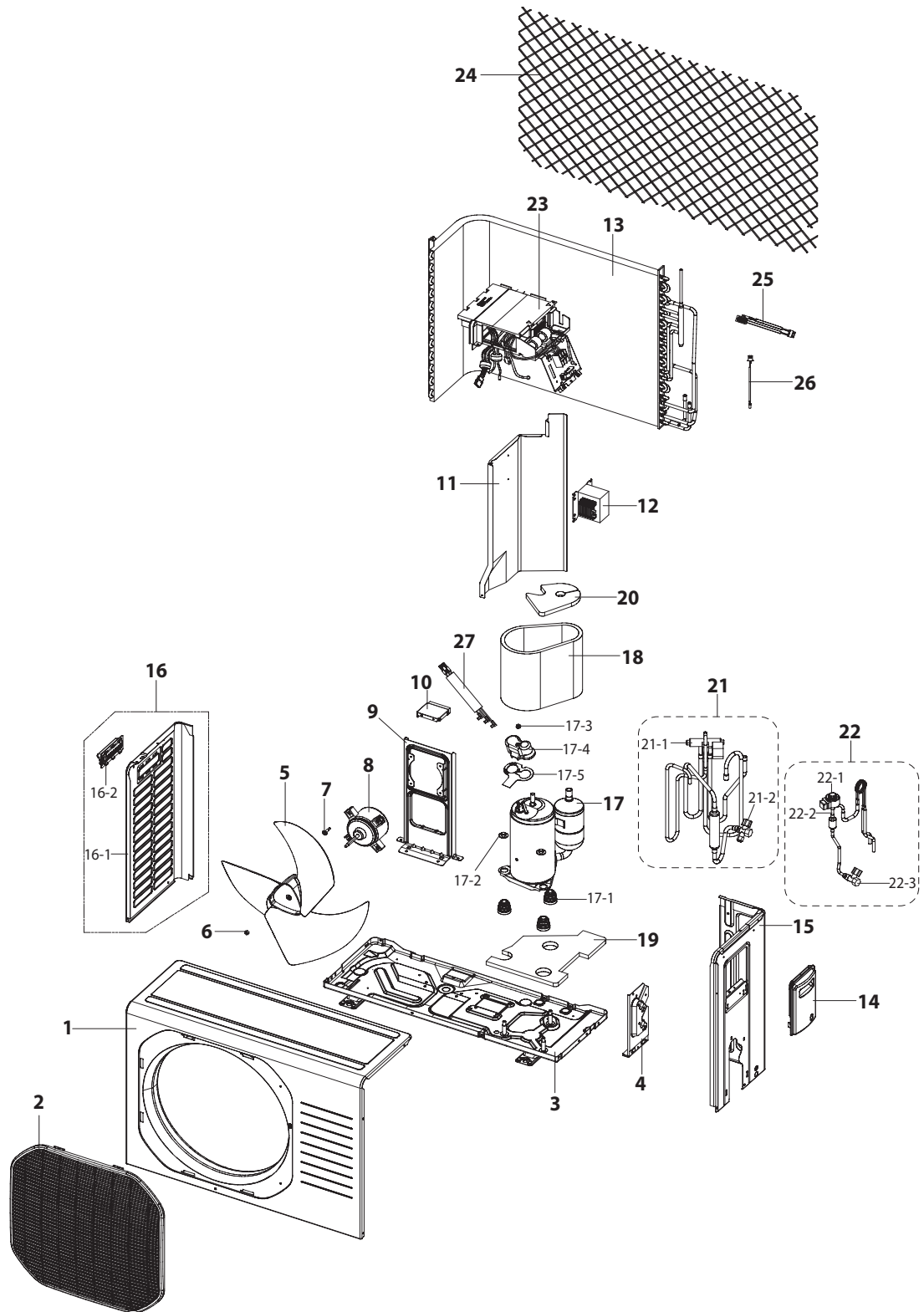
## 5-1 Indoor Unit



## ■ Parts List

No.	Code No.	Description	Specification	Q'TY		SA/SNA
				AQV09VBAN	AQV12VBAN	
1	DB92-00927C	ASSY PANEL FRONT	ASS'Y	1	1	SA
1-1	DB64-01635A	PANEL FRONT	HIPS	1	1	SA
1-2	DB63-01593A	FILTER PRE	PP	1	1	SA
1-3	DB64-01634A	PANEL MID	HIPS	1	1	SNA
1-4	DB66-01152A	LINK GRILLE	POM	1	1	SNA
1-5	DB66-01156A	GEAR RACK	POM	1	1	SNA
1-6	DB66-01155A	GEAR PINION	POM	1	1	SNA
1-7	DB31-00369B	ASSY MOTOR STEPPING	220-240V~, 50/60Hz, Class E	1	1	SA
1-8	DB61-03156A	HOLDER WIRE	PC	3	3	SNA
1-9	DB66-01176A	LINK SUPPORT	POM	4	4	SNA
1-10	DB61-03139A	SPRING GRILLE	STS304	2	2	SNA
1-11	DB63-01630A	COVER DISPLAY	ABS	1	1	SNA
1-12	DB93-04452B	ASSY DISPLAY	ASS'Y	1	1	SA
1-13	DB61-02910A	FRAME GRILLE	HIPS	1	1	SA
1-14	DB64-01724B	WINDOW MIRROR	ACRYL	1	1	SA
2	DB94-01237A	ASSY TRAY DRAIN	ASS'Y	1	1	SA
2-1	DB63-01578A	TRAY DRAIN	ABS	1	1	SNA
2-2	DB61-02908A	BLADE H	HIPS	1	1	SA
2-3	DB61-01636A	BLADE V	PP	2	2	SA
2-4	DB73-00180A	RUBBER CAP DRAIN	GUM-EPM	1	1	SNA
2-5	DB94-00458B	ASSY DRAIN HOSE	ASS'Y	1	1	SA
2-6	DB31-00371A	MOTOR STEP	220-240V~, 50/60Hz, Class E	1	1	SA
3	DB63-00844D	COVER TERMINAL	ABS V0	1	1	SA
4	DB63-00850A	COVER BEARING	ABS	1	1	SNA
5	DB96-03149A	ASSY EVAP SUPPORT	ASS'Y	1	1	SA
6	DB93-04260A	ASSY CONTROL IN	ASS'Y	1	1	SA
7	DB90-02167B	ASSY COVER CONTROL	ASS'Y	1	1	SNA
8	DB96-07488A	ASSY EVAP TOTAL	ASS'Y	1	1	SNA
9	DB67-60030A	SPRING SENSOR	STS304	1	1	SNA
10	DB94-00455A	ASSY BEARING RUBBER	ASS'Y	1	1	SNA
11	DB94-00456A	ASSY CROSS FAN	ASS'Y	1	1	SA
12	DB31-00219A	MOTOR FAN IN	220-240V~, 50/60Hz, Class E	1	1	SA
13	DB94-01152B	ASSY BODY BACK	ASS'Y	1	1	SA
13-1	DB61-03028A	BODY BACK	HIPS	1	1	SNA
13-2	DB93-04230A	ASSY COMPACT MPI	ASS'Y	1	1	SA
13-3	DB63-01583A	COVER MPI	HIPS	1	1	SNA
14	DB61-01638B	HOLDER PIPE	HIPS	1	1	SNA
15	DB67-00499C	CAP SCREW	HIPS	2	2	SNA
16	DB70-00406A	PLATE HANGER	SGCC-M	1	1	SNA
18	DB93-04394G	ASSY REMOCON	ARH-1346	1	1	SNA

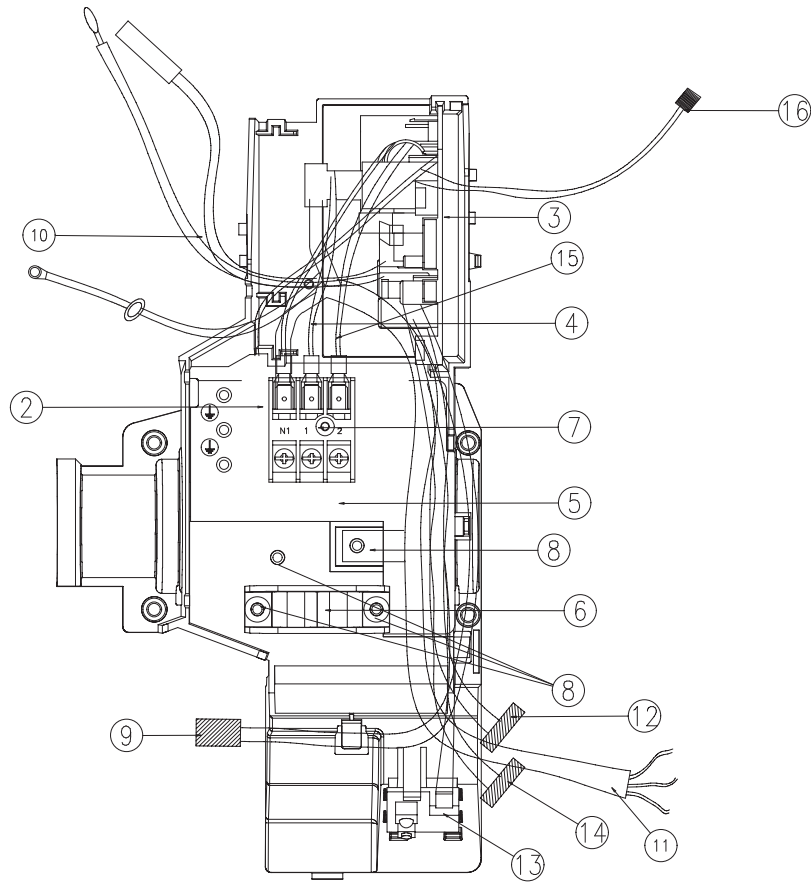
## 5-2 Outdoor Unit



## ■ Parts List

No.	Code No.	Description	Specification	Q'TY		SA/SNA
				AQV09VBAX	AQV12VBAX	
1	DB90-01581G	ASS'Y CABI FRONT	ASS'Y, SC-94445T	1	1	SA
2	DB63-00847A	GUARD FAN	HIPS, SC-90073R	1	1	SA
3	DB90-01330L	ASS'Y BASE OUT	ASS'Y, SC-94445T	1	1	SA
4	DB99-00401A	ASS'Y BRACKET VALVE	ASS'Y, SC-94445T	1	1	SA
5	DB67-00397A	FAN-PROPELLER	AS+G/F20%, Ø400	1	1	SA
6	DB60-30020A	SCREW MACHINE	M6	1	1	SA
7	DB60-00150A	SCREW SPECIAL	M4	4	4	SNA
8	DB31-00238A	MOTOR FAN OUT	DC Motor, SIC-52FV-F726-2	1	1	SA
9	DB61-01644A	BRACKET MOTOR	SGCC-M	1	1	SA
10	DB97-02225A	ASS'Y SUPPORT PLATE B/M	SGCC-M	1	1	SA
11	DB94-01339A	ASS'Y PARTITION	ASS'Y, SGCC-M	1	1	SA
12	DB27-00041A	REACTOR	PPS,5mH, 10A	1	1	SA
13	DB96-03602B	ASS'Y COND UNIT	ASS'Y	1	1	SA
14	DB63-00853A	COVER CONTROL	PP, SC-90073R	1	1	SA
15	DB90-01546J	ASS'Y CABINET SIDE RH	ASS'Y, SC-94445T	1	1	SA
16	DB90-01332A	ASS'Y CABINET SIDE LF	ASS'Y, SC-94445T	1	1	SA
16-1	DB64-01094A	CABINET SIDE LF	SECC-P, SC-94445T	1	1	SA
16-2	DB64-00992A	HANDLE LF	PP	1	1	SA
17	G4C090LUBER	COMPRESSOR	ROTARY, BLDC	1	1	SNA
17-1	DB63-00763A	GROMMET ISOLATOR	NR	3	3	SNA
17-2	DB60-30028A	SCREW HEX	M8	3	3	SNA
17-3	DB60-30018A	SCREW MACHINE	M5	1	1	SNA
17-4	DB63-00489A	COVER TERMINAL	PBT (G/F 15%)	1	1	SNA
17-5	DB63-00817A	GASKET	EPDM	1	1	SNA
18	DB63-01647A	FELT COMP SIDE	FELT+PVC Sheet	1	1	SA
19	DB63-01044A	FELT COMP BASE	FELT+PVC Sheet	1	1	SA
20	DB63-01710A	FELT COMP UPPER	FELT+PVC Sheet	1	1	SA
21	DB96-06703A	ASS'Y VALVE 4WAY	ASS'Y	1	1	SA
21-1	DB62-02286A	4WAY VALVE	R410A, SANHUA	1	1	SNA
21-2	DB62-02284A	VALVE SERVICE	R410A, SANHUA, 3/8"	1	1	SNA
22	DB96-06739A	ASS'Y VALVE EEV	ASS'Y	1	1	SA
22-1	DB62-03964A	VALVE EXPANSION COIL	FUJIKOKI, Ø1.4	1	1	SNA
22-2	DB62-03916A	VALVE EXPANSION BODY	FUJIKOKI, Ø1.4	1	1	SNA
22-3	DB62-02283A	VALVE SERVICE	R410A, SANHUA, 1/4"	1	1	SNA
23	DB93-04265E	ASS'Y CONTROL OUT	ASS'Y	-	1	SA
	DB93-04265F	ASS'Y CONTROL OUT	ASS'Y	1	-	SA
24	DB61-02891C	GUIDE SCREEN	P.E.H 100%	1	1	SA
25	DB32-00176D	THERMISTOR OUT/DIS	ASS'Y	1	1	SA
26	DB32-00121B	THERMISTOR COND	ASS'Y	1	1	SA
27	DB93-04489A	CONNECT WIRE COMP	ASS'Y	1	1	SA

## 5-3 Ass'y Control In : DB93-04260A



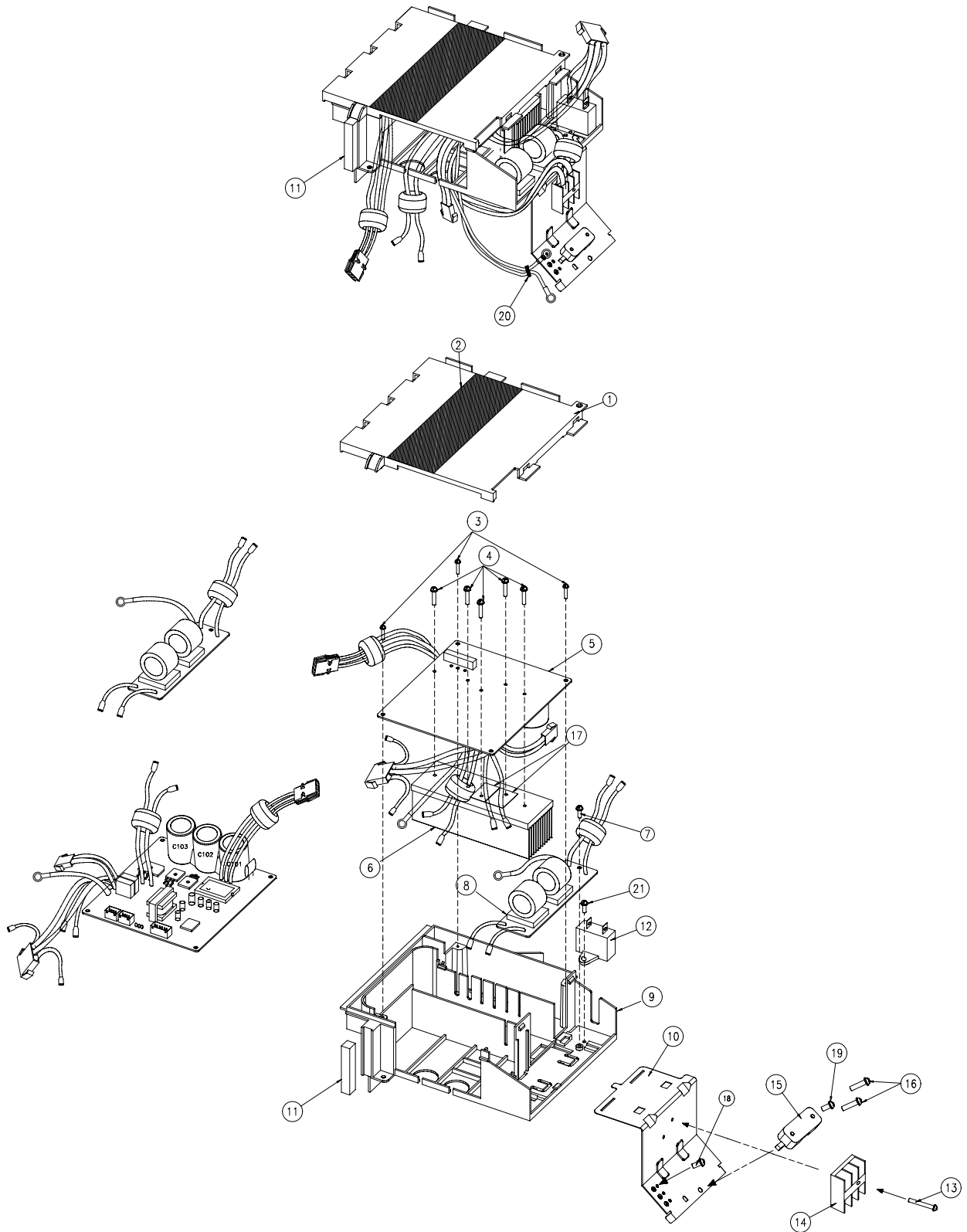
### ■ Parts List

No.	Code No.	Description	Specification	Q'ty	SN/SNA
1	DB61-02907A	CASE-CONTROL IN	ABS	1	SA
2	DB65-00181B	TERMINAL BLOCK	DAF-3P	1	SNA
3	DB93-05619B	ASSY-PCB IN MAIN	VIVACE,9K/12K	1	SA
4	DB39-00961S	CONNECT WIRE	LEAD WIRE	1	SNA
5	DB61-01639A	PLATE-CONTROL IN	SGCC-M 1.2	1	SNA
6	DB61-01097A	HOLDER-WIRE CLAMP	ABS	1	SA
7	6001-000929	SCREW	PH+,M3,L22	1	SNA
8	6001-001054	SCREW	TH,+,M4,L10	3	SNA
9	DB93-04487A	CONNECT WIRE	STEP MOTOR	1	SNA
10	DB95-01113A	SENSOR	4P(103AT)	1	SA
11	DB91-00434A	ASSY POWER CORE	H05VV-F 3*1.0, Core	1	SNA
12	DB93-04622A	CONNECT WIRE	DISPLAY	1	SNA
13	DB93-04430A	ASSY MODULE PCB	MODULE	1	SNA
14	DB93-04484A	CONNECT WIRE	STEP MOTOR, GRILL	1	SNA
15	DB93-04367A	CONNECT WIRE	POWER	1	SNA
16	DB93-04695A	CONNECT WIRE	MPI	1	SNA

# MEMO

## 5-4 Ass'y Control Out

■AQV09V\*AX:DB93-04265D  
AQV12V\*AX:DB93-04265C



## ■ Parts List

No.	Code No.	Description	Specification	Q'TY		SA/SNA
				AQV09FAX	AQV12FAX	
1	DB61-02249A	CASE CONTROL-COVER	ABS V0,BLK	1	1	SA
2	DB62-04566A	SEAL-COVER CONTROL	FOAM-LEX,WHT	1	1	SNA
3	6002-000536	SCREW-TAPPING	M4xL8	3	3	SNA
4	DB91-00306A	ASS'Y-SCREW MACHINE	M3x16	5	5	SNA
5	DB93-04263C	ASS'Y PCB MAIN-OUT	VIVACE,12K	-	1	SA
	DB93-04263C	ASS'Y PCB MAIN-OUT	VIVACE,9K	1	-	SA
6	DB62-03155A	HEAT SINK	AL	1	1	SA
7	6002-000560	SCREW-TAPPING	M4,L10	1	1	SNA
8	DB93-04264A	ASS'Y PCB SUB	FORTE,EMI	1	1	SA
9	DB61-02250A	CASE CONTROL-BASE	ABS V0,BLK	1	1	SA
10	DB70-00547A	PLATE-CASE CONTROL	SGCC-M,-,T0.6	1	1	SNA
11	DB62-02332P	SEAL-CASE CONTROL	FOAM-PU(30),BLACK	1	1	SNA
12	2301-001377	C-FILM,LEAD-OTHER	1200nF,450V	-	-	SA
13	DB91-00309A	ASS'Y-SCREW TAPPING	M3xL20	1	1	SNA
14	DB65-00181B	TERMINAL BLOCK-ASS'Y	DAF-3P	1	1	SNA
15	DB61-00250A	HOLDER-WIRE CLAMP	ABS,BLK	1	1	SNA
16	6002-000527	SCREW-TAPPING	M4xL10	2	2	SNA
17	DB81-00547B	INSULATOR-KFR	MICA	1	1	SNA
18	6009-001001	SCREW-SPECIAL	M4xL8	1	1	SNA
19	6001-001054	SCREW-MACHINE	M4xL10	1	1	SNA
20	DB65-10088D	CABLE-TIE	NY-66	1	1	SNA
21	6002-000560	SCREW TAPPING	M4xL10	1	1	SNA