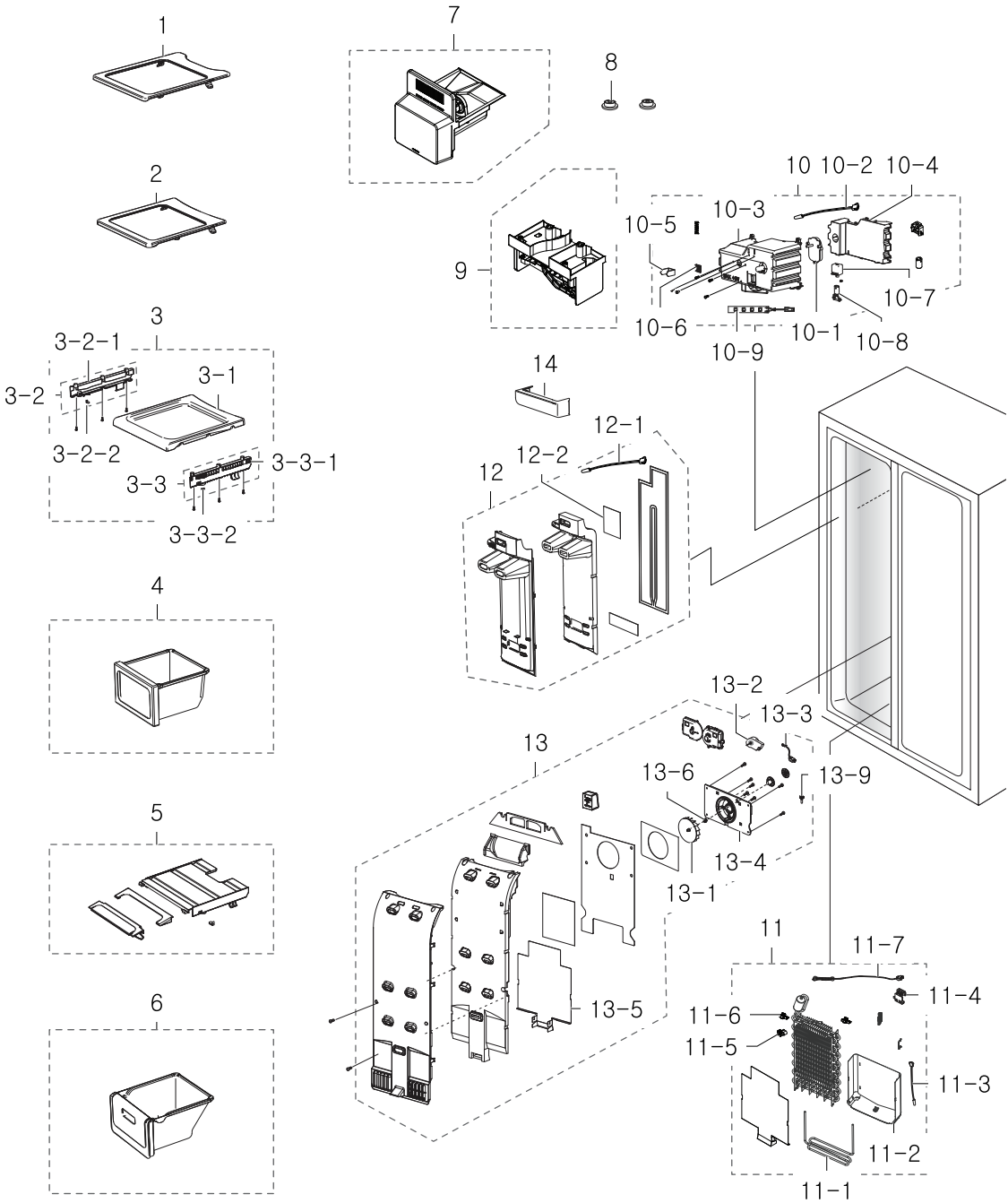


1. Freezer

Exploded View



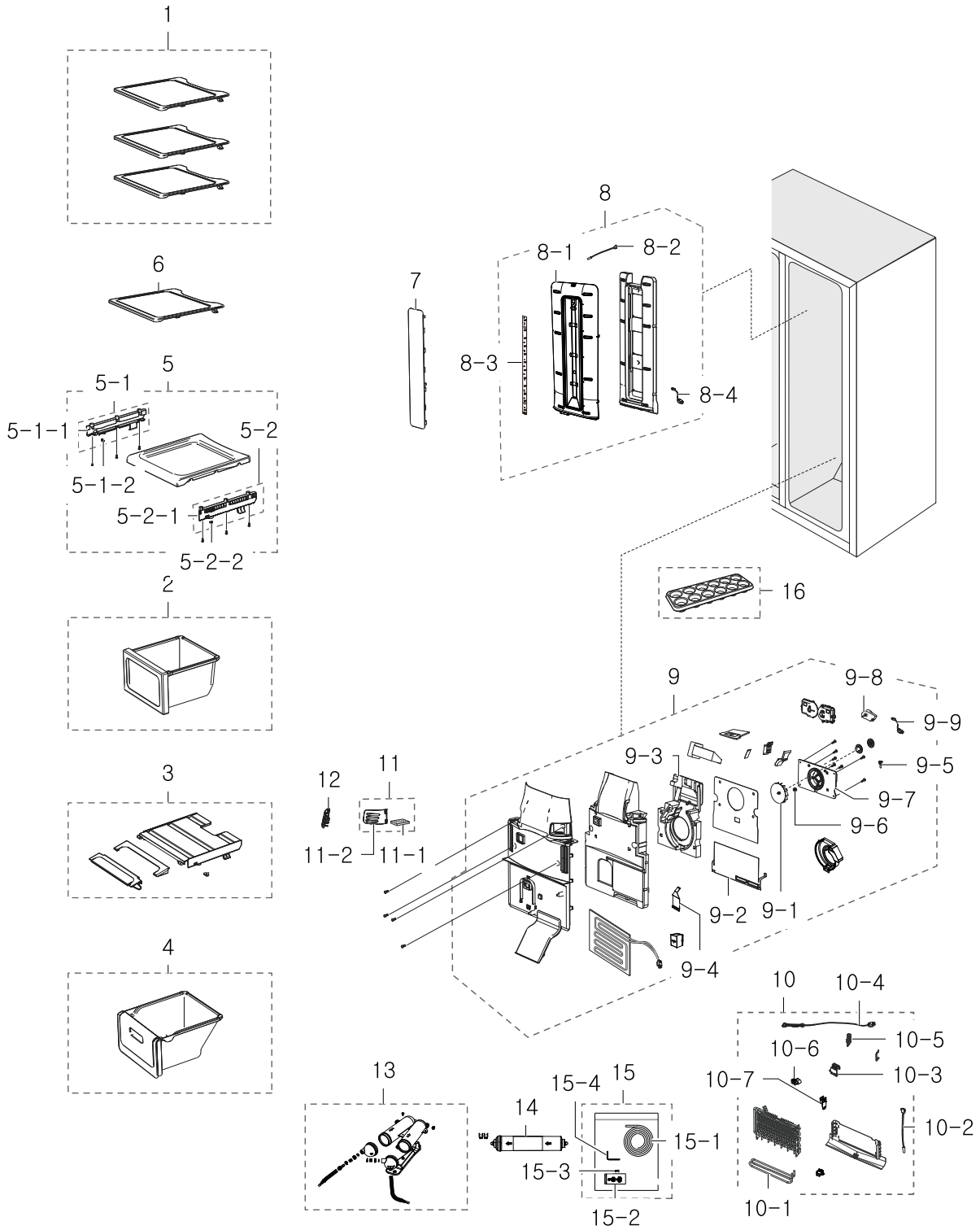
Parts List

| No. | Parent | Lvl. | Loc. | Material Code | Description & Specification | SNA | Qty. |
|-------|-------------|------|-------|---------------|--|-----|------|
| 1 | DA90-03679D | 2 | | DA97-08046C | ASSY SHELF FRE-TOP; HERMES(DISP),HIPS, TE | SA | 1 |
| 2 | DA90-03679D | 2 | RE064 | DA97-08044C | ASSY SHELF FRE-MID; HERMES,HIPS,TEMPERED | SA | 1 |
| 3 | DA90-03679D | 2 | RF022 | DA97-06927A | ASSY-SHELF FRE LOW; HERMES-PJT,-,-,- | SA | 1 |
| 3-1 | DA97-06927A | 3 | RF360 | DA67-02110A | SHELF-FRE LOW; HERMES-PJT,HIPS,-,-,-,COOL | SA | 1 |
| 3-2 | DA97-06928A | 3 | RR838 | DA97-05233B | ASSY RAIL-BOX L; HERMES-PJT,T2.0,W17,L260 | SA | 1 |
| 3-2-1 | DA97-05233B | 4 | RK458 | DA61-03413B | RAIL-BOX L; HERMES-PJT,TALC PP,-,-,-,NATU | SA | 1 |
| 3-2-2 | DA97-05234B | 4 | RK243 | DA63-00202C | GROMMET-RAIL; TD-PJT,NY-66,W10.7,L15,COOL | SA | 1 |
| 3-3 | DA97-06928A | 3 | RR840 | DA97-05234B | ASSY RAIL-BOX R; HERMES-PJT,T2.0,W17,L260 | SA | 1 |
| 3-3-1 | DA97-05234B | 4 | RK460 | DA61-03412B | RAIL-BOX R; HERMES-PJT,TALC PP,-,-,-,NATU | SA | 1 |
| 3-3-2 | DA97-05234B | 4 | RK243 | DA63-00202C | GROMMET-RAIL; TD-PJT,NY-66,W10.7,L15,COOL | SA | 1 |
| 4 | DA90-05740D | 2 | RI248 | DA97-05047B | ASSY-CASE BASKET HIGH; HERMES,GPPS+HIPS,- | SA | 1 |
| 5 | DA90-05740D | 2 | RI249 | DA97-05049C | ASSY-COVER SLIDE BASKET; HERMES,ABS+HIPS, | SA | 1 |
| 6 | DA90-05740D | 2 | RI170 | DA97-05046B | ASSY-CASE BASKET LOW; HERMES,GPPS+HIPS,-, | SA | 1 |
| 7 | DA90-05747D | 2 | RM091 | DA97-05081G | ASSY-TRAY ICE BUCKET; HERMES-PJT,MSWR10 | SA | 1 |
| 8 | DA90-05747D | 2 | RH020 | DA61-01797A | FIXER GROMMET-DOOR; T3-PJT,PP,SC-02740R | SA | 2 |
| 9 | DA90-05747D | 2 | RM001 | DA97-05071B | ASSY ICE MAKER-MECH; HERMES,-,-,-,-,- | SA | 1 |
| 10 | DA90-05747D | 2 | RQ095 | DA97-08744D | ASSY-CASE AUGER MOTOR; HERMES10,LED,230V, | SA | 1 |
| 10-1 | DA97-08744D | 3 | RF434 | DA31-00105F | MOTOR GEARED-AUGER; ISG3240SSH-1,15RPM,12 | SA | 1 |
| 10-2 | DA97-08744D | 3 | RM035 | DA96-00682B | ASSY W/HARNESS-SUB EM; HM10-PJT,100~240V | SA | 1 |
| 10-3 | DA97-08744D | 3 | RF417 | DA61-06042A | CASE-AUGER MOTOR; HM10,ABS,COOL-WHITE(SC- | SA | 1 |
| 10-4 | DA97-08744D | 3 | RF243 | DA63-03528B | COVER-AUGER MOTOR; HERMESS,PP,-,-,-,-,N | SA | 1 |
| 10-5 | DA97-08744D | 3 | RF292 | DA70-20017A | PLATE-D/AUGER DISP; STS304,L127xD14.4 | SA | 1 |
| 10-6 | DA97-08744D | 3 | RM031 | DA71-00163A | FIXER-NUT; ZIPEL,STS420,T1,-,CLIP,STS420- | SA | 1 |

| No. | Parent | Lvl. | Loc. | Material Code | Description & Specification | SNA | Qty. |
|------|-------------|------|-------|---------------|--|-----|------|
| 10-7 | DA97-08744D | 3 | RO088 | DA74-40151F | VALVE-SOLENOID; SR-S6586B,-,-,-,CUBE-SN | SA | 1 |
| 10-8 | DA97-08744D | 3 | RR108 | DA66-90003A | GEAR-SOLENOID; POM,-,-,-,SC-93438R | SA | 1 |
| 10-9 | DA97-08744D | 3 | | DA41-00519P | PBA-LED LAMP; SSEDA,R-ROOM,CEM-1,100*20*1 | SA | 2 |
| 11 | DA90-05938B | 2 | RF011 | DA96-00675N | ASSY EVAP-FRE; HERMES,FIN PIPE,A1070S-H14 | SA | 1 |
| 11-1 | DA96-00675N | 3 | | DA47-00320L | HEATER-SHEATH-METAL FRE; HM10,INCOLOY840, | SA | 1 |
| 11-2 | DA96-00675N | 3 | RF169 | DA61-05989B | PLATE-DRAIN EVAP FRE; HERMES,GL-SAZCC,T0. | SA | 1 |
| 11-3 | DA96-00675N | 3 | RR336 | DA32-00029N | SENSOR TEMP; DTN-C502G6X,NEXT-PJT,40~110 | SA | 1 |
| 11-4 | DA96-00675N | 3 | RK215 | DA61-00603A | FIXER-SENSOR; n-PJT,PP,-,-,- | SA | 1 |
| 11-5 | DA96-00676K | 3 | RR006 | DA61-06013A | FIXER-WIRE; AW3-PJT,PP,NTR | SA | 2 |
| 11-6 | DA96-00676K | 3 | RF217 | DA61-05160A | FIXER-FUSE; CULLI_09,PP,BJ-730,NTR,- | SA | 1 |
| 11-7 | DA96-00675N | 3 | RR342 | DA47-00301F | THERMO FUSE-ASSY; TWIN,120V/250V,15A/10A, | SA | 1 |
| 12 | DA90-05939B | 2 | RF439 | DA97-05063D | ASSY-COVER MULTI FRE; HERMES09,DISP | SA | 1 |
| 12-1 | DA97-05063D | 3 | RR337 | DA32-10105V | SENSOR TEMP; 502AT,N PJT,-50~50,5V,-,-,RO | SA | 1 |
| 12-2 | DA97-05063D | 3 | RF141 | DA61-03393B | PLATE-MULTI FRE REAR HIGH; HERMES,PP,-,W1 | SA | 1 |
| 13 | DA90-05939B | 2 | RF005 | DA97-05052P | ASSY-COVER EVAP FRE; HERMES10 | SA | 1 |
| 13-1 | DA97-05052P | 3 | RK182 | DA31-00053A | FAN-BACKWARD; -,A-TOP,ABS,-,FRE | SA | 1 |
| 13-2 | DA97-05052P | 3 | RF431 | DA31-00146E | MOTOR FAN-BLDC; DREP5020LB,BLDC Motor,0.2 | SA | 1 |
| 13-3 | DA97-05052P | 3 | RY711 | DA39-00060B | WIRE HARNESS-MOTOR; -,-,-,-,-,F-FAN,-,- | SC | 1 |
| 13-4 | DA97-05052P | 3 | RY172 | DA61-00417A | CASE MOTOR; A-TOP,ABS SCRAP,-,-,-,WHT,SBS | SA | 1 |
| 13-5 | DA97-05052P | 3 | RF168 | DA61-05991C | PLATE-EVAP HEATER FRE; HERMES,GL-SAZCC,T0 | SA | 1 |
| 13-6 | DA97-05052P | 3 | RR053 | DA61-20128A | SPRING ETC-FAN; STS304,PI8.8,ID7.8,OD9.8, | SA | 1 |
| 13-9 | DA97-05052P | 3 | RR066 | DA63-40167A | GROMMET-COVER CHIL; SILICON,L16,WHITE | SA | 1 |
| 14 | DA90-05740D | 2 | RF396 | DA63-05623A | COVER-LAMP FRE; HERMES,PP,NTR,DISP,LED | SA | 1 |

2. Fridge

Exploded View



Parts List

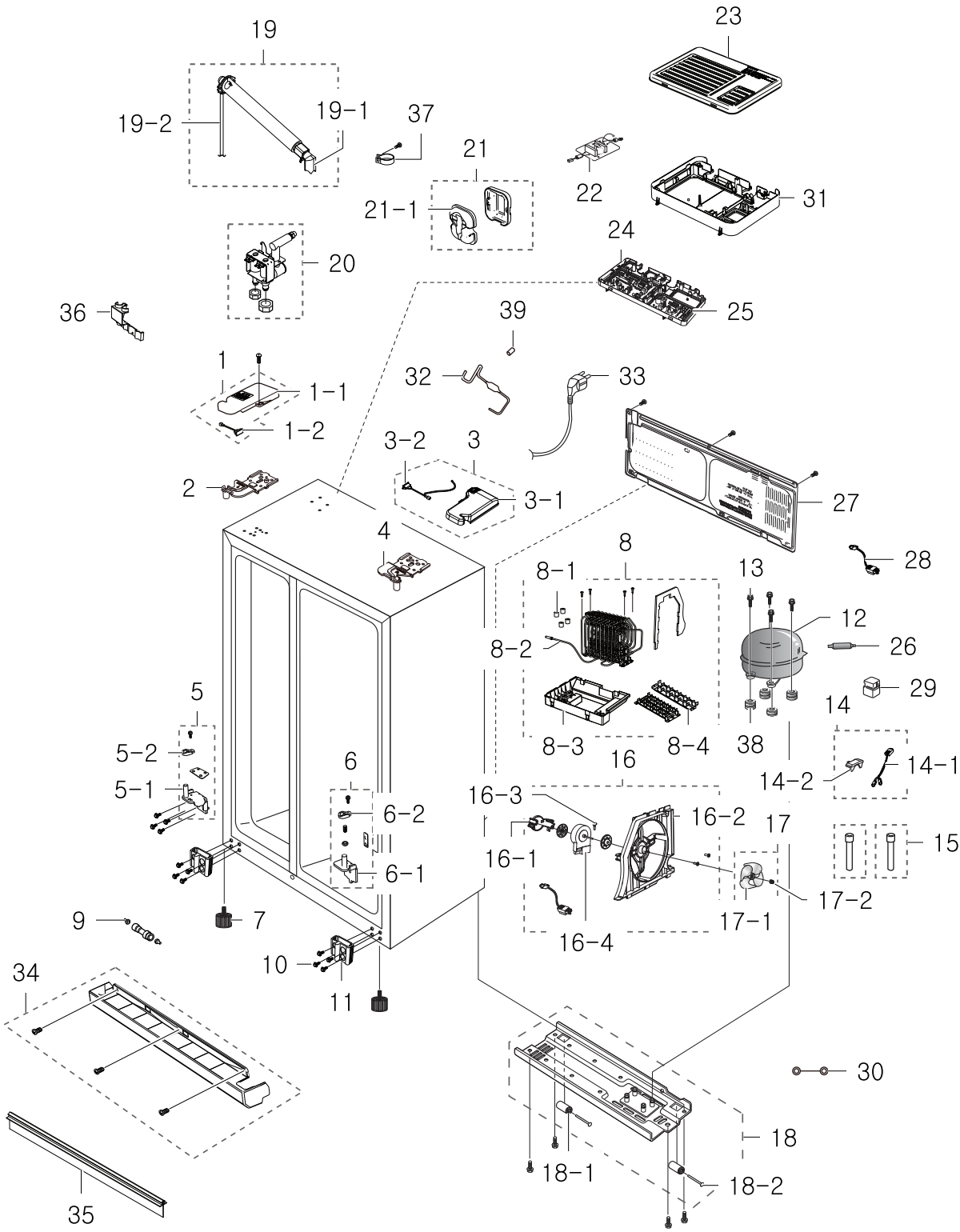
| No. | Parent | Lvl. | Loc. | Material Code | Description & Specification | SNA | Qty. |
|-------|-------------|------|-------|---------------|--|-----|------|
| 1 | DA90-03679D | 2 | RI672 | DA67-01694A | SHELF REF-TOP; HERMES-PJT,PP+GLASS,T2.0, | SA | 3 |
| 2 | DA90-05740D | 2 | RI087 | DA97-05045B | ASSY-CASE VEG HIGH; HERMES,GPPS+HIPS,-,- | SA | 1 |
| 3 | DA90-05740D | 2 | RG143 | DA97-05048D | ASSY-COVER SLIDE VEG; HERMES,ABS+HIPS,WRA | SA | 1 |
| 4 | DA90-05740D | 2 | RI001 | DA97-05044B | ASSY-CASE VEG LOW; HERMES,GPPS+HIPS,-,- | SA | 1 |
| 5 | DA90-03679D | 2 | RI039 | DA97-06928A | ASSY-SHELF REF LOW; HERMES,-,-,- | SA | 1 |
| 5-1 | DA97-06928A | 3 | RR838 | DA97-05233B | ASSY RAIL-BOX L; HERMES-PJT,T2.0,W17,L260 | SA | 1 |
| 5-1-1 | DA97-05233B | 4 | RK458 | DA61-03413B | RAIL-BOX L; HERMES-PJT,TALC PP,-,-,-,NATU | SA | 1 |
| 5-1-2 | DA97-05234B | 4 | RK243 | DA63-00202C | GROMMET-RAIL; TD-PJT,NY-66,W10.7,L15,COOL | SA | 1 |
| 5-2 | DA97-06928A | 3 | RR840 | DA97-05234B | ASSY RAIL-BOX R; HERMES-PJT,T2.0,W17,L260 | SA | 1 |
| 5-2-1 | DA97-05234B | 4 | RK460 | DA61-03412B | RAIL-BOX R; HERMES-PJT,TALC PP,-,-,-,NATU | SA | 1 |
| 5-2-2 | DA97-05234B | 4 | RK243 | DA63-00202C | GROMMET-RAIL; TD-PJT,NY-66,W10.7,L15,COOL | SA | 1 |
| 6 | DA90-03679D | 2 | RI664 | DA67-02109A | SHELF REF-MID; HERMES-PJT,PP+GLASS,-,W443 | SA | 1 |
| 7 | DA90-05740D | 2 | RG028 | DA63-05298A | COVER-LAMP REF; HM10,LED,PP,NTR | SA | 1 |
| 8 | DA90-05939B | 2 | RI019 | DA97-08257F | ASSY COVER-MULTI REF; HM10,IN_DOOR,LED,PP | SA | 1 |
| 8-1 | DA97-08257F | 3 | RI528 | DA63-05295A | COVER-MULT REF; HM10,PP,COOL-WHITE(SC-027 | SA | 1 |
| 8-2 | DA97-08257F | 3 | RK732 | DA32-10105U | SENSOR TEMP; 502AT,A-TOP,-50~50,5V,-,-,RO | SA | 1 |
| 8-3 | DA97-08744D | 3 | | DA41-00519P | PBA-LED LAMP; SSEDA,R-ROOM,CEM-1,100*20*1 | SA | 2 |
| 8-4 | DA97-08257F | 3 | RR867 | DA96-00424F | ASSY W/HARNESS-LED LAMP; NEXT08,W/H LED L | SA | 1 |
| 9 | DA90-05939B | 2 | RI008 | DA97-08285N | ASSY COVER-EVAP REF; HM10,BASIC,LED,230V | SA | 1 |
| 9-1 | DA97-05052P | 3 | RK182 | DA31-00053A | FAN-BACKWARD; -,A-TOP,ABS,-,FRE | SA | 1 |
| 9-2 | DA97-08285N | 3 | RI529 | DA61-05993B | PLATE-EVAP HEATER REF; HERMES,AL,T0.3 | SA | 1 |
| 9-3 | DA97-08285N | 3 | RI521 | DA61-05285B | GUIDE-AIR REF; HERMES09,HIPS,NTR | SA | 1 |
| 9-4 | DA97-08285N | 3 | RI271 | DA61-06244A | PLATE-DRAIN INS EVAP REF; HERMES,A1100,T0 | SA | 1 |

Exploded Views and Parts List

| No. | Parent | Lvl. | Loc. | Material Code | Description & Specification | SNA | Qty. |
|------|-------------|------|-------|---------------|--|-----|------|
| 9-5 | DA97-05052P | 3 | RR066 | DA63-40167A | GROMMET-COVER CHIL; SILICON,L16,WHITE | SA | 1 |
| 9-6 | DA97-05052P | 3 | RR053 | DA61-20128A | SPRING ETC-FAN; STS304,PI8.8,ID7.8,OD9.8, | SA | 1 |
| 9-7 | DA97-08285N | 3 | RF121 | DA61-05286B | CASE-MOTOR REF; HERMES 09,HIPS,NTR | SA | 1 |
| 9-8 | DA97-05052P | 3 | RF431 | DA31-00146E | MOTOR FAN-BLDC; DREP5020LB,BLDC Motor,0.2 | SA | 1 |
| 9-9 | DA97-05052P | 3 | RY711 | DA39-00060B | WIRE HARNESS-MOTOR; -, -, -, -, -, -, F-FAN, -, - | SC | 1 |
| 10 | DA90-05938B | 2 | RI016 | DA96-00676K | ASSY EVAP-REF; HERMES,FIN PIPE,A1070S-H14 | SA | 1 |
| 10-1 | DA96-00676K | 3 | | DA47-00321L | HEATER-SHEATH-METAL; HM10-PJT,NCOLOY840,1 | SA | 1 |
| 10-2 | DA96-00676K | 3 | RK704 | DA32-00029R | SENSOR TEMP; DTN-C502G6X,SSEDA-PJT,40~110 | SA | 1 |
| 10-3 | DA96-00676K | 3 | RK213 | DA61-03683A | FIXER-SENSER; AW-PJT,PP,-,NTR,FH-44N | SA | 1 |
| 10-4 | DA96-00676K | 3 | RR341 | DA47-00301B | THERMO FUSE-ASSY; HERMES,120V/250V,15A/10 | SA | 1 |
| 10-5 | DA96-00676K | 3 | RF217 | DA61-05160A | FIXER-FUSE; CULLI_09,PP,BJ-730,NTR,- | SA | 1 |
| 10-6 | DA96-00676K | 3 | RR006 | DA61-06013A | FIXER-WIRE; AW3-PJT,PP,NTR | SA | 2 |
| 10-7 | DA96-00676K | 3 | RC049 | DA61-06062A | PLATE-EVAP BRACKET REF; HERMES/GUGGENHEIM | SA | 1 |
| 11 | DA90-05740D | 2 | RI273 | DA97-05065B | ASSY-COVER DEODORIZER R; HERMES,-,-,- | SA | 1 |
| 11-1 | DA97-05065B | 3 | RG022 | DA02-90106R | CATALYST-LTC; ALL,T5,W40,L40 | SA | 1 |
| 11-2 | DA97-05065B | 3 | RG131 | DA63-03606A | COVER-DEODORIZER R; HERMES,PP,-,-,-,-,-,C | SA | 1 |
| 12 | DA90-05740D | 2 | RG130 | DA63-03605A | COVER-DEODORIZER L; HERMES,PP,-,-,-,-,-,C | SA | 1 |
| 13 | DA90-05747D | 2 | RI043 | DA97-08536A | ASSY TANK WATER; HM10,ASSY,NTR | SA | 1 |
| 14 | DA90-05747D | 2 | RI070 | DA29-10105J | FILTER WATER-ASSY; -,SBS ALL,-,-,-,-,-,-,-, | SNA | 1 |
| 15 | DA90-05747D | 2 | RI069 | DA97-05926U | ASSY-INSTALL FILTER; HM | SA | 1 |
| 15-1 | DA97-05926U | 3 | RK409 | DA62-00159C | PIPE-WATER LINE; ZIPEL,LLDPE,ID4.30,OD6.3 | SA | 1 |
| 15-2 | DA97-05926U | 3 | RC001 | DA62-01329A | PIPE-CONNECT WATER PACKING; ET-PJT,BRASS, | SA | 1 |
| 15-3 | DA97-05926U | 3 | RH710 | DA65-20110B | CLAMP; -,NY-66,-,-,-,DN-5N,PI8.0 | SA | 8 |
| 15-4 | DA97-05926U | 3 | | DA80-00002F | WRENCH-SPANNER; AW3,SM45C,Zn PLATING | SA | 1 |
| 16 | DA90-05740D | 2 | RE355 | DA67-40322A | TRAY-EGG; SR-51.55.59,GPPS,-,-,-,-,-,-,- | SA | 1 |

3. Cabinet Unit

Exploded View



Parts List

| No. | Parent | Lvl. | Loc. | Material Code | Description & Specification | SNA | Qty. |
|-----|-------------|------|-------|---------------|--|-----|------|
| 1 | DA90-05943E | 2 | RO044 | DA97-04980L | ASSY COVER HINGE-UPP L; HERMES,T2.5,NOBLE | SA | 1 |
| 1-1 | DA97-04980L | 3 | RK166 | DA63-03529L | COVER-HINGE UPP L; HEMRES,HIPS,T2.5,-,-,- | SA | 1 |
| 1-2 | DA97-04980L | 3 | RK819 | DA34-00043A | SWITCH REED-ASS'Y; 200VDC,1.5,- | SA | 1 |
| 2 | DA90-05943E | 2 | RO129 | DA61-03354A | HINGE-UPP L; HERMES,SHP1,T3.0,-,-,BLACK,- | SA | 1 |
| 3 | DA90-05943E | 2 | RO045 | DA97-04979L | ASSY COVER HINGE-UPP R; HERMES,T2.5,NOBLE | SA | 1 |
| 3-1 | DA97-04979L | 3 | RO267 | DA63-03530L | COVER-HINGE-UPP R; HEMRES,HIPS,T2.5,-,-,- | SA | 1 |
| 3-2 | DA97-04980L | 3 | RK819 | DA34-00043A | SWITCH REED-ASS'Y; 200VDC,1.5,- | SA | 1 |
| 4 | DA90-05943E | 2 | RO128 | DA61-03355A | HINGE-UPP R; HERMES,SHP1,T3.0,-,-,BLACK,- | SA | 1 |
| 5 | DA90-05943E | 2 | RO037 | DA97-04107C | ASSY HINGE LOW-L; HERMES,T4.5,SHIM-HINGE | SA | 1 |
| 5-1 | DA97-04107C | 3 | RO433 | DA61-02891A | HINGE-LOW FRE; ET-PJT,SHP1,T4.5,W54.6,L57 | SA | 1 |
| 5-2 | DA97-04107C | 3 | RR980 | DA66-00343A | CAM-RISER; USP05(ATOP,ET),NY-66(2110R),BL | SA | 1 |
| 6 | DA90-05943E | 2 | RO038 | DA97-04354C | ASSY HINGE-LOW R; HM09,SHP1+SM45C,T4.5,ZP | SA | 1 |
| 6-1 | DA97-04354C | 3 | RO436 | DA61-02966A | HINGE-LOW, R; SAPPHIRE-PJT,SHP1+SM45C,T4. | SA | 1 |
| 6-2 | DA97-04354C | 3 | RR981 | DA66-00401A | CAM-RISER; SAPPHIRE-PJT,NY-66,BLACK,2110R | SA | 1 |
| 7 | DA97-08325G | 3 | RO100 | DA61-00805F | FOOT-FRONT; REF-ALL,PP+MSWR10,BLACK,PP_S | SA | 2 |
| 8 | DA90-05938B | 2 | RH003 | DA97-03869G | ASSY TRAY-DRAIN WATER; HERMES-PJT,W242.3, | SA | 1 |
| 8-1 | DA97-03962E | 4 | RH022 | DA63-40128A | GROMMET-SUB COND; -,NBR,-,-,-,-,-,DARK- | SA | 2 |
| 8-2 | DA97-03869G | 3 | RW002 | DA97-03962E | ASSY PIPE-SPIRAL COND; HERMES-PJT,VE | SA | 1 |
| 8-3 | DA97-03869G | 3 | RH885 | DA63-03069B | TRAY DRAIN-WATER; HERMES-PJT,PP SCRAP,-,W | SA | 1 |
| 8-4 | DA97-03962E | 4 | RH046 | DA61-02795A | BRACKET-CONDENSER UP; ET/A-TOP_VE,SCP1,T1 | SA | 3 |
| 9 | DA90-05747D | 2 | RM019 | DA71-20207A | FIXER-VALVE WATER A; SR-S7180,NY-6,OD7.8 | SA | 2 |
| 10 | DA90-05943E | 2 | RR963 | 6011-001656 | BOLT-HEX; HWH,M6,L16,ZPC(WHT),SWRCH18A,MA | SA | 6 |
| 11 | DA90-05996E | 2 | RO505 | DA61-03036D | BRACKET-HINGE LOW; A-TOP 06,AL(6063),-,-, | SA | 1 |

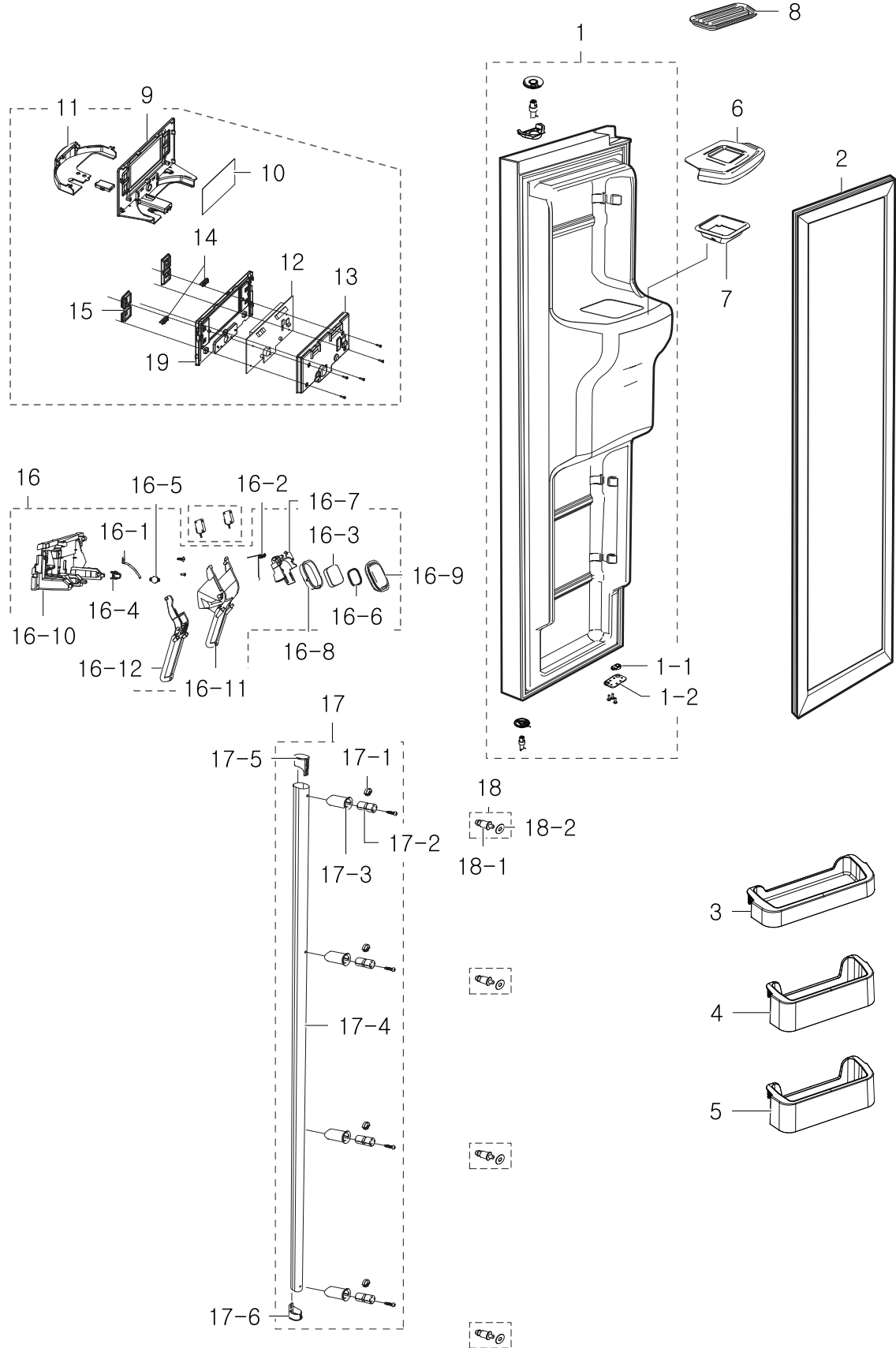
| No. | Parent | Lvl. | Loc. | Material Code | Description & Specification | SNA | Qty. |
|------|-------------|------|-------|----------------|---|-----|------|
| 12 | DA90-05938B | 2 | RH002 | ENV4A5GL2J/E01 | COMPRESSOR,BLDC IPM,15.32CC,220-240V,FAN; COMPRESSOR,BLDC IPM,15.32CC,220-240V,FAN | SA | 1 |
| 13 | DA90-05938B | 2 | RR965 | DA60-20008A | BOLT-HEX; S25C,M6,L42.6,WHITE,ZPC | SA | 4 |
| 14 | DA90-05938B | 2 | RH070 | DA97-10848B | ASSY COMP-SUB; MASSIMO GLOBAL(R),4TM308RF | SA | 1 |
| 14-1 | DA97-10848B | 3 | RH741 | DA39-00154C | WIRE HARNESS-COMP; USP,PVC_TUBE,-,5,-,- | SC | 1 |
| 14-2 | DA97-10848B | 3 | RO354 | DA34-00004B | RELAY PROTECTOR O/L; 4TM308RFBYY-82,BK190 | SA | 1 |
| 15 | DA90-05938B | 2 | RR856 | DA97-04045A | ASSY TUBE-DRAIN; ET-PJT,SOFT-PVC | SA | 2 |
| 16 | DA90-05938B | 2 | RO132 | DA97-03870B | ASSY SUPPORT-CIRCUIT MOTOR; ET/ATOP_VE,- | SA | 1 |
| 16-1 | DA97-03870B | 3 | RH039 | DA61-02355B | BRACKET-CIRCUIT MOTOR; ABS,NEXT,-,-,NTR | SA | 1 |
| 16-2 | DA97-03870B | 3 | RF412 | DA61-02788A | SUPPORT-CIRCUIT MOTOR; ET/A-TOP_VE,ABS,T2 | SA | 1 |
| 16-3 | DA97-05052P | 3 | RR066 | DA63-40167A | GROMMET-COVER CHIL; SILICON,L16,WHITE | SA | 1 |
| 16-4 | DA97-03870B | 3 | RR088 | DA31-00146B | MOTOR BLDC; DRCP5030LA,1560,-,DC12V,230mA | SC | 1 |
| 17 | DA90-05938B | 2 | RK180 | DA31-00010F | FAN-ASS'Y; SBS,ABS+GLASSFIBER, 150,3-Win | SA | 1 |
| 17-1 | DA31-00010F | 3 | RR029 | DA31-00015C | FAN-TURBO; -,ET-PJT,ABS+GLASS FIBE,-,GR-4 | SA | 1 |
| 17-2 | DA97-05052P | 3 | RR053 | DA61-20128A | SPRING ETC-FAN; STS304,PI8.8,ID7.8,OD9.8, | SA | 1 |
| 18 | DA90-05938B | 2 | RO002 | DA97-03971E | ASSY CHASSIS-COMP; HERMES,-,-,W255.5,L895 | SA | 1 |
| 18-1 | DA97-03971E | 3 | RR242 | DA61-04703A | CASTER-REAR; AW-PJT,PP,-,35,NTR,35,PP+TPE | SA | 2 |
| 18-2 | DA97-08325G | 3 | RH012 | DA61-01920A | CASTER-RIVET; (ZPC2),MSWR10,OD8.0,L54,-,- | SA | 1 |
| 19 | DA90-05747D | 2 | RF290 | DA97-05070A | ASSY-PIPE WATER FRE; HERMES,230V/10W,-,- | SC | 1 |
| 19-1 | DA97-05070A | 3 | RF059 | DA63-03629A | GROMMET-WATER PIPE FILL IN; HERMES,SILICO | SA | 1 |
| 19-2 | DA97-05070A | 3 | RK423 | DA62-01368A | PIPE-WATER LINE; -,LLDPE,4.2,6.35,1000,-, | SA | 2 |
| 20 | DA90-05747D | 2 | RO089 | DA97-02682A | ASSY VALVE WATER; EPEL,-,-,- | SA | 1 |
| 21 | DA90-05747D | 2 | RO347 | DA97-00979C | ASSY COVER-PIPE WATER; HERMES-PJT,PP RECY | SA | 1 |
| 21-1 | DA97-00979C | 3 | RO115 | DA63-00476B | COVER-PIPE WATER; HERMES-PJT,PP SCRAP,-,- | SA | 1 |

Exploded Views and Parts List

| No. | Parent | Lvl. | Loc. | Material Code | Description & Specification | SNA | Qty. |
|-----|---------------|------|-------|---------------|--|-----|------|
| 22 | DA90-05938B | 2 | RH083 | DA27-00019H | COIL FILTER-EMI; AW3-PJT,20mH,82*60,-25 ~ | SA | 1 |
| 23 | DA90-05943E | 2 | RO286 | DA63-05419A | COVER PCB-PANEL; HAEMIL_CULLI,GI-SGCC,T0. | SA | 1 |
| 24 | RSH5UTRS1/XES | 1 | RY475 | DA92-00349C | ASSY PCB MAIN; 13V,5V,LED DISPLAY,HERMES- | SA | 1 |
| 25 | RSH5UTRS1/XES | 1 | RO326 | DA92-00215A | ASSY PCB SUB INVERTER; 15,5V,Heamil 11,ES | SA | 1 |
| 26 | DA90-05938B | 2 | RC050 | DA62-02614D | DRYER-SINGLE; HAEMIL_10,C1220T,OD18.7,L11 | SA | 1 |
| 27 | DA90-05943E | 2 | RH001 | DA97-05202H | ASSY COVER-COMP; HERMES,SBHG1,T0.3,SEAL C | SA | 1 |
| 28 | DA90-05996E | 2 | RU397 | DA96-00938A | ASSY W/HARNES-MAIN; HM10-U(INV.), R(230V | SNA | 1 |
| 29 | DA90-05938B | 2 | RH015 | DA63-01866A | COVER RELAY; NORYL,T2.0,SSEC,BLACK,HOOK | SA | 1 |
| 30 | DA90-05938B | 2 | RE170 | DA96-00143B | ASSY EARTH; ATOP06,100~240V | SA | 1 |
| 31 | DA90-05943E | 2 | RO285 | DA61-04970D | CASE PCB-PANEL; HIPS,NTR | SNA | 1 |
| 32 | DA90-05938B | 2 | RT094 | DA97-02805J | ASSY PIPE CONNECT-SUCTION; GGH09 | SA | 1 |
| 33 | DA90-05946E | 2 | RK076 | DA39-10115D | CBF-POWER CORD; UCP-2,250V,10/16A,L2100,- | SA | 1 |
| 34 | DA90-05943E | 2 | RO287 | DA63-05031C | COVER-LEG FRONT; HM09,PP,STS-KP,55MM | SA | 1 |
| 35 | DA97-08325G | 3 | RM102 | DA64-02472A | TRIM-BLADE; HERMES-PJT,PVC,-,-,L375.2,NAT | SA | 1 |
| 36 | DA90-05747D | 2 | RY480 | DA61-03467B | FIXER-HOSE; AW-PJT,HIPS,NTR | SA | 1 |
| 37 | DA90-05996E | 2 | | DA97-05201B | ASSY CABI REAR FRAME; HERMES-PJT,ASSY,-,- | SNA | 1 |
| 38 | DA90-05938B | 2 | RH732 | DA63-02617A | GROMMET COMP; USP05,EPDM,OD18.5,BLACK | SA | 4 |
| 39 | DA97-08785B | 3 | | DA63-05447A | GROMMET-SUCTION PIPE; AW2,NBR,Gray | SNA | 1 |

4. Freezer Door

Exploded View



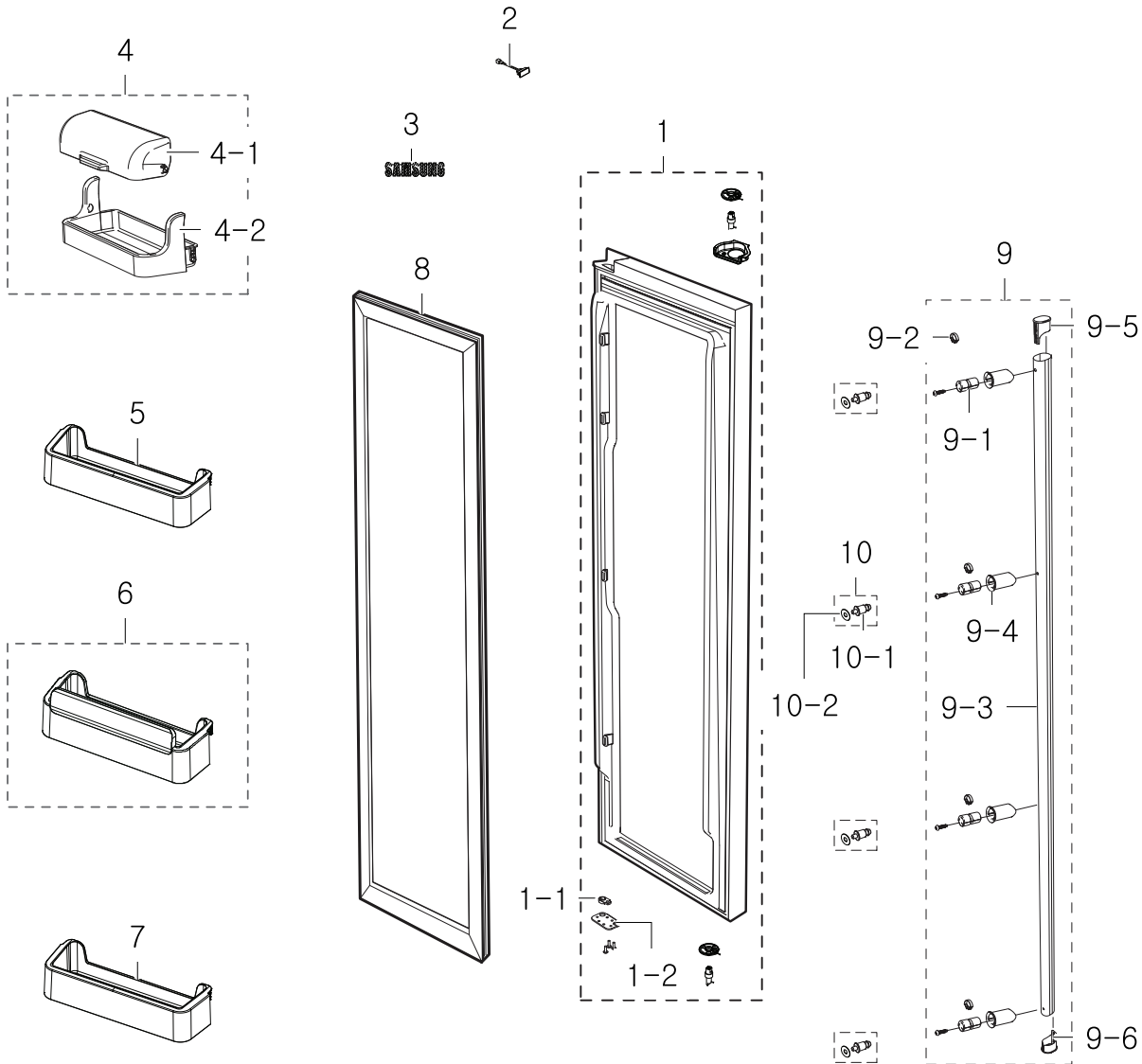
Parts List

| No. | Parent | Lvl. | Loc. | Material Code | Description & Specification | SNA | Qty. |
|------|-------------|------|-------|---------------|--|-----|------|
| 1 | DA90-05999E | 2 | RD001 | DA91-03638D | ASSY DOOR FOAM FRE; HM10-DISP,REAL STAINL | SA | 1 |
| 1-1 | DA97-05224E | 5 | RO105 | DA66-00344A | CAM-HINGE RISER LOW; USP05(ATOP,ET),NY-66 | SC | 1 |
| 1-2 | DA97-05224E | 5 | RE043 | DA61-00776A | STOPPER DOOR; N-PJT,SHP1,T3.0,-,-,-,- | SA | 1 |
| 2 | DA90-05934F | 2 | RR238 | DA97-04567D | ASSY-GASKET DOOR REF; A-TOP,SC-97487,-,- | SA | 1 |
| 3 | DA90-05944D | 2 | RD350 | DA63-03642B | GUARD-FRE TOP; HERMES PJT,PP,-,-,-,COOL W | SA | 1 |
| 4 | DA90-05944D | 2 | RK264 | DA63-03643A | GUARD-FRE LOW; HERMES PJT,PP,-,-,-,COOL W | SA | 1 |
| 5 | DA90-05944D | 2 | RK265 | DA63-03643B | GUARD-FRE LOW; HERMES PJT,PP,-,-,-,COOL W | SA | 1 |
| 6 | DA90-05944D | 2 | RD108 | DA63-03729C | GUARD-FRE SUB; HERMES,PP,-,-,-,COOL-WHITE | SA | 1 |
| 7 | DA90-05999E | 2 | RD266 | DA67-01667A | CAP-CHUTE ICE; HERMES,ABS,T1.8,-,-,SC-027 | SA | 1 |
| 8 | DA90-05999E | 2 | RO489 | DA63-03580X | TRAY DISPENSER; HERMES,ABS,T2.5,DISP,SC-0 | SA | 1 |
| 9 | DA97-10662V | 3 | RR163 | DA63-05054C | COVER-DISPENSER; HM09,ABS,VERSAILLES STS, | SA | 1 |
| 10 | DA97-10662V | 3 | RD052 | DA63-05063D | COVER-CONTROL WINDOW FRE; HM09,ACRYL,BLAC | SA | 1 |
| 11 | DA97-10662V | 3 | RD243 | DA64-02982C | BUTTON-DISPENSER; HM09,ABS,NOBLE GRAY,VER | SA | 1 |
| 12 | DA97-10662V | 3 | RD236 | DA63-05059A | GROMMET-BUTTON; HM09,SILICON,BLACK | SA | 2 |
| 13 | DA97-10662V | 3 | RD245 | DA63-05058B | COVER-PBA PANEL DISPENSER; HM10,HIPS,NTR | SA | 1 |
| 14 | DA97-10662V | 3 | RD286 | DA64-02983A | DECORATION-BUTTON CONTROL; HM09,ABS,NTR,P | SA | 2 |
| 15 | DA97-10662V | 3 | RD286 | DA64-02983A | DECORATION-BUTTON CONTROL; HM09,ABS,NTR,P | SA | 2 |
| 16 | DA90-05999E | 2 | RD463 | DA97-07774A | ASSY COVER-PCB PANEL REAR; HM09,ASSY,SAN(| SA | 1 |
| 16-1 | DA97-07774A | 3 | RD446 | DA61-01616A | SPRING ETC-LEVER DISP WATER; AD,STS304,-, | SA | 1 |
| 16-2 | DA97-07774A | 3 | RD050 | DA61-01651A | SPRING ETC-COVER ICE ROUTE; AD,STS304,1.0 | SA | 1 |
| 16-3 | DA97-07774A | 3 | RK678 | DA62-00058E | SEAL-COVER ICE,ROUTE; AD,FOAM-LEX,WHITE,T | SA | 1 |
| 16-4 | DA97-07774A | 3 | RD448 | DA61-01868B | BRACKET-OIL DAMPER; ABS,AD,-,-,-,NTR,- | SA | 1 |

| No. | Parent | Lvl. | Loc. | Material Code | Description & Specification | SNA | Qty. |
|-------|-------------|------|-------|---------------|--|-----|------|
| 16-5 | DA97-07774A | 3 | RO353 | DA61-01869A | OIL DAMPER; AD,POM,-,120g/Cm,-,OD15,-,- | SA | 1 |
| 16-6 | DA97-07774A | 3 | RK679 | DA62-00058F | SEAL-COVER ICE,ROUTE; AD,FOAM-LEX,WHITE,T | SA | 1 |
| 16-7 | DA97-07774A | 3 | RD359 | DA63-01970A | COVER-ICE ROUTE A; AD,ABS,T2.5,-,-,-,BL | SA | 1 |
| 16-8 | DA97-07774A | 3 | RD461 | DA63-01971B | COVER-ICE ROUTE B; AD,ABS,-,-,-,NATUR | SA | 1 |
| 16-9 | DA97-07774A | 3 | RD051 | DA63-01972A | GASKET-COVER ICE ROUTE; AD,SILICON,T1.5,- | SA | 1 |
| 16-10 | DA97-07774A | 3 | RO464 | DA63-03259C | COVER PCB-PANEL REAR; A-TOP 06,ABS(HG-076 | SA | 1 |
| 16-11 | DA97-07774A | 3 | RD283 | DA66-00684A | LEVER-DISPENSER ICE; HM09,SAN,NTR | SA | 1 |
| 16-12 | DA97-07774A | 3 | RD284 | DA66-00685A | LEVER-DISPENSER WATER; HM09,SAN,NTR | SA | 1 |
| 17 | DA90-05999E | 2 | RO600 | DA97-05074Z | ASSY-HANDLE BAR FRE; HERMES-PJT,-,-,MH/RS | SA | 1 |
| 17-1 | DA97-05074Z | 3 | RO587 | DA61-03636A | STOPPER-HANDLE; CULLINAN,SK5,-,-,-,- | SA | 4 |
| 17-2 | DA97-05074Z | 3 | RO485 | DA61-03726A | SUPPORT-HANDLE; HERMES,NY66,-,-,-,NTR,- | SA | 4 |
| 17-3 | DA97-05074Z | 3 | RO527 | DA67-02009A | CAP-SUPT HANDLE; HERMES-PJT,ABS,-,-,-,MAN | SA | 4 |
| 17-4 | DA97-05074Z | 3 | RO391 | DA64-02442C | HANDLE-BAR; HERMES,AL,-,-,1633,-,INOX,- | SA | 1 |
| 17-5 | DA97-05074Z | 3 | RK008 | DA67-01913A | CAP-HANDLE; HERMES,ABS,-,W20.8,L37.3,NEO | SA | 1 |
| 17-6 | DA97-05074Z | 3 | RK009 | DA67-01913B | CAP-HANDLE; HERMES,ABS,-,W20.8,L37.3,SILV | SA | 1 |
| 18 | DA90-05999E | 2 | RO170 | DA97-05529C | ASSY-BRACKET HANDLE; HREMES-PJT,SWCH10A,- | SA | 4 |
| 18-1 | DA97-05529C | 3 | RJ720 | DA63-03840A | GROMMET-HANDLE; HERMES,SILICON,T1,-,-,-,- | SA | 4 |
| 18-2 | DA97-05529C | 3 | RO171 | DA61-03725B | BRACKET-HANDLE; HERMES,SWCH10A,-,-,L31,-, | SA | 4 |
| 19 | DA97-10662V | 3 | RD285 | DA63-05057B | COVER-DISPENSER SUB; HM10,HIPS,NTR | SA | 1 |

5. Fridge Door

Exploded View



Parts List

| No. | Parent | Lvl. | Loc. | Material Code | Description & Specification | SNA | Qty. |
|-----|-------------|------|-------|---------------|--|-----|------|
| 1 | DA90-05934F | 2 | RE001 | DA91-02624W | ASSY DOOR-FOAM REF; H/M10-PJT,REAR-ST5,B, | SA | 1 |
| 1-1 | DA97-05224E | 5 | RO105 | DA66-00344A | CAM-HINGE RISER LOW; USP05(ATOP,ET),NY-66 | SC | 1 |
| 1-2 | DA97-05224E | 5 | RE043 | DA61-00776A | STOPPER DOOR; N-PJT,SHP1,T3.0,-,-,-,- | SA | 1 |
| 2 | DA97-04980L | 3 | RK819 | DA34-00043A | SWITCH REED-ASS'Y; 200VDC,1.5,- | SA | 1 |
| 3 | DA90-05946E | 2 | RO716 | DA64-03806A | MASCOT; ALL,NI,T0.05,L90 | SA | 1 |
| 4 | DA90-05944D | 2 | RE028 | DA97-07110A | ASSY GUARD-DAIRY; HERMES PJT,-,-,-,-,-,55 | SA | 1 |

| No. | Parent | Lvl. | Loc. | Material Code | Description & Specification | SNA | Qty. |
|------|-------------|------|-------|---------------|--|-----|------|
| 4-1 | DA97-07110A | 3 | RE386 | DA63-03534A | COVER-GUARD DAIRY; HERMES PJT,GPPS/HF2660 | SA | 1 |
| 4-2 | DA97-07110A | 3 | RE390 | DA63-04705A | GUARD-DAIRY; HERMES PJT,PP,T1.8,-,-,COOL | SA | 1 |
| 5 | DA90-05944D | 2 | RE469 | DA63-03639A | GUARD-REF TOP; HERMES PJT,PP,-,-,-,COOL W | SA | 1 |
| 6 | DA90-05944D | 2 | RE382 | DA63-03640A | GUARD-REF MID; HERMES PJT,PP,-,-,-,COOL W | SA | 1 |
| 7 | DA90-05944D | 2 | RE368 | DA63-03641A | GUARD-REF LOW; HERMES PJT,PP,-,-,-,COOL W | SA | 1 |
| 8 | DA90-05934F | 2 | RR238 | DA97-04567D | ASSY-GASKET DOOR REF; A-TOP,SC-97487,-,- | SA | 1 |
| 9 | DA90-05934F | 2 | RO178 | DA97-05073Z | ASSY-HANDLE BAR REF; HERMES-PJT,-,-,MH/RS | SA | 1 |
| 9-1 | DA97-05074Z | 3 | RO587 | DA61-03636A | STOPPER-HANDLE; CULLINAN,SK5,-,-,-,-,- | SA | 4 |
| 9-2 | DA97-05074Z | 3 | RO485 | DA61-03726A | SUPPORT-HANDLE; HERMES,NY66,-,-,-,NTR,- | SA | 4 |
| 9-3 | DA97-05074Z | 3 | RO391 | DA64-02442C | HANDLE-BAR; HERMES,AL,-,-,1633,-,INOX,- | SA | 1 |
| 9-4 | DA97-05074Z | 3 | RO527 | DA67-02009A | CAP-SUPT HANDLE; HERMES-PJT,ABS,-,-,-,MAN | SA | 4 |
| 9-5 | DA97-05074Z | 3 | RK008 | DA67-01913A | CAP-HANDLE; HERMES,ABS,-,W20.8,L37.3,NEO | SA | 1 |
| 9-6 | DA97-05074Z | 3 | RK009 | DA67-01913B | CAP-HANDLE; HERMES,ABS,-,W20.8,L37.3,SILV | SA | 1 |
| 10 | DA90-05999E | 2 | RO170 | DA97-05529C | ASSY-BRACKET HANDLE; HERMES-PJT,SWCH10A,- | SA | 4 |
| 10-1 | DA97-05529C | 3 | RO171 | DA61-03725B | BRACKET-HANDLE; HERMES,SWCH10A,-,-,L31,- | SA | 4 |
| 10-2 | DA97-05529C | 3 | RJ720 | DA63-03840A | GROMMET-HANDLE; HERMES,SILICON,T1,-,-,-,- | SA | 4 |